

02 - PER LA RICHIESTA DI PEZZI DI RICAMBIO - FOR SPARE PARTS ORDERS
 POUR LES COMMANDES DE PIÈCES DÉTACHÉES - FÜR ERSATZTEILBESTELLUNGEN

03 - TELAIO - FRAME - CHASSIS - RAHMEN

+7(812)987-08-81

05 - CARROZZERIA - OUTER CASE - CARROSSERIE - KAROSSERIE

07 - ASSIEME GRUPPO BE/04 - BREWING GROUP UNIT BE/04
 ENSEMBLE GROUPE DÉBIT BE/04 - BRÜHGRUPPENSATZ BE/04

09 - CALDAIA - BOILER - CHAUDIERE - KESSEL

11 - RUBINETTI - VALVE FAUCETS - ROBINETS - HAHN

13 - MASSELLO VALVOLE - VALVES UNIT
 GOUPE SOUPAPES - VERSORGUNGSVENTILGRUPPE

15 - CAPPUCCINATORE - MILK FROTHING DEVIC - GROUP LAIT - MILCHAUFSCHÄUMER

17 - SERBATOIO - WATER TANK - BAC A EAU - WASSERBEHÄLTER

19 - COMPONENTI ELETTRICI - ELECTRIC COMPONENTS
 COMPOSANTS ELECTRIQUES - ELEKTRISCHE BESTANDTEILE

REV. N°	DATA / DATE / DATUM	MODIFICA / CHANGE / MODIFICATION / VERÄNDERUNG
0 (BETA)	05/2007	EMISSIONE DOCUMENTO / DOCUMENT ISSUE ÉMISSION DE DOCUMENT / AUSGABE VON DOKUMENT
01	01/2008	REVISIONE GENERALE / GENERAL REVISION RÉVISION GÉNÉRALE / ALLGEMEINE REVISION
02	08/2008	SOSTITUITI CODICI SERBATOIO / REPLACED CODES TANK SUBSTITUÉS DES CODES RÉSERVOIR / ERSETZT VON DEN CODES BEHÄLTER

ВНИ ОЩЕТИ

vsezip.ru

+7(812)987-08-81

IMPORTANTE!

Per la richiesta dei pezzi di ricambio citare:

- Numero di codice del pezzo
- Denominazione
- Per i codici che presentano due asterischi * *, specificare il colore
- Quantità richiesta
- Pagina

MANCANDO I DATI RICHIESTI, L'ORDINE NON POTRÀ ESSERE EVASO

IMPORTANT!

For spare parts order, please mention:

- Spare part code number
- Denomination
- If you find code numbers with two asterisks * * please specify the requested color
- Requested quantity
- Page

IF REQUESTED DATA ARE MISSING, THE ORDER CANNOT BE EXECUTED

IMPORTANT!

Pour toutes commandes de pièces détachées, mentionner svp:

- Numero de référence
- Denomination
- Si les numeros de référence ont deux astérisques * *, spécifier la couleur
- Quantité demandée
- Page

LA COMMANDE NE POURRA PAS ÊTRE EXECUTÉE SANS CES DONNÉES

WICHTIG!

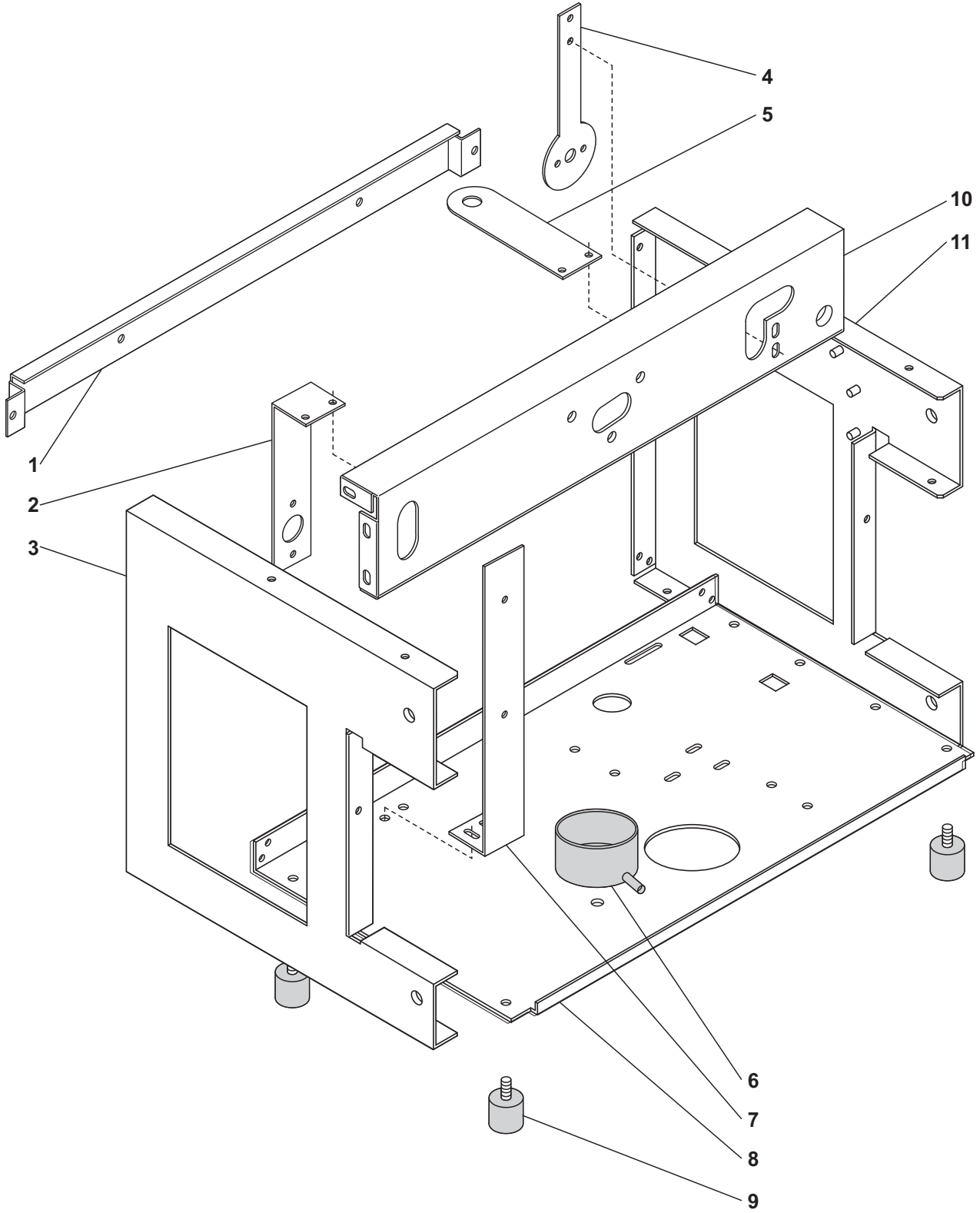
Jede Ersatzteilebestellung soll folgende Angaben beinhalten:

- Identnummer
- Bezeichnung
- Bei Identnummer mit zwei Asterisken * *, muß die Farbe angegeben werden
- Gewünschte Menge
- Seite

**DER AUFTRAG KANN NICHT BEARBEITET WERDEN,
WENN OBENGENANNT ANGABEN FEHLEN**

Numero di codice Code number Numero de référence Identnummer	Denominazione Denominatio Denomination Bezeichnung	Quantità Quantity Quantité Menge	Pagina Page Page Seite

+7(812)987-08-81



IT

D

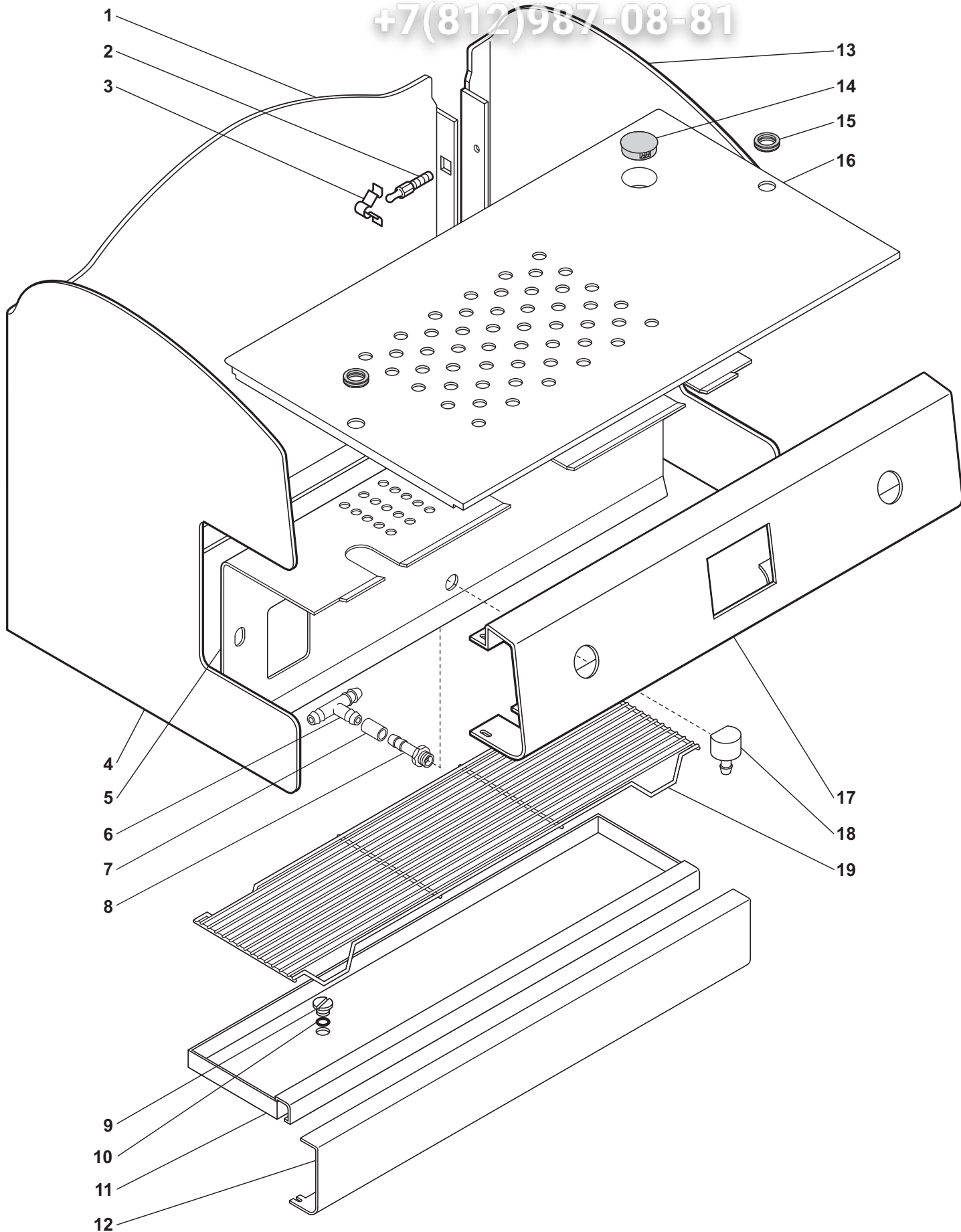
1 - 17736.0.00.01	TRAVERSA POSTERIORE	REAR CROSS TIE
2 - 18446.0.00.01	SQ.SUPPORTO MANOMETRO	MANOMETERS SUPPORT BRACKET
3 - 17734.0.79.01	SPALLA SINISTRA TELAIO	LET SHOULDER
4 - 17729.0.00.01	SQ.SUPPORTO SCATOLA INTERRUPTORE	SWITCH BOX SUPPORT BRACKET
5 - 17730.0.00.01	SQ.SUPPORTO PRESSOSTATO	PRESSURE SWITCH SUPPORT BRACKET
6 - 05933.2.06.01	VASCHETTA SCARICO	PLASTIC DRAIN TRAY
7 - 18447.0.00.01	SQUADRETTA SUPPORTO CALDAIA	BIOILER SUPPORTO BRACKET
8 - 17854.2.79.01	BASE TELAIO	FRAME BASE
9 - 04276.0.00.02	PIEDINO Ø25 H20	FOOT Ø25 H20
10 - 17735.0.79.01	TRAVERSA FRONTALE SUPP.GRUPPI	GRUOP SUPPORT FRONTAL CROSSTIE
11 - 17733.0.79.01	SPALLA DESTRA TELAIO	RIGHT SHOULDER

FR

GB

1 - 17736.0.00.01	BANDE POSTERIEUR	HINTER RAHMEN
2 - 18446.0.00.01	EQUERRE SUPPORT MANOMETRE	MANOMETER-HALTERWINKEL
3 - 17734.0.79.01	EPAULE GAUCHE	RAHMEN LINCHE SCHULTER
4 - 17729.0.00.01	EQUERRE SUPPORT BOITE INTERRUPTEUR	SCHUTZ SCHALTER HALTERWINKEL
5 - 17730.0.00.01	EQUERRE SUPPORT PRESSOSTAT	DRUCKWACHTER HALTERWINKEL
6 - 05933.2.06.01	COUVETTE DE VIDANGE	ABLAUFSWANNE
7 - 18447.0.00.01	EQUERRE SUPPORT CHAUDIRE	KESSEL HALTERWINKEL
8 - 17854.2.79.01	BASE DU CHASSIS	RAHMENBASIS
9 - 04276.0.00.02	PIED Ø25 H20	FUSS Ø25 H20
10 - 17735.0.79.01	CHASSIS ANTERIEUR SUPPORT GROUPE	FRONTRAHMEN GROUPE SUPPORT
11 - 17733.0.79.01	EPAULE DROIT	RAHMEN RECHTE SCHULTER

+7(812)987-08-81



vsezip.ru

IT

GB

1 - 17859.2.**.01	PANNELLO POSTERIORE	REAR PANNEL
2 - 10476.0.00.03	PERNO FISSAGGIO CARROZZERIA	OUTER CASE FIXING PIN
3 - 10475.0.00.03	MOLLA FISSAGGIO CARROZZERIA	OUTER CASE FIXING SPRING
4 - 17858.2.**.01	SPALLA SINISTRA	LEFT SHOULDER
5 - 17851.0.40.01	PANNELLO FRONTALE SOTTO GRUPPO	FRONTAL PANNEL
6 - 10185.0.00.02	PORTAGOMMA A T Ø 8 NYLON	"T" CONNECOTOR FRO PIPE Ø8
7 - 00304.0.00.04	TUBO SILICONE Ø 6X9	SILICONE PIPE Ø 6X9
8 - 00084.0.00.04	PORTAGOMMA DIRITTO G. 1/8	RIGHT PIPE CONNECTOR G.1/8
9 - 03460.0.00.04	TAPPO PER GRUPPO G.1/8	PLUG FOR GROUP G. 1/8
10 - 00851.0.00.02	OR 110	O-RING 110
11 - 17852.0.40.01	BACCINELLA DI SCARICO	DRAIN TRAY
12 - 18448.0.**.01	FASCIA PORTA BACCINELLA	DRAIN TRAY HOLDER BAND
13 - 17857.2.**.01	SPALLA DESTRA	RIGHT SHOULDER
14 - 18665.0.00.02	TAPPO PER FORO	PLUG FOR HOLE
15 - 01451.0.00.02	PASSACAVO PER GRIGLIA	GROMET FRO GRATE
16 - 17853.0.40.01	VASCA SCALDATAZZE	CUPE WARMEE BASIN
17 - 17856.0.**.01	FASCIA PORTA COMANDI P	"P" CONTROL HOLDER BAND
17855.0.**.01	FASCIA PORTA COMANDI DIGIT	"DIGIT" CONTROL HOLDER BAND
18 - 00063.0.10.04	RACCORDO A "L" CON INNESTO	ELBOW CONNECTOR
19 - 18445.2.44.01	GRIGLIA APPOGGIA TAZZA	GRATE FOR DRAIN TRAY

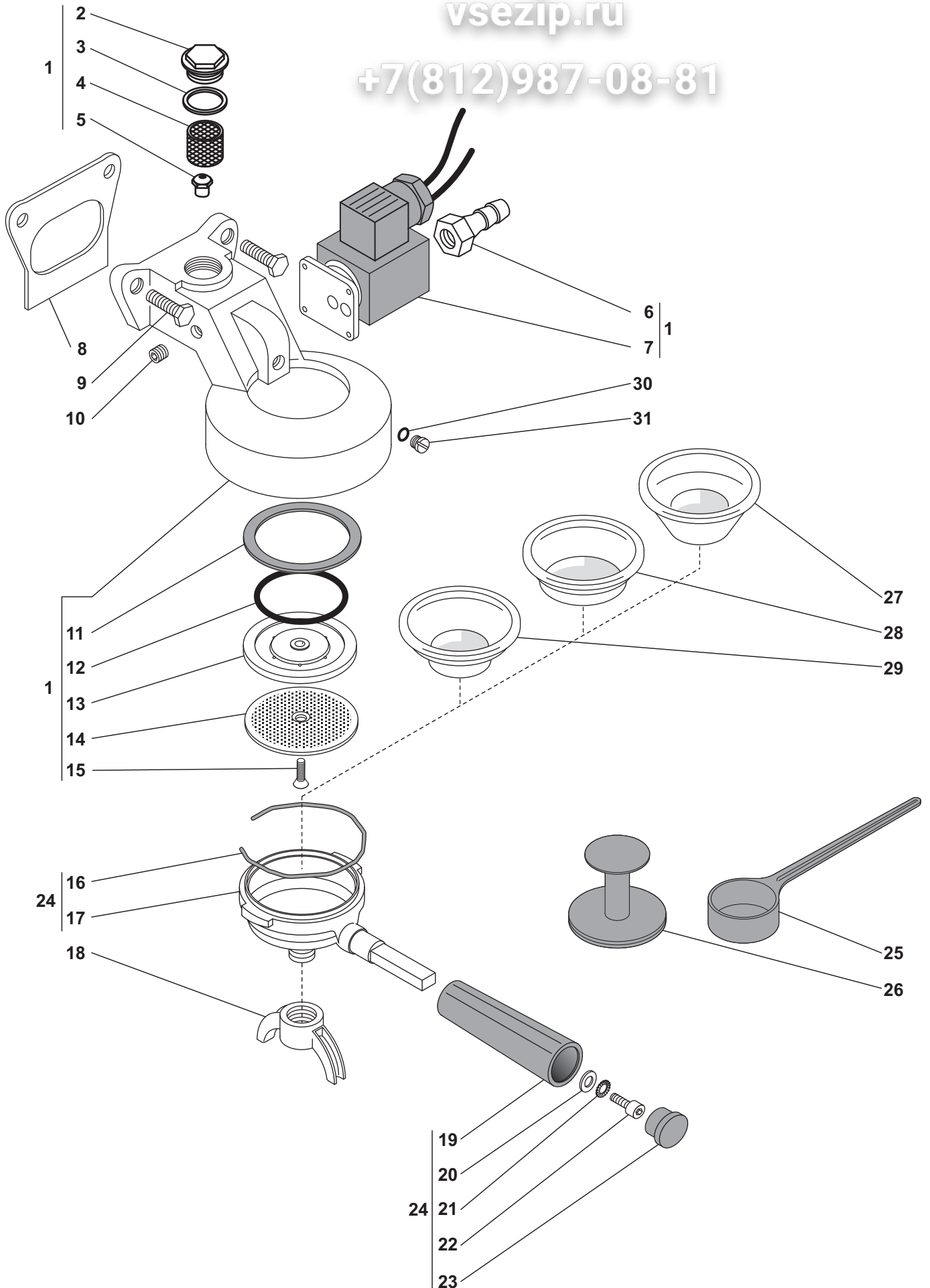
FR

D

1 - 17859.2.**.01	PANNEAU POSTERIEUR	REAR PANNEL
2 - 10476.0.00.03	PIVOT FIXATION CARROSSERIE	OUTER CASE FIXING PIN
3 - 10475.0.00.03	RESORT CARROSSERIE FIXATION	OUTER CASE FIXING SPRING
4 - 17858.2.**.01	EPAULE GAUCHE	LEFT SHOULDER
5 - 17851.0.40.01	PANNEAU ANTERIEUR	FRONTAL PANNEL
6 - 10185.0.00.02	"T" CONNECTOR FOR PIPE	"T" CONNECOTOR FRO PIPE
7 - 00304.0.00.04	TUYAU SILICONE Ø 6X9	SILICONE PIPE Ø 6X9
8 - 00084.0.00.04	CONNEXION TUYAU DROIT G. 1/8	RIGHT PIPE CONNECTOR G.1/8
9 - 03460.0.00.04	BOUCHON POUR GROUP G.1/8	PLUG FOR GROUP G.1/8
10 - 00851.0.00.02	O-RING 110	O-RING 110
11 - 17852.0.40.01	CUVETTE	DRAIN TRAY
12 - 18448.0.**.01	PANNEAU PORTE-CUVETTE	DRAIN TRAY HOLDER BAND
13 - 17857.2.**.01	EPAULE DROIT	RIGHT SHOULDER
14 - 18665.0.00.02	BOUCHON FOR TROU	PLUG FOR HOLE
15 - 01451.0.00.02	PASSE-CABLE FOR GRILLE	GROMET FRO GRATE
16 - 17853.0.40.01	CUVETE CHAUFFE-TASSES	CUPE WARMEE BASIN
17 - 17856.0.**.01	PORTECOMMANDES "P"	"P" CONTROL HOLDER BAND
17855.0.**.01	PORTACOMMANDES "DIGIT"	"DIGIT" CONTROL HOLDER BAND
18 - 00063.0.10.04	COUDE	ELBOW CONNECTOR
19 - 18445.2.44.01	GRILLE POUR CUVETTE	GRATE FOR DRAIN TRAY

vsezip.ru

+7(812)987-08-81



IT

vsezip.ru

GB

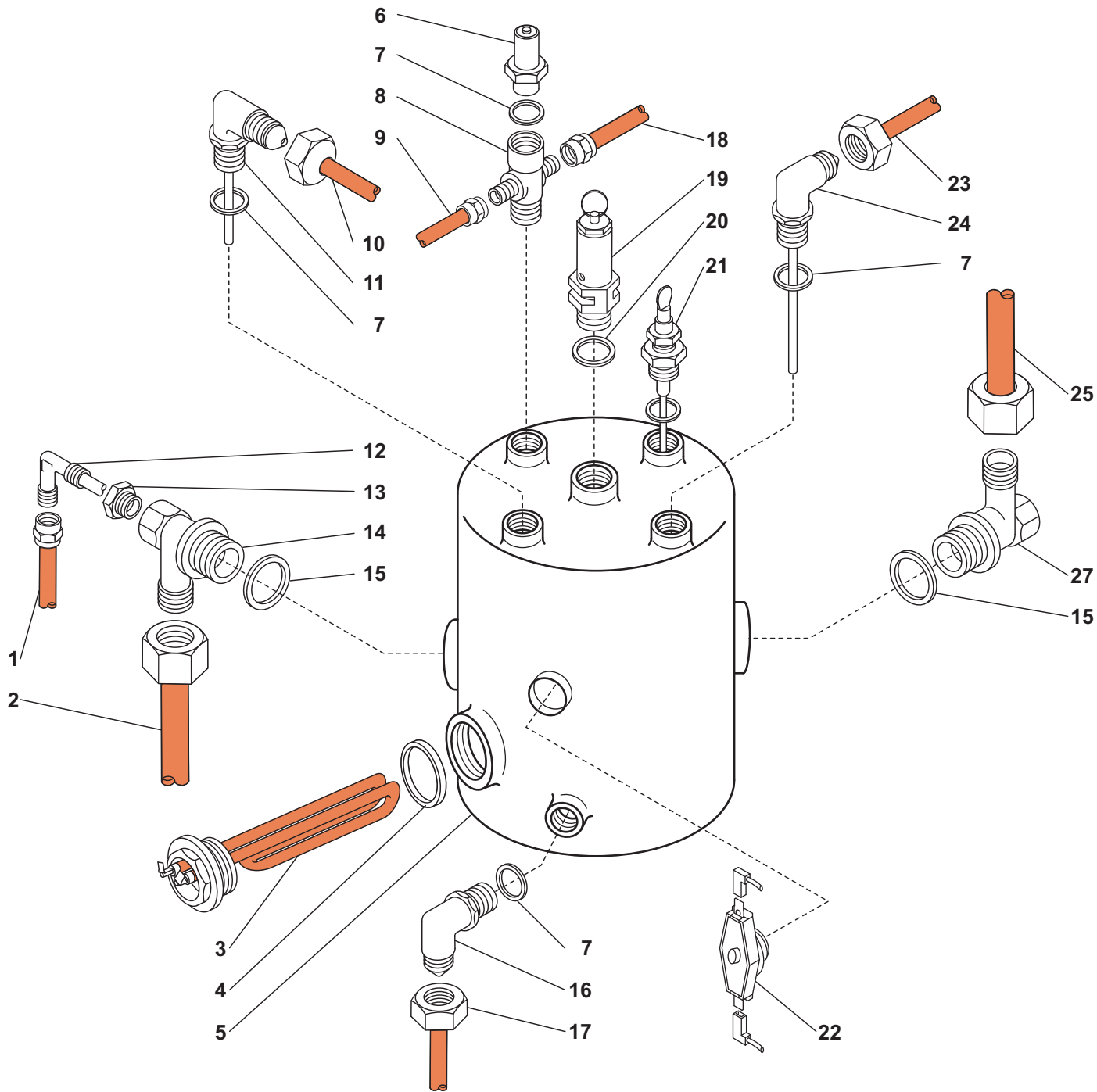
1 - 15837.4.00.09	ASSIEME GRUPPO BE/04 230V	GROUP ASSEMBLY
2 - 02106.0.00.04	TAPPO GRUPPO	PLUG FOR GROUP
3 - 01406.0.00.02	GUARNIZIONE PER TAPPO	GASKET
4 - 00086.0.00.04	FILTRO GICLEUR	GICLEUR FILTER
5 - 00046.0.00.04	GICLEUR 0,75 mm	GICLEUR 0.75mm
6 - 00180.0.00.04	RACCORDO SCARICO	OUTLET CONNECTOR
7 - 01947.4.00.08	ELETTROVALVOLA A 3 VIE 220V	3 WAYS SOLENOID VALVE 220V
8 - 00814.0.00.02	GUARNIZIONE ISOLANTE GRUPPO	GROUP INSULATING GASKET
9 - 01231.0.00.03	VITE TE M8 X 25	SCREW M8
10 - 07667.0.00.04	TAPPO PER GRUPPO 1/4	PLUG FOR GROUP 1/4
11 - 04408.0.00.02	GUARNIZIONE SOTTOCOPPA CON SCARICHI LATERALI H8	SUPPLEMENTARY FILTER HOLDER GASKET
12 - 03182.0.00.02	GUARNIZIONE OR 3187	GASKET O-RING 3187
13 - 04087.0.00.04	PORTADOCCIA	HOLDERSHOWER
14 - 00562.0.40.01	DOCCIA	SHOWER
15 - 01242.0.00.03	VITE TSP M5 X 14	SCREW M5
16 - 07835.0.00.03	MOLLA PER PORTAFILTRO Ø 1,3	FILTERHOLDER SPRING Ø1.3
17 - 00028.0.10.04	PORTAFILTRO	FILTERHOLDER
18 - 00036.0.00.04	BECCUCCIO A 2 VIE	2 WAYS SPOUT
19 - 06365.0.00.02	MANOPOLA PORTAFILTRO	SMOOTH HANDGRIP
20 - 01290.0.00.03	RONDELLA PIANA 8X12	WASHER 8X12
21 - 01291.0.00.03	RONDELLA RDE Ø 8,5	RDE WASHER Ø 8.5
22 - 02680.0.00.03	VITE TCEI M8X45	SCREW M8X45
23 - 06364.0.00.02	TAPPO PER MANOPOLA PORTAFILTRO	PLUG FOR FILTERHOLDER
24 - 18714.6.00.09	ASSIEME PORTAFILTRO MANOPOLA LISCIA	FILTERHOLDER ASSEMBLY
25 - 00782.0.00.02	MISURINO	COFFEE DOSER
26 - 00779.0.00.02	PRESSINO	COFFEE PRESSER
27 - 00564.0.40.01	FILTRO CIECO	BLIND FILTER
28 - 01703.0.40.01	FILTRO 2 TAZZE 12 GRAMMI	2 CAPS FILTER 12g.
00561.0.40.01	FILTRO 2 TAZZE 14 GRAMMI	2 CAPS FILTER 14g.
29 - 01702.0.40.01	FILTRO 1 TAZZA 6 GRAMMI	1 CAPS FILTER 6g.
00560.0.40.01	FILTRO 1 TAZZA 7 GRAMMI	1 CAPS FILTER 7g.
30 - 00851.0.00.02	OR 110	O-RING 110
31 - 03460.0.00.04	TAPPO PER GRUPPO G.1/8	PLUG FOR GROUP

FR

D

1 - 15837.4.00.09	GROUPE ENSEMBLY	BRÜHGRUPPE
2 - 02106.0.00.04	BOUCHON POUR GROUP	ZAPFEN FÜR GRUPPE
3 - 01406.0.00.02	JOINT POUR GROUP	DICHTUNG FÜR GRUPPE
4 - 00086.0.00.04	FILTRE GICLEUR	GRUPPENFILTER
5 - 00046.0.00.04	GICLEUR 0,75 mm	DUSE
6 - 00180.0.00.04	RACCORDO VIDANGE	ABLAUFVERBINDUNG
7 - 01947.4.00.08	ELECTROSOUPE 3 VOIES 220V	3 WEGE ELEKTROVENTIL 220V
8 - 00814.0.00.02	JOINT ISOLANT GROUPE	ISOLIERUNGSDICHTUNG
9 - 01231.0.00.03	VIS TE M8 X 25	SCHRAUBE M8X25
10 - 07667.0.00.04	BOUCHON POUR GROUP 1/4	ZAPFEN POUR GRUPPE
11 - 04408.0.00.02	JOINT PORTE-FILTRE H8	ZUSAETZLICHE SIEBTAEGERDICHTUNG
12 - 03182.0.00.02	JOINT OR 3187	OR 3187
13 - 04087.0.00.04	PORTE-DOUCHE	PORTEDUSCHE
14 - 00562.0.40.01	DOUCHE	DUSCHE
15 - 01242.0.00.03	VIS TSP M5 X 14	SCHRAUBE M5X14
16 - 07835.0.00.03	RESSORT POUR PORTE-FILTRE Ø 1,3	PORTEFILTERFEDER Ø1.3
17 - 00028.0.10.04	PORTE-FILTRE	PORTEFILTER
18 - 00036.0.00.04	BEC 2 VOIS	2-WEG TUELLE
19 - 06365.0.00.02	POIGNEE PORTE-FILTRE	GLATTER HANDGRIFF
20 - 01290.0.00.03	RONDELLE 8X12	ABSTANDSRING 8X12
21 - 01291.0.00.03	RONDELLE RDE Ø 8,5	ABSTANDSRING Ø 8.5
22 - 02680.0.00.03	VIS TCEI M8X45	SCHRAUBE M8X45
23 - 06364.0.00.02	BOUCHON POUR POIGNEE PORTE-FILTRE	ZAPFEN FÜR GLATTER HANDGRIFF
24 - 18714.6.00.09	ENSEMBLE PORTE-FILTRE	PORTEFILTERGRUPPE
25 - 00782.0.00.02	DOSEUR-CAFE	KAFFEEDOSIERER
26 - 00779.0.00.02	PRESSE-CAFE	KAFFEEPRESSER
27 - 00564.0.40.01	FILTRE AVEUGLE	BLINDFILTER
28 - 01703.0.40.01	FILTRE 2 VOIES 12 g.	FILTER 2 TASSEN 12 g
00561.0.40.01	FILTRE 2 VOIES 14 g.	FILTER 2 TASSEN 14 g
29 - 01702.0.40.01	FILTRE 1 VOIES 6 g.	FILTER 1 TASSEN 6 g
00560.0.40.01	FILTRE 1 VOIES 7 g.	FILTER 1 TASSEN 7 g
30 - 00851.0.00.02	JOINT OR 110	OR 110
31 - 03460.0.00.04	BOUCHON POUR GROUPE G.1/8	ZAPFEN FÜR GRUPPE

+7(812)987-08-81





+7(812)987-08-81



1 - 18596.2.00.04	TUBO MASSELLO-SCAMBIATORE	VALVE GROUP-HEAT EXCHANGER PIPE
18597.2.00.04	TUBO VENTOLINA-SCAMBIATORE	TURBINE-HEAT EXCHANGER PIPE 2ND GROUP
2 - 18589.2.00.04	TUBO RITORNO	BACK PIPE
3 - 01911.2.00.08	RESISTENZA 1350W 220V	RESISTANCE 1350W 220V
4 - 18661.2.00.02	GUARNIZIONE TEFLON	TEFLON GASKET
5 - 18586.2.00.04	CALDAIA 2,5 LT	BOILER 2.5 L
6 - 12402.4.00.09	ASSIEME VALVOLA VUOTO ARIA 2000	VALVE ASSEMBLY
7 - 01387.0.00.02	GUARNIZIONE RAME	COPPER GASKET
8 - 02176.0.00.04	RACCORDO A CROCE G.1/8-1/8-1/4M-1/4F	CROSS CONNECTOR G.1/8-1/8-1/4M-1/4F
9 - 18590.2.00.04	TUBO CALDAIA-MANOMETRO	BIOLER-MANOMETER PIPE
10 - 18588.2.00.04	TUBO PRELIEVO VAPORE	STEAM PIPE
11 - 18594.2.00.04	TUBO PESCANTE VAPORE	STEAM PIPE
12 - 00310.2.00.04	TUBO INIETTORE RACC. A "L" G.1/8-1/8	INJECTOR PIPE WITH "L" RACCORD
13 - 02020.0.00.04	RACCORDO DIRITTO G.1/8F-1/4M	STRAIGHT CONNECTOR
14 - 07408.0.00.04	RACCORDO RITORNO G. 1/2-1/2- G. 1/4	BACK PIPE FITTING G. 1/2-1/2-.G1/4
15 - 07788.0.00.02	GUARNIZIONE DN 22/G/H SP. 3mm	GASKET DN/G/H
16 - 00240.0.00.04	RACCORDO A "L" G. 1/4-1/4M	"L" RACCORD G. 1/4-1/4M
17 - 18595.2.00.04	TUBO CARICO CALDAIA	PIPE BOILER CHARGE
18 - 18593.2.00.04	TUBO CALDAIA-PRESSOSTATO	PRESSOSTAT-BOILER PIPE
19 - 12611.4.00.09	ASSIEME VALVOLA DI SICUREZZA	SAFETY VALVE UNIT
20 - 01386.0.00.02	GUARNIZIONE RAME	COPPER GASKET
21 - 18749.4.00.08	SONDA TL 10/B 90mm	TL PROBE 10/B
22 - 19186.2.00.08	TERMOSTATO	THERMOSTAT
23 - 18591.2.00.04	TUBO PRELIEVO ACQUA	WATER DRAWING PIPE
24 - 18592.2.00.04	TUBO PESCANTE ACQUA	WATER DRAWING PIPE
25 - 18587.2.00.04	TUBO ANDATA	INLET PIPE
27 - 07407.0.00.04	RACCORDO ANDATA G. 1/2-1/2	INLET RACCORD G.1/2-1/2

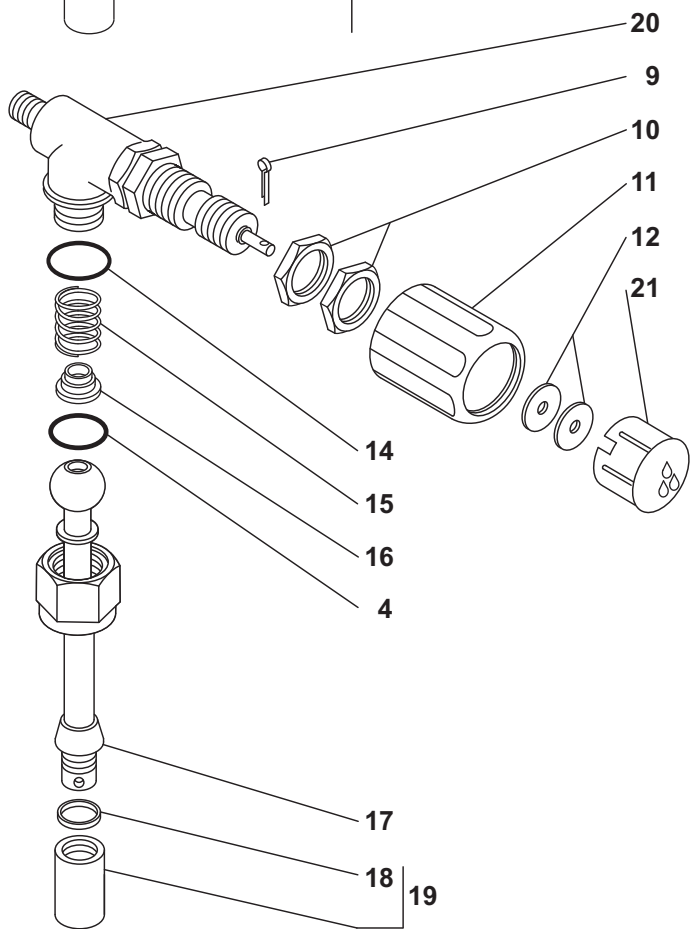
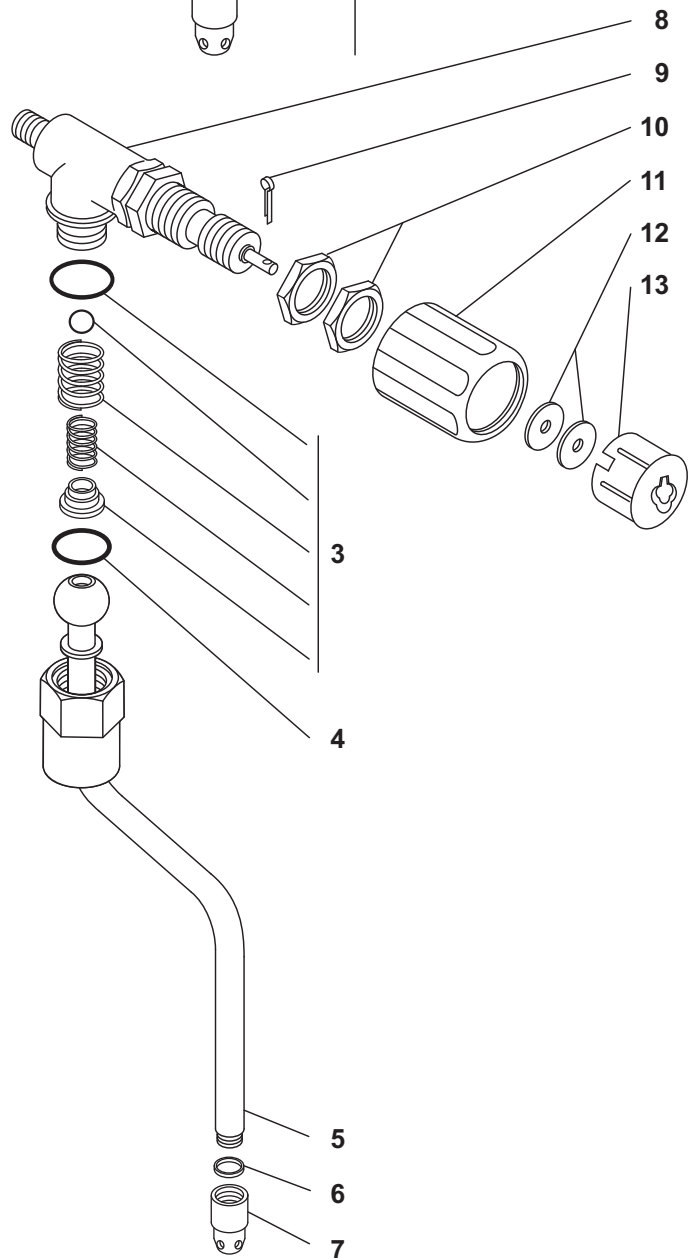
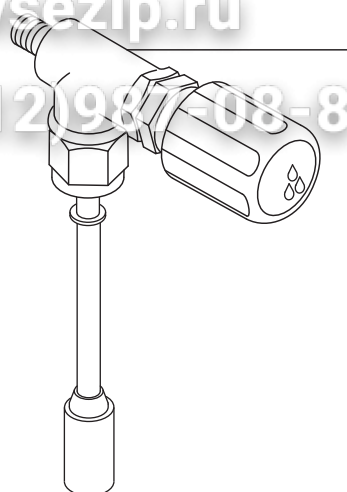
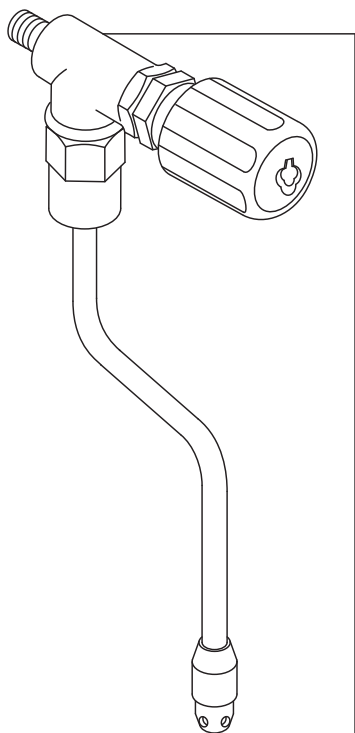


1 - 18596.2.00.04	TUYAU GROUPE SOUPAPES-ÉCHANGEUR
18597.2.00.04	TUYAUTURBINETTE-ÉCHANGEUR
2 - 18589.2.00.04	RETURN TUYAU
3 - 01911.2.00.08	RESISTANCE 1350W 220V
4 - 18661.2.00.02	GARNITURE TEFLON
5 - 18586.2.00.04	CHAUDIERE 2,5 LT
6 - 12402.4.00.09	ENSEMBLE SOUPAPE
7 - 01387.0.00.02	GARNITURE CUIVRE
8 - 02176.0.00.04	RACCORD A CROIX
9 - 18590.2.00.04	TUYAU CHAUDIERE-MANOMETRE
10 - 18588.2.00.04	TUYAU VAPEUR GAUCHE
11 - 18594.2.00.04	TUYAU VAPEUR GAUCHE
12 - 00310.2.00.04	TUYAU INJECTEUR "L"
13 - 02020.0.00.04	RACCORD DROIT G.1/8F-1/4M
14 - 07408.0.00.04	RACCORD RETOURN G. 1/2-1/2- G. 1/4
15 - 07788.0.00.02	GARNITURE DN 22/G/H SP. 3mm
16 - 00240.0.00.04	RACCORD "L" G. 1/4-1/4M
17 - 18595.2.00.04	TUYAU ALIMENTATION CHAUDIERE
18 - 18593.2.00.04	TUYAU PRESSOSTATER-CHAUDIERE
19 - 12611.4.00.09	ENSEMBLE SOUPAPE SECUTITE'
20 - 01386.0.00.02	GARNITURE CUIVRE
21 - 18749.4.00.08	SONDE TL 10/B 90mm
22 - 19186.2.00.08	THERMOSTAT
23 - 18591.2.00.04	TUYAU PRELEVEMENT EAU
24 - 18592.2.00.04	TUYAU PRELEVEMENT EAU
25 - 18587.2.00.04	TUYAU ALLER
27 - 07407.0.00.04	RACCORD ALLER G. 1/2-1/2



VENTILSGRUPPE-WÄRMEAUSTAUCHERROHR
VENTILSGRUPPE-DURCHFLUSSGEBEREINHEITSROHR
RUCKGANGSROHR
WIDERSTAND 3500W.220V
DICHTUNGTEFLON
KESSEL 2.5L
RUCKSCHLAGVENTIL 3/8 - 1/4
KUPFER DICHTUNG
KREUZ ANSCHLUSS
ROHR MANOMETER-KESSEL
LINKES DAMPFROHR
LINKES DAMPFROHR
INJEKTORROHR "L"
RECHTE VERBINDUNG
RUCKRECHTE
DICHTUNG DN 22/G/H SP. 3mm
VERBINDUNG "L" G.1/4
KESSEL SPEISUNGSROHR
ROHR KESSEL-DRUCKWACHTER
SICHERHEITSVENTIL C10
KUPFERDICHTUNG
SONDE TL 10/B 90mm
THERMOSTAT
WASSERANZAPFUNGSROHR
WASSERANZAPFUNGSROHR
EINGANGSROHR
EINGANGSVERBINDUNG

+7(812)987-08-81



IT

GB

1 - 15603.4.00.09	ASSIEME RUBINETTO VAPORE	STEAM TAP ASSEMBLY
2 - 15602.4.00.09	ASSIEME RUBINETTO ACQUA	WATER TAP ASSEMBLY
3 - 17285.4.00.09	KIT VALVOLA DI RITEGNO	VALVE ASSEMBLY
4 - 07001.0.00.02	OR R10	O-RING R10
5 - 16820.2.10.04	TUBO VAPORE	STEAM PIPE
17078.2.40.04	TUBO VAPORE ROMA OR	ROMA OR STEAM PIPE
6 - 01405.0.00.02	GUARNIZIONE TEFLON	TEFLON GASKET
7 - 16818.0.10.04	BECCUCCIO VAPORE	STEAM NOZZLE
11097.2.10.04	BECCUCCIO VAPORE ROMA OR	ROMA OR STEAM NOZZLE
8 - 17282.4.00.09	RUBINETTO VAPORE	STEAM FAUCETS
9 - 12185.0.00.03	COPIGLIA Ø 2X10	SPLIT PIN Ø 2X10
10 - 13974.0.00.04	GHIERA 1/2" OTTONE	BRASS NUT 1/2"
11 - 16883.0.00.02	MANOPOLA	HANDGRIP
12 - 16101.0.00.03	RONDELLA PIANA Ø 6X20X1,6	WASHER Ø6X20X1,6
13 - 16884.0.00.02	TAPPO MANOPOLA VAPORE	STEAM HANDGRIP PLUG
14 - 06370.0.00.02	OR 121	O-RING 121
15 - 07060.0.00.03	MOLLA	SPRING
16 - 06508.0.00.04	BUSSOLA GUIDA MOLLA	SPRING GUIDE BUSH
17 - 16819.2.10.04	TUBO ACQUA	WATER PIPE
17077.2.40.04	TUBO ACQUA ROMA OR	ROMA OR WATER PIPE
18 - 05823.2.00.02	GUARNIZIONE PER ROMPIGETTO	GASKET FOR NOZZLE FILTER
19 - 05004.4.00.09	ASSIEME ROMPIGETTO	NOZZLEFILTER ASSEMBLY
20 - 17281.4.00.09	RUBINETTO ACQUA	WATER FAUCET
21 - 16885.0.00.02	TAPPO MANOPOLA ACQUA	WATER HANDGRIP PLUG

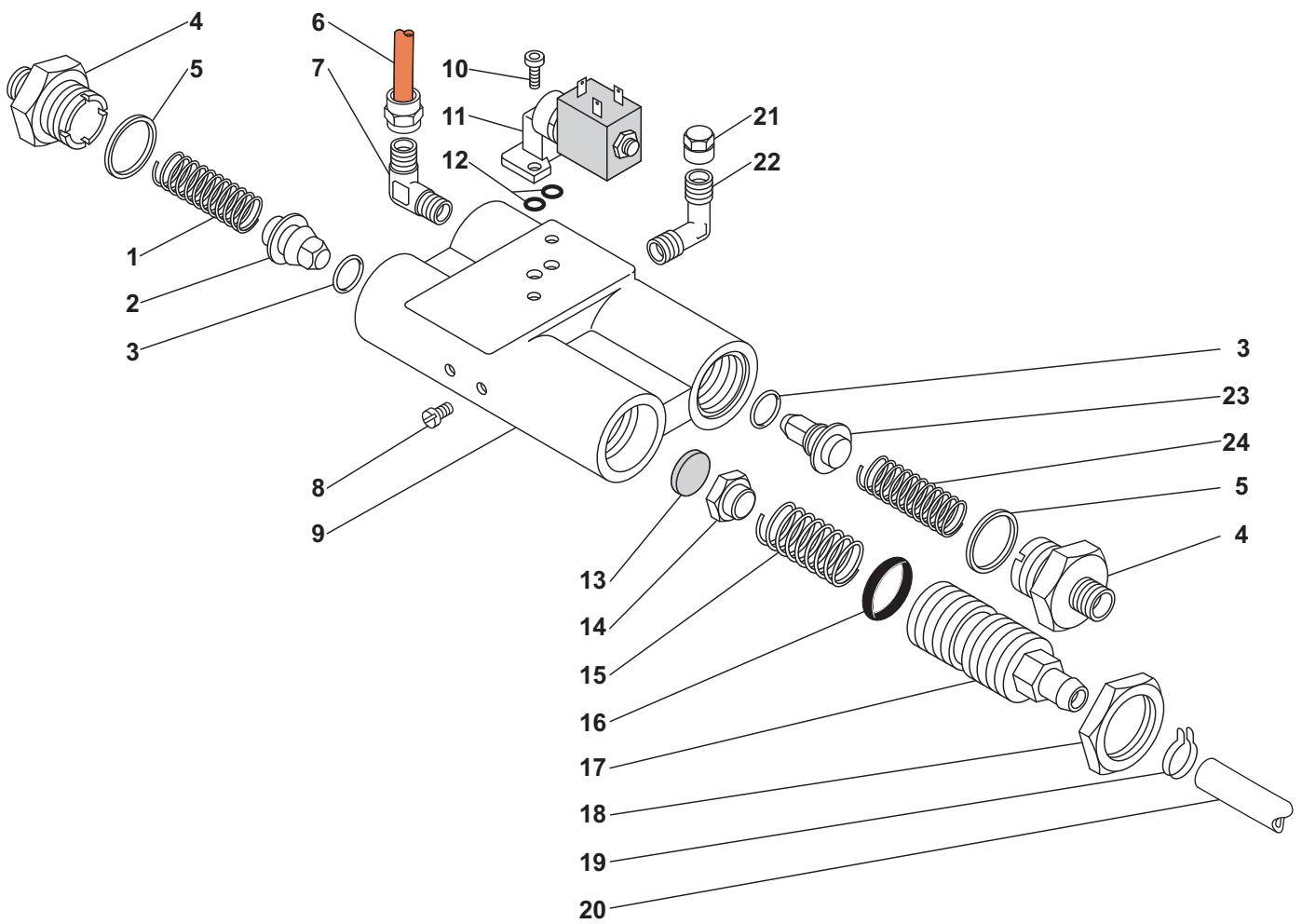
FR

D

1 - 15603.4.00.09	ENSEMBLE ROBINET VAPEUR	DAMPFHÄHNHEIT
2 - 15602.4.00.09	ENSEMBLE ROBINET EAU	WASSERHÄHNHEIT
3 - 17285.4.00.09	ENSEMBLY SOUPAPE	RUCKSCHLAGVENTIL
4 - 07001.0.00.02	JOINT OR R10	OR R10
5 - 16820.2.10.04	TUYAU VAPEUR	DAMPFROHR
17078.2.40.04	TUYAU VAPEUR ROMA OR	DAMPFROHR ROMA OR
6 - 01405.0.00.02	GARNITURE TEFLON	DICHTUNG TEFLON
7 - 16818.0.10.04	BEC VAPEUR	DAMPFTUELLE
11097.2.10.04	BEC VAPEUR ROMA OR	DAMPFTUELLE ROMA OR
8 - 17282.4.00.09	ROBINET VAPEUR	DAMPF HAHN
9 - 12185.0.00.03	GOUPILLE FENDUE Ø 2X10	SPLINT Ø 2X10
10 - 13974.0.00.04	GHIERE 1/2" LAITON	RING 1/2" MESSING
11 - 16883.0.00.02	POIGNEE	KNOPF
12 - 16101.0.00.03	RONDELLE Ø 6X20X1,6	ABSTANDSRING Ø 6X20X1,6
13 - 16884.0.00.02	BOUCHON POIGNEE VAPEUR	DAMPFKNOPFZAPFEN
14 - 06370.0.00.02	JOINT OR 121	OR 121
15 - 07060.0.00.03	RESSORT	FEDER
16 - 06508.0.00.04	DOUILLE GUIDE RESSORT	BUCHSE GUIDE FEDER
17 - 16819.2.10.04	TUYAU EAU	EAU ROHR
17077.2.40.04	TUYAU EAU ROMA OR	EAU ROHR ROMA OR
18 - 05823.2.00.02	GARNITURE POUR BRISE GET	DICHTUNG FÜR STRAHLENBRECHER
19 - 05004.4.00.09	ENSEMBLE BRISE GET	STRAHLENBRECHER GRUPPE
20 - 17281.4.00.09	ROBINET EAU	EAU HAHN
21 - 16885.0.00.02	BOUCHON POIGNEE EAU	WASSERKNOPFZAPFEN

vsezip.ru

+7(812)987-08-81



MASSELLO VALVOLE
3 VALVES UNIT
GOUPE SOUPAPES
VERSORGUNGSVENTILGRUPPE

14

vsezip.ru

IT

GB

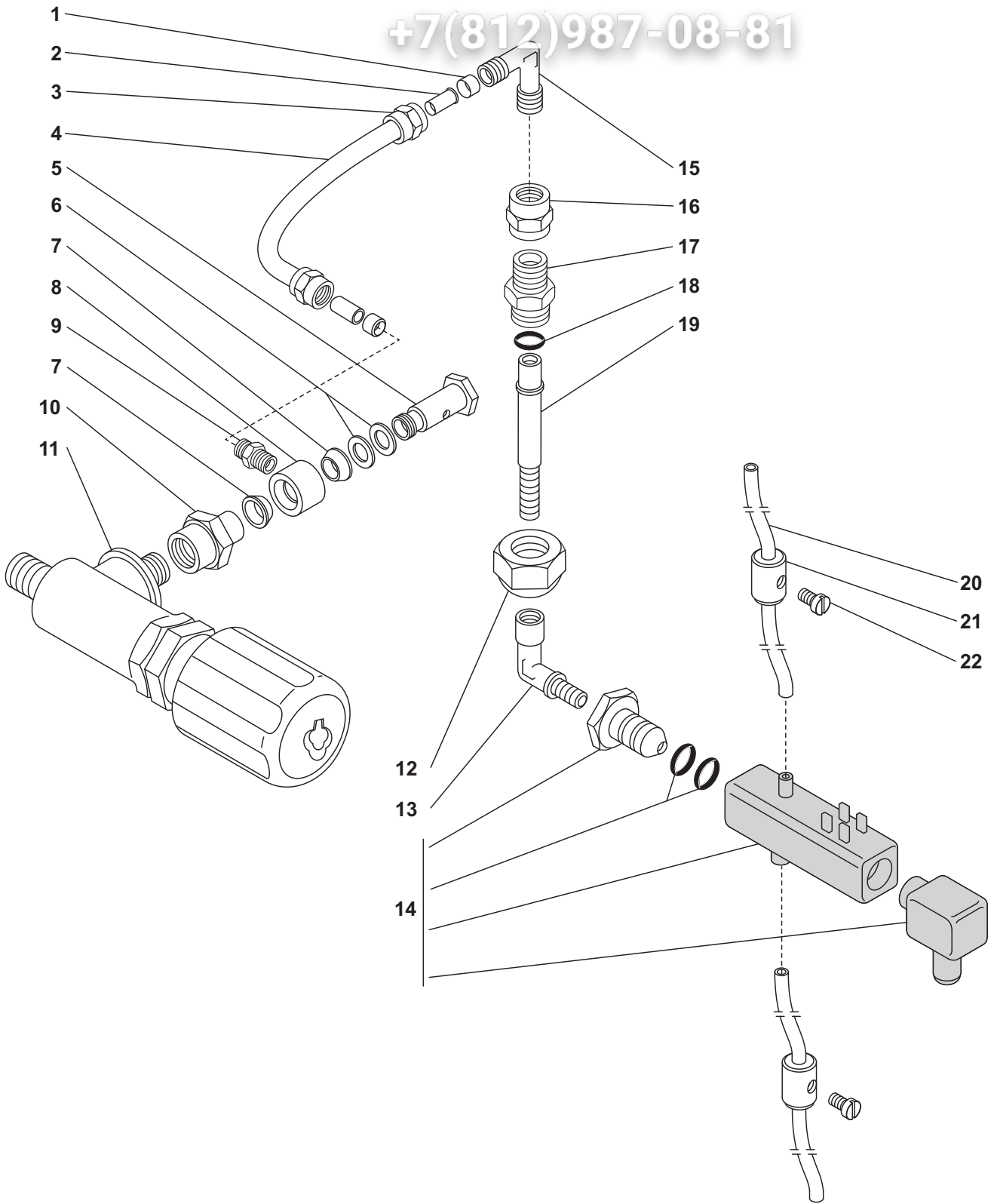
1 - 05538.0.00.03	MOLLA VALVOLA RITEGNO TIPO CORTO	VALVE SPRING SHORT TYPE
2 - 00078.0.00.04	CORPO VALVOLA RITEGNO TIPO CORTO	VALVE BODY SHORT TYPE
3 - 00847.0.00.02	GUARNIZIONE OR R 6 A	GASKET OR R6 A
4 - 00070.0.00.04	RACCORDO DIRITTO G. 1/4 - 3/8M	STRAIGHT CONNECTOR
5 - 00820.0.00.02	GUARNIZIONE IN TEFLON	TEFLON GASKET
6 - 01547.2.00.04	TUBO DA POMPA A CALDAIA	PUMP-BOILER PIPE
7 - 00226.0.00.04	RACCORDO A L G. 1/4M-1/8M	"L" CONNECTOR
8 - 03822.0.00.03	VITE TCTC M4X4	SCREW M4X4
9 - 06228.0.00.04	CORPO MASSELLO	UNIT BODY
10 - 03779.0.00.03	VITE TCEI M3 X 10	SCREW M3X10
11 - 09436.4.00.08	ELETTROVALVOLA A 2 VIE 230V	2 WAYS SOLENOID VALVE 230V
09435.4.00.08	ELETTROVALVOLA A 2 VIE 115V	2 WAYS SOLENOID VALVE 150V
12 - 00833.0.00.02	OR 105	OR 105
13 - 01365.0.00.02	GUARNIZIONE Ø 11X3	GASKET Ø 11X3
14 - 02006.0.00.04	PORTA GUARNIZIONE PER VALVOLA ESPANSIONE	GASKET HOLDER
15 - 00884.0.00.03	MOLLA PER VALVOLA ESPANSIONE	VALVE SPRING
16 - 00840.0.00.02	OR 119	OR 119
17 - 04270.0.00.04	RACCORDO REGOLAZIONE VALVOLA ESPANSIONE	REGULATION VALVE CONNECTOR
18 - 00067.0.00.04	DADO DI BLOCCAGGIO PER VALVOLA ESPANSIONE	EXPANSION VALVE NUT
19 - 00861.0.00.03	FASCIA A MOLLA STRINGITUBO	SPRING WRAP
20 - 00304.0.00.04	TUBO SILICONE Ø 6X9	SILICONE PIPE Ø 6X9
21 - 00234.0.00.04	TAPPO G. 1/8F	PLUG G. 1/8
22 - 00217.0.00.04	RACCORDO A L G. 1/8 - 1/8M	"L" CONNECTOR G. 1/8-1/8M
23 - 05595.0.00.04	CORPO VALVOLA RITEGNO TIPO LUNGO	VALVE BODY ALONG TYPE
24 - 00870.0.00.03	MOLLA VALVOLA RITEGNO TIPO LUNGO	VALVE SPRING ALONG TYPE

FR

D

1 - 05538.0.00.03	RESSORT SOUPAPE DE RETENUE TYPE COURT	KURZRUCKSCHLAGVENTILSFEDERE
2 - 00078.0.00.04	CORPS SOUPAPE DE RETENUE TYPE COURT	KURZRUCKSCHLAGVENTILSKORPER
3 - 00847.0.00.02	GARNITURE OR R 6 A	DICHTUNG OR 6 A
4 - 00070.0.00.04	RACCORD DROIT G. 1/4 - 3/8M	RECHTEVERBINDUNG
5 - 00820.0.00.02	GARNITURE TEFLON	TEFLONDICHTUNG
6 - 01547.2.00.04	TUYAU POMPE-CHAUDIÈRE	PUMPE-KESSEL RORH
7 - 00226.0.00.04	RACCORD "L" G. 1/4M-1/8M	"L" VERBINDUNG
8 - 03822.0.00.03	VIS TCTC M4X4	SCHRAUBE TCTC M4X4
9 - 06228.0.00.04	CORPS GROUPE SOUPAPES	VERSORGUNGSVENTILSGRUPPENKORPER
10 - 03779.0.00.03	VIS TCEI M3 X 10	SCRAUBE TCEI M3X10
11 - 09436.4.00.08	ELECTROSOUPAPE 2 VOIES 230V	2 WEG ELEKTROVENTIL V.230
09435.4.00.08	ELECTROSOUPAPE 2 VOIES 115V	2 WEG ELEKTROVENTIL V.150
12 - 00833.0.00.02	JOINT OR 105	OR 105
13 - 01365.0.00.02	GARNITURE Ø 11X3	DICHTUNG Ø11X3
14 - 02006.0.00.04	PORTE GARNITURE	DICHTUNG HALTER
15 - 00884.0.00.03	RESSORT SOUPAPE DE RETENUE	EXPANSIONSVENTILSFEDER
16 - 00840.0.00.02	JOINT OR 119	OR 119
17 - 04270.0.00.04	RACCORD SOUPAPE EXPANSION	EXPANSIONSVENTILSVERBINDUNG
18 - 00067.0.00.04	ECROU POUR SOUPAPE EXPANSION	MUTTER FUR EXPANSIONSVENTIL
19 - 00861.0.00.03	BANDE A RESSORT	FEDERBAND
20 - 00304.0.00.04	TUYAU SILICONE Ø 6X9	SILICONERORH
21 - 00234.0.00.04	BOUCHON G. 1/8F	STOPSEL G.1/8 - 1/8M
22 - 00217.0.00.04	RACCORD "L" G. 1/8 - 1/8M	"L" VERBINDUNG
23 - 05595.0.00.04	CORPS SOUPAPE DE RETENUE TYPE LONG	LANGERUCKSCHLAGVENTILSKORPER
24 - 00870.0.00.03	RESSORT SOUPAPE DE RETENUE TYPE LONG	LANGERUCKSCHLAGVENTILSFEDERE

+7(812)987-08-81



IT

GB

1 - 00221.0.00.04	BUSSOLA BLOCCAGGIO 6mm	LOCKING BUSH
2 - 00222.0.00.04	BUSSOLA DI RINFORZO 4mm	BRACING BUSH
3 - 00214.0.00.04	DADO BLOCCAGGIO G. 1/8-6	LOCKING NUT G.1/8-6
4 - 00303.0.00.04	TUBO RILSAN 6X4mm	RILSAN PIPE 6X4
5 - 00107.0.00.04	VITE SNODO RUBINETTO	ARTICULATION SCREW
6 - 01286.0.00.03	MOLLA A TAZZA	SPRING
7 - 00810.0.00.02	GUARNIZIONE CONICA PER RACCORDO DI TENUTA	CONICAL GASKET
8 - 10301.0.00.04	RACCORDO DI TENUTA ATTACCO G. 1/8"	TIGHTNESS CONNECTOR
9 - 00236.0.00.04	RACCORDO DIRITTO G. 1/8-1/8M L.20	STRAIGHT RACCORD
10 - 10304.0.00.04	RACCORDO 3/8-1/8F	RACCORD 3/8-1/8F
11 - 17282.4.00.09	RUBINETTO VAPORE	STEAM FAUCET
12 - 17395.0.00.04	GHIERA M 12X1	NUT M12X1
13 - 17396.0.00.04	RACCORDO A "L" M6	"L" RACCORD M6
14 - 17296.4.00.09	ASSIEME CAPPUCINATORE	MILK FROTHING DEVIC ASSEMBLY
15 - 00217.0.00.04	RACCORDO A L G. 1/8-1/8M	"L" RACCORD 1/8-1/8M
16 - 00074.0.00.04	RACCORDO DIRITTO G. 1/8-1/8F	STRAIGHT RACCORD G. 1/8-1/8F
17 - 17090.0.00.04	RACCORDO DIRITTO 1/8M-M12X1	STRAIGHT RACCORD G. 1/8M-M12X1
18 - 13624.0.00.02	OR 105	OR 105
19 - 17089.0.10.04	TUBETTO VAPORE CROMATO	STEAM PIPE
20 - 10623.0.00.04	TUBO SILICONE 3,5X6	SILICONE PIPE 3,5X6
21 - 10175.0.00.02	ANELLO REGOLAZIONE FLUSSO	FLOW REGULATION RING
22 - 09794.0.00.03	VITE TCI 5X10 NYLON	SCREW 5X10

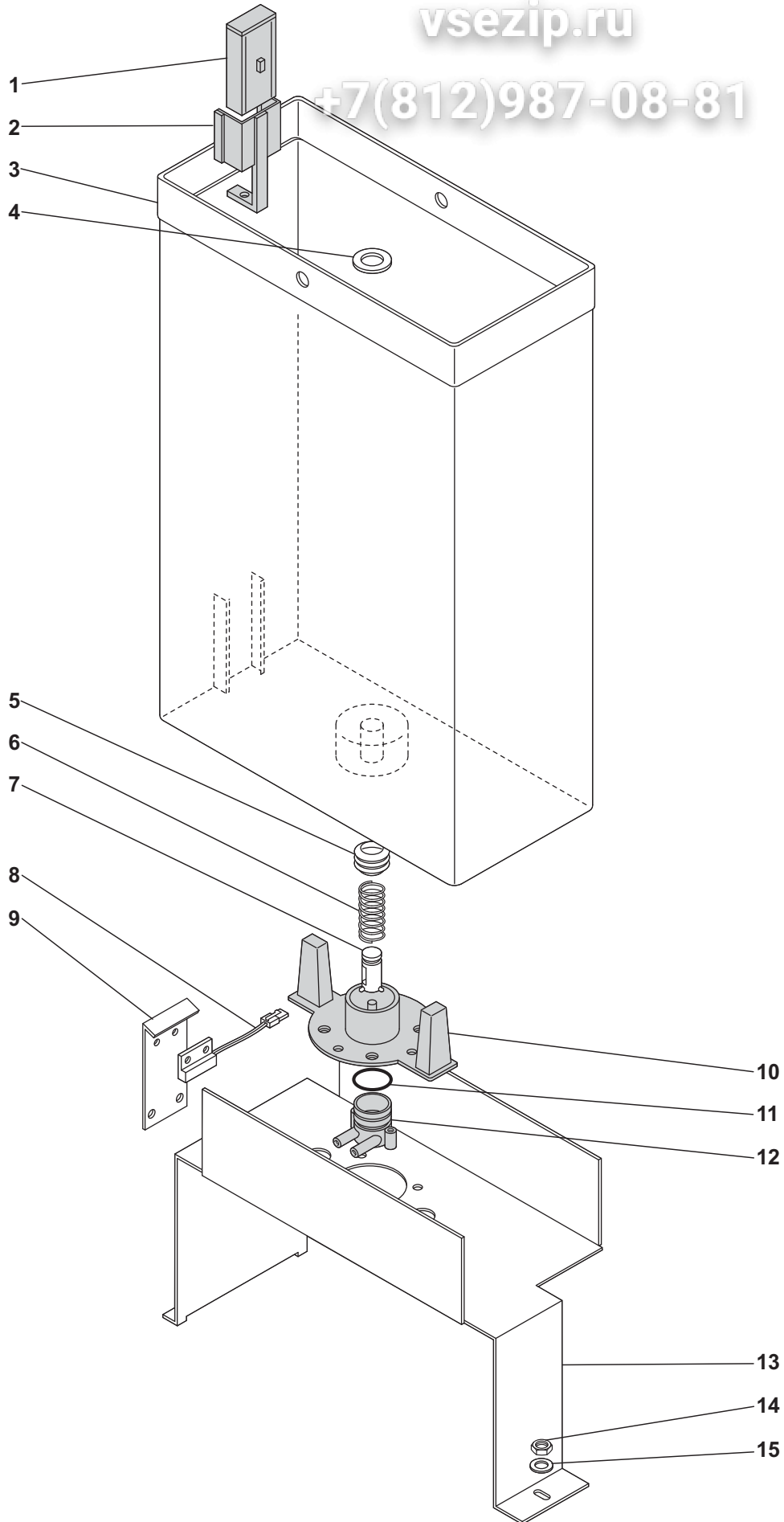
FR

D

1 - 00221.0.00.04	DOUILLE DE BLOCAGE 6mm	HALTEBÜCHSE
2 - 00222.0.00.04	DOUILLE DE COUPLE 4mm	STÜTZBÜCHSE
3 - 00214.0.00.04	ÉCROU DE BLOCAGE G. 1/8-6	HALTEMUTTER
4 - 00303.0.00.04	TUYAU RILSAN 6X4mm	RILSANRORH
5 - 00107.0.00.04	VIS ARTICULEE	GELENKSCHRAUBE
6 - 01286.0.00.03	RESSORT	ELASTISCHE BEILAGSCHEIBE
7 - 00810.0.00.02	GARNITURE CONIQUE	KONISCHE DICHTUNG
8 - 10301.0.00.04	RACCORD DE RETENUE G. 1/8"	VERBINDUNG VON HALTERUNG
9 - 00236.0.00.04	RACCORD DROIT G. 1/8-1/8M L.20	RECHTE VERBINDUNG
10 - 10304.0.00.04	RACCORD 3/8-1/8F	VERBINDUNG 3/8-1/8F
11 - 17282.4.00.09	ROBINET VAPEUR	DAMPFHAHN
12 - 17395.0.00.04	BAGUE M 12X1	NUTMUTTER M12X1
13 - 17396.0.00.04	RACCORD "L" M6	VERBINDUNG "L" M6
14 - 17296.4.00.09	ENSEMBLE GROUP LAIT	MILCHAUFSCÄUMEGRUPPE
15 - 00217.0.00.04	RACCORD "L" G. 1/8-1/8M	VERBINDUNG "L" G.1/8-1/8M
16 - 00074.0.00.04	RACCORD DROIT G. 1/8-1/8F	EXPANSIONSVENTILSFEDER
17 - 17090.0.00.04	RACCORD DROIT 1/8M-M12X1	RECHTE VERBINDUNG 1/8M-M12X1
18 - 13624.0.00.02	JOINT OR 105	OR 105
19 - 17089.0.10.04	TUYAU VAPEUR	DAMPFROHR
20 - 10623.0.00.04	TUYAU SILICONE 3,5X6	SILICONEROHR 3,5X6
21 - 10175.0.00.02	BAGUE	RING
22 - 09794.0.00.03	VIS TCI 5X10 NYLON	SCHRAUBE G.1/ 8 - 1/8M

vsezip.ru

+7(812)987-08-81



vsezip.ru

IT

GB

- +7(812)987-08-81
- 1 - 20418.2.00.02 GALLEGGIANTE PER SERBATOIO
 - 2 - 19595.0.00.02 GUIDA GALLEGGIANTE
 - 3 - 18526.0.00.02 SERBATOIO 3LITRI
 - 4 - 19593.0.00.02 GUARNIZIONE PER VALVOLA CHIUSURA
 - 5 - 20419.0.00.02 GUARNIZIONE A SOFFIETTO
 - 6 - 19607.0.00.03 MOLLA PER VALVOLA CHIUSURA SERBATOIO
 - 7 - 19594.0.00.02 VALVOLA CHIUSURA SERBATOIO
 - 8 - 19022.2.00.08 REED MAGNETICO
 - 9 - 17731.0.00.01 SQ.SUPERIORE SENSORE LIVELLO SERBATOIO
 - 10 - 18527.0.00.02 FLANGIA INNESTO TANICA
 - 11 - 08820.0.00.02 OR 2087
 - 12 - 20424.0.00.02 RACC.INNESTO TUBI SERBATOIO
 - 13 - 17732.0.00.01 SUPPORTO SERBATOIO
 - 14 - 01266.0.00.03 DADO M5
 - 15 - 01277.0.00.03 RONDELLA PIANA Ø 5,2

- FLOAT FOR WATER TANK
- FLOAT GUIDE
- WATER TANK 3L
- GASKET FOR VALVE
- GASKET
- SPRING FOR VALVE
- WATER TANK VALVE
- MAGNET REED
- SENSOR SUPERIOR SUPPORT
- RESEVOIR FLANGE
- O-RING 2087
- PIPE CLUTCH CONNECTOR TANK
- WATER TANK SUPPORT
- NUT M5
- WASHER1/8-1/8M

FR

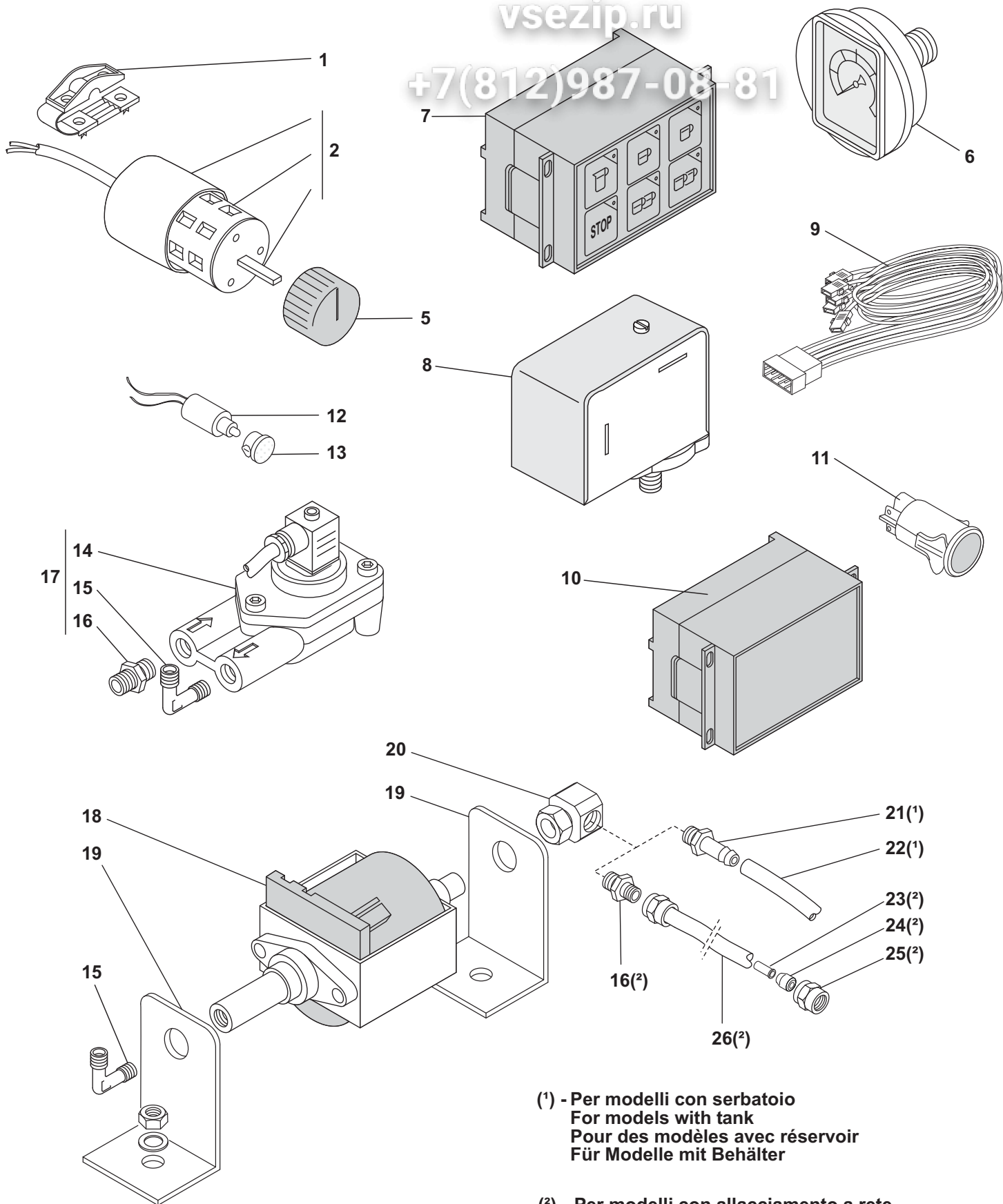
D

- 1 - 20418.2.00.02 FLOTTANT POUR BAC A EAU
- 2 - 19595.0.00.02 GLISSIERE FLOTTANT
- 3 - 18526.0.00.02 BAC A EAU 3L
- 4 - 19593.0.00.02 GARNITURE POUR SOUPAPE
- 5 - 20419.0.00.02 GARNITURE
- 6 - 19607.0.00.03 RESSORT POUR SOUPAPE
- 7 - 19594.0.00.02 SOUPAPE BAC A EAU
- 8 - 19022.2.00.08 REED MAGNETIQUE
- 9 - 17731.0.00.01 SUPPORT SUPERIEUR POUR CAPTEUR
- 10 - 18527.0.00.02 FLASQUA
- 11 - 08820.0.00.02 JOINT OR 2087
- 12 - 12089.0.00.02 RACCORD A GREFFE TUYAU BAC A EAU
- 13 - 17732.0.00.01 SUPPORT BAC A EAU
- 14 - 01266.0.00.03 ECROU M5
- 15 - 01277.0.00.03 ONDELLE Ø 5,2

- SCHWIMMEN
- FUHRUNGSBHANSTÜTZTBÜCHSE
- WASSERBEHALTER 3L
- DICHTUNG FÜR VENTIL
- DICHTUNG
- FEDERE FÜR VENTIL
- VENTILSCHLIESSEN
- MAGNET REED
- OBERE HALTERUNG FÜR SENSOL
- FLANSCH
- OR 2087
- KUPPLUNGSVERBINDUNG ROHR HALTER
- HALTERWASSERBEHALTER
- MUTTER M5
- SCHEIBE Ø5,2

vsezip.ru

+7(812)987-08-81



(¹) - Per modelli con serbatoio
For models with tank
Pour des modèles avec réservoir
Für Modelle mit Behälter

(²) - Per modelli con allacciamento a rete
For models with water main connector
Pour des modèles avec branchement eau de ville
Für Modelle mit wasseranschluss

vsezip.ru

IT

GB

+7(812)987-08-81

1 - 00696.0.00.08	FISSACAVO	CABLE CLAMP
2 - 18557.2.00.08	CABLAGGIO INTERRUPTORE GENERALE	WIRING FOR ON-OFF SWITCH
5 - 04404.0.00.02	MANOPOLA PER INTERRUPTORE	SWITCH KNOB
6 - 06611.2.00.08	MANOMETRO	MANOMETER
7 - 18571.2.00.08	PULSANTIERA/CENTRALINA 115V	PUSH BUTTON-PANNEL/ELECTRONIC 115V
18572.2.00.08	PULSANTIERA/CENTRALINA 230V	PUSH BUTTON-PANNEL/ELECTRONIC 230V
8 - 00630.4.00.08	PRESSOSTATO	PRESSURE SWITCH
9 - 18554.2.00.08	CABLAGGIO INTERNO - P	P - INRERNAL WIRING
18555.2.00.08	CABLAGGIO INTERNO - DIG	DIG - INTERNAL WIRING
18556.2.00.08	CABLAGGIO SENSORE LIVELLO	WATER LEVEL WIRING
10 - 18565.2.00.08	CENTRALINA AUTOLIVELLO 230V	WATER LEVEL ELECTRONIC 230V
11 - 01975.2.00.08	INTERRUPTORE BIPOLARE - P	P - BIPOLAR SWITCH
12 - 00668.2.00.08	LAMPADA SPIA 220V.	WARING LIGHT 220V
13 - 02627.0.00.02	GEMMA ARANCIO	WARING LIGHT ORANGE PROTECTION
02628.0.00.02	GEMMA VERDE	WARING LIGHT GREEN PROTECTION
14 - 08729.2.00.08	DOSATORE VOLUMETRICO 1/8" 1,15	FLOWMETER 1/8" 1,15
15 - 00217.0.00.04	RACCORDO A "L" 1/8-1/8M	"L" CONNECTOR 1/8 - 1/8M
16 - 00236.0.00.04	RACCORDO DIRITTO 1/8-1/8 L.20	STRAIGHT CONNECTOR 1/8-1/8 L.20
17 - 09096.6.00.09	ASS.DOSATORE VOLUMETRICO	FLOWMETER ASSEMBLY
18 - 08720.4.00.08	POMPA A VIBRAZIONE EP5 115V	OSCILLATING PUMP EP5 115V
00606.2.00.08	POMPA A VIBRAZIONE EP5 230V	OSCILLATING PUMP EP5 230V
19 - 01436.0.00.02	ANTIVIBRANTE A "L"	VIBRATION-DAMPER FOR PUMP
20 - 06453.2.00.04	RACCORDO ALLACCIAMENTO RETE	WATER MAINS CONNECTOR
21 - 00084.0.00.04	PORTAGOMMA 1/8M Ø7	ELBOW CONNECTOR FOR PIPE 1/8 Ø7
22 - 02554.0.00.04	TUBO SILICONE Ø5X8	SILICONE PIPE Ø5X8
23 - 00222.0.00.04	BUSSOLA DI RINFORZO MM4	BRACING BUSH MM4
24 - 00221.0.00.04	BUSSOLA DI BLOCCAGGIO MM6	LOCKING BUSH MM6
25 - 00214.0.00.04	DADO BLOCCAGGIO 1/8-6	LOCKING NUT 1/8-6
26 - 00303.0.00.04	TUBO RILSAN 6X4	RILSAN PIPE 6X4

FR

D

1 - 00696.0.00.08	SERRE- CÂBLE	KABELKLEMME
2 - 18557.2.00.08	CABLAGE INTERRUPTEUR GENERAL	HAUPTSCHALTER KABELVERBINDUNG
5 - 04404.0.00.02	POIGNNE PER INTERRUPTEUR	DREHKNOPF FUR SCHALTER
6 - 06611.2.00.08	MANOMETRE	MANOMETER
7 - 18571.2.00.08	BOITE A TOUCHE/BOITE ELECTRONIQUE 115V	TASTATUR/ELEKTRONISCHE 115V
18572.2.00.08	BOITE A TOUCHE/BOITE ELECTRONIQUE 230V	TASTATUR/ELEKTRONISCHE 230V
8 - 00630.4.00.08	PRESSOSTAT	DRUCKWACHTER
9 - 18554.2.00.08	CABLAGE INTERNE - P	INTERNE KABELVERBINDUNG - P
18555.2.00.08	CABLAGE INTERNE - DIG	INTERNE KABELVERBINDUNG - DIG
18556.2.00.08	CABLAGE NIVEAU EAU	KABELVERBINDUNG DES WASSERZUSTANDES
10 - 18565.2.00.08	BOÎTE ELECTRONIQUE NIVEAU EAU 230V	ELEKTRISCHE STEUERUNG AUTO.WASSERZUSTANDES 230V
11 - 01975.2.00.08	INTERRUPTEUR BIPOLAIRE - P	ZWEIPOLIGER SCHALTER
12 - 00668.2.00.08	TEMOIN 220V.	WARNLAMPE 220V
13 - 02627.0.00.02	PROTECTION TEMOIN ORANGE	ORANGE DECKUNG FUR LAMPE
02628.0.00.02	PROTECTION TEMOIN VERT	GRUN DECKUNG FUR LAMPE
14 - 08729.2.00.08	DOSEUR VOLUMETRIQUE 1/8" 1,15	DURCHFLUSSGEBER 1/8" 1,15
15 - 00217.0.00.04	RACCORD "L" 1/8-1/8M	RECHTER "L" 1/8-1/8M
16 - 00236.0.00.04	RACCORD DROIT 1/8-1/8 L.20	RECHTER ANSCHLUSSTUCK 1/8-1/8M L.20
17 - 09096.6.00.09	ENSEMBLY DOSEUR VOLUMETRIQUE	DURCHFLUSSGEBERGRUPPE
18 - 08720.4.00.08	POMPE À VIBRATION EP5 115V	VIBRATIONSPUMPE EP5 115V
00606.2.00.08	POMPE À VIBRATION EP5 230V	VIBRATIONSPUMPE EP5 230V
19 - 01436.0.00.02	PROTECTION ANTIVIBR."L"	SCHWINGUNGSDÄMPFER "L"
20 - 06453.2.00.04	RACCORD BRANCHEMENT EAU DE VILLE	VERBINDUNG FÜR WASSERANSCHLUSS
21 - 00084.0.00.04	RACCORD POUR TUYAU 1/8M Ø7	VERBINDUNG FÜR ROHR 1/8M Ø7
22 - 02554.0.00.04	TUYAU SILICONE Ø5X8	SILICONE ROHR Ø5X8
23 - 00222.0.00.04	DOUILLE DE COUPLE MM4	STÜTZBÜCHSE MM4
24 - 00221.0.00.04	DOUILLE DE BLOCAGE MM6	HALTEBÜCHSE MM6
25 - 00214.0.00.04	ÉCROU DE BLOCAGE 1/8-6	HALTEMUTTER 1/8-6
26 - 00303.0.00.04	TUYAU RILSAN 6X4	RILSAN ROHR 6X4