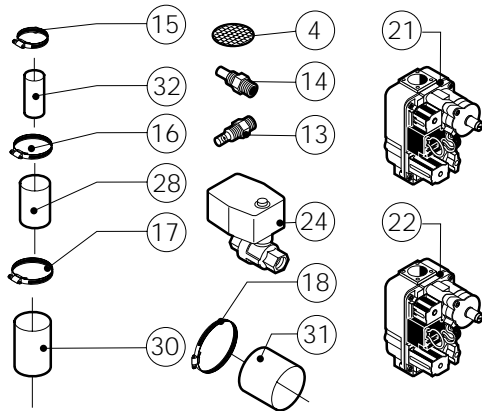
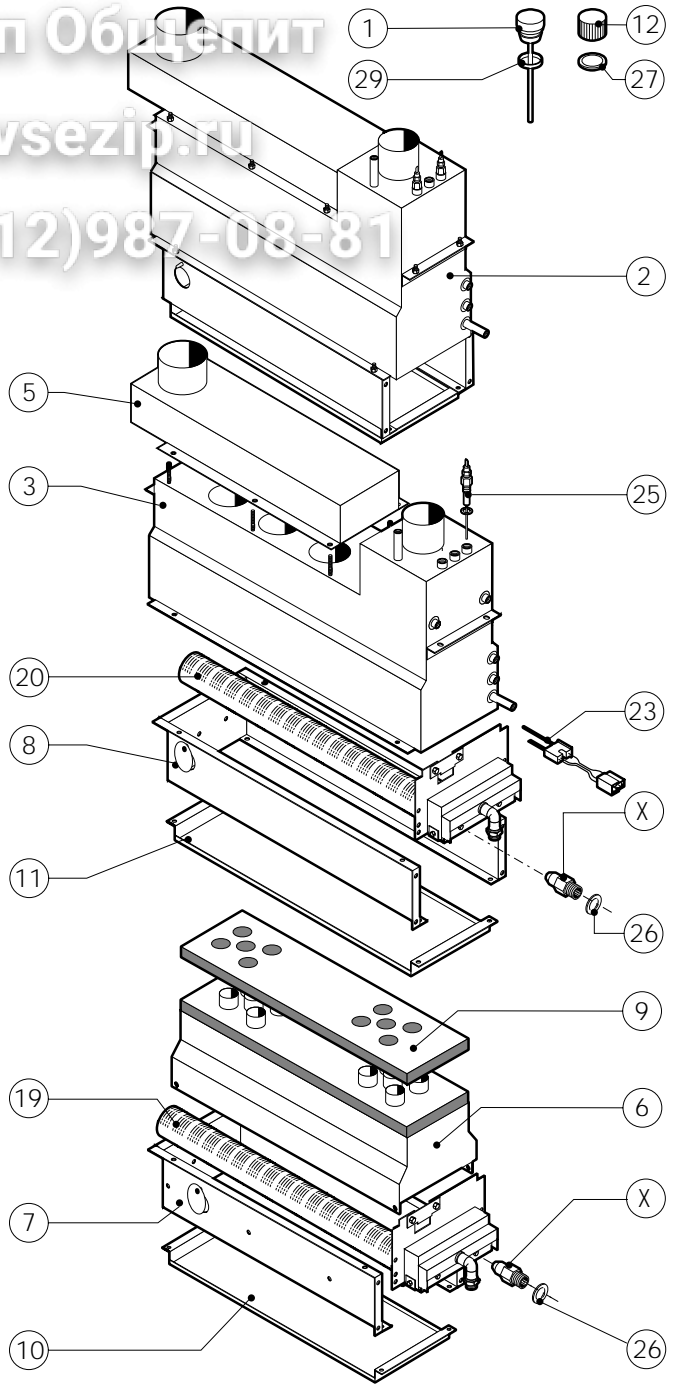
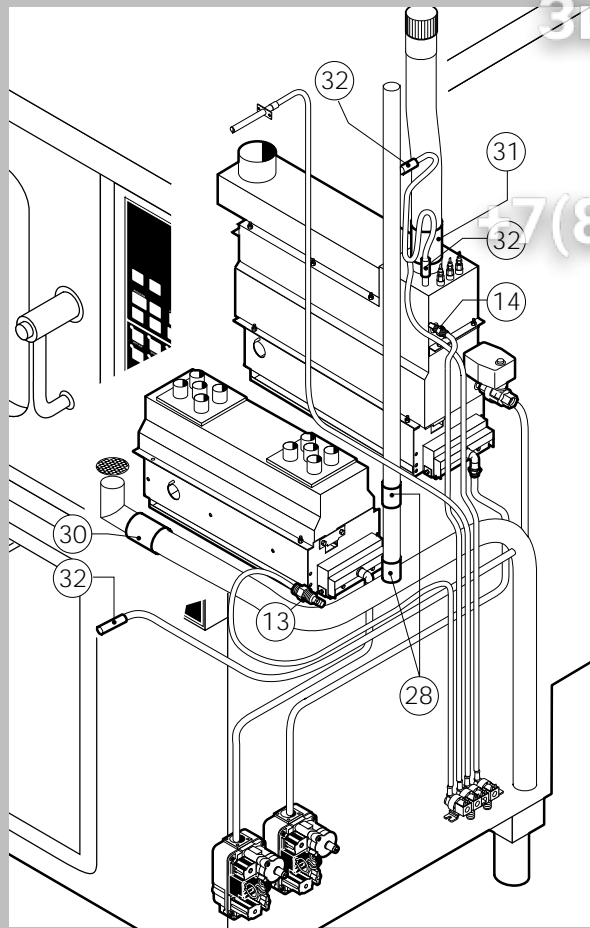


POS.	CODICE	PEZZI	DESCRIZIONE
1	R58003860	1	FLANGIA GUARNIZIONE MOTORE
2	R58003870	1	CONTRIFLANGIA GUARNIZIONE MOTORE
3	R58004020	1	DADO FISSAGGIO VENTOLA M10 SX
4	R61400052	1	RONDELLA FISSAGGIO VENTOLA Ø 21/10.5
5	R63060090	2	PANNELLO ACCENSIONE WR 50A72-418
6	R65040451	1	KIT MOTORE HP 0.25/0.1
7	R65060010	1	VENTILATORE COMPATTO Ø 80
8	R65070075	1	KIT TERMOSTATO SICUREZZA CAMERA
9	R65070080	1	KIT TERMOSTATO SICUREZZA BOILER
10	R65090450	2	TEMPORIZZATORE
11	R65095000	1	MOTORINO SFIATO COMPLETO
12	R65115020	1	ELETTROVALVOLA DOPPIA 220V 60HZ
13	R65115070	1	ELETTROVALVOLA DOPPIA 220V 60HZ C/RIDUT.
14	R65140140	4	TELERUTTORE 3TF4011-OAN2 220V
15	R65160050	1	SUPPORTO PER TERMICO 3UX1418
16	R65160120	1	TERMICO 3UA5000-1C 1.6-2.5A
17	R65170050	4	KIT RELE' 4052 240V AC 10A
18	R65180650	1	TRASFORMATORE 23VA
19	R65180710	1	TRASFORMATORE 16VA

POS.	CODICE	PEZZI	DESCRIZIONE
20	R65180720	1	TRASFORMATORE 20VA
21	R65180900	1	AUTOTRASFORMATORE 400VA
22	R65190020	1	CONDENSATORE 16 µF
23	R65200080	1	FUSIBILE 0.125A (T)
24	R65200145	2	FUSIBILE 0.2A (T)
25	R65200230	2	FUSIBILE 4A
26	R65200240	1	FUSIBILE 5A
27	R65210020	6	PORTAFUSIBILE BARRA DIN
28	R65220090	1	MORSETTIERA
29	R65265100	1	MICRO PORTA COMPLETO
30	R65300670	1	SCHEDA OROLOGIO
31	R65300720	1	SCHEDA BASE
32	R65325000	3	SONDA PT100
33	R65330040	1	SUONERIA
34	R70020040	1	GUARNIZIONE MOTORE
35	R75400220	1	KIT VENTOLA Ø 220x78/16 60HZ P.D.

Вип Общепит
vsezip.ru
+7(812)987-08-81



POS.	CODE	PIECES	DESCRIPTION
1	R10100140	1	DAMPER SYSTEM CAP
2	R10102000	1	STEAM GENERATOR ASSEMBLY
3	R10200980	1	STEAM GENERATOR
4	R10201700	1	DRAIN FILTER
5	R10202090	1	STEAM GENERATOR GAS FLUE PIPE
6	R10202400	1	COMBUSTION CABINET
7	R10202500	1	CABINET BURNERS SUPPORT
8	R10202580	1	STEAM GENERATOR SUPPORT
9	R10402390	1	COMBUSTION CABINET INSULATION PLATE
10	R10403790	1	CHAMBER BURNERS PROTECTION PLATE
11	R10403800	1	STEAM GENERATOR BURNERS PROTECTION PLATE
12	R58005680	1	STEAM GENERATOR DESCALING CAP 1"1/4 F
13	R58006090	1	STEAM QUENCHING NOZZLE Ø 1
14	R58006110	1	STEAM GENERATOR FLUSHING NOZZLE
15	R61630011	14	METAL CLAMPS 12-22/9
16	R61630021	2	METAL CLAMPS 30-45/9
17	R61630031	4	METAL CLAMPS 40-60/9
18	R61630041	2	METAL CLAMPS 70-90/9
19	R63016050	1	CHAMBER BURNER ASSEMBLY

POS.	CODE	PIECES	DESCRIPTION
20	R63016060	1	STEAM GENERATOR BURNER ASSEMBLY
21	R63020120	2	GAS VALVE WR 36E96A-301 NATURAL GAS
22	R63020130	2	GAS VALVE WR 36E96A-302 PROPAN GAS
23	R63050050	2	IGNITOR/SENSOR WR 768A200
24	R65110540	1	STEAM GENERATOR DRAIN MOTORIZED VALVE
25	R65320010	2	STEAM GENERATOR LEVEL PROBE
26	R70030090	4	NOZZLE GASKET
27	R70050040	1	STEAM GENERATOR CAP GASKET
28	R70060010	2	SILICON COUPLING Ø 30
29	R70060020	1	DAMPER SYSTEM CAP GASKET
30	R70060030	1	SILICON COUPLING Ø 40
31	R70060040	1	SILICON COUPLING Ø 50
32	R70060060	3	SILICON COUPLING Ø 15
X		2	NOZZLE (See service manual)
X		2	NOZZLE (See service manual)

