

Зип Оффепит

vsezip.ru

CONTI
+7(812)987-08-81

TWIN STAR 2



PIECES DETACHEES SPARE PARTS

CONTI - 10/2004

SACOME, Document CONFIDENTIEL, Ne peut être reproduit ni communiqué sans notre accord préalable.
SACOME, CONFIDENTIAL Document, it is forbidden to duplicate or communicate this document without previous authorization.

Зип Общепит

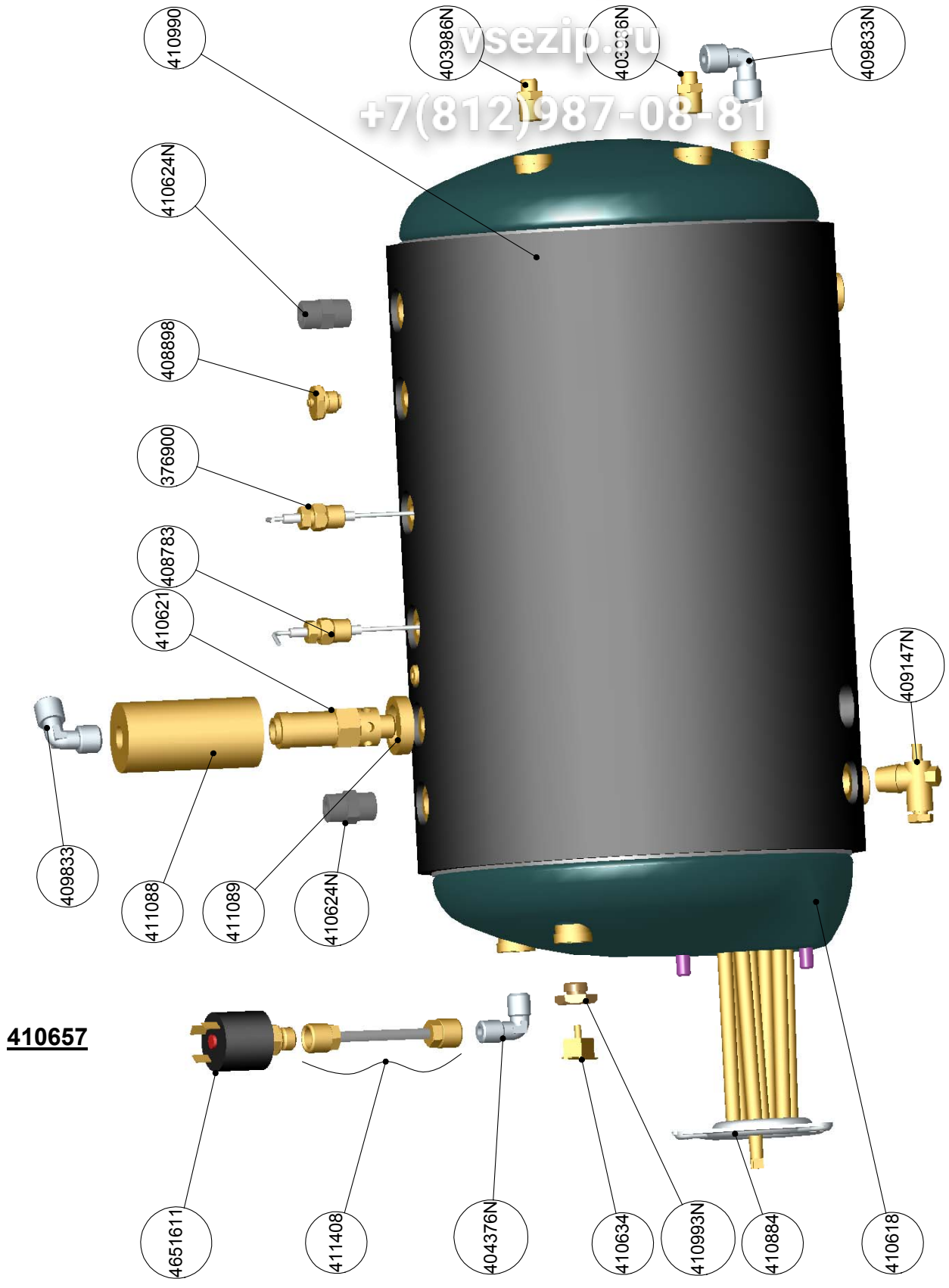
vsezip.ru

+7(812)987-08-81

<u>PAGE</u>	<u>DESIGNATION</u>	<u>DESIGNATION</u>
2.	CHAUDIERE EAU CHAUDE/VAPEUR THERMOPLONGEUR	STEAM & HOT WATER BOILER HEATING ELEMENT
4.	TURBINE	FLOWMETER
6.	PORTE-FILTRES	FILTER HOLDERS
8.	SORTIE EAU CHAUDE	HOT WATER OUTLET
10.	SORTIE VAPEUR	STEAM OUTLET
12.	ROBINET VAPEUR	STEAM TAP
14.	ROBINET DE PUISAGE + MITIGEUR - C.A.R - LIMITEUR BLOC ENTREE EAU AUTO	TAP + MIXER CHECK VALVE - RELIEF DEVICE WATER INLET CONTROL
16.	GROUPE CHAUDIERE CAFE	ESPRESSO GROUP BOILER
18.	MOTO-POMPE	MOTOR PUMP
20.	FAISCEAUX - COMPOSANTS ELECT.	WIRING - ELECTRICAL COMPONENTS
22.	TABLEAU COMMANDE - DISPLAY	CONTROL PANEL - DISPLAY
24/26.	CARROSSERIE	CASING
28.	CHASSIS	FRAME
30.	BLOC VIDANGE	DRAIN
32.	TUYAUTERIE	PIPEWORK
34.	KIT LANCE VAPEUR	KIT JET STEAM
36.	KIT CAPPUCINATORE	CAPPUCINATORE KIT
37.	COLLE	GLUE
39.	PIECES DETACHEES POUR L'ENTRETIEN	SPARE PARTS FOR MAINTENANCE

410657 CHAUDIERE VAPEUR/EAU CHAUDE EQUIPEE 2/3G
STEAM & HOT WATER BOILER ASSEMBLY 2/3G**+7(812)987-08-81**

376900	SONDE ALIM. AUTO. L90	AUTOMATIC LEVEL SENSOR LG90
403986N	MAMELON 1/4G-1/8G NIQUELE	NIPPLE 1/4G-1/8G
404376N	COUDE 1/4 NIQUELE	BEND 1/4
408783	SONDE SECURITE L155	SAFETY SENSOR LG155
408898	DEPRESSEUR	VACUUM VALVE
409147N	PURGEUR NIQUELE	BLEED VALVE
409833	COUDE 3/8	BEND 3/8
409833N	COUDE 3/8 NIQUELE	BEND 3/8
410618	CHAUDIERE VAPEUR INOX	STEAM/HOT WATER BOILER
410621	SOUPAPE 3 BARS	VALVE 3 BARS
410624N	NIPPLE 3/8 NIQUELE	NIPPLE 3/8
410634	THERMOSTAT	THERMOSTAT
410884	THERMOPL. 4500W 220-380V LG320 + JT	HEAT. ELEMENT 4500W 220-380V LG320 + O'RING
4108841	JOINT TORIQUE SILICONE POUR 410884	O'RING FOR 410884
410990	ISOLANT CHAUDIERE	BOILER INSULATOR
410993N	BOUCHON 3/8G NIQUELE	CAP 3/8 G
411088	TUBE SOUPAPE SECURITE	PIPE SAFETY VALVE
411089	ENTRETOISE SOUPAPE SECURITE	SAFETY VALVE BRACE
411408	TUBE PRESSOSTAT	PIPE PRESSURE SWITCH
4651611	PRESSOSTAT 1,5 BAR	PRESSURE SWITCH 1,5 BAR



410657

<u>410696</u>	<u>TURBINE GAUCHE EQUIPEE</u>	<u>FLOWMETER LEFT COMPLETE</u>
<u>410708</u>	<u>TURBINE DROITE EQUIPEE</u>	<u>FLOWMETER RIGHT COMPLETE</u>
<u>410762</u>	<u>TURBINE CENTRALE EQUIPEE</u>	<u>FLOWMETER CENTRAL COMPLETE</u>

401982	VIS CHC 4X8 INOX	SCREW 4X8
403466NSF	TURBINE SEULE	FLOWMETER
403986N	MAMELON 1/4G - 1/8G	NIPPLE 1/4G - 1/8G
403988N	ANTIRETOUR 1/4G-1/8G	CHECK VALVE 1/4G - 1/8G
410617	ROBINET ENTREE D'EAU TURBINE	TAP OF FLOWMETER WATER SUPPLY
410622N	TE 1/4M-1/8M-1/8M	T-PIECE 1/4M-1/8M-1/8M
410623N	CROIX 1/8M X 4	PIPECROSS 1/8M X 4
410632N	REDUCTION 1/4M - 1/8F	CONNECTION PART 1/4M - 1/8F

<u>403988N</u>	<u>ANTIRETOUR 1/4G-1/8G</u>	<u>CHECK VALVE 1/4G - 1/8G</u>
----------------	-----------------------------	--------------------------------

087520	JOINT TORIQUE 5.7X1.9	O'RING 5.7X1.9
403471N	SIEGE C.A.R NICKELE	CHECK VALVE SUPPORT
403472N	GUIDE C.A.R NICKELE	CHECK VALVE GUIDE
403473	BILLE DE 8 INOX 316	STAINLESS STEEL BALL Ø8
403474	RESSORT C.A.R	CHECK VALVE SPRING
403475	JOINT CUIVRE 12X8,2X1	COPPER GASKET 12X8,2X1
403987N	RACCORD C.A.R 1/8 NICKELE	CONNECTION CHECK VALVE 1/8

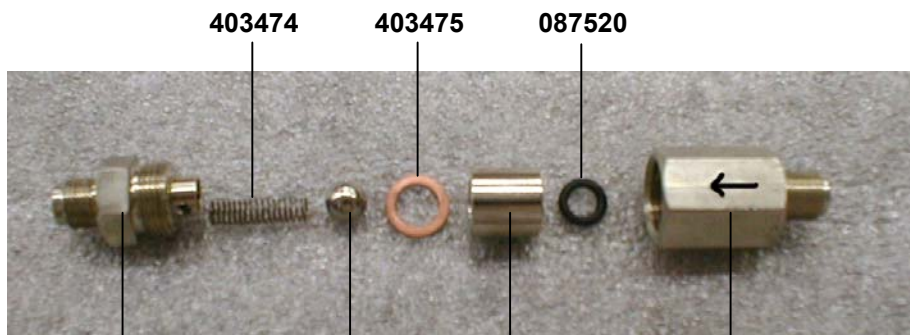


410696

410762

410708

403988N



403987N

403473

403472N

403471N



Les filtres ne sont pas fournis avec nos porte-filtres complets. Les commander séparément.
 Filters are not supplied with our filter-holders. They have to be ordered separately.

410903	P-F 1 TASSE COMPLET	1 CUP FILTER HOLDER COMPLETE
410904	P-F 2 TASSES COMPLET	2 CUP FILTER HOLDER COMPLETE

016711	CLIPS POUR FILTRE	FILTER CLIPS
410862	POIGNEE P.F. NOIRE PA6	BLACK FILTER HOLDER HANDLE
410863	BEC 2 VOIES	DOPPEL SPOUT NOZZLE
410864	BOUCHON P.F.	END CAP
410866	CORPS P.F. INOX TRAITE	FILTER HOLDER MAIN PIECE
410867	BEC 1 VOIE	SINGLE SPOUT NOZZLE
411420	VIS TF 4X6 INOX A2	SCREW 4X6

A partir de novembre 2003

As from november 2003

411337	P-F 1 TASSE COMPLET	1 CUP FILTER HOLDER COMPLETE
411338	P-F 2 TASSES COMPLET	2 CUP FILTER HOLDER COMPLETE

016711	CLIPS POUR FILTRE	FILTER CLIPS
4051451	BEC 1 VOIE 3/8 OUVERT AÉRÉ	1 WAY NOZZLE OPENED
4071681	BEC 2 VOIES 3/8 OUVERT AÉRÉ	2 WAY NOZZLE OPENED
410862	POIGNEE P.F. NOIRE PA6	BLACK FILTER HOLDER HANDLE
410864	BOUCHON P.F.	END CAP
4108661	CORPS P.F. ADAPTABLE INOX TRAITE	FILTER HOLDER MAIN PIECE

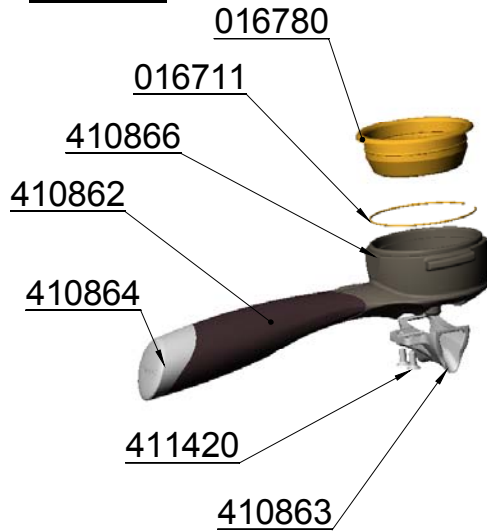
016700	FILTRE 2 TASSES HT.24 16g	2 CUP FILTER HT.24 16g
016840	FILTRE 1 TASSE HT.20 8g	1 CUP FILTER HT.20 8g
411090	SUPPORT PF POUR MOULIN MAZZER	BRACKET FOR MAZZER GRINDER

A partir de fin 07/2004

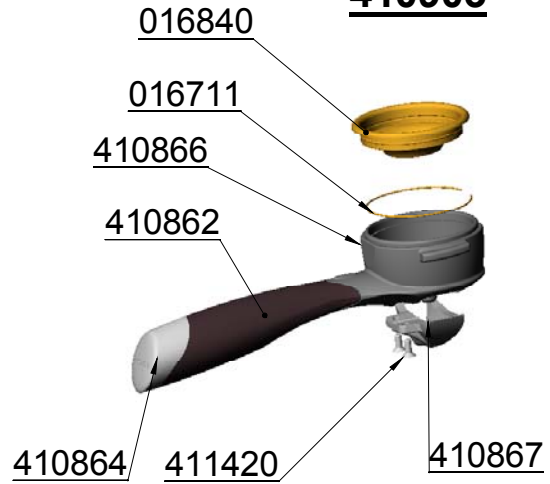
As from 07/2004

405145 remplacé par 4051451	405145 replaced for 4051451
407168 remplacé par 4071681	407168 replaced for 4071681

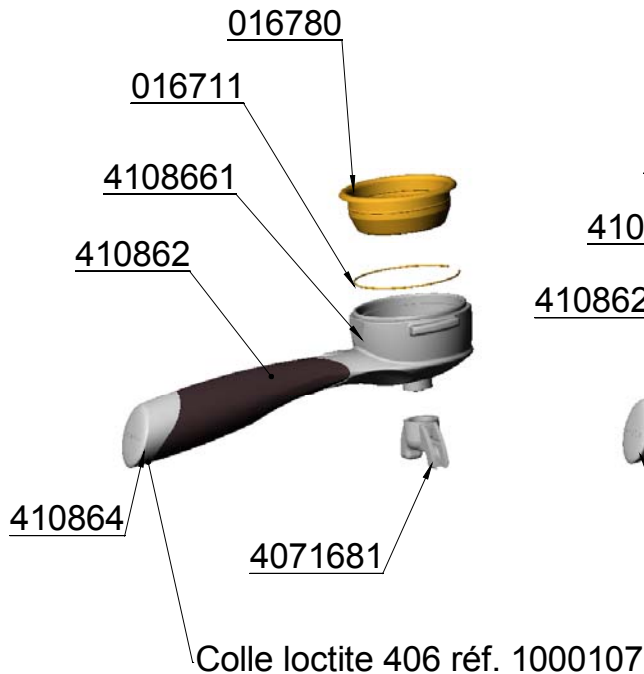
410904



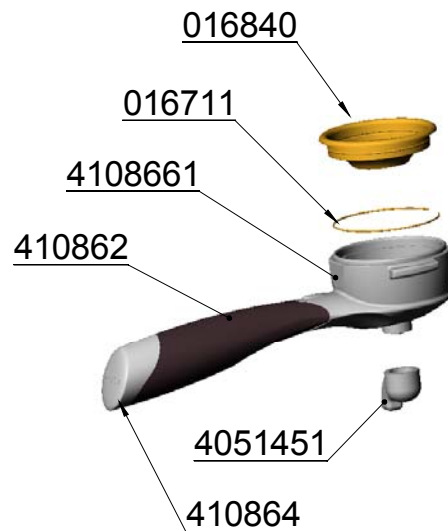
410903



411338



411337



410275 **SORTIE EAU CHAUDE CPLTE** **HOT WATER OUTLET COMPLETE**

401320 **RONDELLE D'APPUI**
401321 **RESSORT ROTULE**
410135 **SORTIE EAU CHAUDE**

+7(812)437-08-81

WASHER
SPRING
HOT WATER OUTLET

055300 **JOINT TORIQUE 12,1X2,7**
061200 **JOINT TORIQUE 13,6X2,7**

O'RING 12,1X2,7
O'RING 13,6X2,7

410275

+7(812)987-08-81



410834 SORTIE VAPEUR COURT STEAM OUTLET SHORT

055300	JOINT TORIQUE 12,1X2,7	O'RING 12,1X2,7
061200	JOINT TORIQUE 13,6X2,7	O'RING 13,6X2,7
401320	RONDELLE D'APPUI	WASHER
401321	RESSORT ROTULE	SPRING
410137	ECROU POUR ROTULE	NUT
4108351	SORTIE VAPEUR SOUDEE (COURT)	STEAM OUTLET (SHORT)
410837	EMBOUT VAPEUR	STEAM NOZZLE

411063 SORTIE VAPEUR DROIT STEAM OUTLET LONG

055300	JOINT TORIQUE 12,1X2,7	O'RING 12,1X2,7
061200	JOINT TORIQUE 13,6X2,7	O'RING 13,6X2,7
401320	RONDELLE D'APPUI	WASHER
401321	RESSORT ROTULE	SPRING
410137	ECROU POUR ROTULE	NUT
410837	EMBOUT VAPEUR	STEAM NOZZLE
411064	SORTIE VAPEUR SOUDEE (DROIT)	STEAM OUTLET (STRAIGHT)

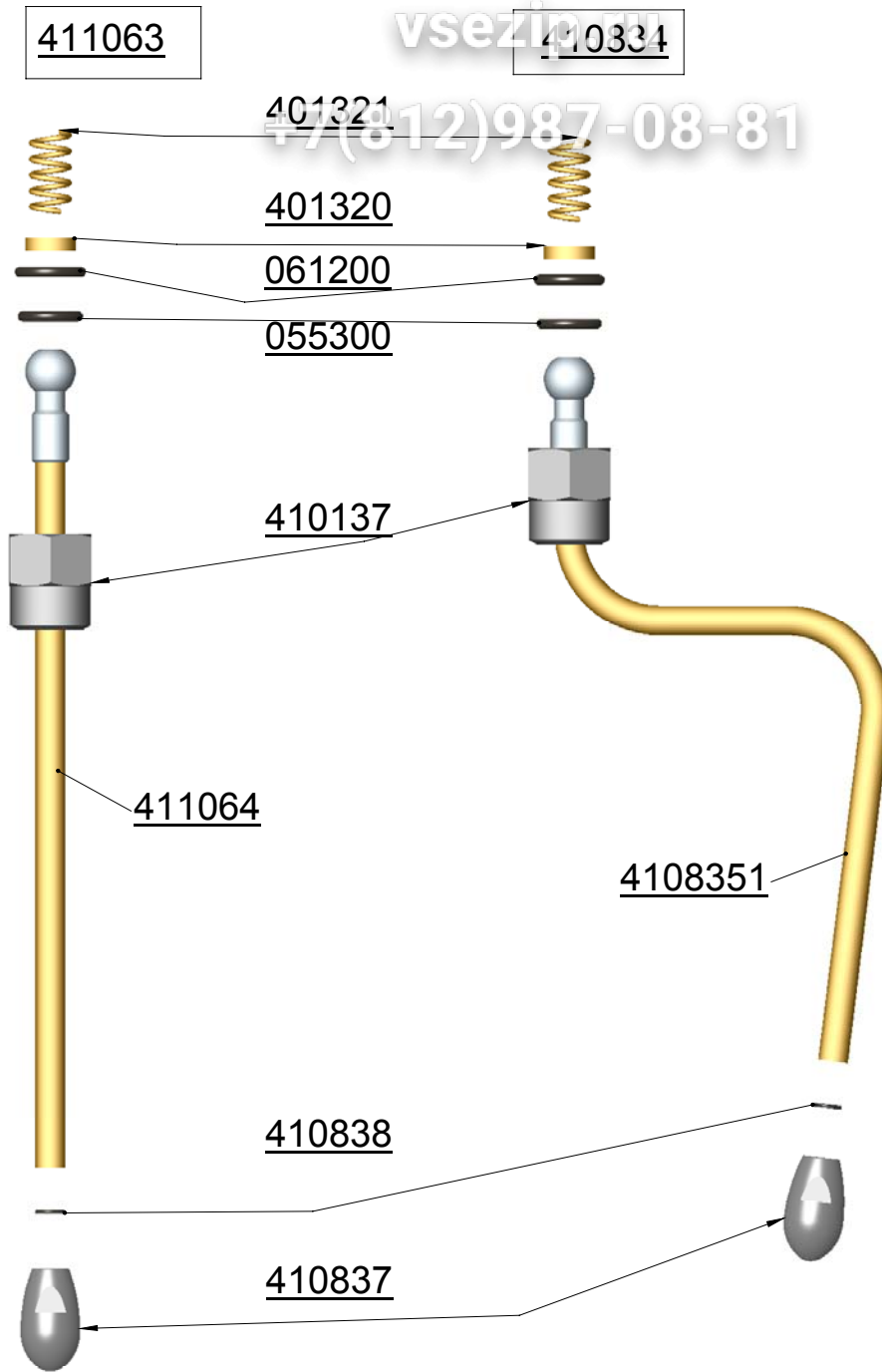
En option

4110031 RALLONGE SORTIE VAPEUR INOX

Optional

EXTENSION PART STEAM OUTLET

410838	JOINT TORIQUE 6X1 EPDM 70	O'RING 6X1 EPDM 70
411003	RALLONGE VAPEUR INOX DE 8	EXTENSION PART STEAM OUTLET



410952 ROBINET VAPEUR

059610	RONDELLE Z6	WASHER Z6
071100	VIS CHC 6X20 INOX	SCREW 6X20
120900	RONDELLE EV. AZ 5	WASHER AZ5
178200	RONDELLE EV. AZ 6	WASHER AZ6
400005N	PORTE CLAPET	WASHER SUPPORT
400012	RESSORT	SPRING
405184	CLIPS DE 4	CLIPS Ø4
405550	ECROU M6 INOX	NUT M6
405590N	CORPS DE ROBINET DE PUISAGE	TAP BODY
405592N	RACCORD ROBINET	TAP CONNECTOR
405593	RONDELLE DE GUIDAGE	WASHER
405595	VIS CHC 5X30 INOX	SCREW 5X30
405596	CLIPS INT.15 BRONZE	CIRCLIPS Ø15
405597	SUPPORT LEVIER DE CDE	LEVER SUPPORT
405598	AXE DE SUPPORT GALET	SUPPORT PIN
405599	RONDELLE 9,2X22X1,5 INOX	WASHER 9,2X22X1,5
405600	AXE DE LEVIER	LEVER PIN
405601	SUPPORT DE GALET EQUIPE	ROLLER SUPPORT ASSY
405605	RONDELLE ONDUFLEX D.M9	WASHER Ø9
405606	RONDELLE 6,2X22X2,5 INOX	WASHER 6,2X22X2,5
407501	JOINT LEVRE 5,4X14,5X9,8	LIP SEAL 5,4X14,5X9,8
407502	CLAPET 13X5X4	WASHER 13X5X4
410873	TOUCHE COMMANDE VAPEUR	STEAM PUSH BUTTON
411281	AXE DE ROBINET	TAP PIN
991300	JOINT TORIQUE 18,4X2,7	O'RING 18,4X2,7

Après 03/2004

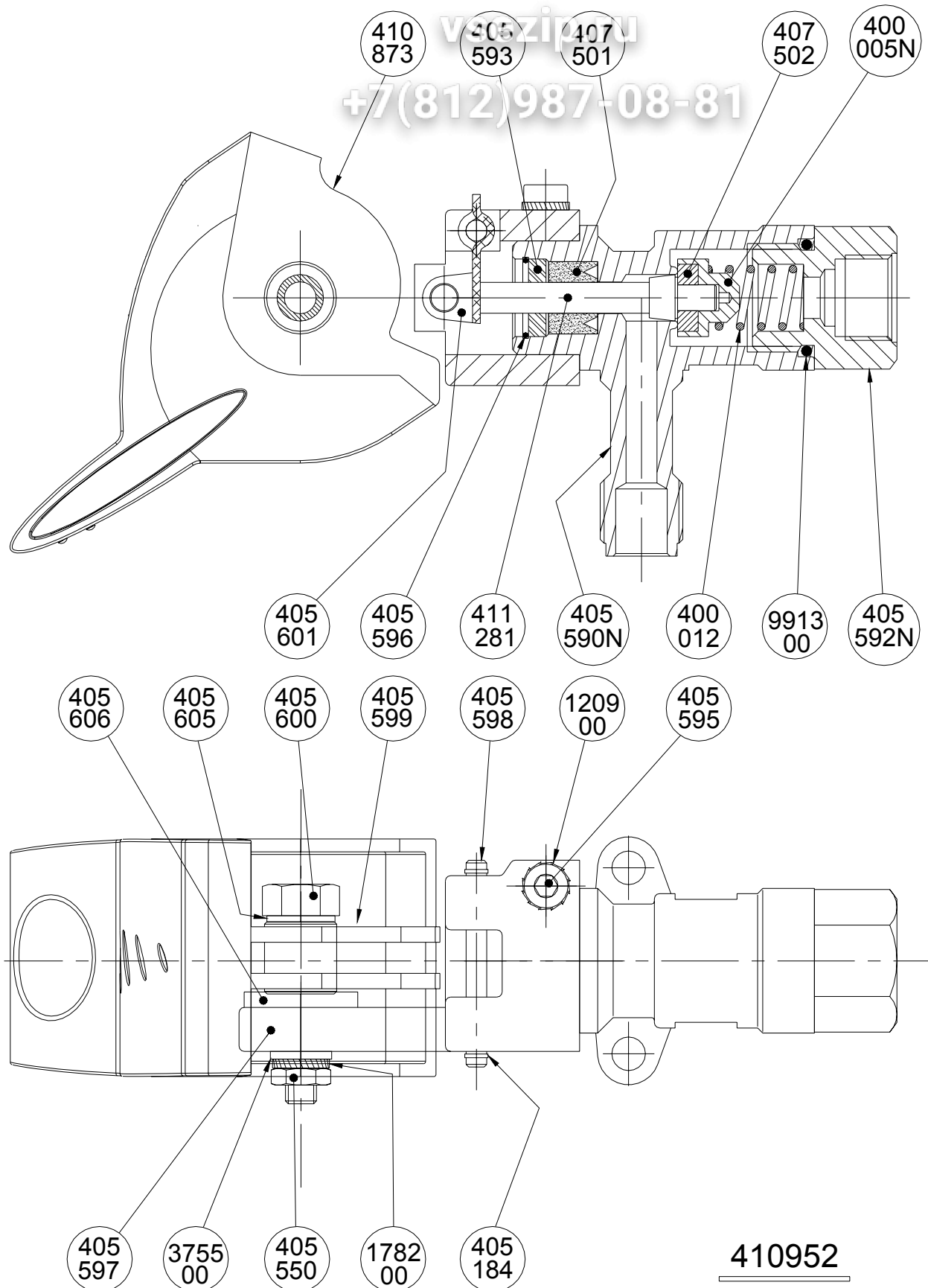
059610 remplacé par 375500

375500 RONDELLE Z6 INOX

After 03/2004

059610 replaced for 375500

WASHER Z6



411428 ROBINET DE PUISAGE + MITIGEUR TAP + MIXER

400039	JOINT TORIQUE 2,6X1,9	O'RING 2,6X1,9
400045	ECROU	NUT
403985N	MAMELON 1/8G-1/8G-SO.1100 NI	NIPPLE 1/8-1/8
404403N	COUDE 1/8 SO.2400.5 NICKELÉ	ANGLE 1/8
405584N	VIS REGLAGE DEBIT	OUTLET ADJUSTING SCREW
405618N	CORPS ROBINET ELECTRIQUE	TAP BODY
4056201	ELECTROVANNE 2 VOIES 220V 50/60HZ	SOLENOID VALVE 2-WAY 220V 50/60HZ
406316	SIEGE ROBINET ELECTRIQUE	TAP RECEIVER
408247N	COUDE 3/8M - 3/8F	ANGLE 3/8M - 3/8F
409631	JOINT TORIQUE 12X2 FKM80	O'RING 12X2 FKM80
410664	CORPS MITIGEUR	BODY MIXING TAP
410665	VIS MITIGEUR	SCREW
411289N	MAMELON 1/8M - 1/8F	NIPPLE 1/8M - 1/8F
411407N	ADAPTATEUR 3/8M - 3/8F	ADAPTER 3/8M - 3/8F
411476	EV 2V 220V/60Hz 5W UL 1/8	SOLENOID VALVE 2-WAY 220V 60Hz 5W UL 1/8
411487	TUBE MITIGEUR ENTREE EAU CHAUDE	HOT WATER INLET TUBE FOR MIXER

4030652N CLAPET ANTI RETOUR 1/8G

087520	JOINT TORIQUE 5.7X1.9
403472N	GUIDE C.A.R
403473	BILLE DE 8 INOX
403474	RESSORT C.A.R
403475	JOINT CUIVRE 12X8.2X1
403987N	RACCORD C.A.R 1/8
404251N	SIEGE C.A.R (1/8)

CHECK VALVE 1/8G

O'RING 5.7X1.9
GUIDE
BALL Ø8
SPRING
COPPER GASKET 12X8.2X1
CONNECTOR
CHECK VALVE RECEIVER

409774N LIMITEUR 12 BARS

029300	CLAPET LIMITEUR 10X4 VITON
383400	RESSORT LIMITEUR
407755N	PORTE CLAPET NICKELE
409772	SIEGE LIMITEUR
409773N	CORPS LIMITEUR NICKELE
409775	ECROU BAS M15X150
465564	VIS STCHC M3X4 POINTEAU

RELIEF DEVICE 12 BARS

RELIEF DEVICE VALVE SEAL 10X4
RELIEF DEVICE SPRING
SEAL HOLDER
RELIEF DEVICE SEATING
RELIEF DEVICE BODY
THIN NUT M15X150
SCREW M3X4

410660 BLOC ENTREE EAU AUTO

087520	JOINT TORIQUE 5,7X1,9
367920	EV 2V 220V-50/60Hz 1/4G UL
403471N	SIEGE C.A.R
403472N	GUIDE C.A.R
403473	BILLE INOX DE 8
403475	JOINT CUIVRE 12X8X1
405237N	RACCORD C.A.R 3/8G
409125N	ANTIRETOUR 1/4 - 3/8
409235N	COUDE 1/4M - 1/4F
410622N	TE 1/4M - 1/8M - 1/8M

WATER INLET CONTROL

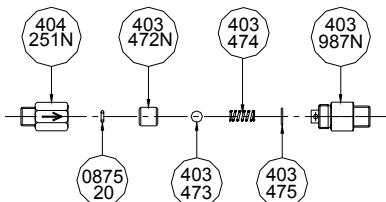
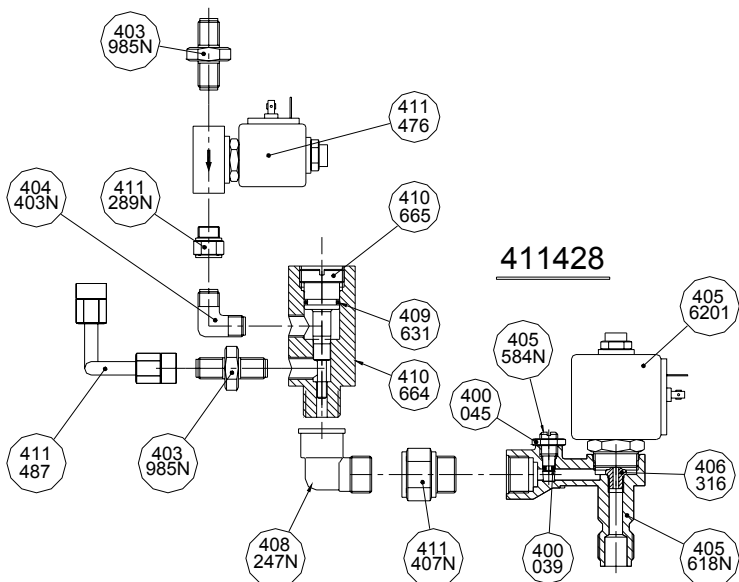
O'RING 5,7X1,9
SOLENOID VALVE 2-WAY 220V-50/60Hz UL
CHECK VALVE RECEIVER
GUIDE
BALL Ø8
COPPER GASKET 12X8X1
CONNECTOR 3/8G
CHECK VALVE 1/4 - 3/8
ANGLE 1/4M - 1/4F
T-PIECE 1/4M - 1/8M - 1/8M



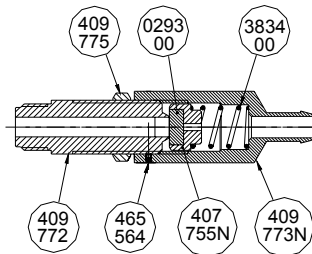
4030652N

411428

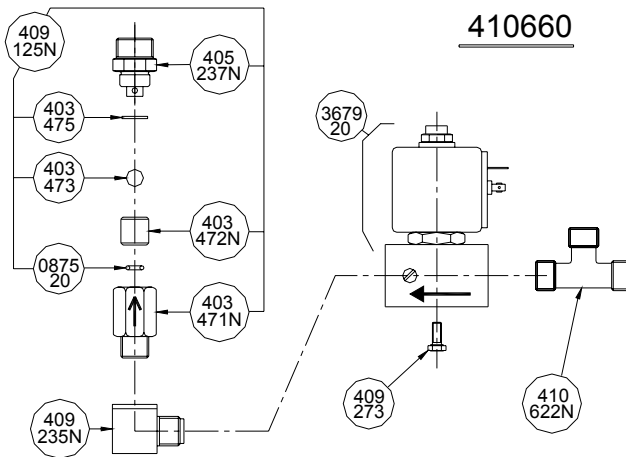
+7(812)987-08-81



4030652N



409774N



410660

vsezip.ru

+7(812)9108-81

410707 GROUPE CINOX COMPLET

ESPRESSO GROUP COMPLETE

002700 JOINT DE PORTE-FILTRE EP.8
 071600 VIS CHC 5X10 INOX
 074500 VIS TCL 4X6 INOX A2
 120900 RONDELLE GROWER ACIER Z DE 5
 178200 RONDELLE GROWER ACIER DE 6
 355900 DOUCHETTE A GRILLE
 368270 BOBINE 230V 50/60HZ SEULE
 401010 VIS TH 5X10 INOX
 403071* JOINT PTFE 11X6X1
 404281 RONDELLE L 5 INOX (5,5X16)
 404740N DIFFUSEUR ép.9,2 NICKELE
 ou 4047401N DIFFUSEUR ép.10,2 NICKELE
 405662 JOINT CUIVRE 4X8,4X1,5 RECUIT
 406708 VIS CHC 6X8 INOX
 406709 JOINT CUIVRE 6,2X10X1
 410615 ELECTROVANNE 3V 230V 50/60HZ CPLTE
 410616 BAGUE BSB 10 EP 851
 410619 JOINT CHAUDIERE 59X64X3,2
 410620 CHAUDIERE CAFE 1600W INOX
 410628 SONDE DE TEMP. L=1500 MONTEE
 410630 VIS AUTOTARAUDEUSE 2,5X6
 410631 ECROU BORGNE HR10 INOX
 410633 THERMOSTAT 230° C
 410678 VIS GROUPE INOX
 410703 SIEGE EV INOX
 410704 GICLEUR Ø0,6
 410838 JOINT TORIQUE 6X1 EPDM 70
 410907 CORPS DE GROUPE INOX
 410947 FLASQUE INJECTION INOX
 410967 SUPPORT GROUPE
 411018 ISOLANT CHAUDIERE CAFE
 411261 CARTOUCHE CHAUFFANTE EQUIPEE
 411289N MAMELON 1/8M - 1/8F NICKELE
 411308 CAPTEUR DE TEMPERATURE
 465071N TE 1/8M SO.3000-6 NICKELE
 465177N EMBOUT CANNELE 1/8F NICKELE
 888400 VIS CHC 6X10 AC ZN

FILTER HOLDER GASKET
 SCREW 5X10
 SCREW 4X6
 WASHER Ø5
 WASHER Ø6
 SPRINKLER
 COIL 230V 50/60HZ
 SCREW 5X10 TH
 GASKET 11X6X1 PTFE
 WASHER Ø5
 DIFFUSER 9,2
 DIFFUSER 10,2
 COPPER GASKET 4X8,4X1,5
 SCREW 6X8
 COPPER GASKET 6,2X10X1
 SOLENOID VALVE 3WAY 230V 50/60HZ
 RING BSB 10 EP 851
 BOILER GASKET 59X64X3,2
 COFFEE BOILER 1600W STAINLESS STEEL
 TEMPERATURE SENSOR
 SCREW 2,5X6
 CAP NUT 10
 THERMOSTAT 230°C
 GROUP SCREW
 SOLENOID VALVE RECEIVER
 SPRAY NOZZLE Ø0,6
 O'RING 6X1 EPDM 70
 GROUP MAIN PIECE
 FLANGE
 GROUP SUPPORT
 COFFEE BOILER ISOLATOR
 HEATING CARTRIDGE COMPLETE
 NIPPLE 1/8M - 1/8F
 TEMPERATURE PROBE
 T-PIECE 1/8M SO.3000-6
 FLUTED NOZZLE 1/8F
 SCREW 6X10

410704 GICLEUR Ø0,6 COMPLET

SPRAY NOZZLE ASSEMBLY Ø0,6

403475 JOINT CUIVRE 12X8,2X1
 410838 JOINT TORIQUE 6X1 EPDM 70
 411120 PORTE GICLEUR
 411121** GICLEUR Ø0,6

COPPER GASKET 12X8,2X1
 O'RING 6X1 EPDM 70
 SPRAY NOZZLE RECEIVER
 SPRAY NOZZLE Ø0,6

***ATTENTION**

jusqu'au numéro matricule machine 63084
 403071 JOINT PTFE 11X6X1
 à partir du numéro matricule machine 63085
 406709 JOINT CUIVRE 6,2X10X1

****ATTENTION**

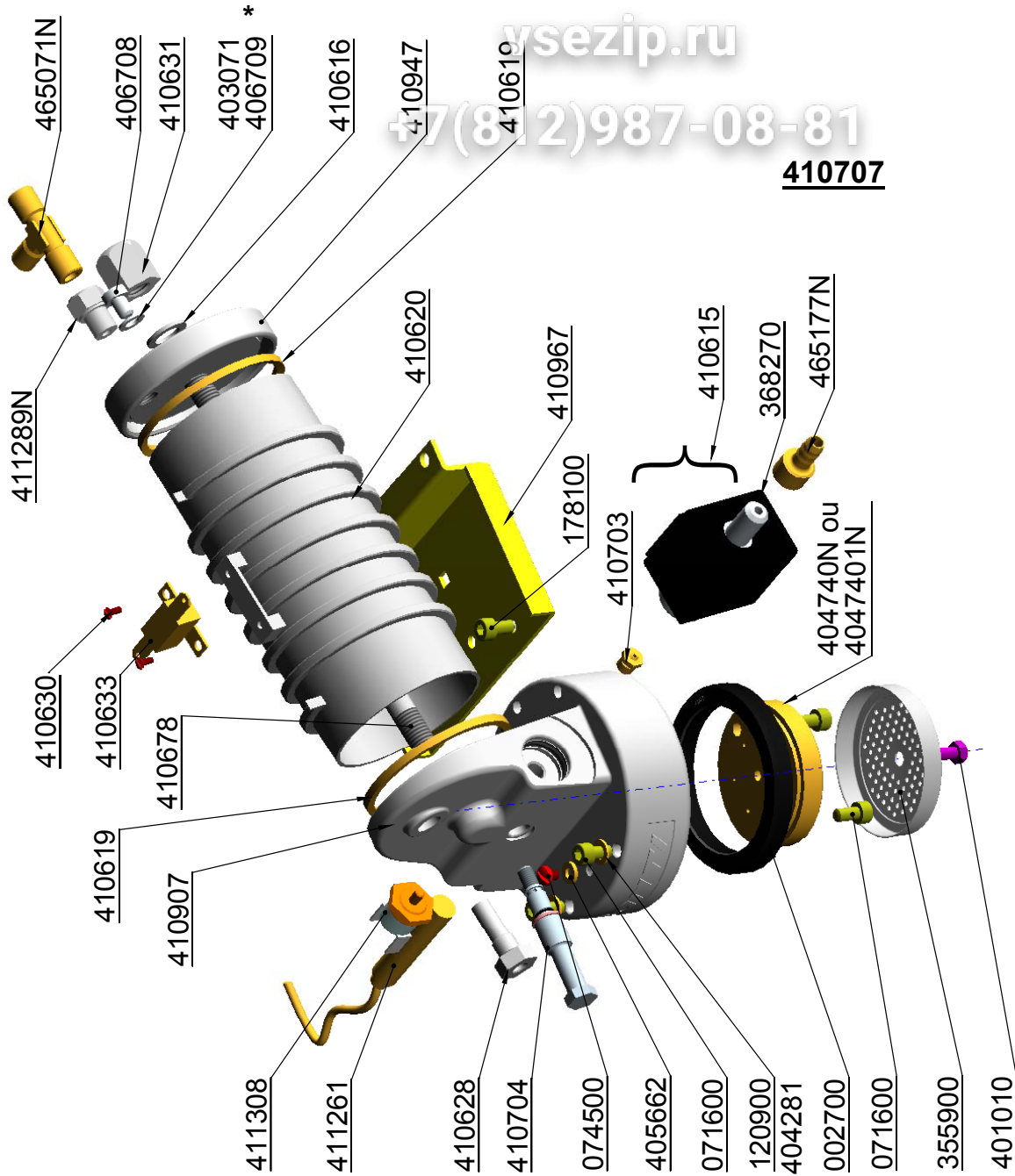
until serial number 63084 :
 GASKET 11X6X1 PTFE
 from serial number 63085 :
 COPPER GASKET 6,2X10X1

****ATTENTION**

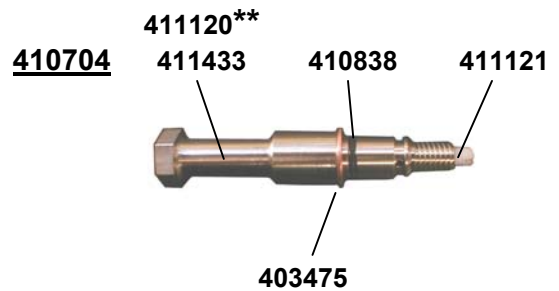
jusqu'au numéro matricule machine 63728
 411120 PORTE GICLEUR
 à partir du numéro matricule machine 63729
 411433 PORTE GICLEUR

****ATTENTION**

until serial number 63728 :
 SPRAY NOZZLE RECEIVER
 from serial number 63729 :
 SPRAY NOZZLE RECEIVER



411018



411120**

410704

411433

410838

411121

403475

410662 MOTORPOMPE COMPLETE 2/3G VERTICAL MOTOR PUMP 2/3G

120900	RONDELLE EV. AZ 5	WASHER AZ5
292600	ECROU HU 5 AC Z	NUT 5
361700	ANNEAU DE FIXATION	FASTENING RING
4057224	POMPE B.P.& FILTRE 120L	PUMP B.P.& FILTER 120L
406768	SUPPORT MOTO-POMPE	PUMP MOTOR SUPPORT
406911	MOTEUR SEUL 220V.50/60 HZ UL	UL MOTOR 220V.50/60 HZ
409738N	REDUCTION 3/8 - 1/4	JOINING PIECE 3/8 - 1/4
409833N	COUDE 3/8M	ANGLE 3/8M
410327N	COUDE 1/8F	ANGLE 1/8F
410545	ENTRETOISE PLOT	BRACE
410622N	TE 1/4 - 1/8 - 1/8	T PIECE 1/4 - 1/8 - 1/8
411102	PLOT ELASTIQUE M5	RUBBER STUD M5
411407N	ADAPTATEUR 3/8M - 3/8F	ADAPTER 3/8M - 3/8F

Après 03/2004

409738N remplacé par 411467N

411407N remplacé par 411466N

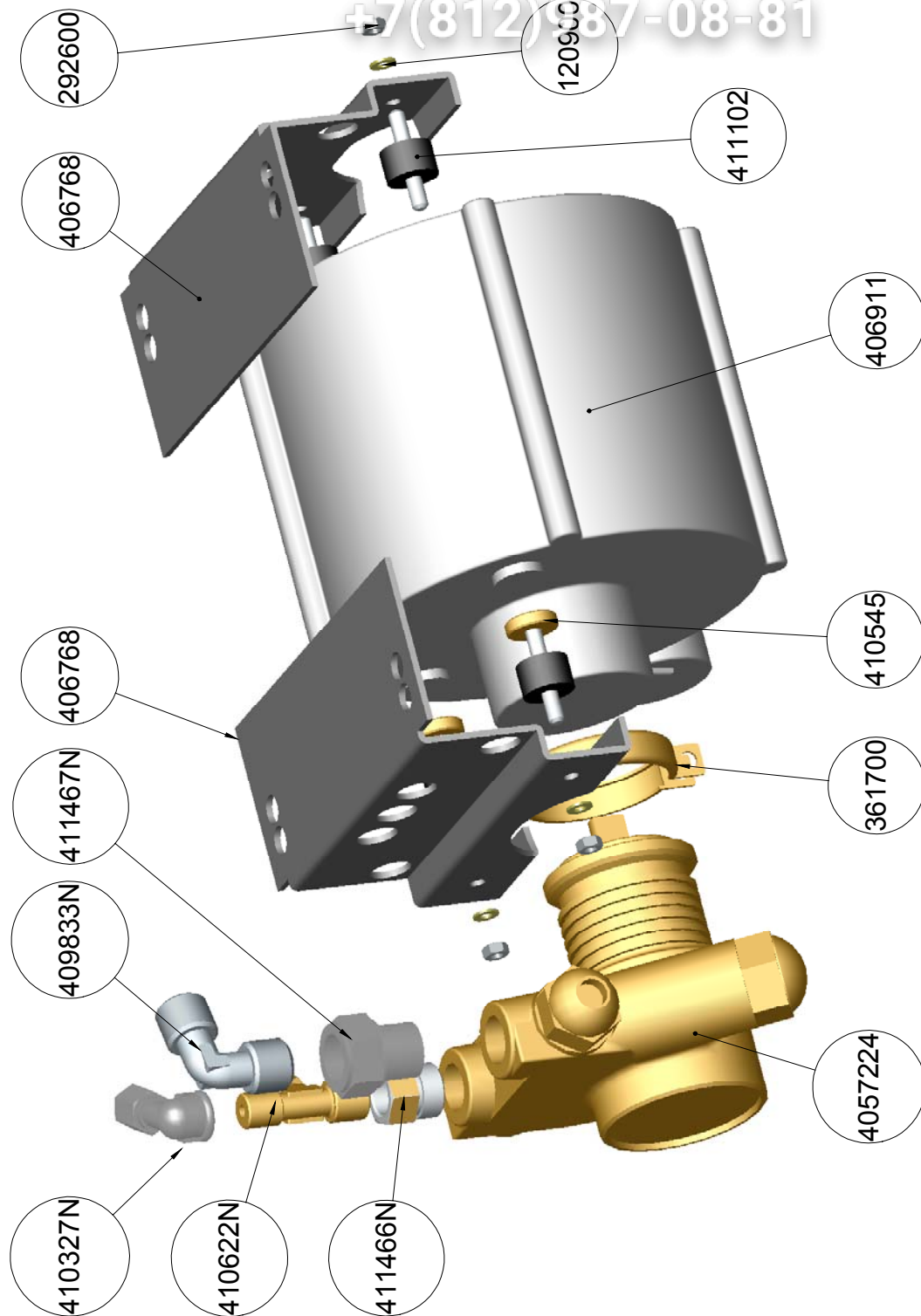
411466N ADAPTATEUR 1/4F - 3/8M
411467N ADAPTATEUR 3/8F - 3/8M

After 03/2004

409738N replaced for 411467N

411407N replaced for 411466N

ADAPTER 1/4F - 3/8M
ADAPTER 3/8F - 3/8M

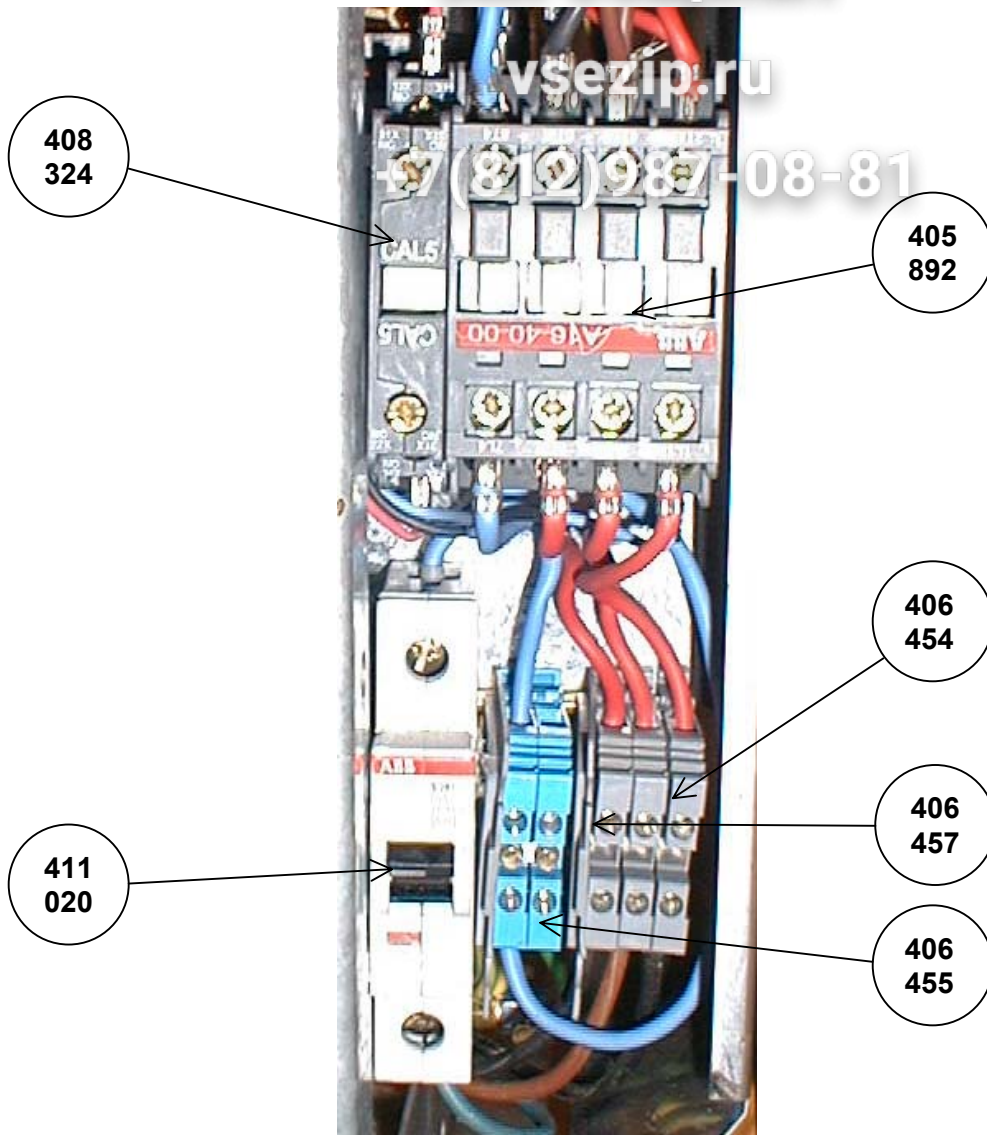


FAISCEAU DE CABLES COMPLET**WIRE ASSEMBLY**

410667	FAISCEAU BASSE TENSION 2G	WIRING LOW VOLTAGE 2G
410668	FAISCEAU PUISSANCE 2G	ELECTRICAL POWER WIRING 2G
410734	FAISCEAU CHAUFFAGE 2G (+PONT)	HEATING WIRING 2G (+JUMPER)
410751	FAISCEAU BASSE TENSION 3G	WIRING LOW VOLTAGE 3G
410752	FAISCEAU PUISSANCE 3G	ELECTRICAL POWER WIRING 3G
410753	FAISCEAU CHAUFFAGE 3G (+PONT)	HEATING WIRING 3G (+JUMPER)

COMPOSANTS ELECTRIQUES**ELECTRIC COMPOSANTS**

105251	CABLE HO7-RNF 5X2,5	CABLE HO7-RNF 5X2,5
403466	COMPTEUR VOLUMETRIQUE	FLOW METER
405892	CONTACTEUR 220V G.M.	CONTACTOR 220V
406454	BORNE M4/6 GRIS	CONNECTOR M4/6 GREY
406455	BORNE M4/6 BLEU	CONNECTOR M4/6 BLUE
406457	FLASQUE SCF 6	FLANCHE SCF 6
406464	BARETTE BJM6 2 POLES	SLIDE BJM6 2 POLES
406465	BARETTE BJM6 3 POLES	SLIDE BJM6 3 POLES
408324	CONTACT AUXILIAIRE 10/1F	SERIES CONTACT 10/1F
409367	CABLE POUSSOIR 1B	CABLE PUSH-BUTTON 1B
409839	CABLE POUSSOIR	CABLE PUSH-BUTTON
410626	BOITE A RELAIS	RELAY BOX
410629	CABLE CENTRALE À BOITE A RELAIS	CABLE MAIN BOARD TO RELAY BOX
410634	THERMOSTAT DE SECURITE	SAFETY THERMOSTAT
410687	RAIL DIN LG75	TRACK DIN LG130
410885	CENTRALE ÉLECTRONIQUE 2/3G	MAIN BOARD 2/3G
410905	INTERRUPTEUR M/A	SWITCH ON/OFF
410989	INTERRUPTEUR A CLÉ AVEC CABLE	KEY SWITCH WITH CABLE
411020	DISJONCTEUR 25A	CIRCUIT BREAKER 25A
411097	INTERRUPTEUR FACTICE CAPPU	PUSH-BUTTON CAPPU (FAKE)
411490	FUSIBLE 10A 5X20 TEMPORISE	TEMPORIZED FUSE 10A 5X20
465148	FUSIBLE 1A 5X20 TEMPORISE	TEMPORIZED FUSE 1A 5X20
4651611	PRESSOSTAT 1,5 BAR	PRESSURE SWITCH 1,5 BAR



411262	TABLEAU COMMANDE 2G CPLT	CONTROL PANEL ASSEMBLY 2G
411263	TABLEAU COMMANDE 3G CPLT	CONTROL PANEL ASSEMBLY 3G

+7(812)987-08-81

405348	AMORTISSEUR POUSSOIR	PUSH BUTTON ABSORBER
410273	BOUTON MICRO INTERRUPTEUR	MICRO SWITCH PUSH BUTTON
410635	RESSORT BOUTON Ø10	SPRING Ø10
410872	TOUCHE COMMANDE CAFE/EC	COFFEE/HOT WATER PUSH BUTTON
410874	LIGHTPIPE	LIGHT PIPE
410886	BOITIER 5 TOUCHES	5 PUSH BUTTON ASSEMBLY
410887	CARTE BOIT.1 TOUCHE (LED BLEU)	1 PUSH BUTTON CARD (BLUE LED)
410899	SUPPORT BOITIER 5TOUCHES	5 PUSH BUTTON SUPPORT
410900	DISPLAY COMPLET	DISPLAY ASSEMBLY
410908	BANDEAU SERIGRAPHIE 2G	SERIGRAPH STRIP 2G
410909	BANDEAU SERIGRAPHIE 3G	SERIGRAPH STRIP 3G
410913	TABLEAU DE CDE ALU 2G	CONTROL PANEL 2G
410914	TABLEAU DE CDE ALU 3G	CONTROL PANEL 3G
410971	SUPPORT BOITIER 5+1 TOUCHES	SUPPORT 5+1 PUSH BUTTON
410978	AXE GUIDAGE TABLEAU	PANEL AXIS
411023	CALE DISPLAY	DISPLAY SHIM

410900 DISPLAY COMPLET**DISPLAY ASSEMBLY**

410875	BLOC LCD	LCD BLOCK
410876	CAPOT DISPLAY	DISPLAY COVER
410877	DISPLAY	DISPLAY
410941	ECRAN DISPLAY	DISPLAY SCREEN
411032	VIS TC 2.5X8	SCREW 2.5X8

A partir du 02/2004**As from 02/2004**

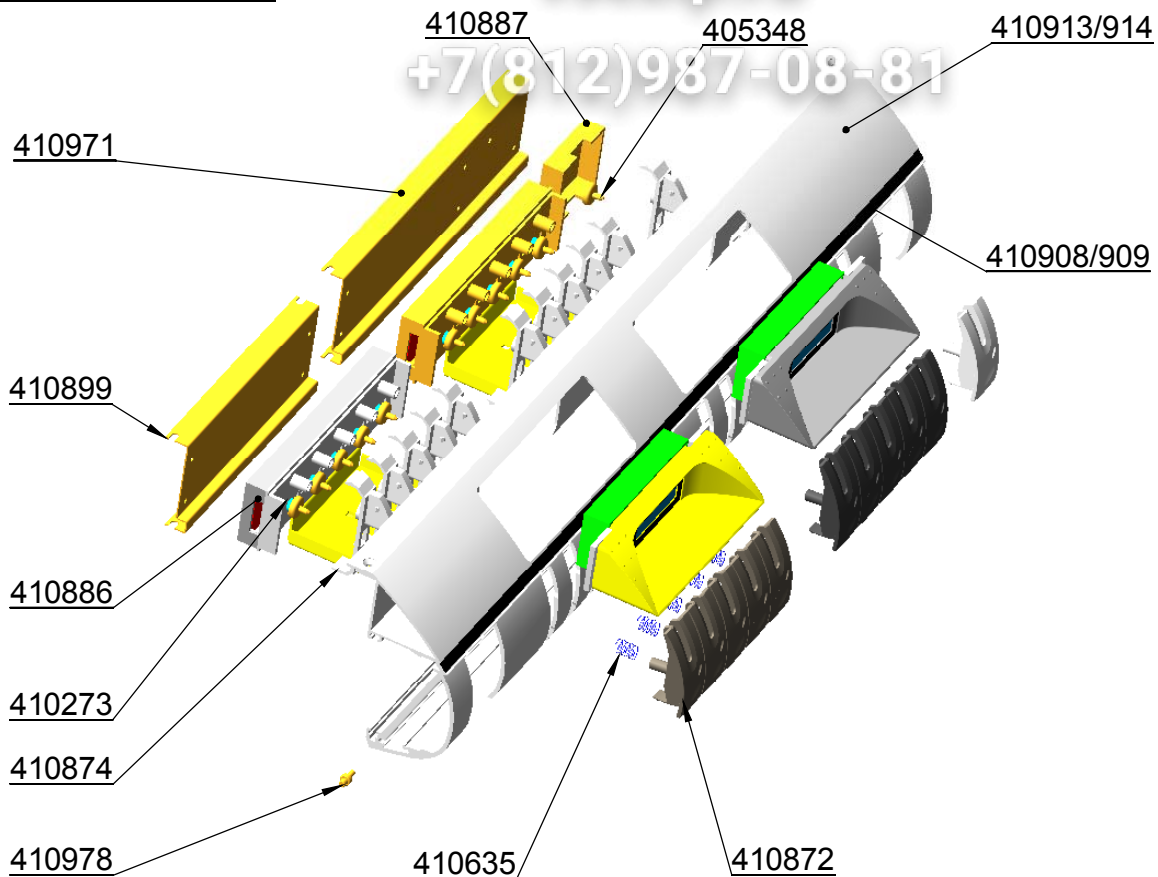
Suppression du

withdrawal

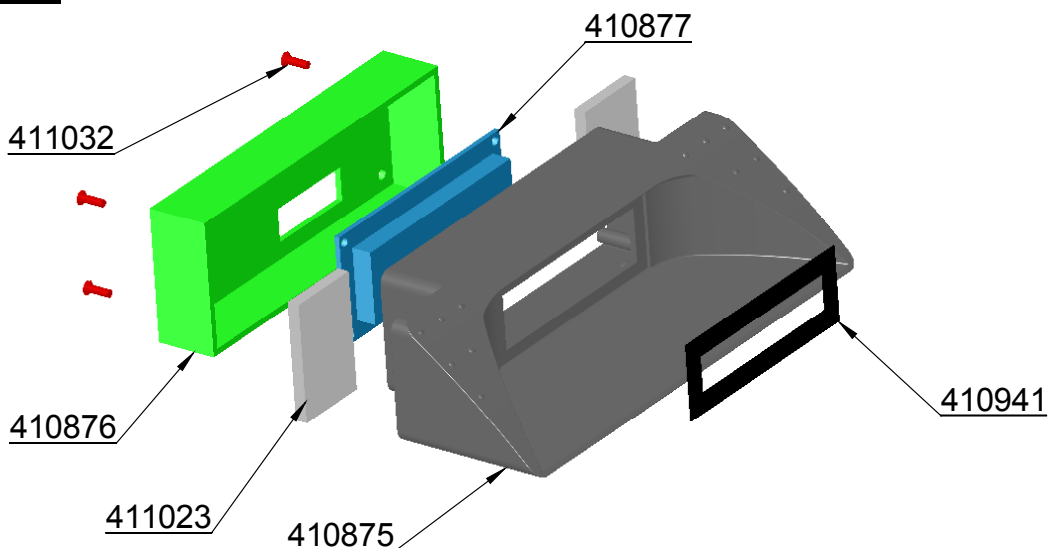
411268 RONDELLE NYLON TOUCHES

NYLON WASHER

411262 - 411263

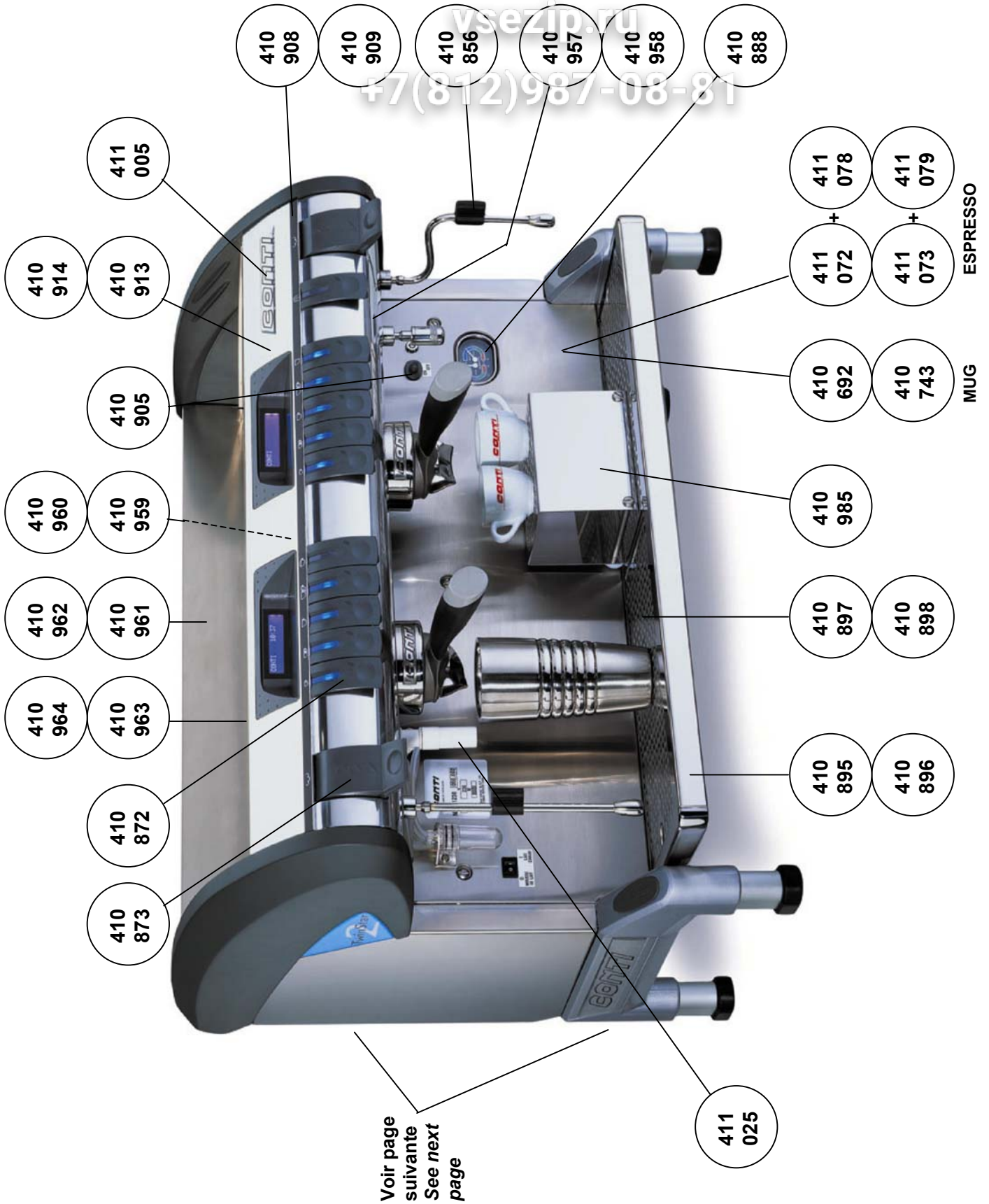


410900



CARROSSERIE

408895	BASSIN 2G	BASSIN 2G
408896	BASSIN 3G	BASSIN 3G
410692	FACADE ARRIERE 2G MUG	BACK PANEL 2G MUG
410743	FACADE ARRIERE 3G MUG	BACK PANEL 3G MUG
410856	PREHENSEUR TUBE DE 8	PROTECTION STEAM TUBE 8
410872	TOUCHE DE COMMANDE CAFE/EC	COFFEE/HOT WATER PUSH BUTTON
410873	TOUCHE COMMANDE VAPEUR	STEAM PUSH BUTTON
410888	MANOMETRE DOUBLE	TWO DIAL PRESSURE GAUGE
410897	EGOUTTOIR 2G	DRIP TRAY 2G
410898	EGOUTTOIR 3G	DRIP TRAY 3G
410905	INTERRUPTEUR M/A	SWITCH ON/OFF
410908	BANDEAU SERIGRAPHIE 2G	SERIGRAPH STRIP 2G
410909	BANDEAU SERIGRAPHIE 3G	SERIGRAPH STRIP 3G
410913	TABLEAU DE COMMANDE 2G	CONTROL PANEL 2G
410914	TABLEAU DE COMMANDE 3G	CONTROL PANEL 3G
410957	CARENAGE GROUPE AMOVIBLE 2G	FAIRING REMOVABLE 2G
410958	CARENAGE GROUPE AMOVIBLE 3G	FAIRING REMOVABLE 3G
410959	FACADE AVT INF 2G	FRONT PANEL (LOWER) 2G
410960	FACADE AVT INF 3G	FRONT PANEL (LOWER) 3G
410961	FACADE AVT SUP 2G	FRONT PANEL (UPPER) 2G
410962	FACADE AVT SUP 3G	FRONT PANEL (UPPER) 3G
410963	CHAUFFE-TASSES 2G	CUP-WARMER 2G
410964	CHAUFFE-TASSES 3G	CUP-WARMER 3G
411005	SIGNATURE CONTI	CONTI LOGO
411072	FACADE ARRIERE 2G ESPRESSO	BACK PANEL ESPRESSO 2G
411073	FACADE ARRIERE 3G ESPRESSO	BACK PANEL ESPRESSO 3G
411078	FACADE ARRIERE INF.2G ESPRESSO	BACK PANEL (LOWER) 2G ESPRESSO
411079	FACADE ARRIERE INF.3G ESPRESSO	BACK PANEL (LOWER) 3G ESPRESSO
410985	SUPPORT TASSE COMPLET	ESPRESSO CUP TRAY
411025	KIT CAPPUCCINATORE	KIT CAPPUCCINATORE
409984	RÉSISTANCE CHAUFFANTE P/CH.T	CUP WARMER RESISTOR



Voir page
suivante
See next
page

CARROSSERIE

410889 **PIETEMENT DROITE COMPLET** **UNDERFRAME COMPL RIGHT**
410890 **PIETEMENT GAUCHE COMPLET** **UNDERFRAME COMPL LEFT**

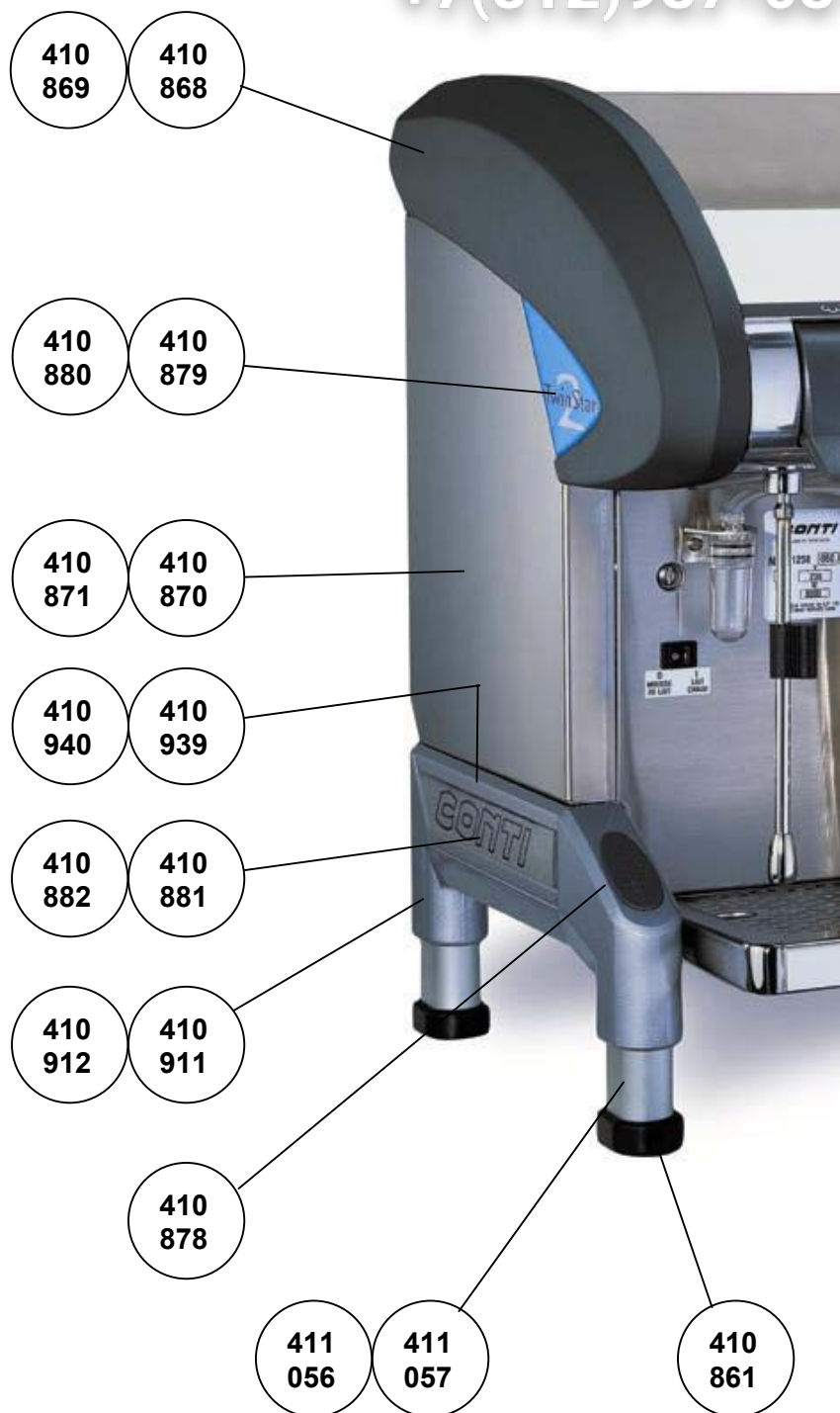
059410 RONDELLE ACIER Z DE 10 WASHER Ø10
246700 ECROU HU 10 AC.ZN HEX NUT Ø 10
410861 PIED OBLONG CAOUTCHOUC RUBBER FOOT
410878 CABOCHON COVER
410881 STICKER PIETEMENT CONTI DROIT CONTI STICKER RIGHT FOOT
410882 STICKER PIETEMENT CONTI GAUCHE CONTI STICKER LEFT FOOT
410883 INSERT M10 INSERT M10
410911 PIETEMENT ALU. USINE DROIT UNDERFRAME RIGHT
410912 PIETEMENT ALU. USINE GAUCHE UNDERFRAME LEFT
410937 VIS CHC 10 X 80 AC ZN SCREW 10X80
410938 PALIER PIETEMENT CINOX UNDERFRAME BEARING
411056 PIED OBLONG EXPORT TW2 FOOT (EXPORT)
411057 PIED OBLONG FRANCE TW2 FOOT (FRANCE)

410939 CACHE PIETEMENT DROIT INOX COVER UNDERFRAME RIGHT
410940 CACHE PIETEMENT GAUCHE INOX COVER UNDERFRAME LEFT

410891 **JOUE DROITE ENTIERE** **SIDE PANEL ASSEMBLY RIGHT**
410892 **JOUE GAUCHE ENTIERE** **SIDE PANEL ASSEMBLY LEFT**

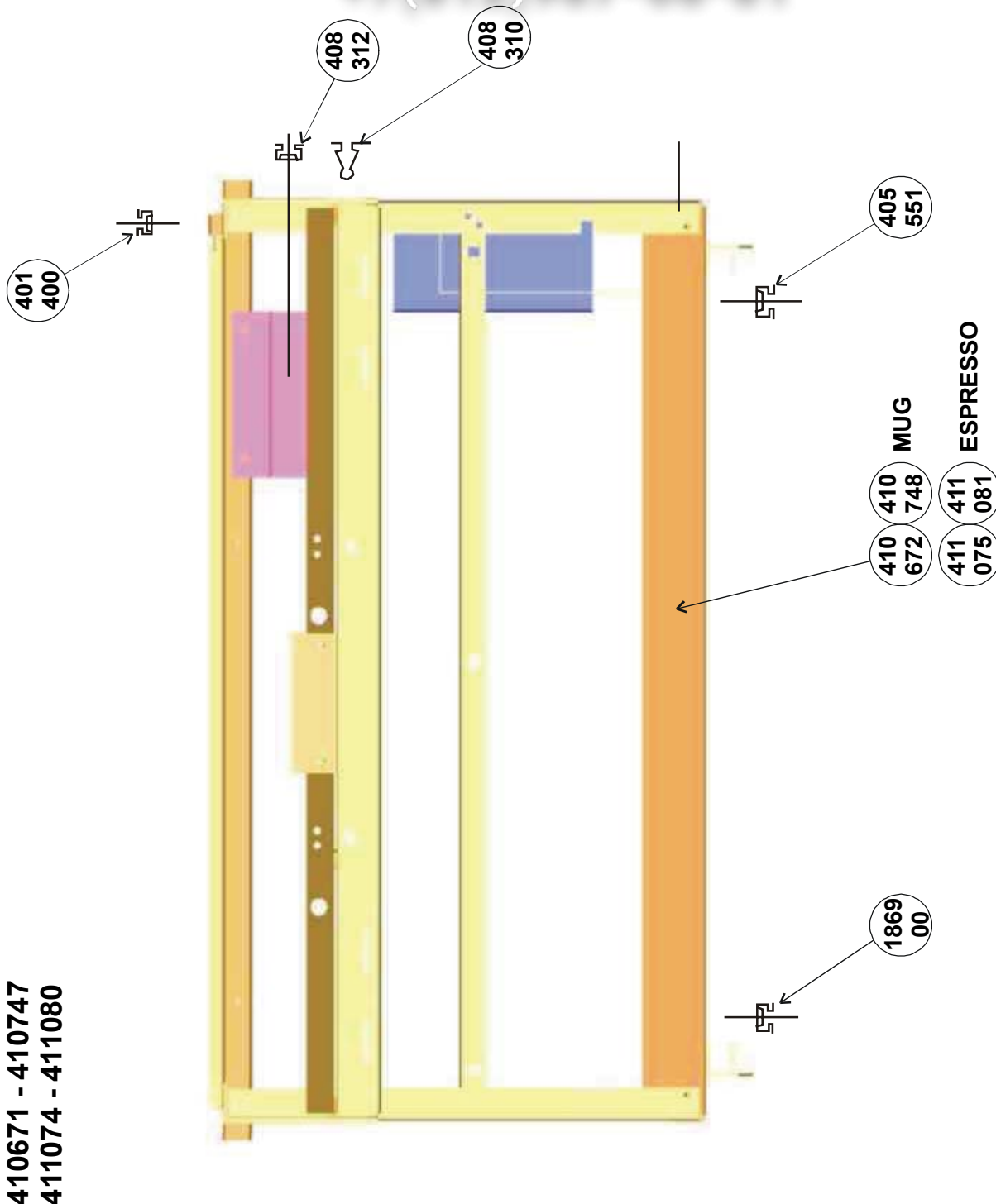
059700 RONDELLE ACIER Z DE 5 WASHER Ø5
071600 VIS CHC 5X10 INOX A2 SCREW 5X10
171300 COUVRE JOINT NOIR LE M. RUBBER PROTECTION BLACK
404281 RONDELLE L 5 INOX (5,5X16) WASHER L5 (5,5X16)
410868 JOUE DROITE RIGHT SIDE PANEL
410869 JOUE GAUCHE LEFT SIDE PANEL
410870 JOUE DROITE INOX RIGHT STAINLESS STEEL SIDE PANEL
410871 JOUE GAUCHE INOX LEFT STAINLESS STEEL SIDE PANEL
410879 STICKER JOUE DROITE STICKER RIGHT SIDE PANEL
410880 STICKER JOUE GAUCHE STICKER LEFT SIDE PANEL

410991 STICKER FACADE AVANT STICKER FRONT PANEL



<u>410671</u>	<u>CHASSIS EQUIPE 2G MUG</u>	<u>FRAME ASSEMBLY 2G MUG</u>
<u>410747</u>	<u>CHASSIS EQUIPE 3G MUG</u>	<u>FRAME ASSEMBLY 3G MUG</u>
<u>411074</u>	<u>CHASSIS EQUIPE 2G ESPRESSO</u>	<u>FRAME ASSEMBLY 2G ESPRESSO</u>
<u>411080</u>	<u>CHASSIS EQUIPE 3G ESPRESSO</u>	<u>FRAME ASSEMBLY 3G ESPRESSO</u>

186900	ECROU EN CAGE RAPID DE 6	CAPTIVE NUT Ø6
401400	ECROU EN CAGE DE 4	CAPTIVE NUT Ø4
405551	ECROU EN CAGE M5X1,2	CAPTIVE NUT M5X1,2
408310	ATTACHE FERMETURE RAPID	FASTENING CLIP
408312	ECROU EN CAGE M5	CAPTIVE NUT M5
410672	CHASSIS RIVETE 2G MUG	FRAME 2G MUG
410748	CHASSIS RIVETE 3G MUG	FRAME 3G MUG
411075	CHASSIS RIVETE 2G ESPRESSO	FRAME 2G ESPRESSO
411081	CHASSIS RIVETE 3G ESPRESSO	FRAME 3G ESPRESSO



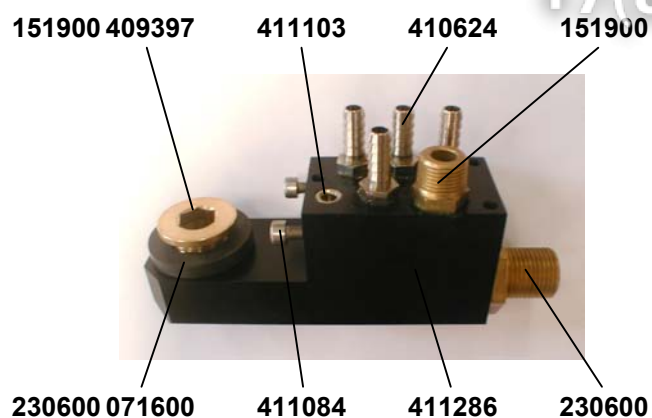
411307 BLOC VIDANGE CPLT (ESPRESSO) DRAIN ASSEMBLY (ESPRESSO)

071600	VIS CHC 5X10 INOX	SCREW 5X10
151900	BOUCHON RAC EVACUATION	PLUG
230600	RONDELLE ETANCHE	WASHER
409397	BOUCHON 1/8M	PLUG 1/8M
410624	MAMELON 3/8G	NIPPLE 3/8G
411084	BLOC VIDANGE	DRAIN BLOCK
411103	DOUILLE CANNELEE 1/2	JOINNING PIECE 1/2
411286	MAMELON 1/2 - 1/2 USINE	NIPPLE 1/2G - 1/2

410983 BLOC VIDANGE COMPLET (MUG) DRAIN ASSEMBLY (MUG)

071600	VIS CHC 5X10 INOX	SCREW 5X10
151900	BOUCHON RAC EVACUATION	PLUG
230600	RONDELLE ETANCHE	WASHER
410624	MAMELON 3/8G	NIPPLE 3/8G
411084	BLOC VIDANGE	DRAIN BLOCK
411085	MAMELON 1/2G	NIPPLE 1/2G
411103	DOUILLE CANNELEE 1/2	JOINNING PIECE 1/2

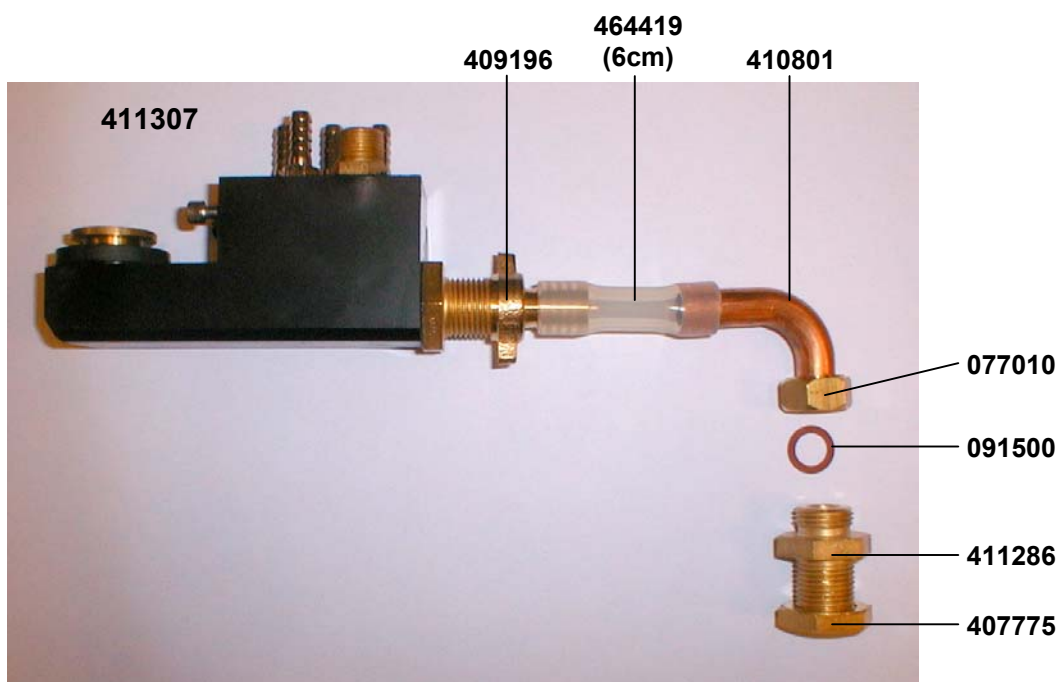
411307 (ESPRESSO)



410983 (MUG)



Ensemble évacuation / Drai complete (TWIN STAR ESPRESSO)



TUYAUTERIE

PIPEWORK

vsezip.ru

+7(812)987-08-81

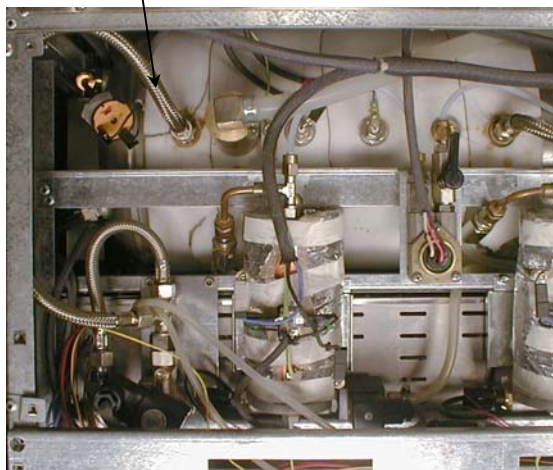
DESIGNATIONS	AFFECTATIONS	REFERENCE	Qté 2G	Qté 3G
TUBE ALIM GENERALE TW2	TE POMPE / CROIX DEBIMETRE DROIT	411311	1	1
TUBE ALIM RESEAU TW2	TE POMPE / TE BLOC ENTREE D'EAU	411312	1	1
TUBE ALIMENTATION CHAUDIERE CAFE et MANO	TE BLOC ENTREE D EAU / MANOMETRE PRESSION POMPE	411313	1	1
	CHAUDIERE CAFE / SORTIE DEBIMETRE		2	3
TUBE PRESSION VAPEUR 2G	CHAUDIERE VAPEUR / MANOMETRE VAPEUR 2G	411314	1	0
TUBE ALIM EC MITIGEUR 2G	CHAUDIERE VAPEUR / MITIGEUR 2G	411315	1	0
TUBE ALIM EF MITIGEUR	CROIX DEBIMETRE DROIT / MITIGEUR	411316	1	1
TUBE ALIM DEBIMETRE 3G	TE DEBIMETRE CENTRAL / DEBIMETRE GAUCHE	411317	0	1
TUBE ALIM DEBIMETRE 2G	CROIX DEBIMETRE DROIT / DEBIMETRE GAUCHE	411318	1	1
TUBE ALIM MANO ET MITIGEUR 3G	CHAUDIERE VAPEUR / MANOMETRE VAPEUR 3G	411319	0	1
	CHAUDIERE VAPEUR / MITIGEUR 3G		0	1
TUBE LIMITEUR	TUBE LIMITEUR PRESSION GROUPE CAFE	411100	2	3

DESIGNATION	ALLOCATION	REFERENCE	Qty 2G	Qty 3G
WATER SUPPLY PIPE	T - PUMP / FLOW METER CROSS RIGHT	411311	1	1
MAIN WATER SUPPLY PIPE	T- PUMP / T WATER SUPPLY BLOCK	411312	1	1
PIPE COFFEE BOILER SUPPLY /PRESSURE GAUGE	T WATER SUPPLY BLOCK / PUMP PRESSURE GAUGE	411313	1	1
	COFFEE BOILER / FLOW METER OUTLET		2	3
STEAM PRESSURE PIPE 2G	STEAM BOILER / STEAM PRESSURE SWITCH 2G	411314	1	0
PIPE MIXING TAP HOT WATER SUPPLY 2GR	STEAM BOILER/MIXING TAP 2G	411315	1	0
PIPE MIXING TAP COLD WATER SUPPLY	FLOWMETER CROSS STRAIGHT MIXING TAP	411316	1	1
FLOW METER SUPPLY PIPE 3G	FLOW METER -T CENTRAL / FLOW METER LEFT	411317	0	1
FLOWMETER SUPPLY PIPE 2G	FLOWMETER CROSS RIGHT / FLOWMETER LEFT	411318	1	1
PIPE PRESSURE SW & MIXING TAP	STEAM BOILER / STEAM PRESSURE SWITCH 3G	411319	0	1
	STEAM BOILER / MIXING TAP 3G		0	1
LIMITOR PIPE	PRESSURE LIMITOR PIPE / COFFEE GROUP	411100	2	3

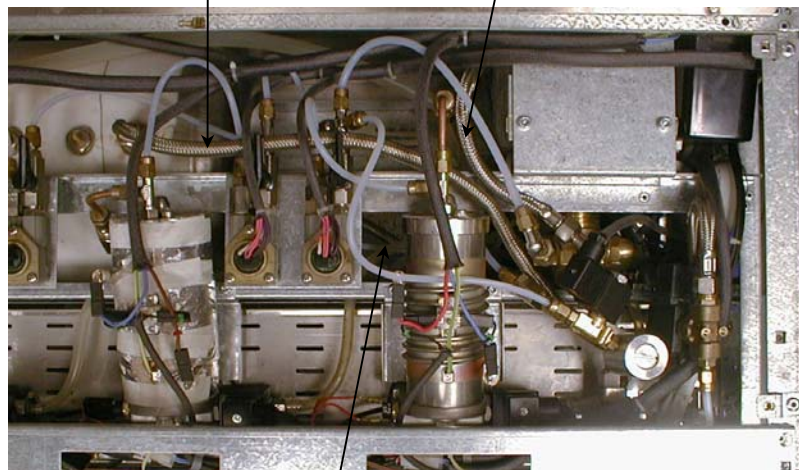
- | | | |
|--------|-------------------------------|------------------------|
| 411385 | COLLIER DE SERRAGE Ø9,6/11,3 | PIPE COLLAR Ø9,6/11,3 |
| 411386 | COLLIER DE SERRAGE Ø10,3/12,8 | PIPE COLLAR Ø10,3/12,8 |
| 411387 | COLLIER DE SERRAGE Ø20,3/23,5 | PIPE COLLAR Ø20,3/23,5 |

- | | | |
|--------|-------------------------------|----------------------------------|
| 410642 | FLEXIBLE LG 200 MM 3/8 FF | HEATED HOSE L. 200 MM 3/8 FF |
| 410643 | FLEXIBLE LG 300 MM 3/8 FF | HEATED HOSE L. 300 MM 3/8 FF |
| 411022 | FLEXIBLE LG 600 MM 3/8 F-F90° | HEATED HOSE L. 600 MM 3/8 F-F90° |
| 411432 | FLEXIBLE LG 500 MM 3/8 FF | HEATED HOSE L. 500 MM 3/8 FF |

410643 (2/3G)



411432 (2G)
411022 (3G)



411432 (2/3G)



410642 (2G)
410643 (3G)

	2G	3G
VAPEUR GAUCHE / CHAUDIERE LEFT STEAM / BOILER	410643	410643
VAPEUR DROITE / CHAUDIERE RIGHT STEAM / BOILER	411432	411022
BLOC ENTREE EAU / CHAUDIERE VAPEUR WATER INLET CONTROL / STEAM BOILER	410642	410643
RACCORD ENTRE EAU / POMPE WATER INLET CONNECTOR / PUMP	411432	411432

411270 KIT LANCE VAPEUR (MUG) KIT JET STEAM (MUG)
411283 KIT LANCE VAPEUR (ESPRESSO) KIT JET STEAM (ESPRESSO)

+7(812)987-08-81

258000	JOINT 8X14,3X1,5	O'RING 8X14,3X1,5
389100N	TE SERTO 3/8	T-PIECE 3/8
403985N	MAMELON 1/8G - 1/8G-SO.1100 NICKELE	NIPPLE 1/8G - 1/8G-SO.1100
403986N	MAMELON 1/4G - 1/8G NICKELE	NIPPLE 1/4G - 1/8G
403989	ECROU "SERTO" SO 20-6 1/8	NUT „SERTO“ SO 20-6 1/8
403990	ANNEAU "SERTO" SO 1-6	RING "SERTO" SO 1-6
405727N	MAMELON 3/8NPT - 1/4GAZ NICKELE	NIPPLE 3/8NPT - 1/4GAZ
409961	DOUILLE APPUI SO.6-4	SUPPORT SOCKET SO.6-4
410642	FLEXIBLE LG 200 MM 3/8 FF	SHEATED HOSE L. 200 MM 3/8 FF
411271N	ROBINET LANCE NICKELE	STEAM JET TAP
411272N	CORPS DE ROBINET LANCE	TAP BODY
411273	EV 2V 230V 60HZ LANCE VAPEUR	SOLENOID VALVE 2-WAY 230V 60HZ
411274	SORTIE LANCE VAPEUR (MUG)	JET STEAM OUTLET (MUG)
411278	PATTE GUIDAGE LANCE VAPEUR	GUIDING HOOK
411285	SORTIE LANCE VAPEUR (ESPRESSO)	JET STEAM OUTLET (ESPRESSO)
411401	PATTE FIXATION RADIATEUR	RADIATOR FIXING BRACKET
411407N	ADAPTATEUR 3/8M - 3/8F	ADAPTER 3/8M - 3/8F
900406	TUBE PTFE 4X6	PIPE 4X6 PTFE



Branchement de la sonde lance vapeur
 Connection of the jet steam

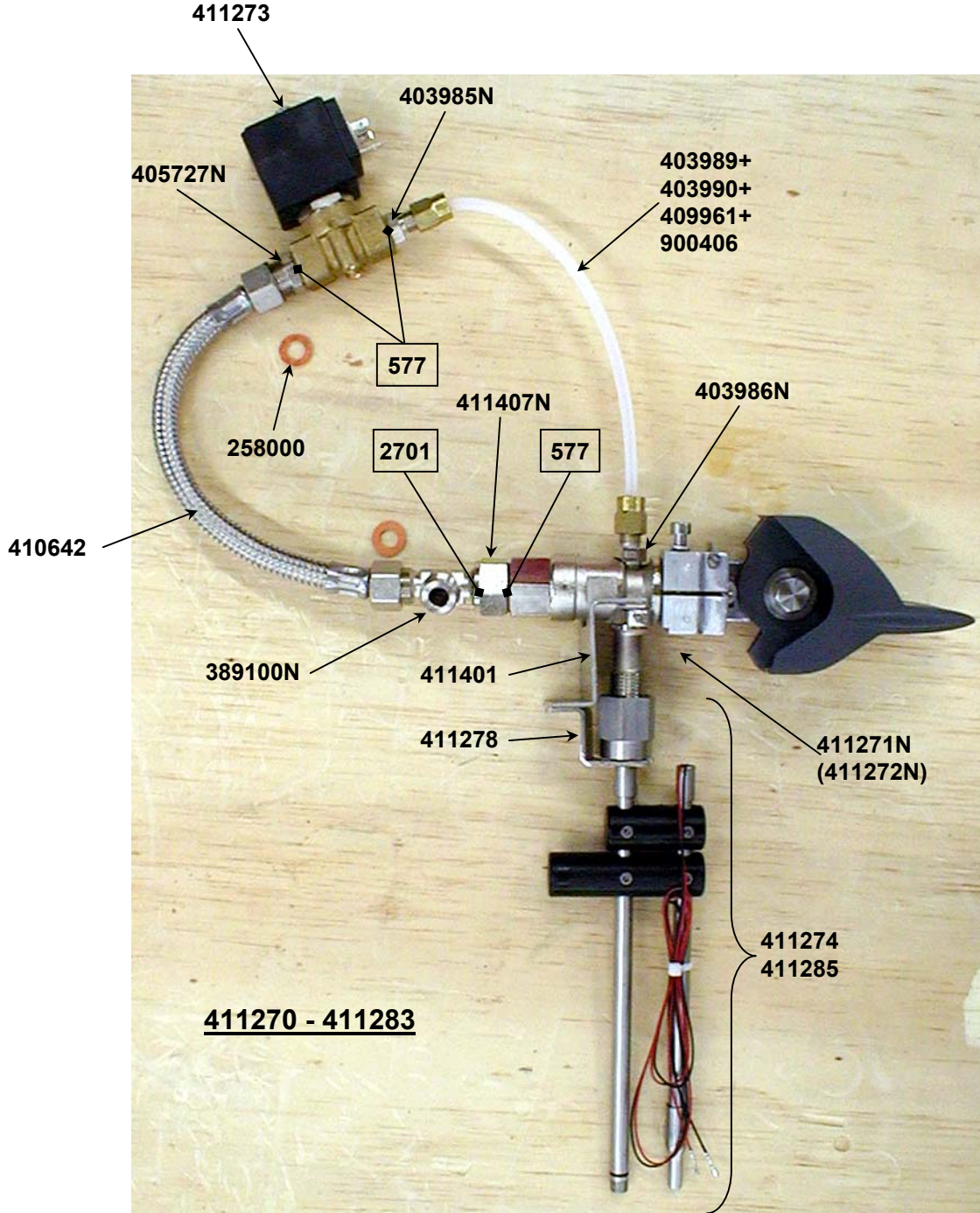
COLLE ET GRAISSE**GLUE AND GREASE**

577 307750
2701 1000109

COLLE TUBETANCHE 577
COLLE LOCTITE 2701 GEL

GLUE 577 WATERTIGHT TUBE
GLUE 2701

+7(812)987-08-81



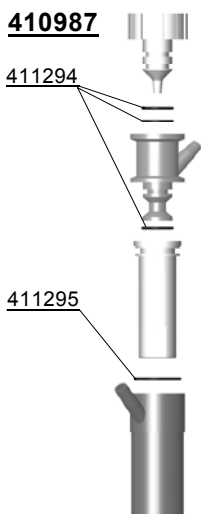
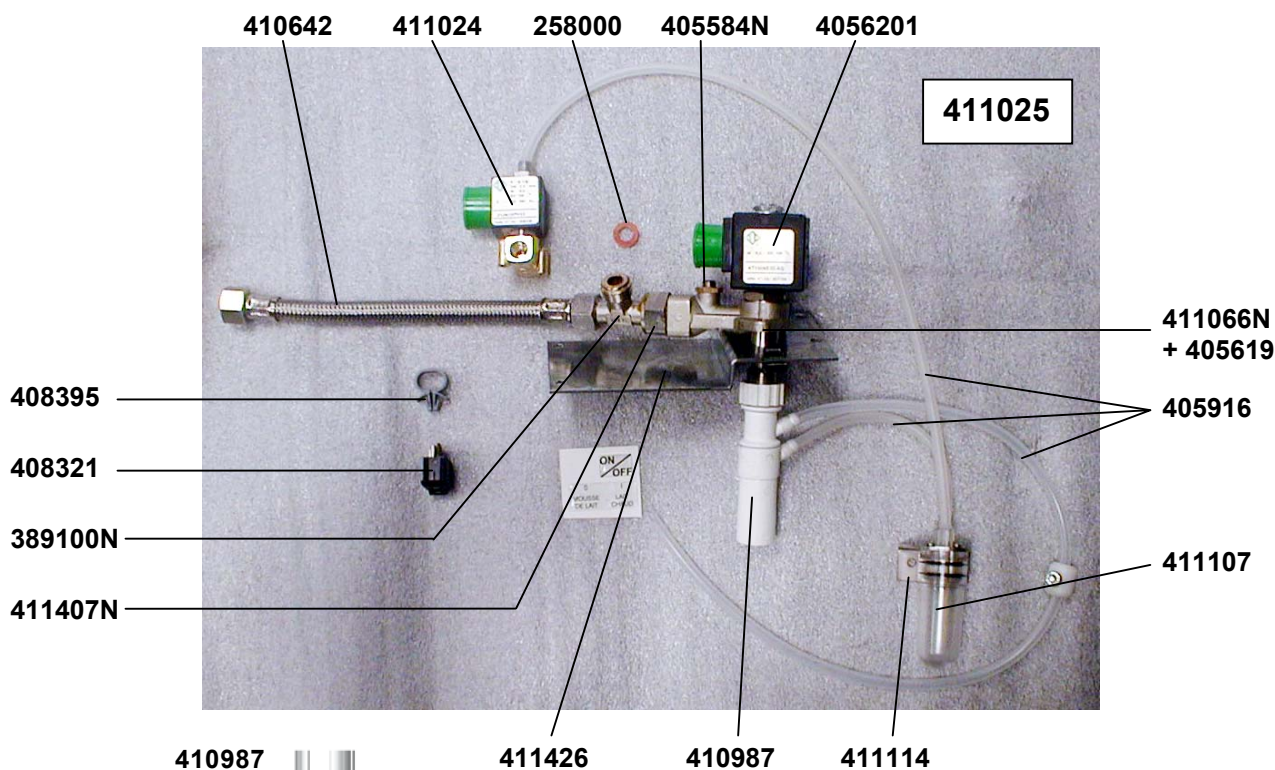
vsezip.ru
+7(812)955-1381

411025 KIT CAPPUCCINATORE

- 258000 JOINT 8X14,3X1,5
- 405584N VIS REGL.DEBIT NICKELE
- 4056201 EV.PILOTE 2V.220V 60HZ UL
- 405916 TUBE SILICONE 3X6
- 408321 INTERRUPTEUR 2 POLES ON/OFF
- 408395 SERRE CABLE NYLON Ø14
- 410642 FLEXIBLE LG 200 MM 3/8 FF
- 410987 CAPPUCCINATORE COMPLET
- 411024 EV.3V.220/60 5W UL
- 411066N CORPS ROBINET ELEC.CAPPU NICKELE
- 411107 DECANTEUR LAIT COMPLET
- 411407N ADAPTATEUR 3/8M - 3/8F
- 411114 SUPPORT DECANTEUR
- 411426 SUPPORT CAPPUCCINATORE

KIT CAPPUCCINATORE

- GASKET 8X14,3X1,5
- ADJUSTING SCREW
- SOLENOID VALVE 2-WAY 220V 50/60HZ
- SILICON PIPE 3X6
- SWITCH ON/OFF
- CABLE CLAMP NYLON Ø14
- SHEATED HOSE L. 200 MM 3/8 FF
- CAPPUCCINATORE COMPLET
- SOLENOID VALVE 3-WAY 220V 60HZ 5W UL
- TAP BODY CAPPU
- DECANTATION PAN COMPL
- ADAPTER 3/8M - 3/8F
- DECANTATION PAN SUPPORT
- CAPPUCCINATORE SUPPORT



411296 KIT RECHANGE JOINT

SET OF GASKETS

- 411294 JOINT TORIQUE Ø12
- 411295 JOINT TORIQUE Ø18

- O-RING Ø12
- O-RING Ø18

- 4652041 LIQUIDE NETTOYAGE 125ML

- CLEANING LIQUID 125ML

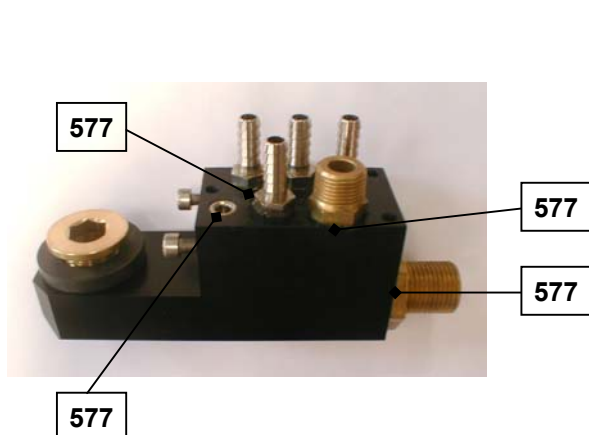
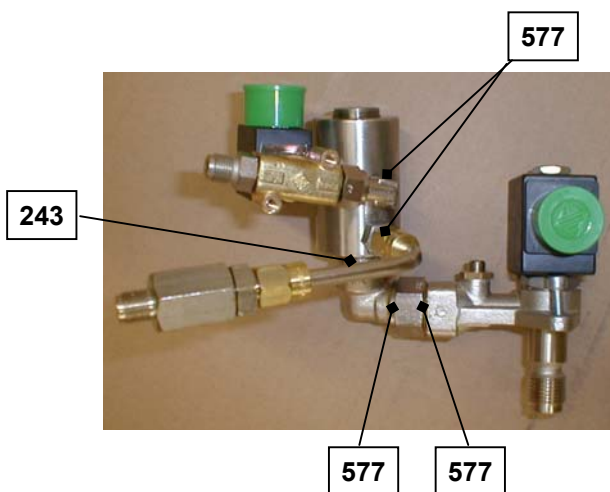
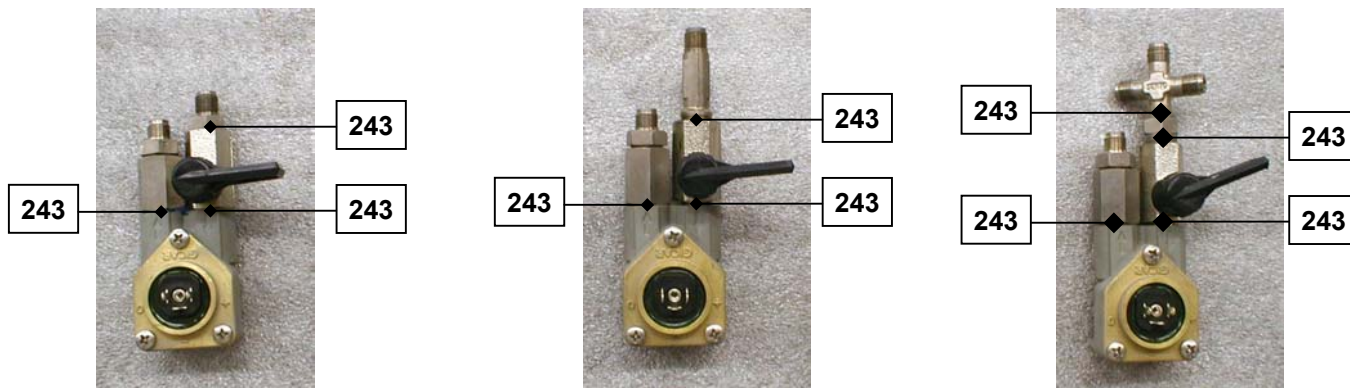
FIXATION DES ÉLÉMENTS
COLLE ET GRAISSE

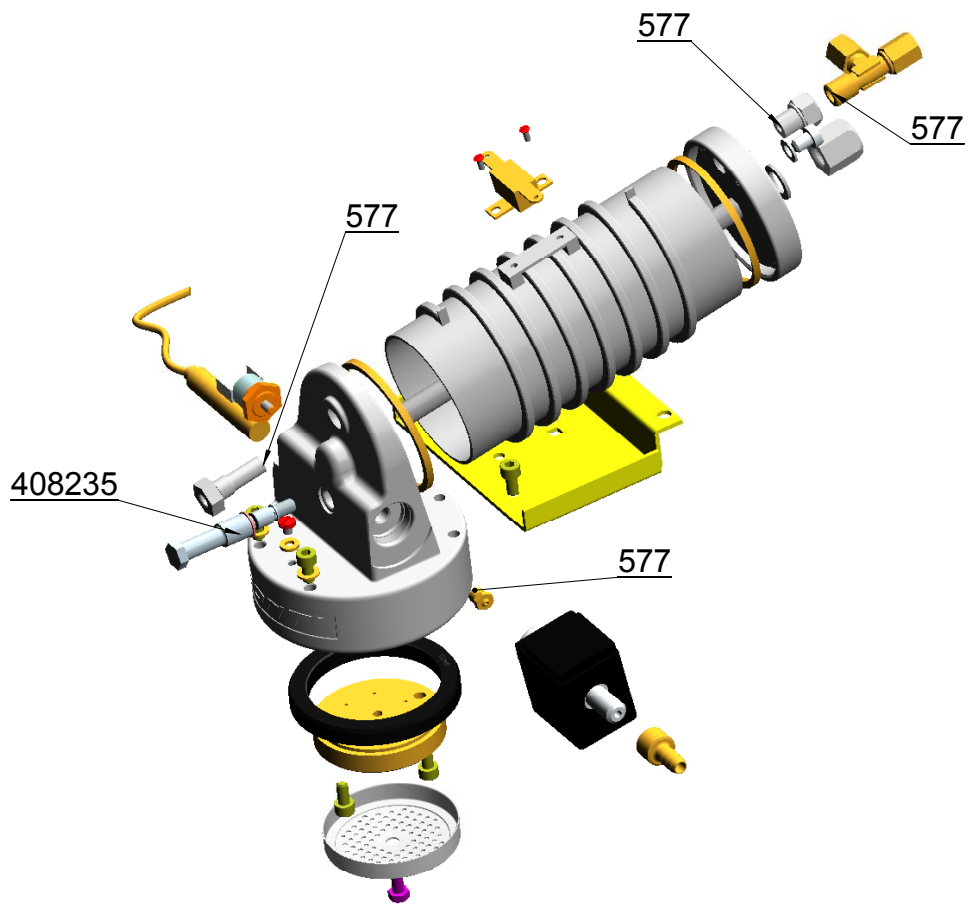
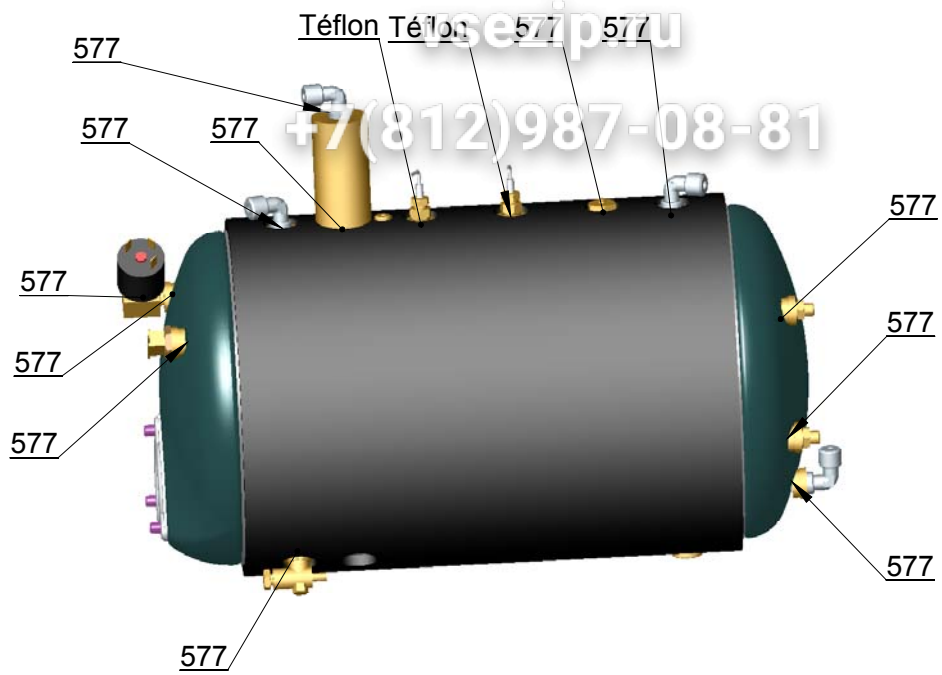
COMPONENT STICKING
GLUE AND GREASE

vsezip.ru

+7(812)987-08-81

577	307750	COLLE TUBETANCHE 577	GLUE 577 WATER TIGHT TUBE
243	308000	COLLE FREIN FILET 243	GLUE 243 THREADING
	408235	GRAISSE ALIMENTAIRE	GREASE





PIECES DETACHEES POUR L'ENTRETIEN**SPARE PARTS FOR MAINTENANCE****411565 KIT A (USURE) TWIN STAR 2**

002700	JOINT DE PORTE-FILTRE EP.8
029300	CLAPET LIMITEUR 10X4 VITON
055300	JOINT TORIQUE 12,1X2,7
061200	JOINT TORIQUE 13,6X2,7
087520	JOINT TORIQUE 5.7X1.9
091500	JOINT FIBRE 18X12X1
230600	RONDELLE ETANCHE
258000	JOINT 8X14,3X1,5
355900	DOUCHETTE A GRILLE
400039	JOINT TORIQUE 2,6X1,9
401320	RONDELLE D'APPUI
4057224	POMPE B.P.& FILTRE 120L
405348	AMORTISSEUR POUSSOIR
407501	JOINT LEVRE 5,4X14,5X9,8
407502	CLAPET 13X5X4
408898	DEPRESSEUR
409631	JOINT TORIQUE 12X2 FKM80
410616	BAGUE BSB 10 EP 851
410619	JOINT CHAUDIERE 59X64X3,2
410635	RESSORT BOUTON Ø10
410838	JOINT TORIQUE 6X1 EPDM 70
411121	GICLEUR Ø0,6
411433	PORTE GICLEUR

411566 KIT B (URGENT) TWIN STAR 2

367920	EV 2V 220V-60Hz 1/4G UL
4030652N	CLAPET ANTI RETOUR 1/8G
403466NSF	TURBINE SEULE
403988N	ANTIRETOUR 1/4G-1/8G
4056201	ELECTROVANNE 2 VOIES 220V 50/60HZ
4057224	POMPE B.P.& FILTRE 120L
409125N	ANTIRETOUR 1/4 - 3/8
409774N	LIMITEUR 12 BARS
410615	PILOTE EV 3V 230V.50/60HZ
410620	CHAUDIERE CAFE 1600W INOX
410633	THERMOSTAT 230° C
410634	THERMOSTAT 160° C
410872	TOUCHE COMMANDE CAFE/EC
410873	TOUCHE COMMANDE VAPEUR
410874	LIGHTPIPE
411490	FUSIBLE 10A 5X20 TEMPORISE
4651611	PRESSOSTAT 1,5 BAR

411567 KIT C (STOCK) TWIN STAR 2

405892	CONTACTEUR 220V G.M.
410621	SOUPAPE 3 BARS
410626	BOITE A RELAIS
410628	SONDE DE TEMP. L=1500 MONTEE
410707	GROUPE CINOX COMPLET
410884	THERMOPL. 4500W 220-380V LG320 + JT
410885	CENTRALE ELECTRONIQUE 2/3G
410888	MANOMETRE DOUBLE
411312	TUBE ALIMENTATION RESEAU
411316	TUBE ALIMENTATION EF MITIGEUR
411319	TUBE ALIMENTATION MANO ET MITIGEUR

KIT A (WEAR)

FILTER HOLDER GASKET
LIMITER VALVE SEAL 10X4
O-RING 12,1X2,7
O-RING 13,6X2,7
O-RING 5.7X1.9
GASKET 18X12X1
WASHER
O-RING 8X14,3X1,5
SPRINKLER
O-RING 2,6X1,9
WASHER
PUMP B.P.& FILTER 120L
PUSH BUTTON DAMPER
LIP SEAL 5,4X14,5X9,8
WASHER 13X5X4
VACUUM VALVE
O-RING 12X2 FKM80
RING BSB 10 EP 851
BOILER GASKET 59X64X3,2
SPRING Ø10
O-RING 6X1 EPDM 70
SPRAY NOZZLE Ø0,6
SPRAY NOZZLE RECEIVER

KIT B (EMERGENCY)

SOLENOID VALVE 2-WAY 220V-60Hz UL
CHECK VALVE 1/8G
FLOWMETER
CHECK VALVE 1/4G - 1/8G
SOLENOID VALVE 2-WAY 220V 50/60HZ
PUMP B.P.& FILTER 120L
CHECK VALVE 1/4 - 3/8
LIMITER 12 BARS
SOLENOID VALVE 3WAY 230V.60HZ
COFFEE BOILER 1600W STAINLESS STEEL
THERMOSTAT 230° C
THERMOSTAT 160° C
COFFEE/HOT WATER PUSH BUTTON
STEAM PUSH BUTTON
LIGHT PIPE
TEMPORIZED FUSE 10A 5X20
PRESSURE SWITCH 1,5 BAR

KIT C (STOCK)

CONTACTOR 220V
VALVE 3 BARS
RELAY BOX
TEMPERATURE SENSOR
ESPRESSO GROUP COMPLETE
HEAT. ELEMENT 4500W 220-380V LG320 + O-RING
MAIN BOARD 2/3G
TWO DIAL PRESSURE GAUGE
MAIN WATER SUPPLY PIPE
PIPE MIXING TAP COLD WATER SUPPLY
PIPE PRESSURE SW & MIXING TAP

Зип Общепит

vsezip.ru

+7(812)987-08-81

