

Зип Общепит
CONTI
vsezip.ru

+7(812)987-08-81

Club



PIECES DETACHEES SPARE PARTS

CONTI - Edition 10/2004

SACOME, Document CONFIDENTIEL, Ne peut être reproduit ni communiqué sans notre accord préalable.
SACOME, CONFIDENTIAL Document, it is forbidden to duplicate or communicate this document without previous authorization.

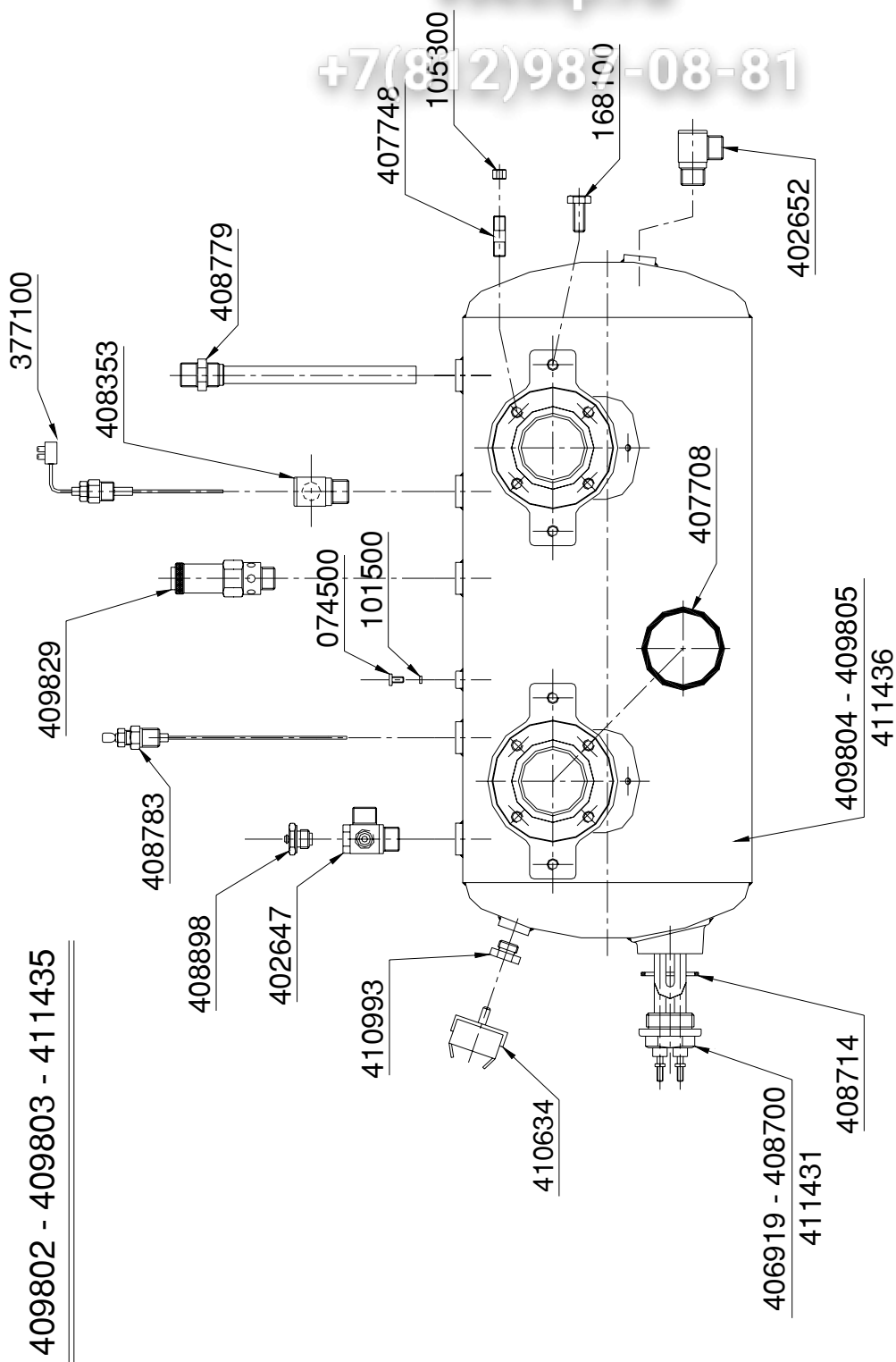
Зип Общепит

vsezip.ru

+7(812)987-08-81

<u>PAGE</u>	<u>DESIGNATION</u>	<u>DESIGNATION</u>
3.	CHAUDIERE - THERMOPLONGEUR	BOILER - HEATING ELEMENT
5.	GROUPE I.D.	D.I. UNIT
7.	TURBINE	TURBINE
9.	PORTE-FILTRES	FILTER HOLDERS
11.	ROBINET DE PUISAGE - SORTIE VAPEUR - SORTIE EAU CHAUDE	TAP - STEAM OUTLET - HOT WATER OUTLET
13.	BLOC ENTREE EAU	WATER INLET CONTROL UNIT
15.	BLOC VIDANGE - LIMITEUR - CLAPET ANTI RETOUR	DRAINING PIECES - RELIEF DEVICE NON RETURN VALVE
17.	TUYAUTERIE	PIPEWORK
19.	MOTO-POMPE	MOTOR PUMP
21.	THERMOSTAT DE SECURITE - PRESSOSTAT POUSSOIR - CABLE POUSSOIR - FAISCEAU	SAFETY THERMOSTAT - PRESSURE SWITCH CONTROL BOARD - POWER CABLE - WIRING
23.	CARROSSERIE GENERALE	MAIN FRAME
25.	JOUES COULEUR	COLOURED SIDE PANELS
27.	ACCESSOIRES - POCLETTE JOINTS - CHIPCARD	ACCESSORIES - GASKET SET - CHIPCARD
28.	PIÈCES DÉTACHÉES POUR L'ENTRETIEN	SPARE PARTS FOR MAINTENANCE
29.	FIXATION DES ÉLÉMENTS	COMPONENT STICKING

<u>409802</u>	<u>CHAUDIERE EQUIPEE 1G</u>	<u>1G EQUIPPED BOILER</u>
<u>409803</u>	<u>CHAUDIERE EQUIPEE 2G</u>	<u>2G EQUIPPED BOILER</u>
<u>411435</u>	<u>CHAUDIERE EQUIPEE 3G</u>	<u>3G EQUIPPED BOILER</u>
074500	VIS TCL 4X6 INOX	SCREW 4X6
105300	ECROU H8	NUT Ø8
101500	RONDELLE EV AZ4 ZN	WASHER AZ4 ZN
168100	VIS TH 8X20	SCREW 8X20
402647	TE SONDE + DEPRESSEUR	T-PIECE PROBE LEVEL
402652	COUDE 3/8	ANGLE JOINT 3/8
407708	JOINT TORIQUE 50,39X3,53	O'RING 50,39X3,53
407748	GOIJON M8X28	STUD M8X28
408353	COUDE 3/8M - 1/4M - 1/4F	ANGLE JOINT 3/8M - 1/4M - 1/4F
408779	TUBE PLONGEUR EAU CHAUDE	HOT WATER PLUNGE TUBE
409804	CHAUDIERE SOUDEE 1G	1G WELDED BOILER
409805	CHAUDIERE SOUDEE 2G	2G WELDED BOILER
411436	CHAUDIERE SOUDEE 3G	3G WELDED BOILER
410993	BOUCHON 3/8" POUR KLIXON	STOPPER 3/8"
377100	SONDE ALIM. AUTO. L120	AUTOMATIC LEVEL SENSOR L120
406919	THERMOPL. 1450W 230V L165	HEATING ELEMENT 1450W 230V L165
408700	THERMOPL. 2500W 230V L360	HEATING ELEMENT 2500W 230V L360
408714	JOINT THERMOPLONGEUR	HEATING ELEMENT SEAL
408783	SONDE SECURITE L155	SAFETY SENSOR L155
408898	DEPRESSEUR 1/4	VACCUM PUMP VALVE 1/4
409829	SOUPAPE SECURITE 1.6-1.8B	SAFETY VALVE 1.6-1.8B
410634	KLIXON SECURITE TEMPERATURE	SAFETY TEMPERATURE KLIXON
411431	THERMOPL. 3400W 230V L550	HEATING ELEMENT 3400W 230V L550
<u>En option</u>		<u>Optional</u>
406921	THERMOPL. 1700W 110V L177 UL	HEATING ELEMENT 1700W 110V L177 UL
411004	THERMOPL. 2500W 230V L250	HEATING ELEMENT 2500W 230V L250

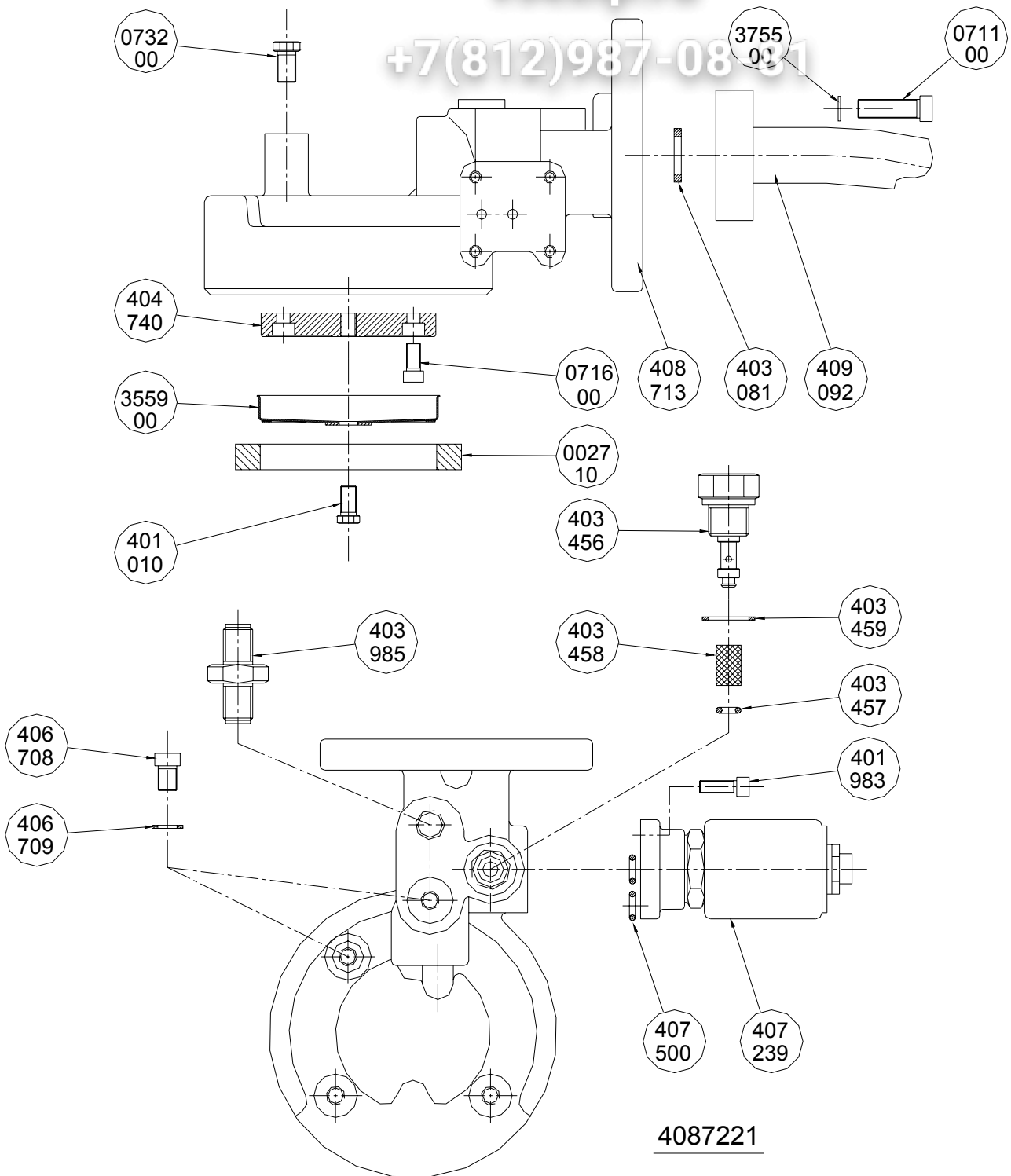


4087221 GROUPE I.D ECHANGEUR LONG ID UNIT WITH LONG EXCHANGER

002710	JOINT DE PORTE-FILTRE ép.8,3	FILTER HOLDER SEAL
071100	VIS CHC 6X20 INOX	SCREW 6X20
071600	VIS CHC 5X10 INOX	SCREW 5X10
073200	VIS TH 6X10 INOX	SCREW 6X10
355900	DOUCHETTE A GRILLE	SPRINKLER
375500	RONDELLE Z6 INOX	WASHER Z6
401010	VIS TH 5X10 INOX	SCREW 5X10
401983	VIS CHC 4X12 INOX	SCREW 4X12
403081	JOINT TEFLON 17,3X12,1X2,3	TEFLON GASKET 17,3X12,1X2,3
403456	GICLEUR	SPRAY NOZZLE
403457	JOINT TORIQUE 4,2X1,9	O'RING 4,2X1,9
403458	FILTRE 8X13	FILTER 8X13
403459	JOINT CUIVRE 13,1X17X1	COPPER GASKET 13,1X17X1
403985	MAMELON 1/8G - 1/8G	STUD 1/8" - 1/8"
404740	DIFFUSEUR	DIFFUSER
406708	VIS CHC 6X8 INOX	SCREW 6X8
406709	JOINT CUIVRE 6,2X10X1	COPPER GASKET 6,2X10X1
407239	EV 3 VOIES VITON 220V 50HZ	SOLENOID VALVE 200V 50HZ 3 WAYS
407500	JOINT PTFE 9,2X6X1,4	GASKET 9,2X6X1,4 PTFE
409092	ECHANGEUR IDDV SOUDE LONG	LONG HEATING EXCHANGER
408713	CORPS DE GROUPE ID	BODY UNIT

Pour les machines UL**For the UL machines**

401816	EV 3 VOIES 110V 60HZ	SOLENOID VALVE 110V 60HZ 3 WAYS
--------	----------------------	---------------------------------



410311 TURBINE EQUIPEE CCLUB 1G **CCLUB 1G TURBINE**
411046 TURBINE EQUIPEE CCLUB 2/3G **CCLUB 2/3G TURBINE**

401982 VIS CHC 4X8 INOX SCREW 4X8
 403466 COMPTEUR VOLUMETRIQUE FLOW METER
 403986 MAMELON 1/4G - 1/8G STUD 1/4G - 1/8G
 409830 TE 3X1/4 M T-PIECE 3X1/4M
 410263 SUPPORT TURBINE TURBINE SUPPORT

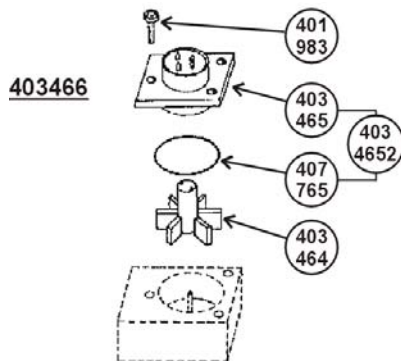
410325 TUBE DECOMPRESSION 1G RELIEF PIPE 1G
 410326 TUBE ALIMENTATION A TURBINE 1G TURBINE FEED PIPE 1G
 411048 TUBE PTFE 18cm PIPE PTFE 18cm

404438 BOUCHON 1/4F GAZ DE DISTR. STOPPER 1/4F
 411049 TUBE TURBINE A GROUPE 2G PIPE FOR GROUP TO TURBINE 2G
 411050 TUBE TURBINE A TURBINE PIPE FOR TURBINE TO TURBINE
 411051 TUBE ALIMENTATION A TURBINE 2G TURBINE FEED PIPE 2G

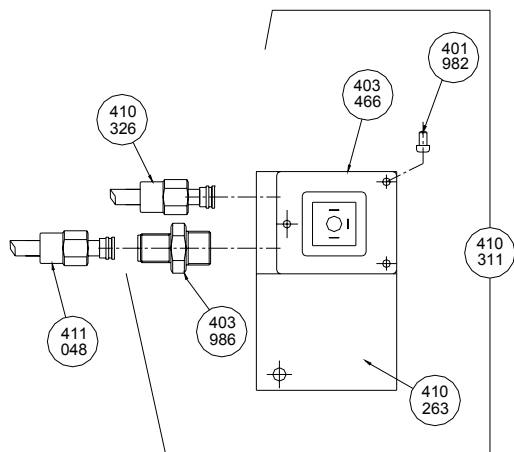
900305 TUBE PTFE 3X5 PTFE TUBING 3X5
 900406 TUBE PTFE 4X6 PTFE TUBING 4X6

403466 COMPTEUR VOLUMETRIQUE **FLOW METER**

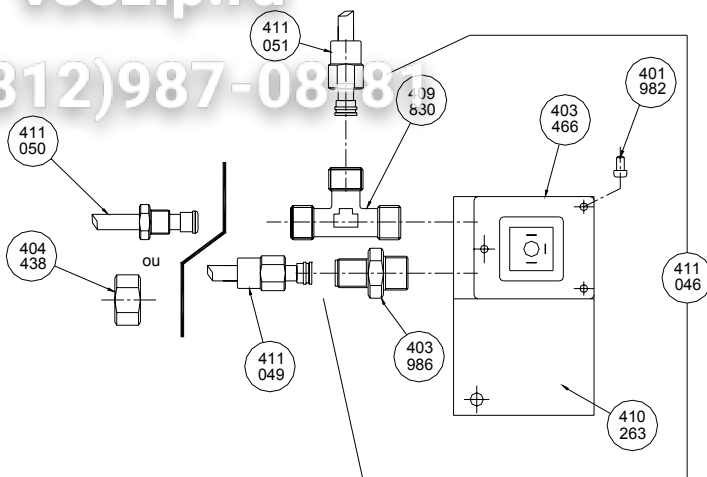
401983 VIS CHC 4X12 INOX SCREW 4X12
 403464 ROUE DE TURBINE TURBINE WHEEL
 403465 COUVERCLE DE TURBINE TURBINE COVER
 4034652 COUVERCLE DE TURBINE + JOINT TURBINE COVER + GASKET
 407765 JOINT TORIQUE 28,3X1,7 O'RING 28,3X1,7
 remplace le 403451 Replace the 403451



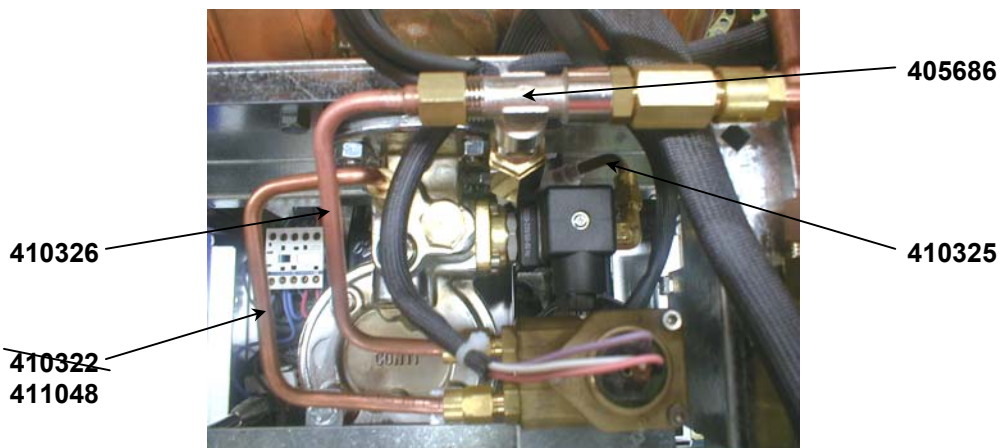
1G



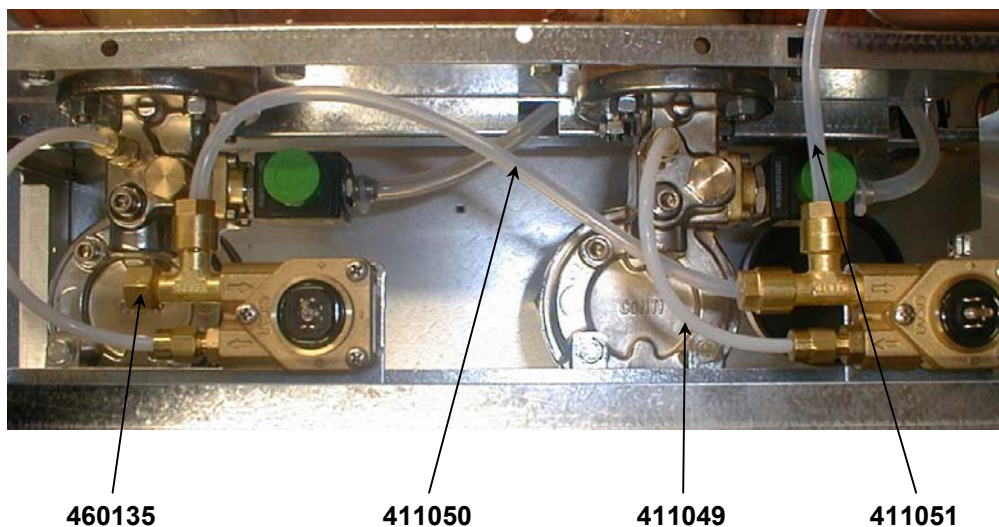
2/3G



1G



2/3G



ATTENTION : Les filtres ne sont pas fournis avec nos porte-filtres complets. Les commander séparément.
 WARNING : Filters are not supplied with our filter-holders. They have to be ordered separately.

+7(812)987-08-81

<u>407165</u>	<u>P.F. GRIS 1 TASSE</u>	<u>GREY 1 CUP FILTER HOLDER</u>
<u>407926</u>	<u>P.F. GRIS 2 TASSES</u>	<u>GREY 2 CUP FILTER HOLDER</u>

016700	FILTRE 2 TASSES HT.24 16g	2 CUP FILTER HT.24 16g
016711	CLIPS POUR FILTRE	FILTER CLIPS
016840	FILTRE 1 TASSE HT.20 8g	1 CUP FILTER HT.20 8g
227920	BEC 2 VOIES 3/8"	2 WAY NOZZLE
228400	RONDELLE POIGNEE PF	HANDLE WASHER
405144	BEC 1 VOIE 3/8 DROIT	1 WAY NOZZLE
405327	POIGNEE P.F. GRIS MET.	GREY FILTER HOLDER HANDLE
408157	BOUCHON ROB. PF. ROUGE	RED END CAP
4056791	CORPS P.F. 3/8 1T-2T-3T	1 CUP- 2 CUP- 3 CUP FILTER HOLDER

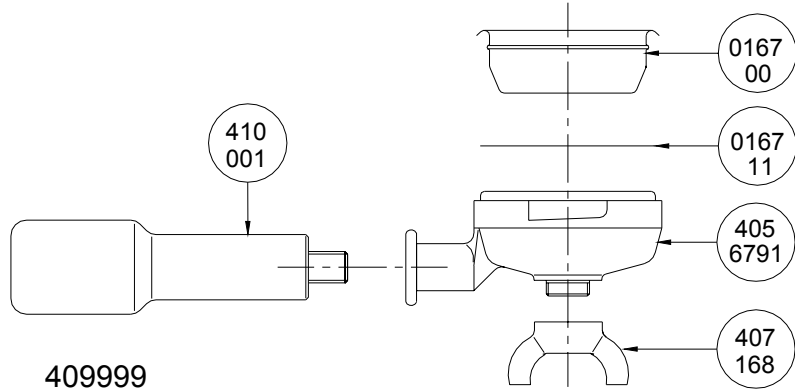
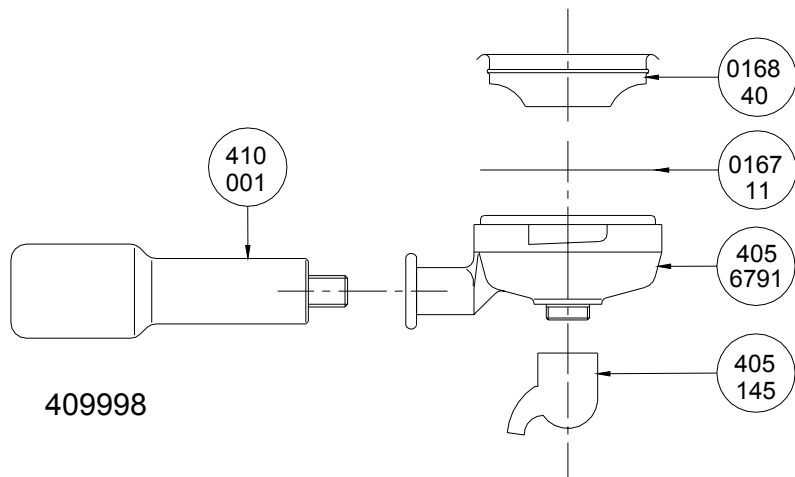
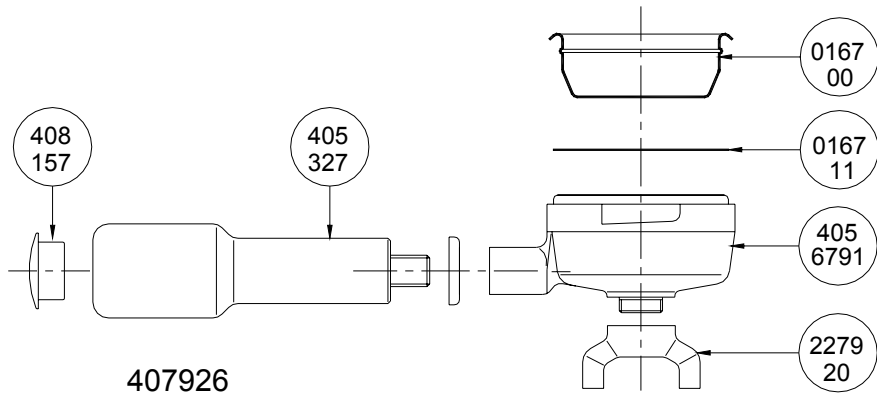
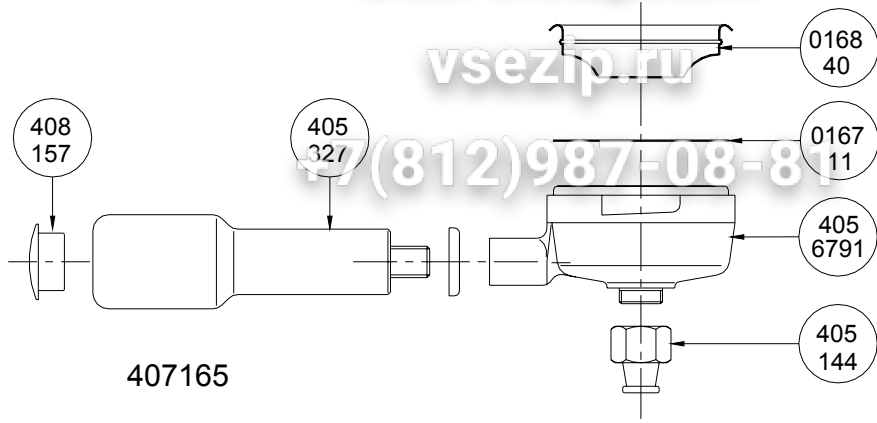
A partir de 09/2000 :

<u>409998</u>	<u>P.F. 1 TASSE NOIR COMPLET</u>
<u>409999</u>	<u>P.F. 2 TASSES NOIR COMPLET</u>

As from 09/2000:

<u>BLACK 1 CUP FILTER HOLDER ASSEM.</u>
<u>BLACK 2 CUP FILTER HOLDER ASSEM.</u>

016700	FILTRE 2 TASSES HT.24 16g	2 CUP FILTER HT.24 16g
016840	FILTRE 1 TASSE HT.20 8g	1 CUP FILTER HT.20 8g
016711	CLIPS POUR FILTRE	FILTER CLIPS
4056791	CORPS P.F. 3/8 1T/2T/3T	1 CUP/2 CUP/3CUP FILTER HOLDER
405145	BEC 1 VOIE 3/8 OUVERT	1 WAY NOZZLE OPEN
407168	BEC 2 VOIES 3/8 OUVERT	2 WAY NOZZLE OPEN
410001	POIGNEE P.F. NOIRE N.M.	BLACK FILTER HOLER HANDLE



4095903 ROBINET DE PUISAGE 97**TAP 3rd SERIE**

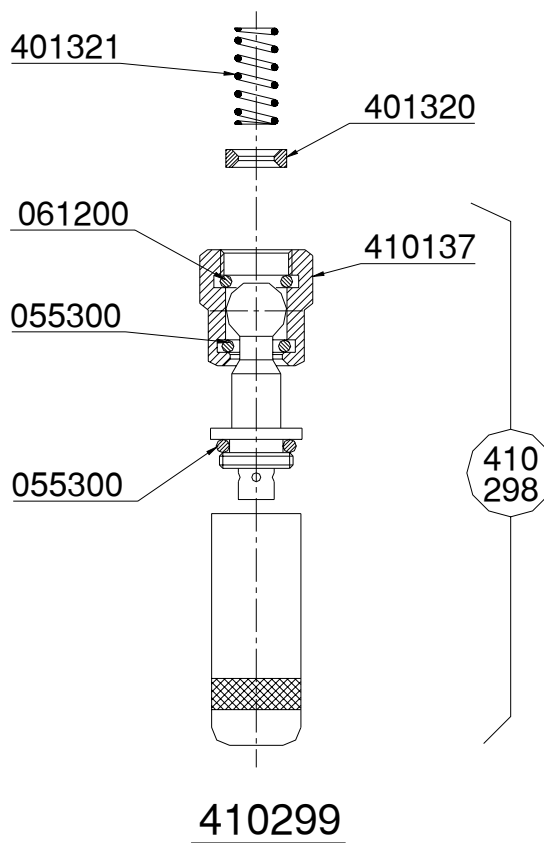
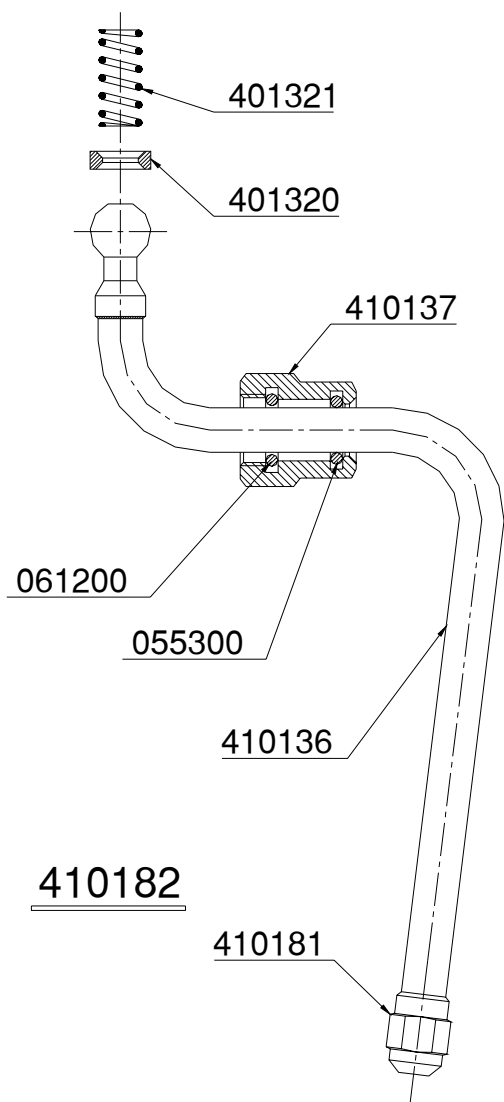
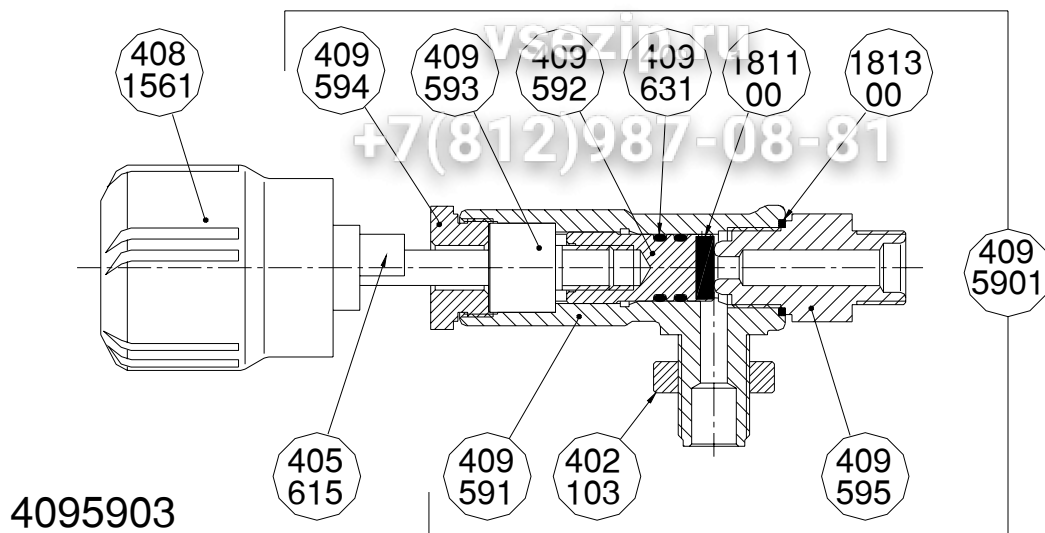
405615	CLIPS POIGNEE	HANDLE CLIP
4081561	POIGNEE ROBINET PUISAGE NOIRE	BLACK TAP HANDLE
4095901	ROBINET DE PUISAGE 97	TAP 3rd SERIE
181100	CLAPET 14X4	VALVE WASHER 14X4
181300	RONDELLE Cu 17X21X1.5	COPPER WASHER 17X21X1.5
402103	ECROU DE ROBINET	TAP NUT
409591	CORPS ROBINET PUISAGE 97	TAP BODY
409592	PORTE CLAPET ROBINET 97	TAP WASHER HOLDER
409593	TIGE COMMANDE ROBINET 97	TAP SHAFT
409594	BAGUE D'ARRET ROBINET 97	STOP RING
409595	SIEGE ROBINET 3/8	TAP SUPPORT
409631	JOINT TORIQUE 12X2 VITON	O'RING 12X2 VITON

410182 SORTIE VAPEUR**STEAM OUTLET**

055300	JOINT TORIQUE 12,1X2,7	O'RING 12,1X2,7
061200	JOINT TORIQUE 13,6X2,7	O'RING 13,6X2,7
401320	RONDELLE D'APPUI	SUPPORTING WASHER
401321	RESSORT DE ROTULE	PIVOT SPRING
410136	SORTIE VAPEUR SOUDEE (long)	STEAM OUTLET WELDED
410137	ECROU ROTULE TUBE DE 10	PIVOT NUT PIPE 10
410181	EMBOUT VAPEUR H12	STEAM NOZZLE H12

410299 SORTIE EAU CHAUDE**HOT WATER OUTLET**

401320	RONDELLE D'APPUI	SUPPORTING WASHER
401321	RESSORT DE ROTULE	PIVOT SPRING
410298	SORTIE EAU CHAUDE LONG CPLT	HOT WATER OUTLET L. CPLT
055300	JOINT TORIQUE 12,1X2,7	O'RING 12,1X2,7
061200	JOINT TORIQUE 13,6X2,7	O'RING 13,6X2,7
410137	ECROU ROTULE TUBE DE 10	PIVOT NUT PIPE 10



409790	BLOC ENTREE EAU AUTO 2/3G	WATER INLET CONTROL 2/3G
410363	BLOC ENTREE EAU AUTO 1G	WATER INLET CONTROL 1G
087520	JOINT TORIQUE 5,7X1,9	ORING 5,7X1,9
367910	EV 2V 230V-50/60Hz 1/4G	SOLENOID VALVE 230V-50/60Hz
403471	SIEGE CAR	N.R.V. SEATING
403472	GUIDE CAR	N.R.V. GUIDE
403473	BILLE INOX DE 8	BALL Ø8
403475	RONDELLE Cu 12X8X1	COPPER WASHER 12X8X1
405237	RACCORD CAR 3/8G	N.R.V. FITTING 3/8"
409125	ANTIRETOUR 1/4 - 3/8	ONE WAY VALVE 1/4 - 3/8
409235	COUDE 1/4M - 1/4F	ANGLE JOINT 1/4M - 1/4F
409273	VIS TH 4X10 INOX	SCREW 4X10
	(remplace la vis 401530)	(replace the screw 401530)
409830	TE 3X1/4M	T-PIECE 3X1/4M

Position du TE 409830 différente entre la 1G et la 2/3G
Part 409830 position modified between the 1G and the 2/3G

Pour les machines UL

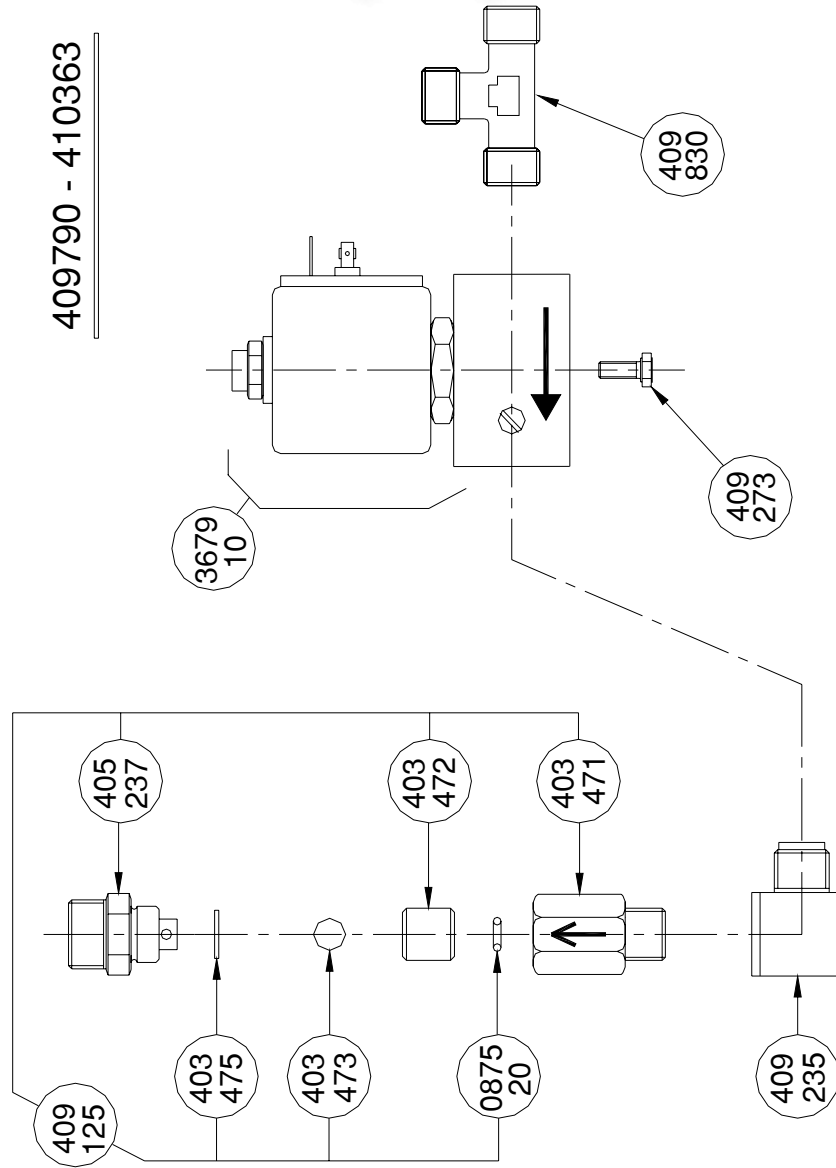
410017 **BLOC E.E.A. 220 UL**
367920 **EV 2V 230V UL**

410027 **BLOC E.E.A. 110 UL**
367930 **EV 2V 110V UL**

For the UL machines

220 UL WATER INLET CONTROL
UL 230V SOLENOID VALVE

110 UL WATER INLET CONTROL
UL 110V SOLENOID VALVE



408390 BLOC VIDANGE COMPLET DRAINING PIECE ASSEMBLY

059610	RONDELLE Z 6	WASHER Z6
091500	JOINT FIBRE 18X12X1	GASKET 18X12X1
405386	COUPELLE RECUPERATION	DRIP PAN
407775	ECROU BAS 1/2"	THIN NUT 1/2"
408160	COLLECTEUR VIDANGE	DRAIN
4081601	COLLECTEUR VIDANGE + COUPELLE	DRAIN + DRIP PAN
408981	BOUCHON COLLECTEUR VIDANGE	DRAIN STOPPER
409832	BOUCHON 1/2" PLASTIC + JOINT	STOPPER 1/2" + GASKET
888400	VIS CHC 6X10	SCREW 6X10

409774 LIMITEUR 12 BARS RELIEF DEVICE 12 BARS

029300	CLAPET LIMITEUR 10X4 VITON	RELIEF DEVICE VALVE SEAL 10X4
383400	RESSORT LIMITEUR	RELIEF DEVICE SPRING
407755	PORTE CLAPET	SEAL HOLDER
409772	SIEGE LIMITEUR	RELIEF DEVICE SEATING
409773	CORPS LIMITEUR	RELIEF DEVICE BODY
409775	ECROU BAS M15X150	THIN NUT M15X150
465564	VIS STCHC M3X4 POINTEAU	SCREW M3X4

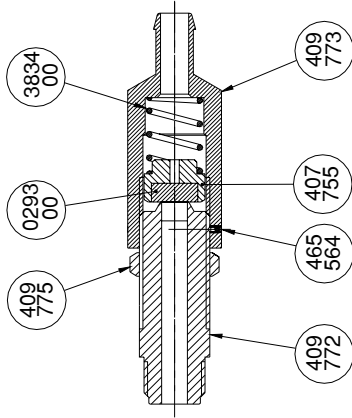
403470 CLAPET ANTI RETOUR (1G) NON RETURN VALVE (1G)

087520	JOINT TORIQUE 5,7X1,9	O'RING 5,7X1,9
403471	SIEGE CAR	N.R.V. SEATING
403472	GUIDE CAR	N.R.V. GUIDE
403473	BILLE INOX DE 8	BALL Ø8
403474	RESSORT CAR	N.R.V. SPRING
403475	RONDELLE Cu 12X8X1	COPPER WASHER 12X8X1
403476	RACCORD CAR	N.R.V. CONNECTOR
405686	TE 1/4M - 1/4F - 1/4F	T-PIECE 1/4M - 1/4F - 1/4F
409774	LIMITEUR 12 BARS	RELIEF DEVICE 12 BAR

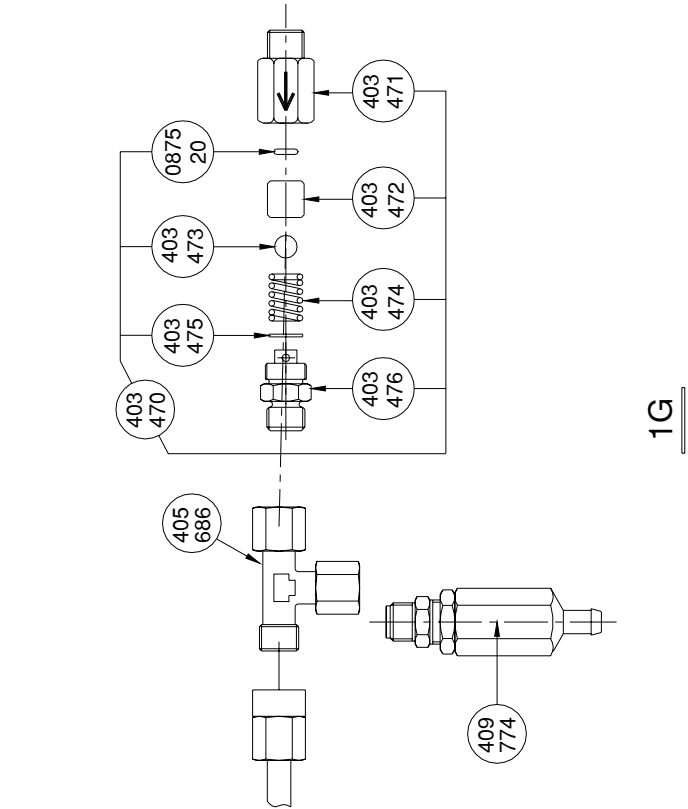
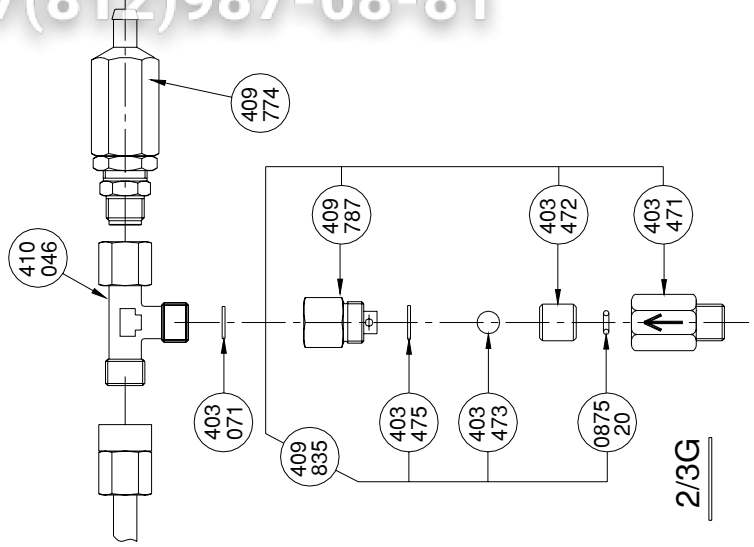
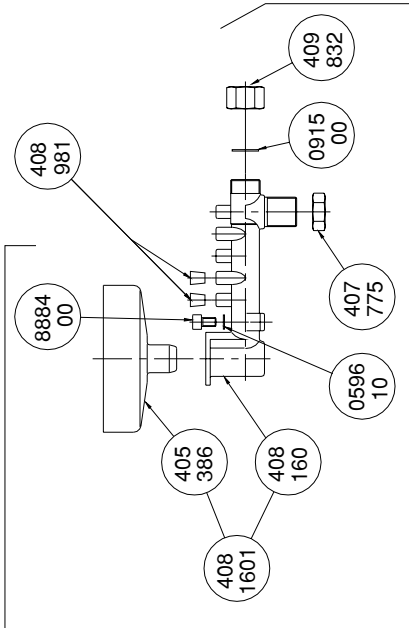
409835 CLAPET ANTI RETOUR (2/3G) NON RETURN VALVE (2/3G)

087520	JOINT TORIQUE 5,7X1,9	O'RING 5,7X1,9
403471	SIEGE CAR	N.R.V. SEATING
403472	GUIDE CAR	N.R.V. GUIDE
403473	BILLE INOX DE 8	BALL Ø8
403475	RONDELLE Cu 12X8X1	COPPER WASHER 12X8X1
409787	RACCORD CAR 1/4F	N.R.V. CONNECTOR 1/4F
403071	JOINT PTFE 11X6X1	GASKET 11X6X1 PTFE
409774	LIMITEUR 12 BARS	RELIEF DEVICE 12 BAR
410046	TE 1/4M - 1/4M - 1/4F	T-PIECE 1/4M - 1/4M - 1/4F

409774



408390



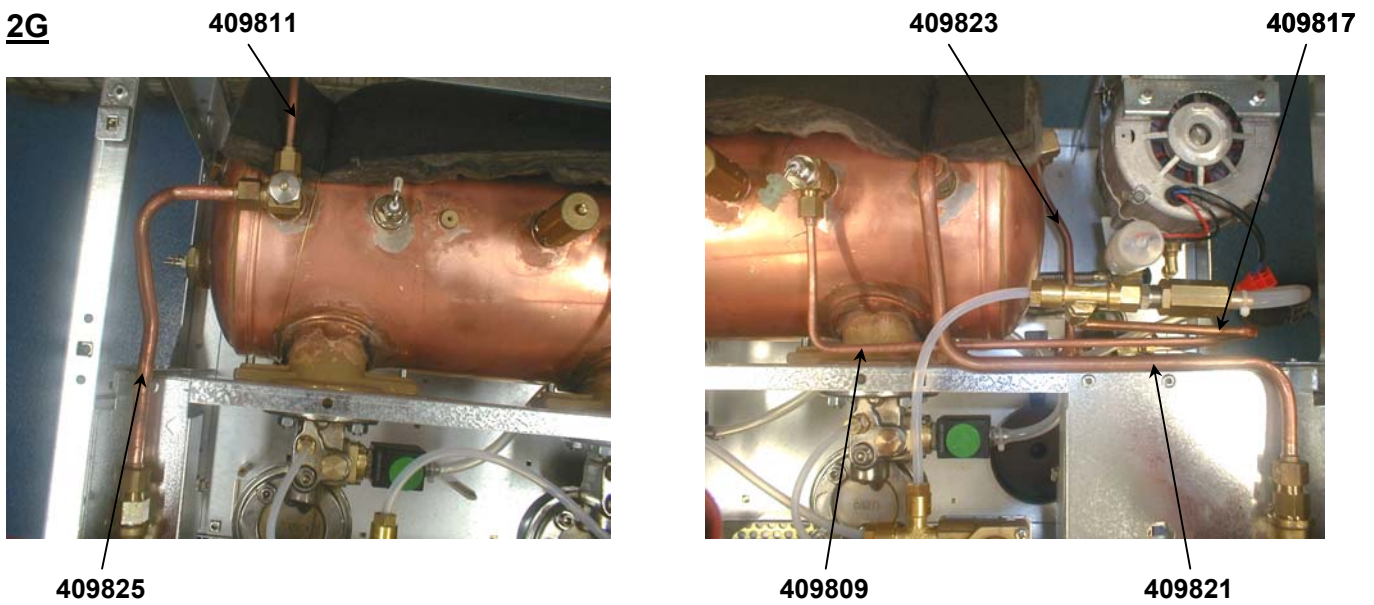
TUYAUTERIES**vse PIPEWORK**

403989	ECROU "SERTO" SO 20-6 1/8	NUT 'SERTO' SO 20-6 1/8
403990	ANNEAU "SERTO" SO 1-6	COLLAR 'SERTO' SO 1-6
404418	ECROU SO 20-8 1/4	NUT SO 20-8 1/4
404419	BAGUE DE 8 SO 1.8	RING 8 SO 1.8
404424	ECROU SO 20-6 1/4	NUT SO 20-6 1/4
404431	ECROU "SERTO" SO 20-5 1/8	NUT 'SERTO' SO 20-5 1/8
404432	BAGUE TUBE DE 5	RING 5
405621	TUBE SILICONE 6X9	SILICON PIPE 6X9
409961	DOUILLE APPUI SO.6-4	DEAL SOCKET SO. 6-4
411340	COLLIER DE SERRAGE 7-11	TIGHTENING RING 7-11
462077	DOUILLE APPUI SO.5-3	DEAL SOCKET SO.5-3
900305	TUBE PTFE 3X5	PTFE TUBING 3X5
900406	TUBE PTFE 4X6	PTFE TUBING 4X6
409809	TUBE MANOMETRE 2G	PRESSURE GAUGE PIPE 2G
409811	TUBE PRESSOSTAT ELECTRIQUE 2/3G	PRESSURE SWITCH PIPE 2/3G
409817	TUBE ALIMENTATION SECURITE 2/3G	SAFETY FEEDING UNIT PIPE 2/3G
409821	TUBE EAU CHAUDE 2G	HOT WATER PIPE 2G
409823	TUBE ALIMENTATION CHAUDIERE 1/2G	BOILER FEEDING PIPE 1/2G
409825	TUBE VAPEUR GAUCHE 1/2G	LEFT STEAM PIPE 1/2G
410314	TUBE MANOMETRE 1G	PRESSURE GAUGE PIPE 1G
410318	TUBE EAU CHAUDE 1G	HOT WATER PIPE 1G
410320	TUBE PRESSOSTAT ELECTRIQUE 1G	PRESSURE SWITCH PIPE 1G
410324	TUBE ALIMENTATION SECURITE 1G	SAFETY FEEDING UNIT PIPE 1G
411439	TUBE ALIMENTATION CHAUDIERE 3G	BOILER FEEDING PIPE 3G
411441	TUBE VAPEUR GAUCHE 3G	LEFT STEAM PIPE 3G
411443	TUBE VAPEUR DROIT / EAU CHAUDE 3G	RIGHT STEAM / HOT WATER PIPE 3G
411445	TUBE MANOMETRE 3G	PRESSURE GAUGE PIPE 3G

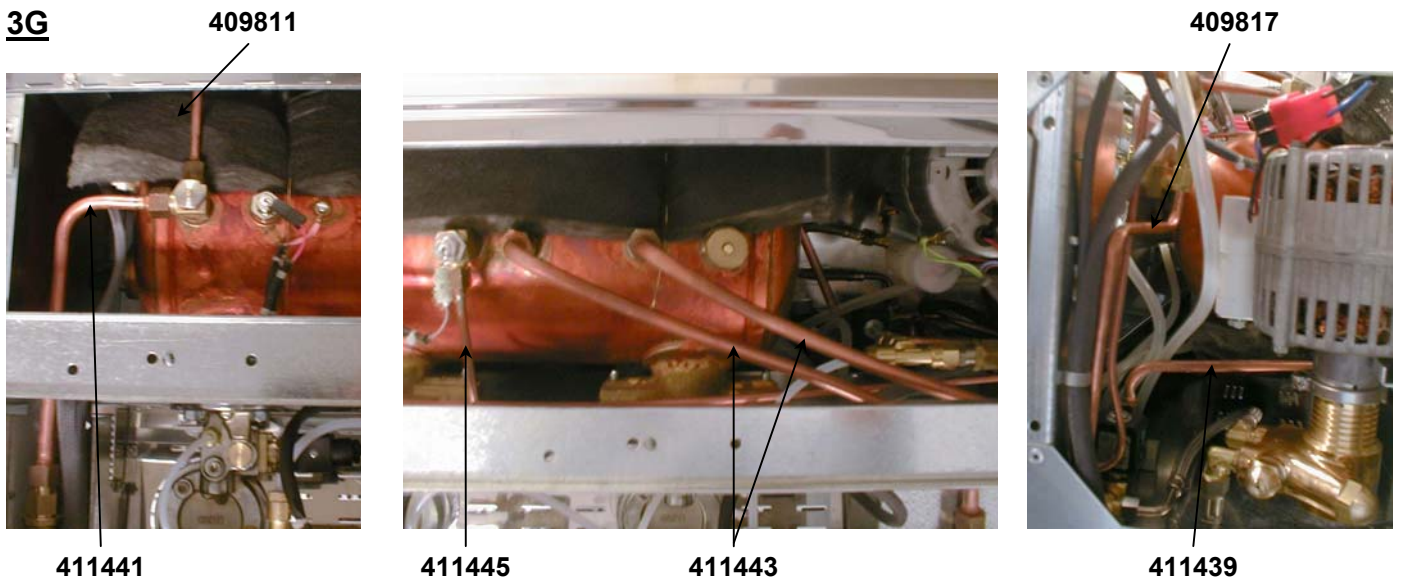
1G



2G



3G



4098361 MOTOPOMPE COMPLETE VERTICALE VERTICAL MOTOR PUMP ASSEMBLY
2/3G 2/3G

073300	VIS TH 6X16 AC ZN	SCREW EX 6
120900	RONDELLE EV AZ 5 ZN	LOCKWASHER AZ 5
292600	ECROU HU 5 AC Z	NUT HU 5
361700	ANNEAU DE FIXATION	FIXING CLIP
403071	JOINT PTFE 11X6X1	GASKET 11X6X1 PTFE
403492	ECROU RAPID A PINCES	CLAMP NUT
405721	MOTEUR SEUL 220V/50HZ	MOTOR 220V/50HZ ALONE
4057222	POMPE B.P. & FILTRE 110L	PUMP B.P. & FILTER 110L
405727	MAMELON 3/8NPT-1/4 GAZ	STUD 3/8 NPT - 1/4
406314	FLEX. 90° 1/4 L = 280	PIPE FLEXIBLE 90° 1/4 L=280
406768	SUPPORT MOTO-POMPE	PUMP MOTOR SUPPORT
4067681	RONDELLE SUPPORT POMPE	SUPPORT PUMP WASHER
409164	PLOT ELASTIQUE M5	RUBBER SPACER M5
409833	COUDE 3/8NPTC - 3/8	ANGLE JOINT 3/8NPTC - 3/8
4087211	ACCOUPL. MOT. TYPE 90P avant 07/99	COUPLING MOTOR PART after 07/99
4087212	ACCOUPL. MOT. TYPE 90P après 07/99	COUPLING MOTOR PART before 07/99

Pour les machines UL

410031 MOTOPOMPE COMPLETE VERTICALE
UL 110V 1G

410078 MOTOPOMPE COMPLETE VERTICALE
UL 220V 2G

406910	MOTEUR SEUL 110V UL
406911	MOTEUR SEUL 220V UL

For the UL machines

VERTICAL MOTOR PUMP ASSEMBLY
1G UL 110V

VERTICAL MOTOR PUMP ASSEMBLY
2G UL 220V

UL MOTOR 110V ALONE
UL MOTOR 220V ALONE

A partir du 01/10/00

sur 1G Standard et UL uniquement :

410361 MOTOPOMPE COMPLETE HORIZONT.
ASSEMBLY

220V 1G
410366 MOTOPOMPE COMPLETE HORIZONT.
ASSEMBLY

110V 1G

Since 01/10/2000

only on std & UL 1G :

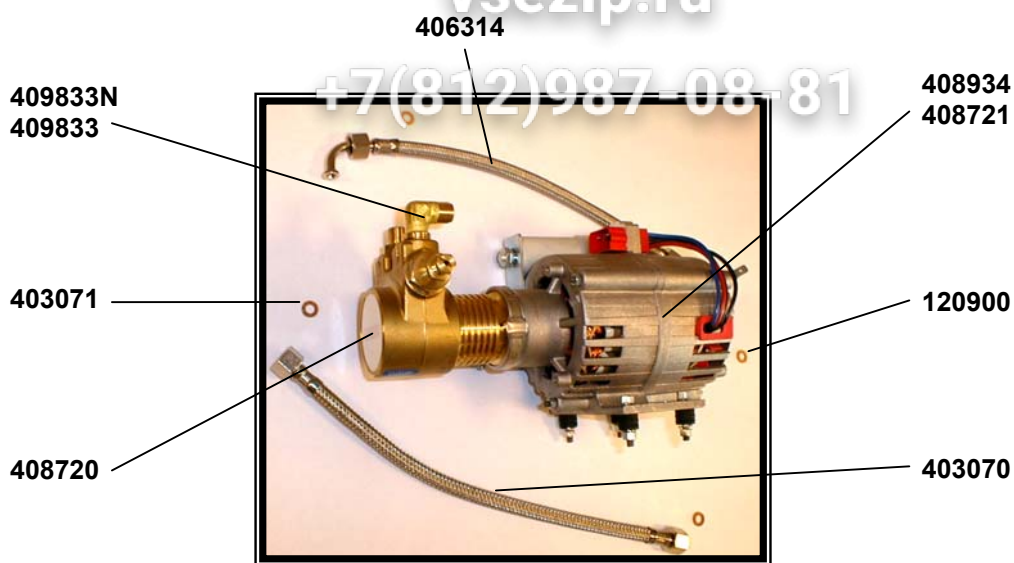
HORIZONTAL MOTOR PUMP

1G 220V

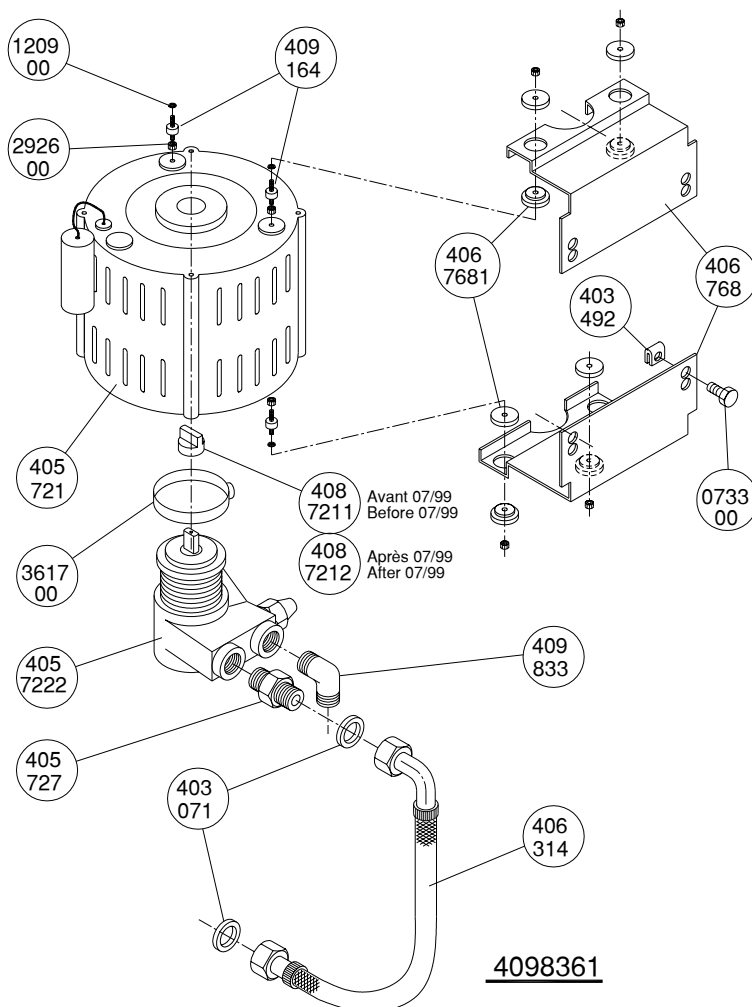
HORIZONTAL MOTOR PUMP

1G 110V

120900	RONDELLE EV AZ 5 ZN	LOCKWASHER AZ 5
292600	ECROU Hu 5 AC Z	NUT Hu 5
403070	FLEX. 1/4 L. = 300	PIPE FLEXIBLE 1/4 L. = 300
403071	JOINT PTFE 11X6X1	GASKET 11X6X1 PTFE
405727	MAMELON 3/8 NPT- 1/4GAZ (220V)	STUD 3/8 NPT - 1/4 (220V)
405727N	MAMELON 3/8 NPT- 1/4GAZ (110V)	STUD 3/8 NPT - 1/4 (110V)
406314	FLEX. 90° 1/4 L. = 280	FLEXIBLE 90° 1/4 L=280 PIPE
408720	POMPE B.P.C. - C. Bar & FILTRE 110L	PUMP B.P.C. - C.Bar & FILTER 110L
408721	MOTEUR SEUL 230V - 50/60 Hz	MOTOR 230V - 50/60Hz ALONE
408934	MOTEUR SEUL 110V - 60Hz	MOTOR 110V - 60Hz ALONE
409164	PLOT ELASTIQUE M5	RUBBER SPACER M5
409833	COUDE 3/8NPTC - 3/8 (220V)	ANGLE JOINT 3/8NPTC - 3/8 (220V)
409833N	COUDE 3/8NPTC - 3/8 (110V)	ANGLE JOINT 3/8NPTC - 3/8 (110V)



2/3G



Avant 2002**409452 THERMOSTAT DE SECURITE**

409478 SUPPORT THERMOSTAT SECURITE

Après 2002**410634 KLIXON SECURITE TEMP.**Before 2002**SAFETY THERMOSTAT**

SAFETY THERMOSTAT SUPPORT

After 2002**SAFETY TEMPERATURE KLIXON****409232 PRESSOSTAT CABLE**

402610 PRESSOSTAT

WIRE PRESSURE SWITCH

PRESSURE SWITCH

410813 POUSSOIR GRIS COMPLET

405345 CLIPS BOUTON POUSSOIR

405348 AMORTISSEUR POUSSOIR

410103 POUSSOIR 5 BOUTON

410782 BOUTON POUSSOIR GRIS

CONTROL BOARD GREY COMPLET

PUSH BUTTON CLIPS

PUSH DAMPER

5 BUTTON CONTROL BOARD

GREY PUSH BUTTON

406206 BOUTON POUSSOIR ROUGE

RED PUSH BUTTON

409839 CABLE POUSSOIR L.110

L.110 CONTROL BOARD CABLE

409840 CABLE POUSSOIR L.140

L.140 CONTROL BOARD CABLE

FAISCEAUX

409891 FAISCEAU. B.T. CONTICLUB 1G
 409892 FAISCEAU. B.T. CONTICLUB 2G
 409894 FAISCEAU PUISSANCE CONTICLUB 2G
 410360 FAISCEAU PUISSANCE CONTICLUB 1G
 411010 FAISCEAU. B.T. CONTICLUB 3G
 411457 FAISCEAU PUISSANCE CONTICLUB 3G

WIRES

CONTICLUB LOW VOLTAGE BEAM 1G
 CONTICLUB LOW VOLTAGE BEAM 2G
 CONTICLUB BEAM WATTAGE 2G
 CONTICLUB BEAM WATTAGE 1G
 CONTICLUB LOW VOLTAGE BEAM 3G
 CONTICLUB BEAM WATTAGE 3G

409837 CENTRALE CONTICLUB 220V

220V ELECTRONIC BOX CONTICLUB

4098371 CENTRALE CONTICLUB 110V

100V ELECTRONIC BOX CONTICLUB

408932 CONTACTEUR 220V 50-60Hz

WIRED PRESSURE SWITCH 220V 50-60Hz

408933 CONTACTEUR 110V 50-60Hz

WIRED PRESSURE SWITCH 110V 50-60Hz

Pour les machines ULFor the UL machines**406913 THERMOSTAT UL****UL SAFETY THERMOSTAT****409231 PRESSOSTAT CABLE UL****UL WIRE PRESSURE SWITCH**

402620 PRESSOSTAT UL

UL PRESSURE SWITCH

FAISCEAUX - CABLES UL - 1GUL WIRES 1G

410074 FAISCEAU. B.T. CONTICLUB UL 1G

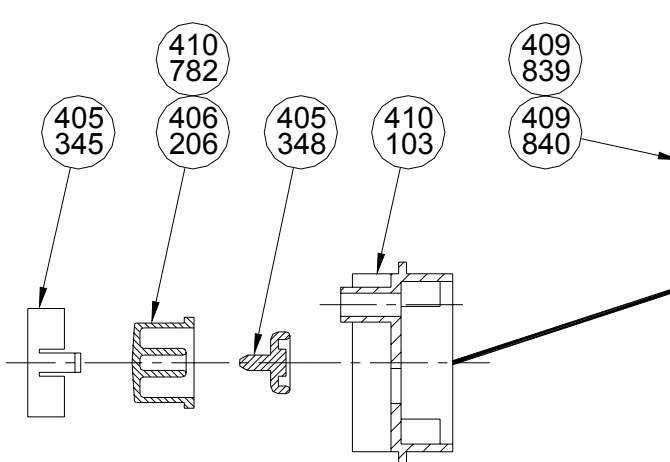
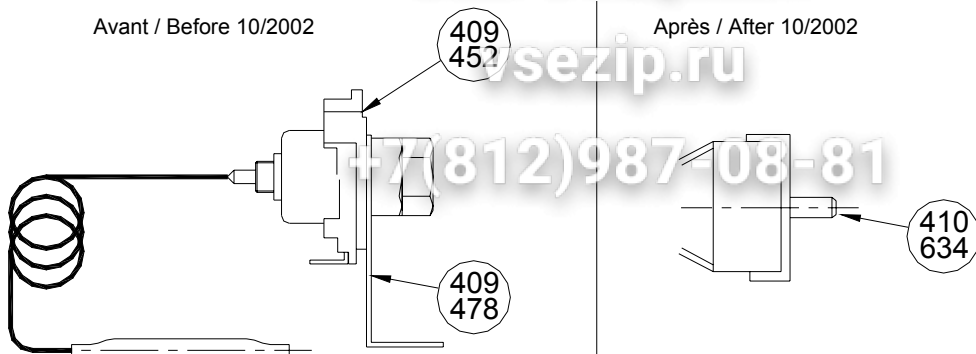
UL CONTICLUB LOW VOLTAGE BEAM 1G

410076 FAISCEAU. PUISSANCE CONTICLUB 1G

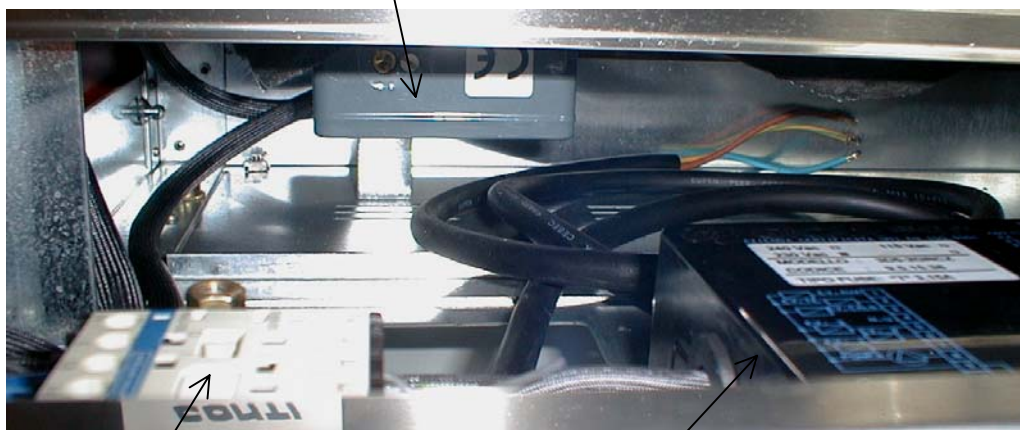
UL CONTICLUB BEAM WATTAGE 1G

Avant / Before 10/2002

Après / After 10/2002



409232 - 402610 (std)
409231 - 402620 (UL)



408932
408933

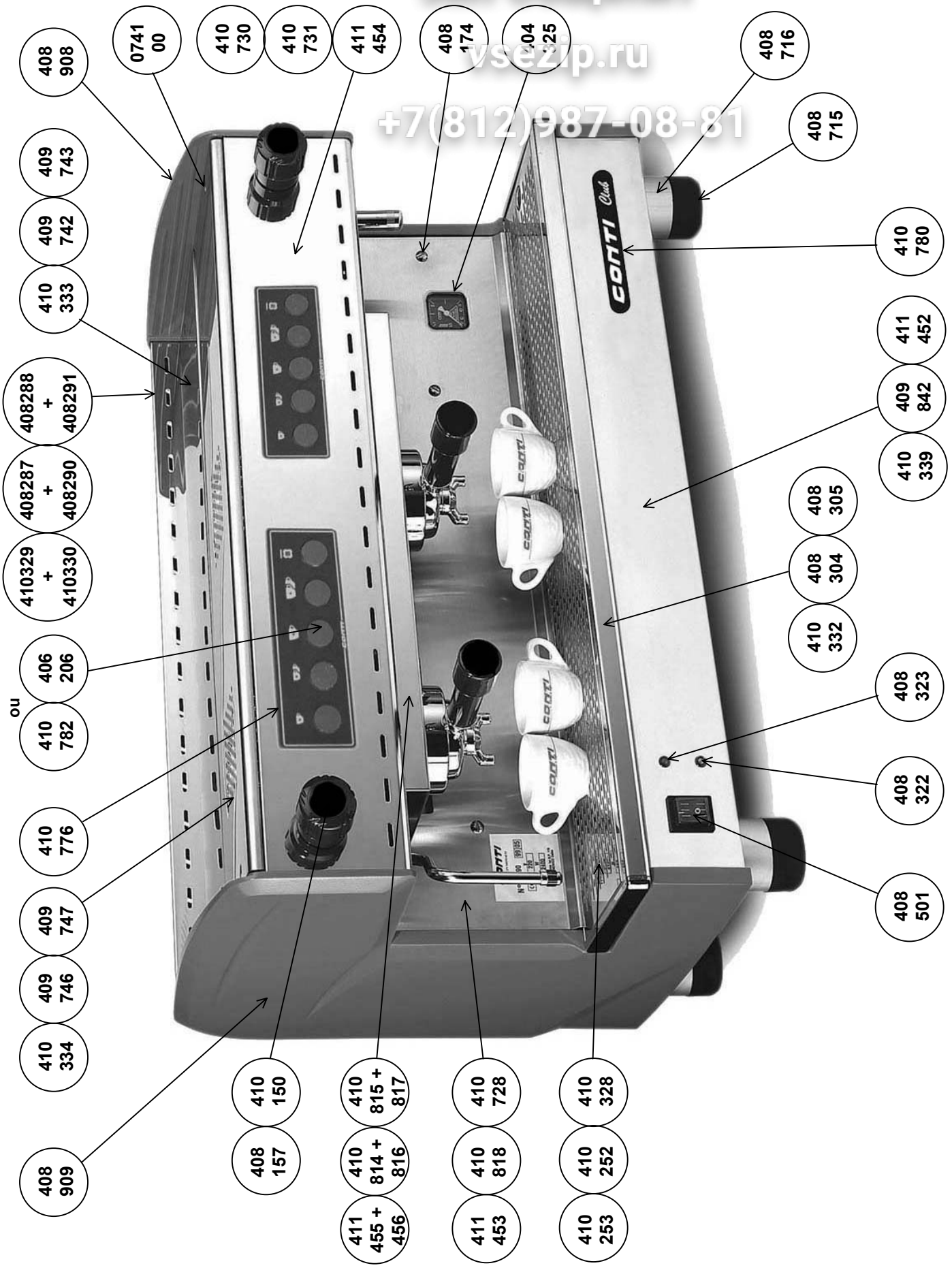
409837
4098371

CARROSSERIE**MAIN FRAME**

074100	VIS TCL 4X8 INOX	SCREW 4X8
404325	MANOMETRE Ø63 3BARS	PRESSURE GAUGE Ø63 3BARS
406206	BOUTON POUSSOIR ROUGE	RED PUSH BUTTON
408157	BOUCHON ROUGE	RED END CAP
408174	VIS RL M5X12 INOX	SCREW M5X12
408287	FACADE AVANT SUP 2G	FRONT FACADE (UPPER) 2G
408288	FACADE AVANT SUP 3G	FRONT FACADE (UPPER) 3G
408290	FACADE AVANT INF 2G	FRONT FACADE (LOWER) 2G
408291	FACADE AVANT INF 3G	FRONT FACADE (LOWER) 3G
408304	BASSIN XEOS 2G	XEOS BASIN 2G
408305	BASSIN XEOS 3G	XEOS BASIN 3G
408322	VOYANT VERT	GREEN LIGHT
408323	VOYANT ROUGE	RED LIGHT
408501	INTERRUPTEUR BIPOLAIRE IP64	IP64 BIPOLAR CUTOUT
408715	PIED CAOUTCHOUC Ø60 H30 FILT.53	Ø60 H30 TH.53 RUBBER FOOT
408716	PIED ALUMINIUM Ø60 H37	Ø60 H34 ALUMINIUM FOOT
408908	JOUE DROITE	RIGHT SIDE PANEL
408909	JOUE GAUCHE	LEFT SIDE PANEL
409742	CHAUFFE-TASSES 2G AVANT	CUP-WARMER (FRONT SECTION) 2G
409743	CHAUFFE-TASSES 3G AVANT	CUP-WARMER (FRONT SECTION) 3G
409746	CHAUFFE-TASSES 2G ARRIERE	CUP-WARMER (REAR SECTION) 2G
409747	CHAUFFE-TASSES 3G ARRIERE	CUP-WARMER (REAR SECTION) 3G
409842	BASE ARRIERE 2G	REAR BASE PLATE 2G
410150	BOUCHON NOIR	BLACK END CAP
410252	EGOUTTOIR 2G	DRIP TRAY 2G
410253	EGOUTTOIR 3G	DRIP TRAY 3G
410328	EGOUTTOIR 1G	DRIP TRAY 1G
410329	FACADE AVANT SUP 1G	FRONT FACADE (upper) 1G
410330	FACADE AVANT INF 1G	FRONT FACADE (lower) 1G
410332	BASSIN 1G	BASIN 1G
410333	CHAUFFE-TASSES AVANT 1G	CUP-WARMER (FRONT SECTION) 1G
410334	CHAUFFE-TASSES ARRIERE 1G	CUP-WARMER (REAR SECTION) 1G
410339	BASE ARRIERE 1G	REAR BASE PLATE 1G
410728	FACADE ARRIERE 2G	REAR FAÇADE 2G
410730	TABLEAU DE COMMANDE 1G	PANEL 1G
410731	TABLEAU DE COMMANDE 2G	PANEL 2G
410776	PLAQUE DOSAGE 2 TASSES	2 CUP PLATE MEASUREMENT
410780	SIGNATURE CONTICLUB	CONTICLUB LOGO
410782	BOUTON POUSSOIR GRIS	GREY PUSH BUTTON
410814	CARENAGE GROUPE FIXE 1G	STREAMLINING FIXED GROUP 1G
410815	CARENAGE GROUPE FIXE 2G	STREAMLINING FIXED GROUP 2G
410816	CARENAGE GROUPE MAMUEL 1G	STREAMLINING REMOVABLE GROUP 1G
410817	CARENAGE GROUPE MAMUEL 2G	STREAMLINING REMOVABLE GROUP 2G
410818	FACADE ARRIERE 1G	REAR FAÇADE 1G
411452	BASE ARRIERE 3G	REAR BASE PLATE 3G
411453	FACADE ARRIERE 3G	REAR FAÇADE 3G
411454	TABLEAU DE COMMANDE 3G	PANEL 3G
411455	CARENAGE GROUPE FIXE 3G	STREAMLINING FIXED GROUP 3G
411456	CARENAGE GROUPE MAMUEL 3G	STREAMLINING REMOVABLE GROUP 3G

Variante des joues : voir page suivante

Alternate panels : see next page



Edition 10/2004 - CONTICLUB EV
 PIECES DETACHEES - SPARE PARTS - Page 24

JOUES COULEUR**COLOURED SIDE PANELS**

408908 JOUE DROITE
408909 JOUE GAUCHE

+7(812)997-0881
RIGHT SIDE PANEL
LEFT SIDE PANEL

Variante des joues / Alternate panels :

GRI	GRISE (GREY)
JAU	JAUNE (YELLOW)
LIL	LILAS (LILAC)
PRP	POURPRE (PURPLE)
RGE	ROUGE (RED)
TUR	TURQUOISE
VRT	VERT (GREEN)

408439	GOUJON ATTACHE M4(FEM.)	STUD M4
462876	VIS TC 3X6 INOX A2	SCREW 3X6
465296	GOUJON ATTACHE M5X8	STUD M5X8

465296



462876
+ 408439



ACCESSOIRES**ACCESSORIES**

016795	FILTRE DE NETTOYAGE	CLEANING FILTER
016797	PINCEAU DE NETTOYAGE	FILTER HOLDER CLEANING BRUSH
408821	TESTEUR DE DURETE	WATER HARDNESS TESTER

411500	FILTRE ALIM. GENERAL 50µ	INLET FILTER 50µ
--------	--------------------------	------------------

**408835 POCLETTE JOINTS 1G ID****1G DI GASKET SET**

002710	JOINT DE PORTE-FILTRE EP.8,3
018900	JOINT DE MANCHETTE
377600	JOINT CUIVRE 6X10X2
403081	JOINT PTFE 17,3X12,1X2,3
403457	JOINT TORIQUE 4,2X1,9
403984	JOINT CUIVRE 17X21X1
407500	JOINT PTFE 9,2X6X1,4
407709	JOINT PTFE 75,8X68,4X3,2
409631	JOINT TORIQUE 12X2

FILTER HOLDER SEAL
HEADLINE GASKET
COPPER GASKET 6X10X2
PTFE GASKET 17,3X12,1X2,3
O'RING 4,2X1,9
COPPER GASKET 17X21X1
PTFE GASKET 9,2X6X1,4
PTFE GASKET 75,8X68,4X3,2
O'RING 12X2

411014 KIT CHIPCARD 1G CCLUB**CHIPCARD KIT 1G CCLUB****411015 KIT CHIPCARD 2G CCLUB****CHIPCARD KIT 2G CCLUB**

PIECES DETACHEES POUR L'ENTRETIEN

SPARE PARTS FOR MAINTENANCE

410569 KIT A (USURE) XEOS - CONTICLUB

002710 JOINT DE PORTE-FILTRE ép.8,3
 055300 JOINT TORIQUE 12,1X2,7
 061200 JOINT TORIQUE 13,6X2,7
 355900 DOUCHETTE A GRILLE
 401320 RONDELLE D'APPUI
 403456 GICLEUR
 403457 JOINT TORIQUE 4,2X1,9
 407501 JOINT LEVRE 5,4X14,5X9,8
 407502 CLAPET 13X5X4
 991300 JOINT TORIQUE 18,4X2,7

KIT A (WEAR)

FILTER HOLDER SEAL
 O'RING 12,1X2,7
 O'RING 13,6X2,7
 SPRINKLER
 SUPPORTING WASHER
 SPRAY NOZZLE
 O'RING 4,2X1,9
 LIP SEAL 5,4X14,5X9,8
 WASHER 13X5X4
 O'RING 18,4X2,7

410570 KIT B (URGENT) XEOS - CONTICLUB

181100 CLAPET 14X4
 181300 JOINT CUIVRE 18X21X1,5
 367910 EV 2VOIES 230V-50/60HZ 1/4G
 403071 JOINT PTFE 11X6X1
 403458 FILTRE 8X13
 403466 COMPTEUR VOLUMETRIQUE
 405620 EV PILOTE 2VOIES 230V 50/60HZ
 405650 JOINT TORIQUE 5X1,5 VITON
 407239 EV 3 VOIES 230/240V 50/60HZ RUB.15B.
 407500 JOINT PTFE 9,2X6X1,7
 407708 JOINT PTFE 56,8X49,4X3,2
 407709 JOINT PTFE 75,8X68,4X3,2
 408714 JOINT PTFE 39,6X34,4X2,4
 409631 JOINT TORIQUE 12X2
 410103 POUSSOIR 5 BOUT.CONTICLUB (GM)
 410304 POUSSOIR EAU CHAUDE COMPLET
 4057222 POMPE B.P.& FILTRE 100L

KIT B (EMERGENCY)

WASHER 14X4
 COPPER GASKET 18X21X1,5
 SOLENOID VALVE 230V-50/60HZ 2WAYS
 GASKET 11X6X1 PTFE
 FILTER 8X13
 FLOW METER
 SOLENOID VALVE 230V-50/60HZ 2WAYS
 VITON O'RING 5X1,5
 SOLENOID VALVE 230/240V-50/60HZ 3WAYS
 PTFE GASKET 9,2X6X1,7
 PTFE GASKET 56,8X49,4X3,2
 PTFE GASKET 75,8X68,4X3,2
 PTFE GASKET 39,6X34,4X2,4
 O'RING 12X2
 PUSH 5 BUTTONS CONTICLUB
 HOT WATER PUSH BUTTONS COMPLETE
 PUMP B.P.& FILTER 100L

410571 KIT C (STOCK) XEOS - CONTICLUB

165900 THERMOPL. 4000W 230-380V L425
 402610 PRESSOSTAT ELECTRIQUE
 404326 SOUPEE PLOMBEE TUV
 405892 CONTACT. 220V G.M.
 406919 THERMOPL. 1450W 230V L165
 408700 THERMOPL. 2500W 230V L360
 409492 RELAIS SECURITE
 409774 LIMITEUR 12 BARS
 409837 CENTRALE CONTICLUB 220V

KIT C (STOCK)

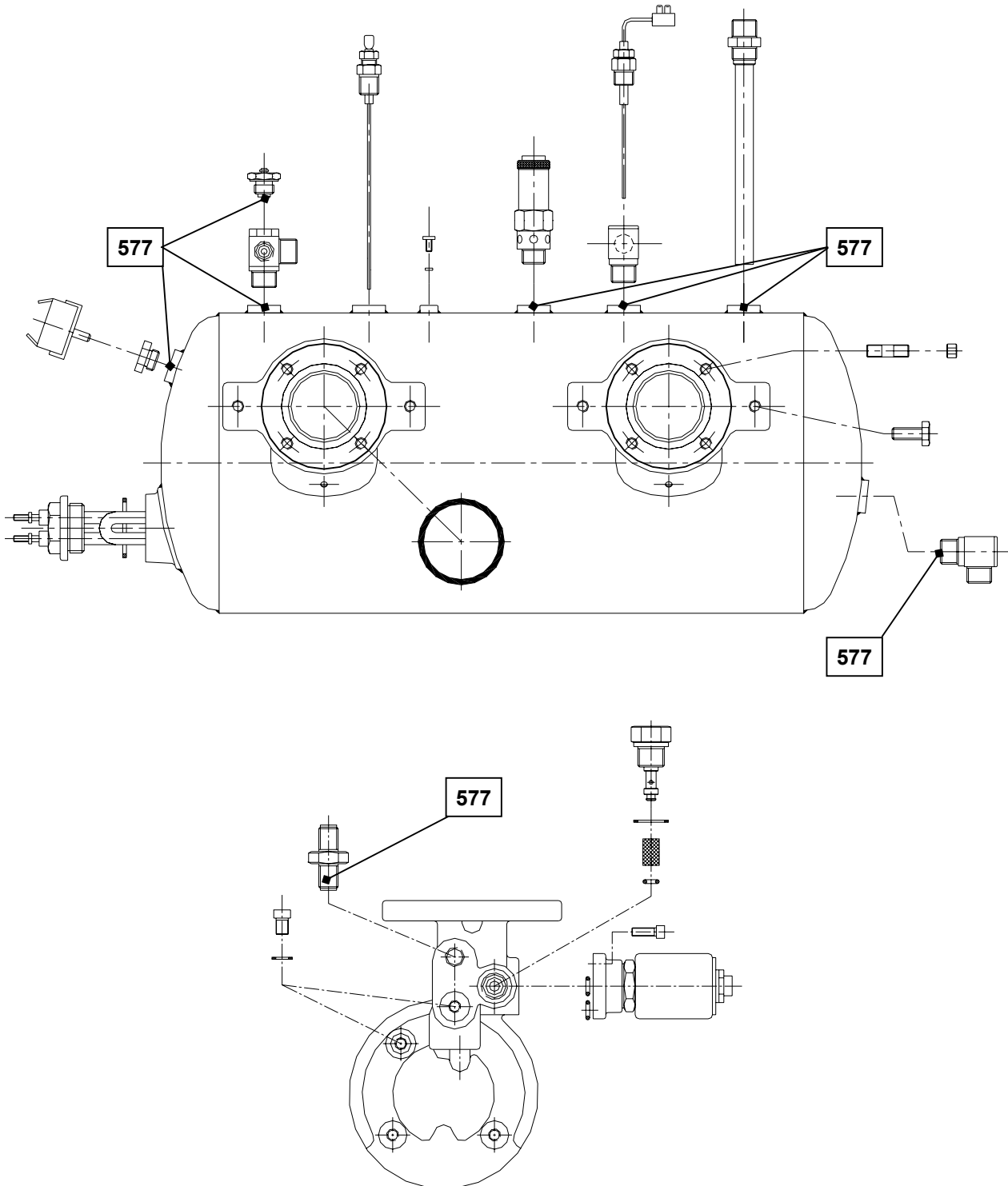
HEATING ELEMENT 4000W 230-380V L425
 PRESSURE SWITCH ELECTRIC
 VALVE TUV 23 PSI CLOSED
 CONTACT 220V G.M.
 HEATING ELEMENT 1450W 230V L165
 HEATING ELEMENT 2500W 230V L360
 SAFETY RELAIS
 RELIEF DEVICE 12 BAR
 EXCHANGE CONTICLUB 220V

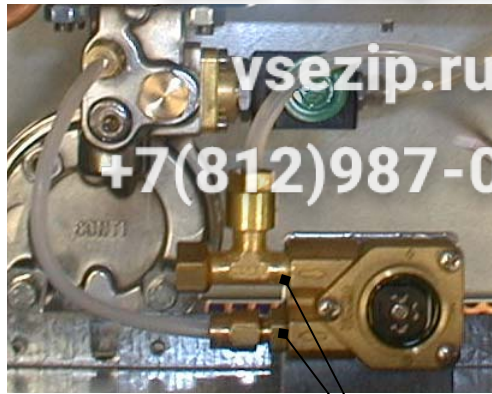
410854 KIT C (STOCK) CONTICLUB 110V

406920 THERMOPL. 1250W 110V UL L.165
 408933 CONTACT. 110V 50-60HZ.
 4098371 CENTRALE CONTICLUB 110V

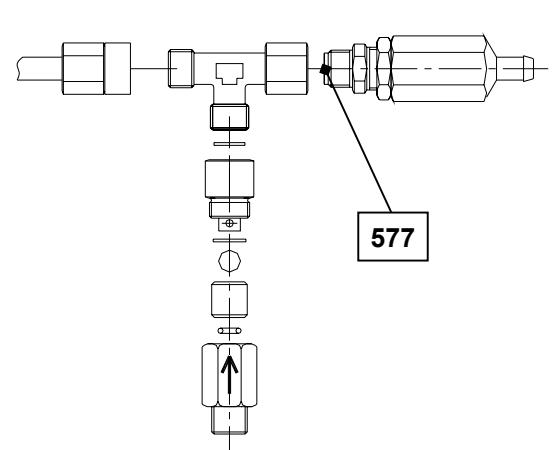
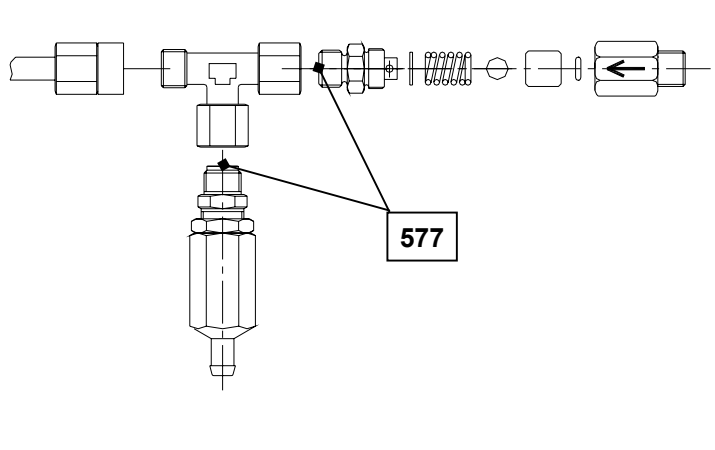
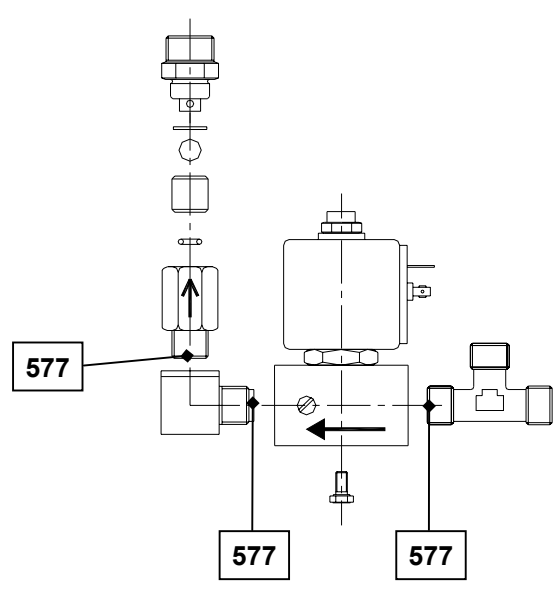
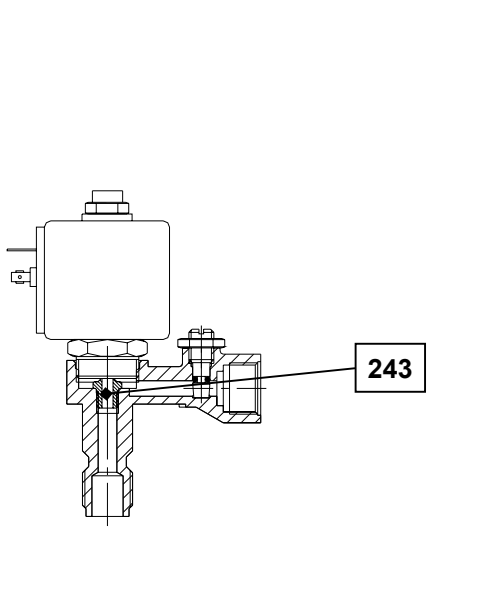
KIT C (STOCK) CONTICLUB 110V

HEATING ELEMENT 1250W 110V UL L.165
 CONTACT110V 50-60HZ.
 EXCHANGE CONTICLUB 110V

FIXATION DES ELEMENTS**COMPONENT STICKING**577 307750
243 308000COLLE TUBETANCHE 577
COLLE FREIN FILET 243GLUE 577 WATERTIGHT TUBE
GLUE 243 THREADING



577



Зип Общепит

vsezip.ru

+7(812)987-08-81

