

# MOD: XVC515G

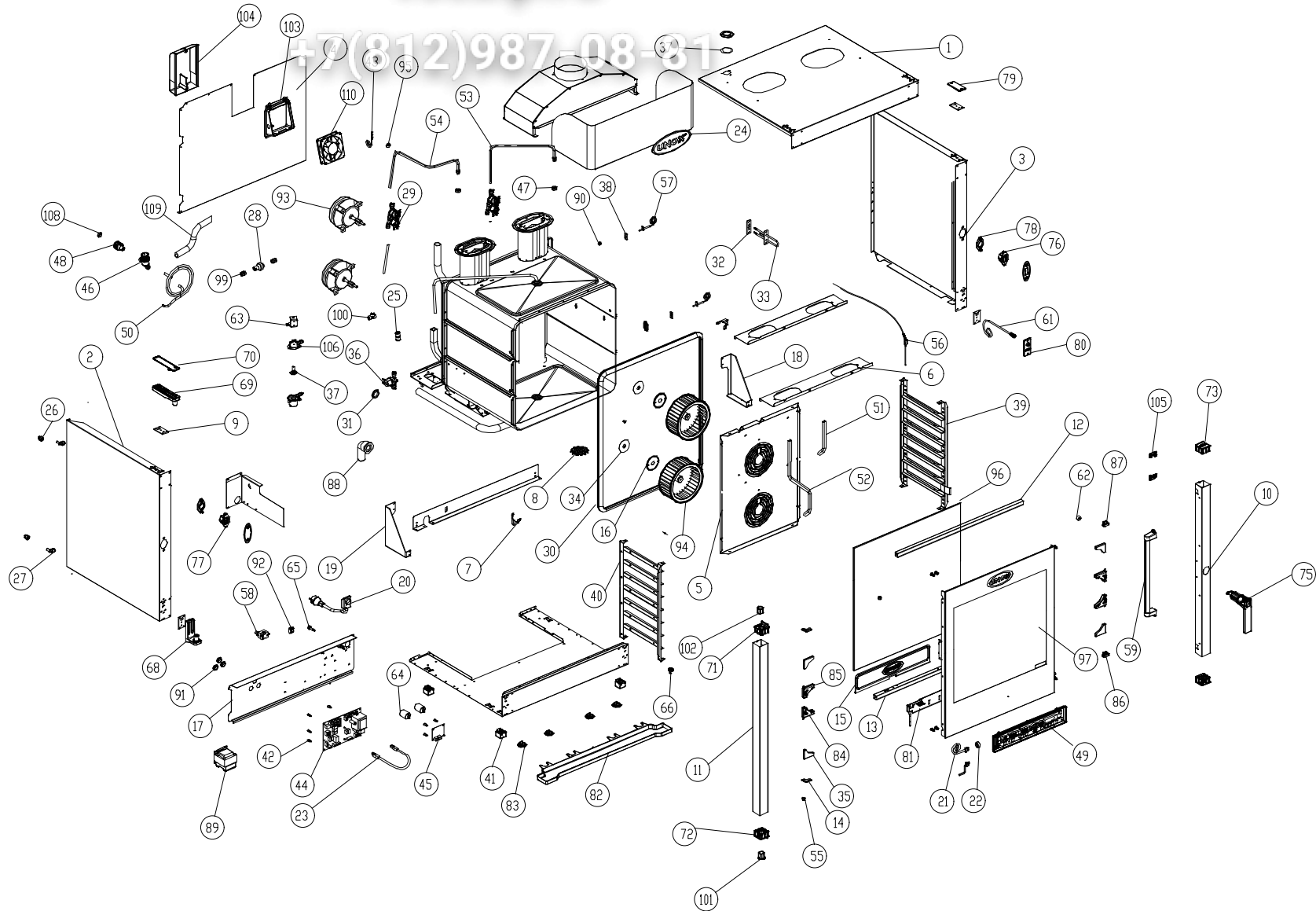
Вип Общепит

## EXPLODED VIEW DISEGNO ESPLOSO



vsezip.ru

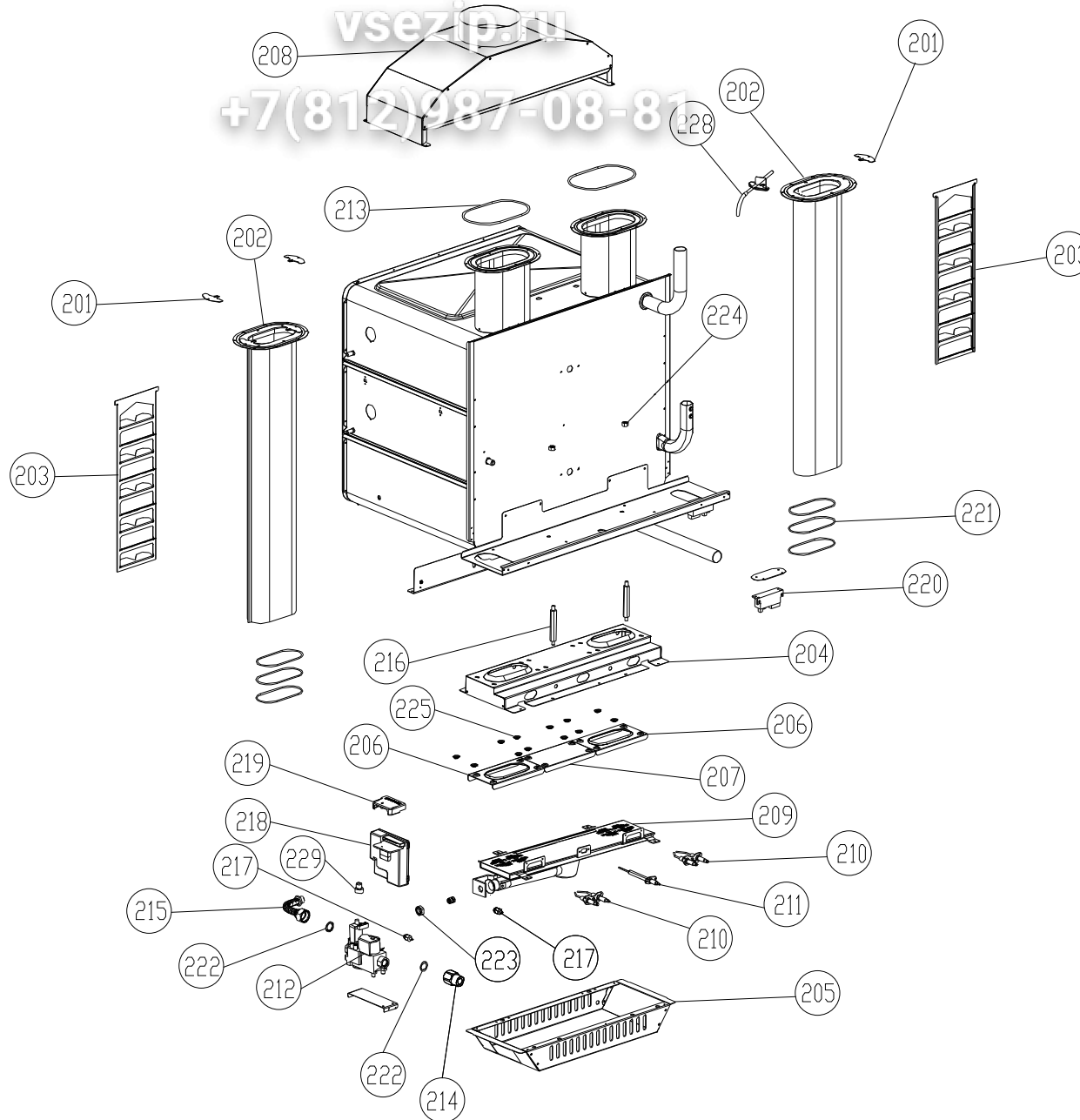
+7(812)987-08-81



# MOD: XVC515G

Вип Общепит

## EXPLODED VIEW DISEGNO ESPLOSO



### LEGEND LEGENDA

|     |          |
|-----|----------|
| 201 | ON1135A1 |
| 202 | ON1160A0 |
| 203 | ON1165A0 |
| 204 | ON1310A0 |
| 205 | ON1185A1 |
| 206 | ON1190A0 |
| 207 | ON1195A0 |
| 208 | ON1205A1 |
| 209 | BR1305A0 |
| 210 | BR1310A0 |
| 211 | BR1230A0 |
| 212 | EL1400A0 |
| 213 | LV1525A0 |
| 214 | RC1045A1 |
| 215 | RC1325A1 |
| 216 | TF1040A0 |
| 217 | TF1045A0 |
| 218 | VE1055A1 |
| 219 | VE1060A0 |
| 220 | VE1065A0 |
| 221 | GR1070A0 |
| 222 | VII130A0 |
| 223 | VII140A0 |
| 224 | VII255A0 |
| 225 | VII560A0 |
| 228 | TR1110A0 |
| 229 | VG1003A0 |

# MOD: XVC515G

Вип Общепит

# EXPLODED VIEW DISEGNO ESPLOSO



## DESCRIZIONE CODICI

|    |           |  |
|----|-----------|--|
| 1  | OD1775A1  | COPERCHIO INOX XVC314/514/714G           |
| 2  | OD1900A0  | FIANCO SX INOX XVC505                    |
| 3  | OD1901A0  | FIANCO DX INOX XVC505                    |
| 4  | OF1385A0  | SCHEMA INOX XVC515G                      |
| 5  | OG1420A0  | CARTER ARIA INOX XVC515G                 |
| 6  | OG1325A1  | DIVISORIO CARTER ARIA INOX XVC314/514/7  |
| 7  | OH1450A0  | ANGOLO FACCIATA MUFFOLA INOX XB-XV-XG    |
| 8  | OH2551A0  | TAPPO PER TUBO DI SCARICO LIQUIDI INOX C |
| 9  | OH2560A0  | CONTROSTAFFA ZINCATA PORTA C.T.          |
| 10 | TB1190A0  | COLONNINA DX INOX PORTA XVC505 XBC605    |
| 11 | TB1191A0  | COLONNINA SX INOX PORTA XVC505 XBC605    |
| 12 | TB1220A0  | LISTELLO SUP INOX PORTA XVC305/505/705   |
| 13 | TB1221A0  | LISTELLO INF INOX PORTA XVC305/505/705   |
| 14 | OH2650A0  | CERNIERA INOX VETRO INTERNO XBC/XVC      |
| 15 | OH4310A0  | PROFILO INOX PARACALORE CRUSCOTTO STP    |
| 16 | OH4305A1  | DISCO TENUTA ALBERO MOTORE INOX STP      |
| 17 | OP1000A0  | PORTACOMPONENTI INOX XVC315/515/715G     |
| 18 | OH3980A0  | STAFFA DX SUPPORTO MUFFOLA INOX          |
| 19 | OH3981A0  | STAFFA SX SUPPORTO MUFFOLA INOX          |
| 20 | CE116A1   | CAVO 3X1,5 H07RN-F MTL 5+K2/3+SCHUKO     |
| 21 | CE1310A1  | CAVO COLLEGAMENTO POTENZA CONTROLLO      |
| 22 | CE1285A0  | FERRITE EMI ROUND MOD. 2643801502        |
| 23 | CE1400A0  | CAVO RJ45 - RJ45 L=0,5MT                 |
| 24 | ED1115A0  | ETICHETTA UNOX ELLISSE 235X100           |
| 25 | EL1055A0  | RIDUZIONE J.G. DA D=10 A D=8 PM201008E   |
| 26 | EL1185A0  | RACCORDO A GOMITO J.GUEST Ø8 - Ø8        |
| 27 | EL1195A0  | RACCORDO A GOMITO CON J.GUEST            |
| 28 | EL1370A0  | RIDUTTORE PRESSIONE 2 BAR CUBEAIR        |
| 29 | EL1360A1  |  |
| 30 | GN1000B0  | GUARNIZIONE NERA 50 SHORE FORNI XB-XG-XV |
| 31 | GN1045A0  | GUARN. ANTIVIBR. CAMMINO-SCARICO         |
| 32 | GN1326A0  | GUARNIZIONE RES. 70X22X0,8               |
| 33 | RS1215A0  | RESISTENZA 1 SPIRA 147 W 105 V           |
| 34 | GN1140A1  | GUARNIZIONE PORTAMOTORE STAMP.           |
| 35 | GN1180A0  | GUARNIZIONE CERNIERE VETRO INT.          |
| 36 | EL1252A0  | ELETTROVALVOLA H2O 1 VIA RID. VERDE      |
| 36 | EL1252A0  | ELETTROVALVOLA H2O 1 VIA RID. VERDE      |
| 37 | GN1275A0  | GUARNIZIONE CAMMINO SILICONE NERO XVC    |
| 38 | GN1285A0  | GUARNIZIONE SONDA DI TEMPERATURA NTC     |
| 39 | GRL1225A0 | SUPPORTO LATERALE DX INOX 77G GN1/I      |
| 40 | GRL1226A0 | SUPPORTO LATERALE SX INOX 77G GN1/I      |
| 41 | PD1001A0  | PIEDINO 35X35 H26 PLASTICA+GOMMA GRIGIO  |
| 42 | PE102     | SUPPORTO PER SCHEDA 24POT98              |
| 43 | PE1710A0  | SENSORE NUMERO GIRI MOTORE               |
| 44 | PE1725A3  | SCHEDA POTENZA FORNI C.T. B.T. SERIE     |
| 45 | PE1730B0  | SCHEDA GESTIONE CENTRALINA GAS           |
| 46 | EL1375A0  | FILTRO ACQUA Ø8 MESH100                  |
| 47 | RC1170A1  | DADO M14 H=8 CH=22 INOX                  |
| 48 | RC1210A1  | RACCORDO 3/4 VALVOLA DI NON RITORNO      |
| 50 | TB1815A0  | TUBO PE 7,93X4,75 TRASPARENTE            |
| 51 | TB1540A1  | TUBO INTERNO UMIDITA CENTRALE            |
| 52 | TB1055A0  | TUBO INTERNO UMIDITA DX D=16 SP=1        |
| 53 | TB1515A0  | TUBO ESTERNO UMIDITA + RACCORDO          |
| 54 | TB1600A0  | TUBO ESTERNO UMIDITA PIU RACCORDO INOX   |
| 55 | TF1010A0  | BOCCOLA TEFLON CERNIERA VETRO            |

|     |          |  |
|-----|----------|--|
| 56  | TR1041A2 | SONDA ALLUCINE STAFFA L=200              |
| 57  | TR1105A0 | SONDA TEMPERATURA PT100 L=1000           |
| 58  | TR255B   | TERMOSTATO SIC.+UNIPOL.330°C Ty95H       |
| 59  | LP1002B1 | BIGLIETTO MIN. ZI. NELET L=10            |
| 61  | VE02C A1 | MORSETTI RUTTURE PER RILAVIA NTC         |
| 62  | VE1030A1 | CALAMITA D=22,9mm PER MICROPORTA         |
| 63  | VE1135A0 | ATTUATORE VENTURI 220V 50/60 Hz SERIE 2  |
| 64  | VE1110A0 | CONDENSATORE 6,3 µF 450VAC 50/60Hz       |
| 65  | VE311    | FUSIBILE 5x20 1,6A RAPIDO XG410/310      |
| 66  | VI1035A1 | NOTTOLINO M6x12,5 CON TAGLIO OTT.CROM.FE |
| 68  | VM1160A1 | STAFFA INF. PORTA XVC204/304/504/704     |
| 69  | VM1165A1 | STAFFA SUP. PORTA XVC204/304/504/704     |
| 70  | VM1166A0 | COPERCHIO STAFFA SUPERIORE PORTA         |
| 71  | VM1170B0 | TAPPO FULCRO SUP. PORTA XVC204/304/504/7 |
| 72  | VM1171B0 | TAPPO FULCRO INF. PORTA XVC204/304/504/7 |
| 73  | VM1175A0 | TAPPO ESTETICO COLONNINA PORTA           |
| 75  | VM1180A0 | IMPUGNATURA MANIGLIA XVC204/304/504/704  |
| 76  | VM1190A1 | SCROCCO MANIGLIA DX XVC204/304/504/704   |
| 77  | VM1191A1 | SCROCCO MANIGLIA SX XVC204/304/504/704   |
| 78  | VM1192A0 | COPERCHIO SCROCCO MANIGLIA XVC204/304/5  |
| 79  | VM1195A0 | PIASTRINA COPRIFORI XVC204/304/504/704   |
| 80  | VM1201A1 | PIASTRINA SUPPORTO MICROPORTA MAGNETICO  |
| 81  | VM1206B0 | PROFILO SALVAGOCCIA PORTA XVC304/504/704 |
| 82  | VM1216B0 | CASSETTO RACCOGLIGOCCE XVC104/304/504/7  |
| 83  | VM1220A0 | CLIP FISSAGGIO CASSETTO RACCOGLIGOCCE    |
| 84  | VM1230A0 | CERNIERA SUP. ALLUMINIO VETRO            |
| 85  | VM1231A0 | CERNIERA INF. ALLUMINIO VETRO            |
| 86  | VM1235A0 | FERMA VETRO INTERNO SUP. XVC204/304/504  |
| 87  | VM1236A0 | FERMA VETRO INTERNO INF. XVC204/304/504  |
| 88  | VM1260A0 | CURVA A 90° RACCORDO SCARICO             |
| 90  | VM1465A0 | COPERCHIO SONDA TEMPERATURA CHEFTOP      |
| 91  | VM1505A0 | PASSAPARETE CON DIAFRAMMA                |
| 92  | VM250    | MORSETT. A PETTINE                       |
| 93  | VM1130A0 | MOTORE FORNO 330W 230V 50/60HZ           |
| 94  | VN1030A3 | VENTOLA D=196 H=81 39 PALE INOX DADO M8  |
| 96  | VT1100A0 | VETRO INTERNO 633X620X6 BETFL XVC504     |
| 97  | VT1101B0 | VETRO ESTERNO SER. 647X743X4 CTFL XVC505 |
| 99  | EL1210A0 | RACCORDO J.GUEST TERMINALE DIRITTO       |
| 100 | EL1020A0 | RACCORDO INTERMEDIO "T" TUBO ø8          |
| 101 | VM1510A0 | BOCCOLA SCANALATA PERNO PORTA XBC/XVC    |
| 102 | VM1511A0 | BOCCOLA LISCIA PERNO PORTA CHEFTOP       |
| 103 | VM1555A0 | SUPPORTO VENTOLA RAFFREDDAMENTO CT-BT    |
| 104 | VM1556A0 | PROTEZIONE VENTOLA RAFFREDDAMENTO CT-BT  |
| 105 | VM1490A0 | COPRI VITI MANIGLIA CHEFTOP BAKERTOP     |
| 106 | VM1566A0 | PORTA BOBINA SUPERIORE VENTURI           |
| 108 | GN1200A0 | GUARNIZIONE D=24 RACCORDO 3/4 GOMMA+RETE |

|     |          |                                  |
|-----|----------|----------------------------------|
| 109 | TB1924A0 | TUBO SILICONE VENTURI D25 XBC605 |
| 110 | VN1120B0 | VENTOLA RAFFREDDAMENTO 12V       |

|     |           |  |
|-----|-----------|--|
| 201 | ON1135A1  | FORCHETTA FISSA TURBOLATORE AISI321SERIE |
| 202 | ON1160A0  | CANNA SCAMBIATORE INOX XVC514G           |
| 203 | ON1165A0  | TURBOLATORE INOX XVC514G                 |
| 204 | ON1310A0  | SCATOLA SUP. BRUCIATORE ATM V2           |
| 205 | ON1185A1  | SCATOLA INFERIORE INOX XVC314/514/714G   |
| 206 | ON1190A0  | SCUDO INTERNO INOX XVC314/514/714        |
| 207 | ON1195A0  | SCUDO INTERMEDIO INOX XVC314/514/714 G   |
| 208 | ON1205A1  | INTERRUTTORE TIRAGGIO FUMI XVC314/514/71 |
| 209 | BR1305A0  | ASS. BRUCIATORE ATM XVC/XBC 5 CANDELE    |
| 210 | BR1310A0  | CANDELA DOPPIA ACCENSIONE XVC-XBC        |
| 211 | BR1230A0  | CANDELA DI RILEVAZIONE ACCENSIONE        |
| 212 | EL1400A0  | ELETTROVALV GAS MODULANTE 230V 50/60 HZ  |
| 213 | LV1525A0  | GUARNIZIONE CORDA FIBRA DI VETRO C-CANNE |
| 214 | RC1045A1  | RACC. DRITTO OTT.FIL.3/4GAS FEMM.-3/4    |
| 215 | RC1325A1  | RACCORDO FLESS. LE GAS 3/8 EST-M13X1     |
| 216 | TF1040A0  | COLONNINA FISSAGGIO BRUCIATORE XVC/XBC   |
| 217 | TF1045A0  | PERNO SOSTEGNO ANTERIORE BRUCIATORE      |
| 218 | VE1055A1  | CONTROLLO FIAMMA HLL 220-240V 5 SEC      |
| 219 | VE1060A0  | COPERCHIO PER VE1055A0                   |
| 220 | VE1065A0  | ACCENDITORE H21/09/02/220V-50Hz          |
| 221 | GR1070A0  | ANELLO PER LABIRINTO CANNA-PORTACANNA    |
| 222 | VII130A0  | RONDELLA ALL.24x18x1,5 TENUTA GAS        |
| 223 | VII140A0  | DADO 3/8" GAS FEMM 22x7 OTTONE OT58      |
| 224 | VII255A0  | DADO M8 H=8 UNI5587 OTTONE-CROMATO       |
| 225 | VII1560A0 | RONDELLA BUGNATA Di=4 De=28 Sp=0,8 INOX  |
| 228 | TR1110A0  | SONDA TEMPERATURA TC K L=2000            |
| 229 | VG1003A0  | TAPPO COPRI MODULATORE VALVOLA GAS       |

# MOD: XVC515G

Вип Общепит

# EXPLODED VIEW DISEGNO ESPLOSO



## DESCRIZIONE CODICI

|    |           |   |
|----|-----------|---|
| 1  | OD1775A1  | XVC315/515/715G STAINLESS STEEL COVER     |
| 2  | OD1900A0  | XVC505 STAINLESS STEEL LEFT SIDE PANEL    |
| 3  | OD1901A0  | XVC505 STAINLESS STEEL RIGHT SIDE PANEL   |
| 4  | OF1385A0  |   |
| 5  | OG1420A0  |   |
| 6  | OG1325A1  |   |
| 7  | OH1450A0  | XB-XV-XG ST. STEEL MUFFLE FRONT CORNER    |
| 8  | OH2551A0  | XBC/XVC ST. STEEL COVER FOR DRAIN PIPE    |
| 9  | OH2560A0  | XBC/XVC ZINC PLAT. DOOR COUNTERBRACKET    |
| 10 | TB1190A0  | XVC505 XBC605 ST. STEEL RIGHT DOOR COLUMN |
| 11 | TB1191A0  | XVC505 XBC605 ST. STEEL LEFT DOOR COLUMN  |
| 12 | TB1220A0  | XVC305/505/705 ST. STEEL DOOR UPPER BAR   |
| 13 | TB1221A0  | XVC305/505/705 ST. STEEL DOOR LOWER BAR   |
| 14 | OH2650A0  | XBC/XVC ST. STEEL INTERNAL GLASS HINGE    |
| 15 | OH4310A0  | MOLDED ST. STEEL HEAT-GUARD FOR PANEL     |
| 16 | OH4305A1  | ST. STEEL SEALING DISC FOR MOTOR SHAFT    |
| 17 | OP1000A0  | XVC3/5/715G ST. ST. EL. COMPONENTS PANEL  |
| 18 | OH3980A0  | ST. STEEL CHAMBER RIGHT HOLDING BRACKET   |
| 19 | OH3981A0  | ST. STEEL CHAMBER LEFT HOLDING BRACKET    |
| 20 | CE116A1   | EL CABLE 3x1.5 H07RN-F MIT1,5+K2/3+SCHUKO |
| 21 | CE1310A1  | POWER - CONTROL BOARD CONNECTING CABLE    |
| 22 | CE1285A0  | EMI ROUND FERRITE MOD.2643801502          |
| 23 | CE1400A0  | RJ45 - RJ45 CABLE L=0,5MT                 |
| 24 | ED1115A0  | 235X100 UNOX LABEL                        |
| 25 | EL1055A0  | STRAIGHT REDUCTION FROM D=10 TO           |
| 26 | EL1185A0  | ELBOW CONNECTION J. GUEST Ø8 - Ø8         |
| 27 | EL1195A0  | ELBOW UNION WITH J.GUEST TERMINAL         |
| 28 | EL1370A0  | DYNAMIC PRESSURE REDUCER 2 Bar            |
| 29 | EL1360A1  |   |
| 30 | GN1000B0  | BLACK DOOR SEAL 50 SHORE OVENS XB-XG-XV   |
| 31 | GN1045A0  | ANTIVIBR. SEAL FOR EXHAUST CHIMNEY        |
| 32 | GN1326A0  | ELEMENT SEALING 70X22X0.8                 |
| 33 | RS1215A0  | 147 W 105 V 1 TURN HEATING ELEMENT        |
| 34 | GN1140A1  | MOLDED MOTOR SUPPORT GASKET               |
| 35 | GN1180A0  | INTERNAL GLASS HINGE CARBONOGRAPHITE      |
| 36 | EL1252A0  | ONE INLET WATER VALVE J.G.CONN.           |
| 36 | EL1252A0  | ONE INLET WATER VALVE J.G.CONN.           |
| 37 | GN1275A0  | BLACK SILICON XBC/XVC CHIMNEY SEALING     |
| 38 | GN1285A0  | NTC TEMPERATURE PROBE SEALING             |
| 39 | GRL1225A0 | 7 GN1/1 ST. STEEL RIGHT LATERAL SUPPORT   |
| 40 | GRL1226A0 | 7 GN1/1 ST. STEEL LEFT LATERAL SUPPORT    |
| 41 | PD1001A0  | FOOT 35X35 H26 GREY PLASTIC+RUBBER        |
| 42 | PE102     | SUPPORT FOR CARD 24POT98                  |
| 43 | PE1710A0  | MOTOR REVOLUTIONS SENSOR                  |
| 44 | PE1725A3  | SERIES 5 CT. B.T. POWER CARD              |
| 45 | PE1730B0  | GAS GEARCASE CONTROL BOARD                |
| 46 | EL1375A0  | Ø8 MESH100 WATER FILTER                   |
| 47 | RC1170A1  | STAINLESS STEEL NUT M14 H=8 CH=22         |
| 48 | RC1210A1  | 3/4 FEM. UNION+ FILTER + NONRETURN VALVE  |
| 50 | TB1815A0  | WHITE PE PIPE 7,93X4,75                   |
| 51 | TB1540A1  |   |
| 52 | TB1055A0  | STAINLESS STEEL INNER RIGHT WATER         |
| 53 | TB1515A0  | STAINLESS STEEL EXTERNAL WATER            |
| 54 | TB1600A0  | EXTERNAL WATER PIPE + ST. STEEL JOINT     |
| 55 | TF1010A0  | TEFLON BUSHING FOR INTERNAL GLASS         |

|     |           |   |
|-----|-----------|---|
| 56  | TR1041A2  | MOLDED CORE PROBE L=2000                  |
| 57  | TR1105A0  | TEMPERATURE PROBE PT100 L=1000            |
| 58  | TR255B    | SAFETY THERMOSTAT+UNIPOL 330°C            |
| 59  | LP1002PJ  | LED LIGHT BURNER 100                      |
| 61  | VE.02C.A1 | MAGNETIC CONTACT MICROSWITCH              |
| 62  | VE1030A1  | MAGNET FOR DOOR MICROSCHWITZ D=22,9mm     |
| 63  | VE1135A0  | VENTURI ACTUATOR 220 V 50/60 Hz SERIES 2  |
| 64  | VE1110A0  | CONDENSER 6,3 µF 450VAC 50/60Hz           |
| 65  | VE311     | FUSE 5x210 1,6A RAPIDO XG410              |
| 66  | VM1035A1  | CHROMIUM PLATED BRASS NUT M6x12,5         |
| 68  | VM1160A1  | XVC204/304/504/704 LOWER DOOR BRACKET     |
| 69  | VM1165A1  | XVC204/304/504/704 UPPER DOOR BRACKET     |
| 70  | VM1166A0  | CAP FOR DOOR UPPER STIRRUP XVC204/304/5   |
| 71  | VM1170B0  | DOOR UPPER FULCRUM-CAP XVC204/304/504/70  |
| 72  | VM1171B0  | XVC204/304/504/70 DOOR LOWER FULCRUM-CAP  |
| 73  | VM1175A0  | DOOR COLUMN BLANKING CAP XVC204/304/504   |
| 75  | VM1180A0  | HANDLE HAFT XVC204/304/504/704            |
| 76  | VM1190A1  | RIGHT DOOR SPRING LATCH XVC204/304/504/   |
| 77  | VM1191A1  | LEFT DOOR SPRING LATCH XVC204/304/504/7   |
| 78  | VM1192A0  | DOOR SPRING LATCH CAP XVC204/304/504/704  |
| 79  | VM1195A0  | HOLES BLANKING PLATE XVC204/304/504/704   |
| 80  | VM1201A1  | MAGNETIC SUPPORT PLATE FOR DOOR MICROSOW. |
| 81  | VM1206B0  | DOOR DROP PRESERVER FORM XVC304/504/704   |
| 82  | VM1216B0  | DRIP TRAY XVC304/504/704                  |
| 83  | VM1220A0  | CLIP TO FIX DRIP TRAY C.T.                |
| 84  | VM1230A0  | UPPER ALUMINIUM HINGE FOR INTERNAL        |
| 85  | VM1231A0  | LOWER ALUMINIUM HINGE FOR INTERNAL        |
| 86  | VM1235A0  | UPPER HOOK TO STOP INNER GLASS            |
| 87  | VM1236A0  | LOWER HOOK TO STOP INNER GLASS            |
| 88  | VM1260A0  | 90°C CURVED DRAIN PIPE                    |
| 90  | VM1465A0  | CHEFTOP TEMPERATURE PROBE COVER           |
| 91  | VM1505A0  | WALL PASSING WITH DIAPHRAGM               |
| 92  | VM250     | "COMB" TERMINAL BOARD                     |
| 93  | VM1130A0  | 330W 230V 50/60HZ MOTOR                   |
| 94  | VM1030A3  | ST. STEEL FAN D=196 H=81 39 BLADES        |
| 96  | VT1100A0  | INNER GLASS 633X620X6 BETFL XVC504        |
| 97  | VT1101B0  | XVC505 EXTERNAL GLASS 647x743x4           |
| 99  | EL1210A0  | J. GUEST STRAIGHT END CONNECTION          |
| 100 | EL1020A0  | INTERMEDIATE "T" CONNECTION ø8            |
| 101 | VM1510A0  | XBC/XVC GROOVED DOOR PIN BUSHING          |
| 102 | VM1511A0  | XBC/XVC SLEEK DOOR PIN BUSHING            |
| 103 | VM1555A0  | XBC-XVC COOLING FAN SUPPORT               |
| 104 | VM1556A0  | XBC-XVC COOLING FAN GUARD                 |
| 105 | VM1490A0  | CHEFTOP/BAKERTOP HANDLE SCREWS COVER      |
| 106 | VM1566A0  | UPPER VENTURI COIL SUPPORT                |
| 108 | GN1200A0  | 3/4 CONNECTION SEAL D=24 RUBBER+NET       |

|     |          |                      |
|-----|----------|----------------------|
| 109 | TB1924A0 |                      |
| 110 | VM1120B0 | 12V COOLING DOWN FAN |

|     |          |  |
|-----|----------|--|
| 201 | ON1135A1 | BAFFLE FIXING FORK                       |
| 202 | ON1160A0 |  |
| 203 | ON1165A0 |  |
| 204 | ON1310A0 | UPPER BOX FOR ATM V2 BURNER              |
| 205 | ON1185A1 |  |
| 206 | ON1190A0 | XBC-XVC INTERNAL BURNER GUARD            |
| 207 | ON1195A0 | XBC-XVC MID BURNER GUARD                 |
| 208 | ON1205A1 |  |
| 209 | BR1305A0 |  |
| 210 | BR1310A0 | XBC-XVC DOUBLE START UP CANDLE           |
| 211 | BR1230A0 | START UP SENSOR CANDLE                   |
| 212 | EL1400A0 | MODULATING GAS ELECTROVALVE 230V 50/60Hz |
| 213 | LV1525A0 |  |
| 214 | RC1045A1 | 3/4 FEMALE-3/4 STRAIGHT GAS CONNECTION   |
| 215 | RC1325A1 |  |
| 216 | TF1040A0 |  |
| 217 | TF1045A0 | FRONT BURNER RESTING PIN                 |
| 218 | VE1055A1 | HLL 220-240V 5 SEC FLAME CONTROL         |
| 219 | VE1060A0 | COVER FOR VE1055A0                       |
| 220 | VE1065A0 | LIGHTER H21/09/02/220V-50Hz              |
| 221 | GR1070A0 | STAINLESS STEEL RING FOR LABYRINTH       |
| 222 | VM1130A0 | ALUMINIUM BUSHING 24x18x1,5 TO HOLD GAS  |
| 223 | VM1140A0 | BRASS FEMALE GAS NUT 3/8" 22x7           |
| 224 | VM1255A0 | NUT M8 H=8 UN15587 BRASS-CHROMED         |
| 225 | VM1560A0 | ENG-RODELTA BUGNATA Di=4 De=28           |
| 228 | TR1110A0 | TC K TEMPERATURE PROBE L=2000            |
| 229 | VG1003A0 |  |

**MOD: XVC515G**

Вип Общепит

EXPLODED VIEW  
DISEGNO ESPLOSO



vsezip.ru

+7(812)987-08-81