

Зип Общепит

vsezip.ru

+7(812)987-08-81

# WAREWASHER

ELECTRONICAL SWITCHES  
SIMPLE BODY VERSION  
LOWER AND UPPER VERSION

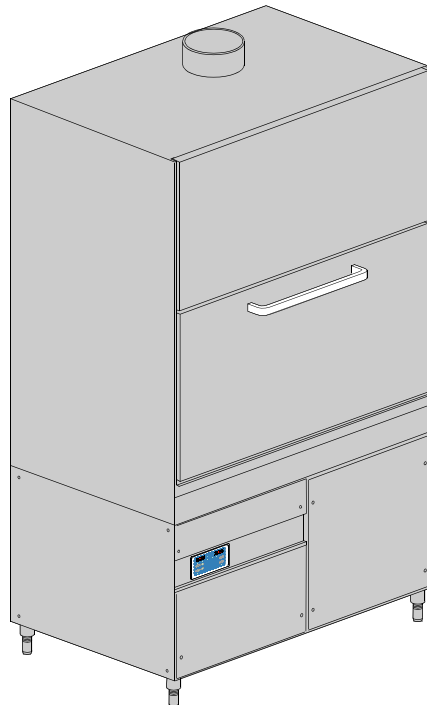
TYPE: 35ER

Accessories  
BOOSTER PUMP  
DVGW  
DETERGENT DISPENSER  
DRAIN PUMP

---

## Spare Parts Manual

---



**INFORMAZIONI GENERALI**

Questo catalogo serve per richiedere con esattezza le parti di ricambio

Nelle ordinazioni indicare:

1) il numero dei codici dei particolari seguito dalla descrizione e la quantità desiderata;

2) Il codice alfa-numerico presente nella seconda colonna della tabella ;

**I disegni delle parti di ricambio sono solo indicativi e non rappresentano il pezzo in oggetto.**

**I dati contenuti in questo catalogo sono indicativi e possono essere soggetti a modifiche senza impegno di preavviso.**

**ALLGEMEINE INFORMATIONEN**

Dieser Ersatzteilkatalog dient zur genauen Angabe der Teile bei Ersatzteilbestellungen.

Bei Ersatzbestellung ist folgendes anzugeben:

1) Die Bestellnummer der Ersatzteile mit der entsprechenden Beschreibung genaue Menge;

2) Der alpha-numerischer Code auf der zweiten Reihe in dein Sculd;

**Die Zeichnungen der Ersatzteile sind nur als Hinweise gedacht und stellen nicht das betroffene Teil dar.**

**Bei den im Katalog angeführten Daten handelt es sich um Anhaltsdaten, die jederzeit, ohne Vorankündigung, geändert werden können.**

**GENERAL INFORMATION**

The present spare parts order exactly the right spare parts

When ordering specify:

1) the part's code number followed by its description and quantity needed;

2) The alpha-numeric code is in the second column in the chart;

**Spare parts drawings are general and do not represent the part.**

**The contents of this catalogue are general and can undergo changes without prior notice.**

**INFORMACIONES GENERALES**

El presente catálogo sirve para pedir con exactitud las partes de repuesto

En los pedidos se debe indicar:

1) el número de código de la parte y a continuación la descripción cantidad deseada;

2) El código alfanumerico presente en la segnada columna de la tabla;

**Los diseños de las partes de recambio son solo indicativos y no representan la pieza en cuestión.**

**Los datos contenidos en el presente catálogo son indicativos y pueden modificarse sin aviso previo.**

**INFORMATIONS GENERALES**

Ce catalogue permet de commander correctement les pièces détachées

Les commandes doivent être passées en indiquant:

1) le numero de code des pièces détachées suivi de leur description quantité désirée;

2) le code alphanumérique dans la deuxième colonne du tableau;

**Les plans des pièces détachées sont fournis seulement à titre indicatif et ne représentent pas la pièce concernée.**

**Les données de ce catalogue sont citées seulement à titre indicatif et peuvent être l'objet de modifications sans avis préalable.**

**ESEMPIO  
EXAMPLE  
EXEMPLE  
BEISPIEL**

| Rif.               | Codici  |
|--------------------|---------|
| MODULE:Particolari |         |
| 10505              | 540903  |
| 10510              | 540908  |
| 10515              | 15065/A |
| 10520              | 540086  |
| 10525              | 540028  |



**Note**

Tutte le informazioni riportate si intendono aggiornate alla data di stampa. Il Produttore si riserva il diritto di apportare qualsiasi modifica richiesta dallo sviluppo evolutivo dei suddetti prodotti.

Per la sicurezza ,la garanzia, l'affidabilità ed il valore della lavastoviglie usa solo ricambi originali. **Per alcuni codici, sono richieste quantità minime d'ordine.**



**Attenzione**

Questo libretto è parte integrante della lavastoviglie e, in caso di passaggio di proprietà, deve essere consegnato al nuovo acquirente.



**Remarque**

Toutes les informations contenues dans ce manuel s'entendent mises à jour à la date d'impression. En raison du développement constant de ses produits, usine se réserve le droit d'apporter à tout instant les modifications qu'elle jugera utiles.

Pour la sécurité, la garantie, la fiabilité et la valeur de votre lavevaisselles n'utilisez que des pièces de rechange d'origine. **Pour quelque référence on demande un minimum de pièces par commande**



**Attention**

Ce manuel doit être considéré comme partie intégrante de la lavevaisselles, en cas de transfert de propriété, doit toujours être remis au nouveau propriétaire.



**Note**

The information contained herein is valid at the time of going to print. The Company reserves the right to make any changes required by the future development of the above-mentioned products.

For your safety, as well as to preserve the warranty reliability and worth of your dishwashers , use original spare parts only. **For some codes a minimum quantity for order is required.**



**Warning**

This manual forms an integral part of the dishwashers and - if a transfer of title occurs - must always be handed over to the new owner.



**Hinweis**

Die Der Hersteller behält sich das Recht vor, jegliche, durch eine Weiterentwicklung der genannten Produkte bedingte Änderungen vornehmen zu können.

Verwenden Sie für Ihre Sicherheit, die Garantie, die Zuverlässigkeit und den Wert Ihrer machine originale Ersatzteile. **Für bestimmte Code nummer werden mindesten bestellungen verlangt.**



**Achtung**

Diese Betriebsanleitung ist Bestandteile des machine und muss bei seinem Weiterverkauf dem neuen Besitzer ausgehändigt werden.

vsezip.ru  
+7(812)987-08-81

**Code** 999XXYYYY **CL/Part**

**Model DESCRIPTION**

**S/N** 04012345 **Type** .....

400VAC3N 50HZ 8A  
3500W 500W

**IPX3** 16A

**TECHICAL SPECIFICATION**

Pressione Dinamica alimentazione idrica **200-500**  
 Pression dynamique arrivée d'eau  
 Dynamic pressure water supply  
 Dynamischer Druck assereinlauf

**MADE IN ITALY**

Pressione dinamica vapore saturo  
 Pression dynamique vapeur saturée  
 Dyanischer Druck gesättigter Dampf  
 Pression Dinamica Vapor Saturado

Temperatura massima acqua in ingresso **60°C**  
 Temperature max eau a l'entre  
 Maximale Temperatur Wasseranschluß  
 Maximum Water temperature in-feeding

**Model** **S/N**

**CODE 999 XX YYYY**

FAMIGLIA PRODOTTO  
 FAMILY PRODUCT  
 FAMILLE DU PRODUIT  
 FAMILIA PRODUCTO  
 FAMILIE DES PRODUKTES

CODICE MODELLO  
 CODE MODEL  
 CODE ARTICLE  
 CODIGO MODELO  
 KODE VON MODELL

**S/N 04 012345**

ANNO  
 YEAR  
 ANNÉE  
 AN"O  
 JAHR

NUMERO DI SERIE  
 SERIAL NUMBER  
 NUMÉRO DI SÉRIE  
 NUMERO DI SERIE  
 SERIENNUMMER

Spare parts

---

**Зип Общепит**

**vsezip.ru**

**+7(812)987-08-81**

vsezip.ru

+7(812)987-08-81

## 1. Spare parts

|   |    |
|---|----|
| General body parts.....                 | 7  |
| Lockup system .....                     | 9  |
| Control panel and switches.....         | 11 |
| Electric control components.....        | 13 |
| Solenoid valve group .....              | 15 |
| Booster pump.....                       | 17 |
| DVGW .....                              | 19 |
| Rinse aid dispenser group.....          | 21 |
| Boiler group .....                      | 23 |
| 3 ways connection .....                 | 25 |
| Wash pump .....                         | 27 |
| Dosing detergent group.....             | 29 |
| Pressure switch group with air trap ... | 31 |
| Turret group with rotating arms .....   | 33 |
| Turret group with rotating arms .....   | 35 |

vsezip.ru

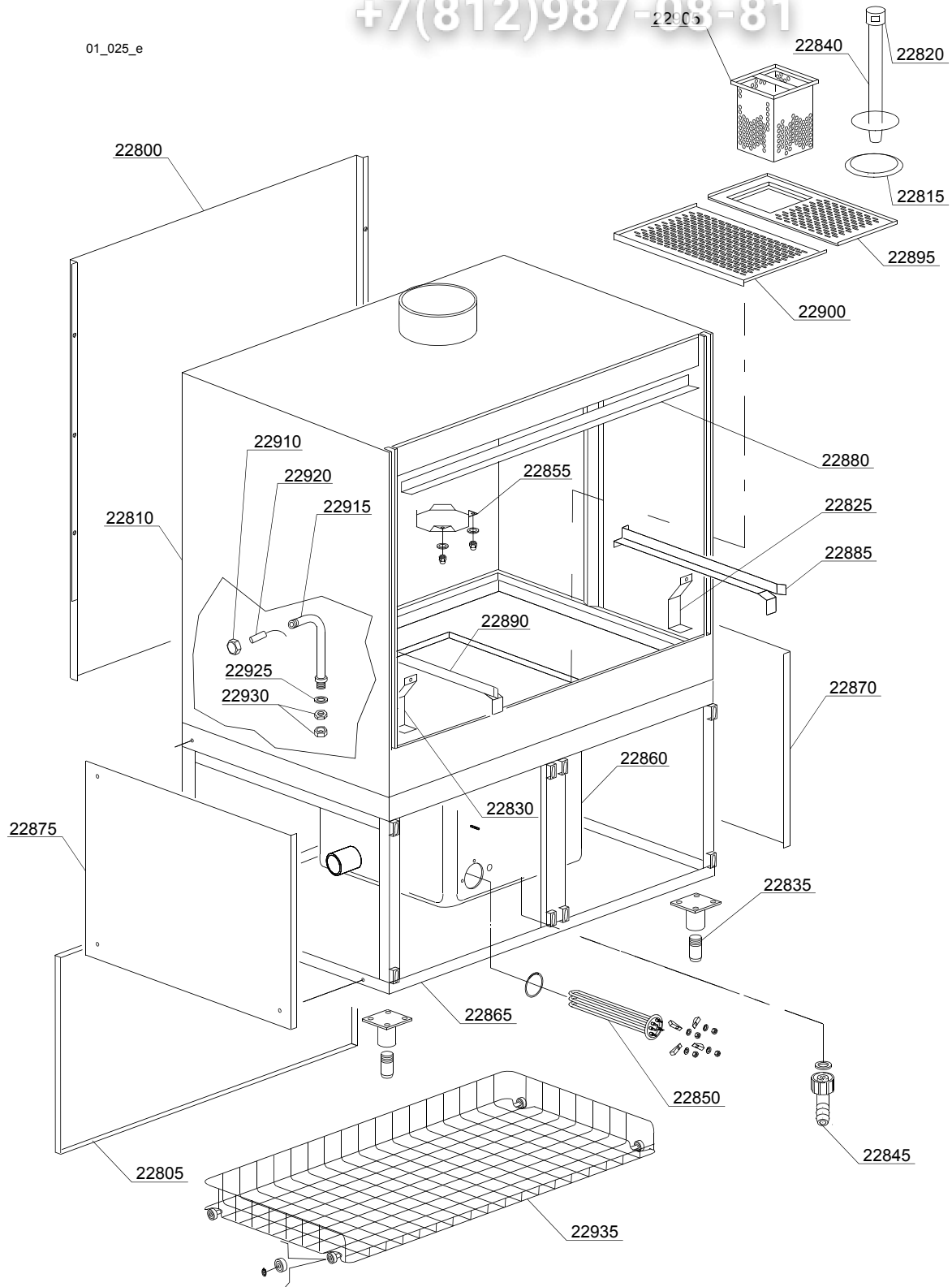
+7(812)987-08-81

## 1.1 Voltage codes

| Volt | Voltage code            |
|------|-------------------------|
| A    | 3/N/PE~380-400V 50-60Hz |
| D    | 3/PE~200-210V 50-60Hz   |
| F    | 2/PE~220-240V 50-60Hz   |
| G    | 3/N/PE~415V 50-60Hz     |
| H    | 3/PE~220-230V 50-60Hz   |
| K    | 3/PE~380-400V 50-60Hz   |
| L    | 3/PE~415V 50-60Hz       |
| M    | 3/PE~440V 60Hz          |
| P    | 1/N/PE~220-230V 50-60Hz |
| R    | 2/PE~220-240V 50-60Hz   |
| U    | 1/N/PE~240V 50-60Hz     |
| V    | 3/PE~240V 50-60Hz       |
| W    | 1/N/PE~100-110V 50-60Hz |

## 1.2 Product codes

| Product code    | Full name                  |
|-----------------|----------------------------|
| Model codes     |                            |
| em              | ELECTROMECHANICAL SWITCHES |
| mc              | SIMPLE BODY VERSION        |
| uw              | LOWER AND UPPER VERSION    |
| Type codes      |                            |
| 35ER            | 35ER                       |
| Accessory codes |                            |
| bp              | BOOSTER PUMP               |
| dvgw            | DVGW                       |
| dd              | DETERGENT DISPENSER        |
| dp              | DRAIN PUMP                 |





| ID                               | P-code   | SN from | SN to | Mod | Acces. | Volt            | Description                        |
|----------------------------------|----------|---------|-------|-----|--------|-----------------|------------------------------------|
| <b>Module:General body parts</b> |          |         |       |     |        |                 |                                    |
| 22800                            | 89909    |         | -     |     |        |                 | Backpanel                          |
| 22805                            | 89910    |         | -     |     |        |                 | Lower back panel                   |
| 22810                            | 89902    |         | -     |     |        |                 | Body                               |
| 22815                            | 11600002 |         | -     |     |        |                 | Flange O-ring                      |
| 22820                            | 11600019 |         | -     |     |        |                 | Terminal overflow pipe             |
| 22825                            | 80936    |         | -     |     |        |                 | Right splash guard                 |
| 22830                            | 80937    |         | -     |     |        |                 | Left splash guard                  |
| 22835                            | 80116    |         | -     |     |        |                 | Foot 2" M65                        |
| 22840                            | 89933    |         | -     |     |        |                 | Overflow pipe                      |
| 22845                            | 15613    |         | -     |     |        |                 | Elbow 1¼"                          |
| 22850                            | 30001011 |         | -     |     |        | A,H,K,L,P,R,U,V | Heating element 9/9,8KW 230/240V 3 |
| 22855                            | 80931    |         | -     |     |        |                 | Chimney splash guard               |
| 22860                            | 89903    |         | -     |     |        |                 | Tank                               |
| 22865                            | 89904    |         | -     |     |        |                 | Base                               |
| 22870                            | 89905    |         | -     |     |        |                 | Right lower panel                  |
| 22875                            | 89906    |         | -     |     |        |                 | Side panel                         |
| 22880                            | 89926    |         | -     |     |        |                 | Upper chimney                      |
| 22885                            | 89911    |         | -     |     |        |                 | Right rack runner bracket          |
| 22890                            | 89912    |         | -     |     |        |                 | Left rack runner bracket           |
| 22895                            | 89916    |         | -     |     |        |                 | Front filter with holes            |
| 22900                            | 89915    |         | -     |     |        |                 | Rear filter                        |
| 22905                            | 88302    |         | -     |     |        |                 | Filter basket                      |
| 22910                            | 88114    |         | -     |     |        |                 | Plug 12 mm                         |
| 22915                            | 89006    |         | -     |     |        |                 | Sensor holder                      |
| 22920                            | 2000309  |         | -     |     |        |                 | Sensor                             |
| 22925                            | 10200171 |         | -     |     |        |                 | Gasket 17x25x2 (minimum 10 pieces) |
| 22930                            | 22214    |         | -     |     |        |                 | Nut                                |
| 22935                            | C118     |         | -     |     |        |                 | Rack                               |

e=ELECTRONICAL SWITCHES, mc=SIMPLE BODY VERSION, uw=LOWER AND UPPER VERSION

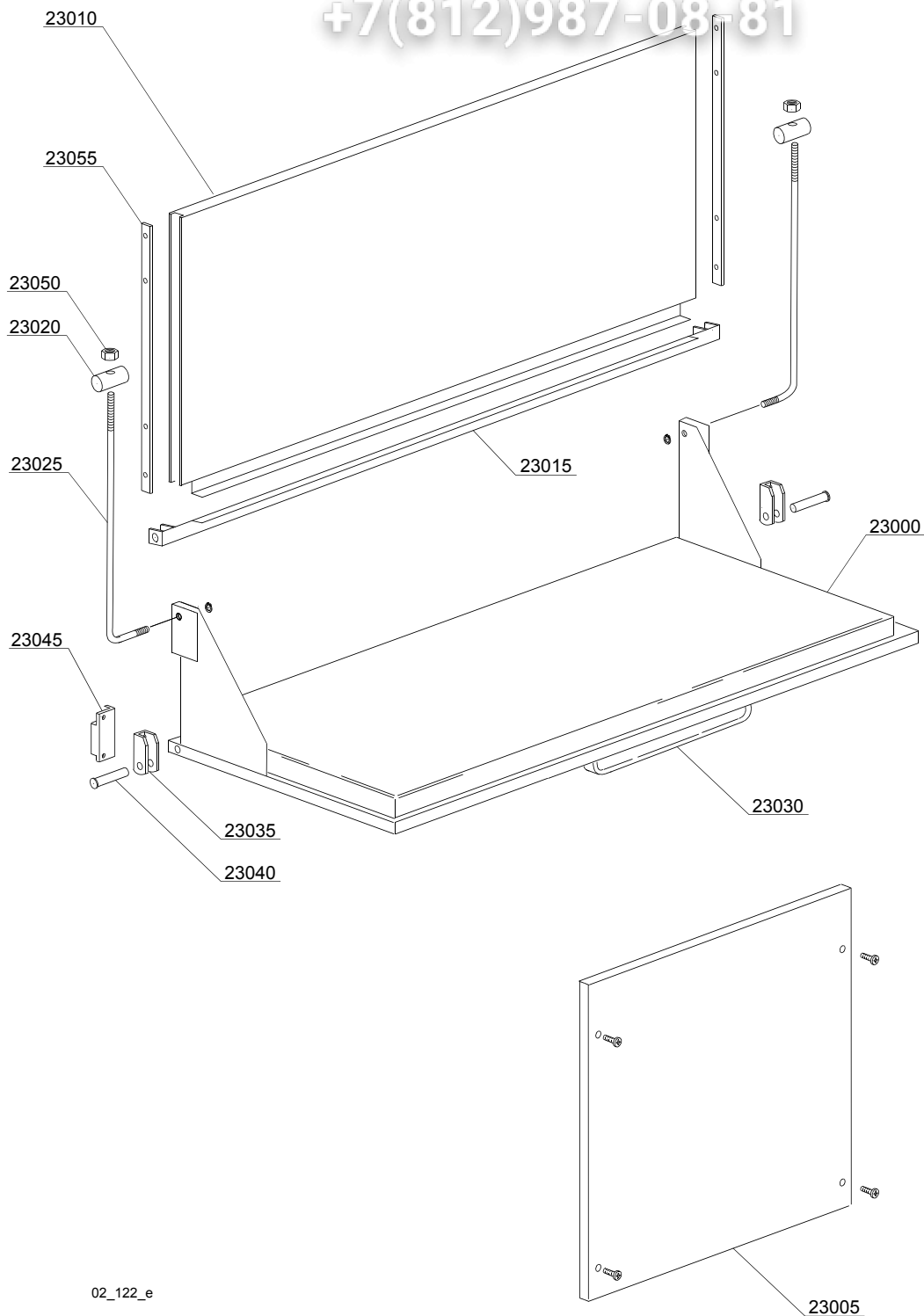
35ER=35ER

bp=BOOSTER PUMP, dvgw=DVGW, dd=DETERGENT DISPENCER, dp=DRAIN PUMP

A=3/N/PE~380-400V 50-60Hz, D=3/PE~200-210V 50-60Hz, F=2/PE~220-240V 50-60Hz, G=3/N/PE~415V 50-60Hz, H=3/PE~220-230V 50-60Hz, K=3/PE~380-400V 50-60Hz, L=3/PE~415V 50-60Hz, M=3/PE~440V 60Hz, P=1/N/PE~220-230V 50-60Hz, R=2/PE~220-240V 50-60Hz, U=1/N/PE~240V 50-60Hz, V=3/PE~240V 50-60Hz, W=1/N/PE~100-110V 50-60Hz

vsezip.ru

+7(812)987-08 81



02\_122\_e

vsezip.ru

| ID                           | P-code  | SN from | SN to | Mod. | Acces. | Volt | Description            |
|------------------------------|---------|---------|-------|------|--------|------|------------------------|
| <b>Module: Lockup system</b> |         |         |       |      |        |      |                        |
| 23000                        | 89901   |         | -     |      |        |      | Lower door             |
| 23005                        | 89907   |         | -     |      |        |      | Right under-door panel |
| 23010                        | 89900   |         | -     |      |        |      | Upper door             |
| 23015                        | 89922   |         | -     |      |        |      | Levers support         |
| 23020                        | 22219   |         | -     |      |        |      | Pin                    |
| 23025                        | 22220   |         | -     |      |        |      | Door rod               |
| 23030                        | 80750   |         | -     |      |        |      | Handle                 |
| 23035                        | 22206/B |         | -     |      |        |      | Door hinge             |
| 23040                        | 22220/A |         | -     |      |        |      | Pin for door           |
| 23045                        | 80232   |         | -     |      |        |      | Door magnet            |
| 23050                        | 11721   |         | -     |      |        |      | Nut (minnum 10 pieces) |
| 23055                        | 80700   |         | -     |      |        |      | Door guide             |

e=ELECTRONICAL SWITCHES, mc=SIMPLE BODY VERSION, uw=LOWER AND UPPER VERSION

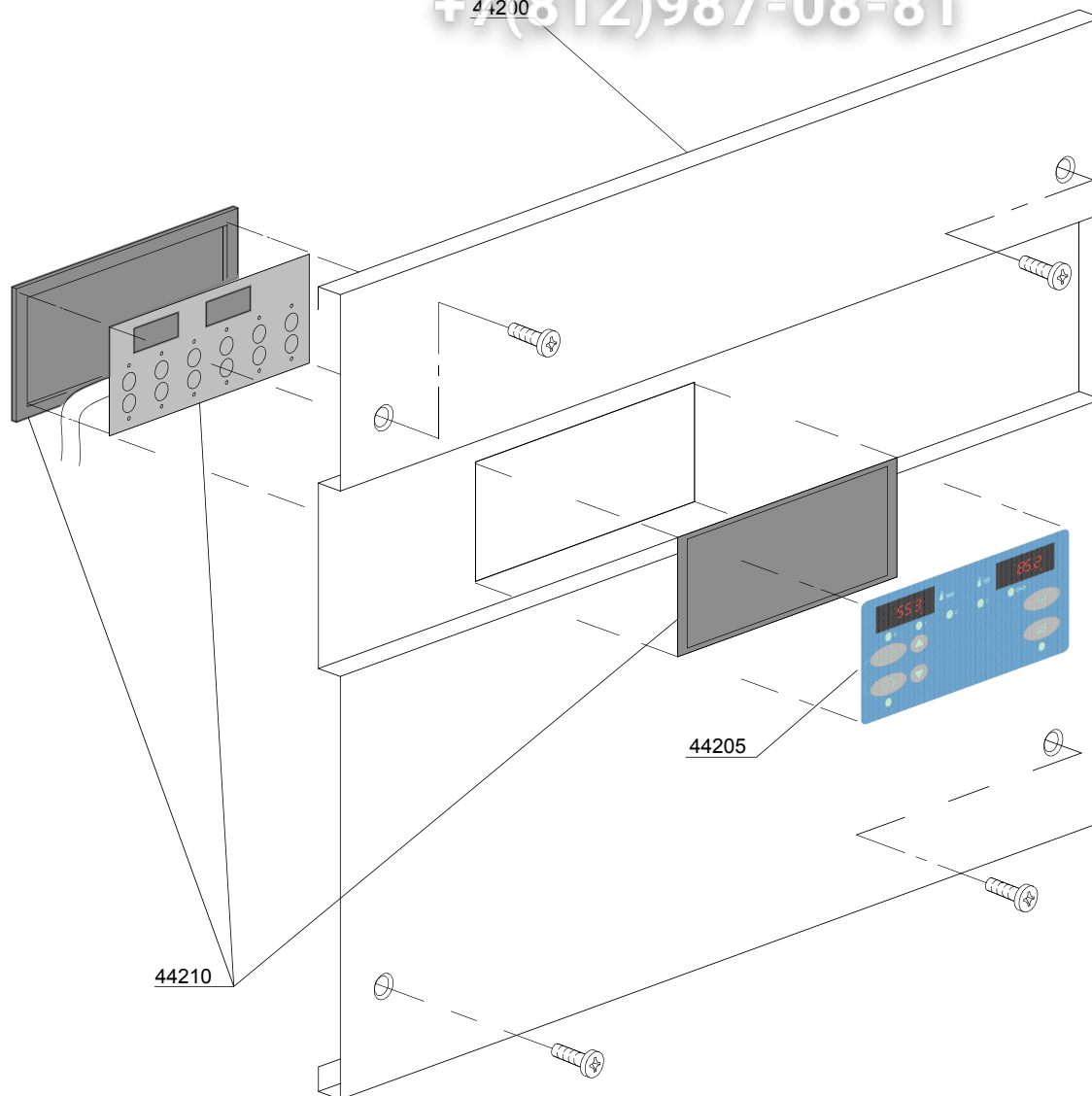
35ER=35ER

bp=BOOSTER PUMP, dvgw=DVGW, dd=DETERGENT DISPENCER, dp=DRAIN PUMP

A=3/N/PE~380-400V 50-60Hz, D=3/PE~200-210V 50-60Hz, F=2/PE~220-240V 50-60Hz, G=3/N/PE~415V 50-60Hz, H=3/PE~220-230V 50-60Hz, K=3/PE~380-400V 50-60Hz, L=3/PE~415V 50-60Hz, M=3/PE~440V 60Hz, P=1/N/PE~220-230V 50-60Hz, R=2/PE~220-240V 50-60Hz, U=1/N/PE~240V 50-60Hz, V=3/PE~240V 50-60Hz, W=1/N/PE~100-110V 50-60Hz

vsezip.ru

+7(812)987-08-81



03\_050\_e

vsezip.ru

| ID  | P-code  | SN from | SN to | Mod  | Acces. | Volt | Description  |
|---|---------|---------|-------|------|--------|------|--|
| <b>Module: Control panel and switches</b> |         |         |       |      |        |      |  |
| 44200                                     | 89937   |         | -     | e,mc |        |      | Stainless steel control panel  |
| 44205                                     | 50571   |         | -     | e,mc |        |      | Silkscreen processed grill membrane push button-driven dp+ws         |
| 44205                                     | 50575   |         | -     | e,mc |        |      | Neutral Silkscreen processed grill membrane push button-driven dp+ws |
| 44210                                     | 50570/A |         | -     | e,mc |        |      | Complete membrane push button-driver L=1500                          |

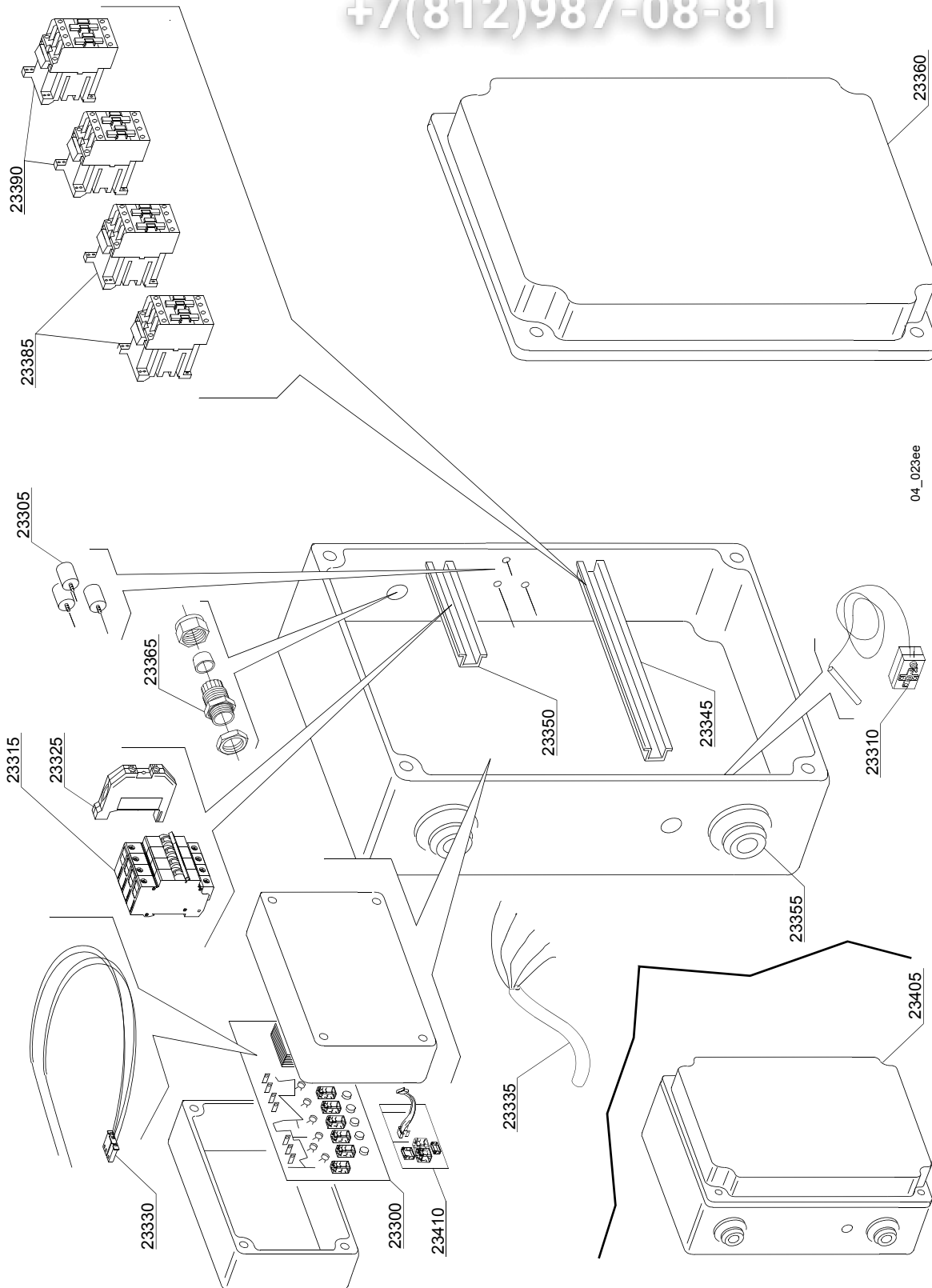
e=ELECTRONICAL SWITCHES, mc=SIMPLE BODY VERSION, uw=LOWER AND UPPER VERSION  
35ER=35ER

bp=BOOSTER PUMP, dvgw=DVGW, dd=DETERGENT DISPENCER, dp=DRAIN PUMP

A=3/N/PE~380-400V 50-60Hz, D=3/PE~200-210V 50-60Hz, F=2/PE~220-240V 50-60Hz, G=3/N/PE~415V 50-60Hz, H=3/PE~220-230V 50-60Hz, K=3/PE~380-400V 50-60Hz, L=3/PE~415V 50-60Hz, M=3/PE~440V 60Hz, P=1/N/PE~220-230V 50-60Hz, R=2/PE~220-240V 50-60Hz, U=1/N/PE~240V 50-60Hz, V=3/PE~240V 50-60Hz, W=1/N/PE~100-110V 50-60Hz

vsezip.ru

+7(812)987-08-81



04\_023ee

| ID   | P-code   | SN from | SN to | Mod. | Acces | Volt            | Description                               |
|--|----------|---------|-------|------|-------|-----------------|---|
| <b>Module: Electric control components</b> |          |         |       |      |       |                 |   |
| 23300                                      | 50569    |         | -     | mc   |       | A,H,K,P         | Timer                                     |
| 23305                                      | 15149    |         | -     | mc   |       | A,H,K,P         | Filter F3                                 |
| 23310                                      | 2000430  |         | -     | mc   |       | A,H,K,P         | Thermostat                                |
| 23315                                      | 2000411  |         | -     | mc   |       |                 | Automatic fuse C32                        |
| 23325                                      | 10300401 |         | -     | mc   |       |                 | 6/8mm <sup>2</sup> yellow/green terminal  |
| 23330                                      | 50562    |         | -     | mc   |       |                 | Sensor                                    |
| 23335                                      | 80200    |         | -     | mc   |       | A,G             | Power supply cable 5x4x3400               |
| 23345                                      | 80408    |         | -     | mc   |       |                 | L=345mm slide                             |
| 23350                                      | 80409    |         | -     | mc   |       |                 | L=140mm slide                             |
| 23355                                      | 80417    |         | -     | mc   |       |                 | Lead through rubber                       |
| 23360                                      | 80407    |         | -     | mc   |       |                 | Plastic box                               |
| 23365                                      | 80414    |         | -     | mc   |       |                 | Cable-press                               |
| 23370                                      | 15086    |         | -     | mc   |       |                 | Contacteur 230 V                          |
| 23385                                      | 10300050 |         | -     | mc   |       | A,F,H,K,<br>P,R | Contacteur 25A/12A 4NA 230V               |
| 23390                                      | 10300054 |         | -     | mc   |       | A,F,H,K,<br>P,R | Contacteur 25A/16A 4NA 230V               |
| 23405                                      | 89100/A  |         | -     | mc   |       | A               | 400Vac 3N complet electric box            |
| 23410                                      | 50559    |         | -     | mc   |       |                 | Electronic Timer optional+On-Board EXP-PS |

e=ELECTRONICAL SWITCHES, mc=SIMPLE BODY VERSION, uw=LOWER AND UPPER VERSION

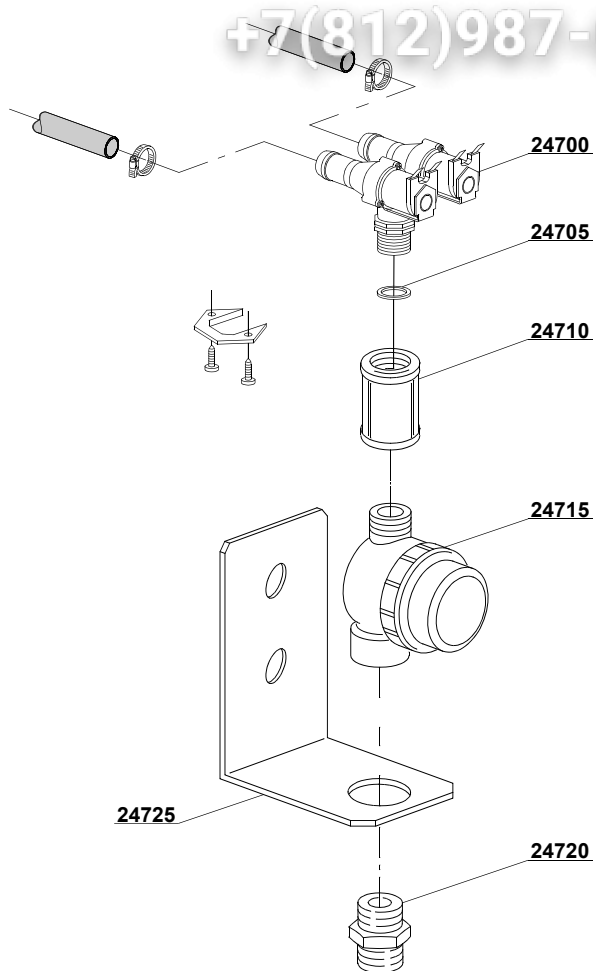
35ER=35ER

bp=BOOSTER PUMP, dvgw=DVGW, dd=DETERGENT DISPENCER, dp=DRAIN PUMP

A=3/N/PE~380-400V 50-60Hz, D=3/PE~200-210V 50-60Hz, F=2/PE~220-240V 50-60Hz, G=3/N/PE~415V 50-60Hz, H=3/PE~220-230V 50-60Hz, K=3/PE~380-400V 50-60Hz, L=3/PE~415V 50-60Hz, M=3/PE~440V 60Hz, P=1/N/PE~220-230V 50-60Hz, R=2/PE~220-240V 50-60Hz, U=1/N/PE~240V 50-60Hz, V=3/PE~240V 50-60Hz, W=1/N/PE~100-110V 50-60Hz

vsezip.ru

+7(812)987-08-81



05\_006\_e



vsezip.ru

| ID                                 | P-code   | SN from | SN to | Mod. | Acces. | Volt | Description             |
|------------------------------------|----------|---------|-------|------|--------|------|-------------------------|
| <b>Module:Solenoid valve group</b> |          |         |       |      |        |      |                         |
| 24700                              | 30001001 |         | -     |      |        |      | Solenoid valve          |
| 24705                              | N.C.     |         | -     |      |        |      | Pression reducing valve |
| 24710                              | 80275    |         | -     |      |        |      | Pipe coupling           |
| 24715                              | 2000121  |         | -     |      |        |      | Filter                  |
| 24720                              | 12025    |         | -     |      |        |      | Coupling                |
| 24725                              | 22236    |         | -     |      |        |      | Support                 |

e=ELECTRONICAL SWITCHES, mc=SIMPLE BODY VERSION, uw=LOWER AND UPPER VERSION

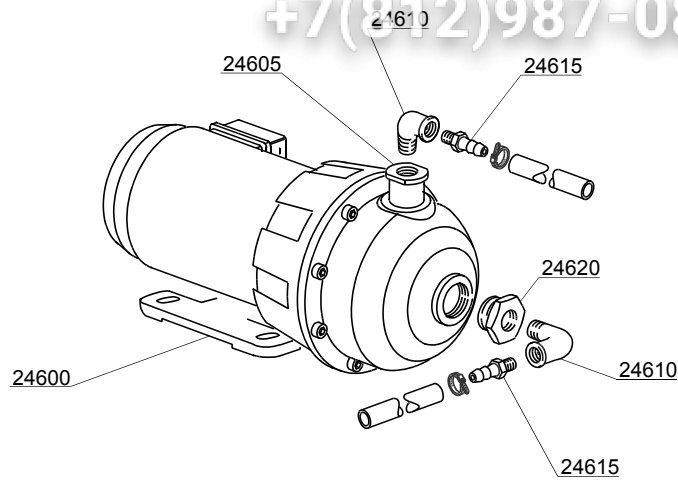
35ER=35ER

bp=BOOSTER PUMP, dvgw=DVGW, dd=DETERGENT DISPENCER, dp=DRAIN PUMP

A=3/N/PE~380-400V 50-60Hz, D=3/PE~200-210V 50-60Hz, F=2/PE~220-240V 50-60Hz, G=3/N/PE~415V 50-60Hz, H=3/PE~220-230V 50-60Hz, K=3/PE~380-400V 50-60Hz, L=3/PE~415V 50-60Hz, M=3/PE~440V 60Hz, P=1/N/PE~220-230V 50-60Hz, R=2/PE~220-240V 50-60Hz, U=1/N/PE~240V 50-60Hz, V=3/PE~240V 50-60Hz, W=1/N/PE~100-110V 50-60Hz

vsezip.ru

+7(812)987-08-81



07\_004\_e

vsezip.ru

| ID                         | P-code   | SN from | SN to | Mod | Acces. | Volt                | Description                 |
|----------------------------|----------|---------|-------|-----|--------|---------------------|-----------------------------|
| <b>Module:Booster pump</b> |          |         |       |     |        |                     |                             |
| 24600                      | 15100/L  |         | -     |     | bp     | A,F,G,H,K,L,P,R,U,V | Pump 0,6kW 220-240V 50HZ    |
| 24605                      | 80273    |         | -     |     | bp     |                     | Reduction piece             |
| 24610                      | 12017    |         | -     |     | bp     |                     | Elbow fitting 3/8 M-F       |
| 24615                      | 10221311 |         | -     |     | bp     |                     | Hose coupling - 12mm - 3/8" |
| 24620                      | 80272    |         | -     |     | bp     |                     | Coupling                    |

e=ELECTRONICAL SWITCHES, mc=SIMPLE BODY VERSION, uw=LOWER AND UPPER VERSION

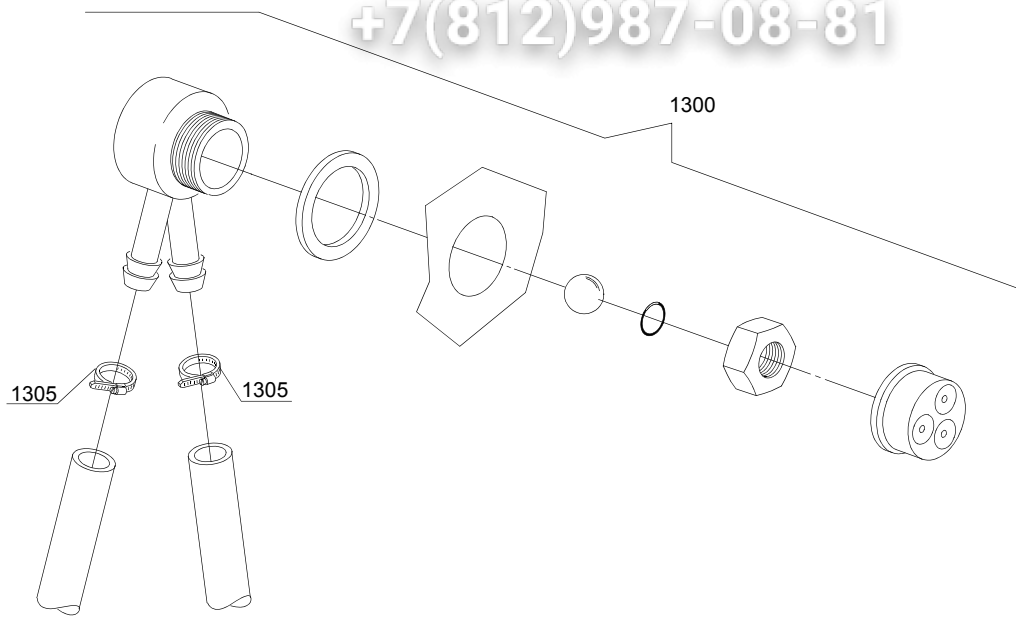
35ER=35ER

bp=BOOSTER PUMP, dvgw=DVGW, dd=DETERGENT DISPENCER, dp=DRAIN PUMP

A=3/N/PE~380-400V 50-60Hz, D=3/PE~200-210V 50-60Hz, F=2/PE~220-240V 50-60Hz, G=3/N/PE~415V 50-60Hz, H=3/PE~220-230V 50-60Hz, K=3/PE~380-400V 50-60Hz, L=3/PE~415V 50-60Hz, M=3/PE~440V 60Hz, P=1/N/PE~220-230V 50-60Hz, R=2/PE~220-240V 50-60Hz, U=1/N/PE~240V 50-60Hz, V=3/PE~240V 50-60Hz, W=1/N/PE~100-110V 50-60Hz

vsezip.ru

+7(812)987-08-81



08\_005\_e

| ID                  | P-code    | SN from | SN to | Mod | Acces | Volt | Description                    |
|---------------------|-----------|---------|-------|-----|-------|------|--------------------------------|
| <b>Module: DVGW</b> |           |         |       |     |       |      |                                |
| 1300                | 999900006 |         | -     |     | dvgw  |      | DVGW assembly                  |
| 1305                | 11807     |         | -     |     | dvgw  |      | 12/22 clamp (minimum 3 pieces) |

e=ELECTRONICAL SWITCHES, mc=SIMPLE BODY VERSION, uw=LOWER AND UPPER VERSION  
35ER=35ER

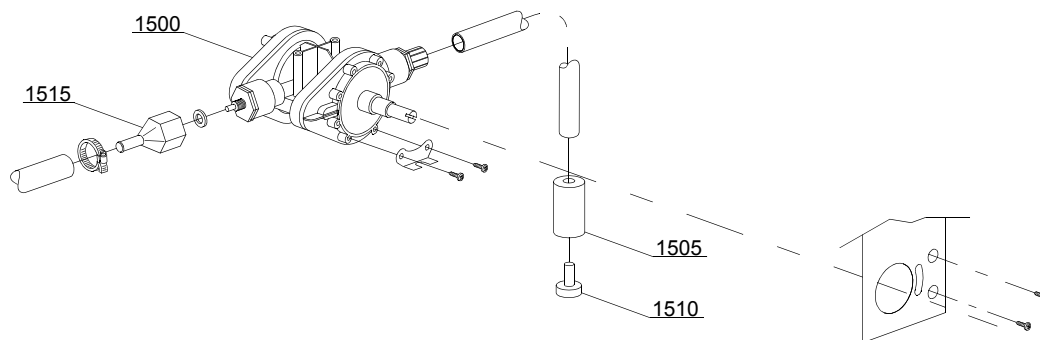
bp=BOOSTER PUMP, dvgw=DVGW, dd=DETERGENT DISPENCER, dp=DRAIN PUMP

A=3/N/PE~380-400V 50-60Hz, D=3/PE~200-210V 50-60Hz, F=2/PE~220-240V 50-60Hz, G=3/N/PE~415V 50-60Hz,  
H=3/PE~220-230V 50-60Hz, K=3/PE~380-400V 50-60Hz, L=3/PE~415V 50-60Hz, M=3/PE~440V 60Hz, P=1/N/PE~220-  
230V 50-60Hz, R=2/PE~220-240V 50-60Hz, U=1/N/PE~240V 50-60Hz, V=3/PE~240V 50-60Hz, W=1/N/PE~100-110V  
50-60Hz

vsezip.ru

+7(812)987-08-81

10\_002\_e



vsezip.ru

| ID                                       | P-code  | SN from | SN to | Mod. | Acces. | Volt | Description                       |
|--|---------|---------|-------|------|--------|------|-----------------------------------|
| <b>Module: Rinse aid dispenser group</b> |         |         |       |      |        |      |                                   |
| 1500                                     | 10798   |         | -     |      |        |      | Rinse dosing device               |
| 1505                                     | 12525   |         | -     |      |        |      | Counter-weight                    |
| 1510                                     | 15058   |         | -     |      |        |      | Suction filter (minimum 3 pieces) |
| 1515                                     | 10798/B |         | -     |      |        |      | Brass pipe fitting                |

e=ELECTRONICAL SWITCHES, mc=SIMPLE BODY VERSION, uw=LOWER AND UPPER VERSION

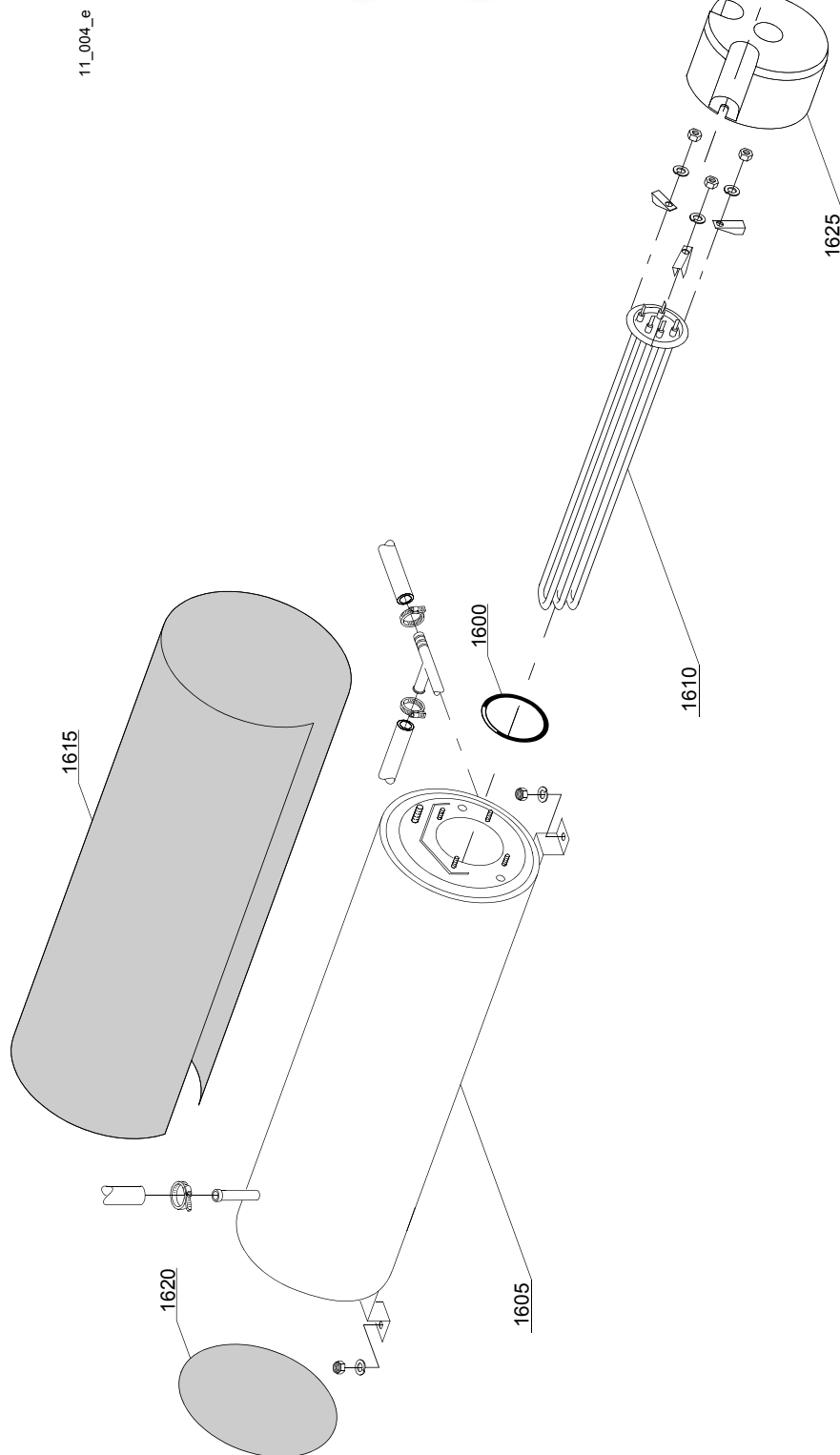
35ER=35ER

bp=BOOSTER PUMP, dvgw=DVGW, dd=DETERGENT DISPENCER, dp=DRAIN PUMP

A=3/N/PE~380-400V 50-60Hz, D=3/PE~200-210V 50-60Hz, F=2/PE~220-240V 50-60Hz, G=3/N/PE~415V 50-60Hz, H=3/PE~220-230V 50-60Hz, K=3/PE~380-400V 50-60Hz, L=3/PE~415V 50-60Hz, M=3/PE~440V 60Hz, P=1/N/PE~220-230V 50-60Hz, R=2/PE~220-240V 50-60Hz, U=1/N/PE~240V 50-60Hz, V=3/PE~240V 50-60Hz, W=1/N/PE~100-110V 50-60Hz

vsezip.ru

+7(812)987-08-81





vsezip.ru

| ID                         | P-code   | SN from | SN to | Mod | Acces. | Volt                    | Description                        |
|----------------------------|----------|---------|-------|-----|--------|-------------------------|------------------------------------|
| <b>Module:Boiler group</b> |          |         |       |     |        |                         |                                    |
| 1600                       | 13015    |         | -     |     |        |                         | Gasket OR 6225 (minimum 5 pieces)  |
| 1605                       | 89005    |         | -     |     |        |                         | Boiler                             |
| 1610                       | 30001011 |         | -     |     |        | A,F,G,H,K,L,P,R,<br>U,V | Heating element 9/9,8KW 230/240V 3 |
| 1615                       | 30002030 |         | -     |     |        |                         | Insulation boiler                  |
| 1620                       | 75205    |         | -     |     |        |                         | Ø160 end piece (minimum 2 pieces)  |
| 1625                       | 75311    |         | -     |     |        |                         | Casing                             |

e=ELECTRONICAL SWITCHES, mc=SIMPLE BODY VERSION, uw=LOWER AND UPPER VERSION

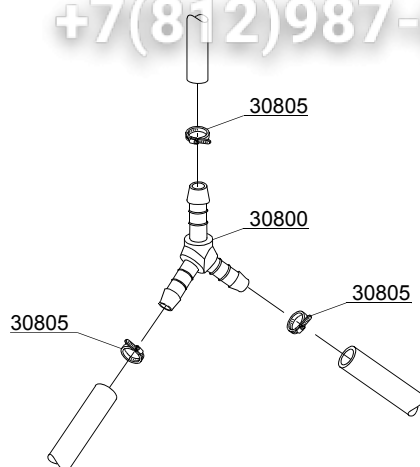
35ER=35ER

bp=BOOSTER PUMP, dvgw=DVGW, dd=DETERGENT DISPENCER, dp=DRAIN PUMP

A=3/N/PE~380-400V 50-60Hz, D=3/PE~200-210V 50-60Hz, F=2/PE~220-240V 50-60Hz, G=3/N/PE~415V 50-60Hz,  
H=3/PE~220-230V 50-60Hz, K=3/PE~380-400V 50-60Hz, L=3/PE~415V 50-60Hz, M=3/PE~440V 60Hz, P=1/N/PE~220-  
230V 50-60Hz, R=2/PE~220-240V 50-60Hz, U=1/N/PE~240V 50-60Hz, V=3/PE~240V 50-60Hz, W=1/N/PE~100-110V  
50-60Hz

vsezip.ru

+7(812)987-08-81



12\_003ae

vsezip.ru

| ID                              | P-code | SN from | SN to | Mod. | Acces. | Volt | Description                      |
|---------------------------------|--------|---------|-------|------|--------|------|----------------------------------|
| <b>Module:3 ways connection</b> |        |         |       |      |        |      |                                  |
| 30800                           | 540091 |         | -     |      |        |      | Ø12 mm plastic 3 ways connection |
| 30805                           | 11807  |         | -     |      |        |      | Clamp 12-22 (minimum 3 pieces)   |

e=ELECTRONICAL SWITCHES, mc=SIMPLE BODY VERSION, uw=LOWER AND UPPER VERSION

35ER=35ER

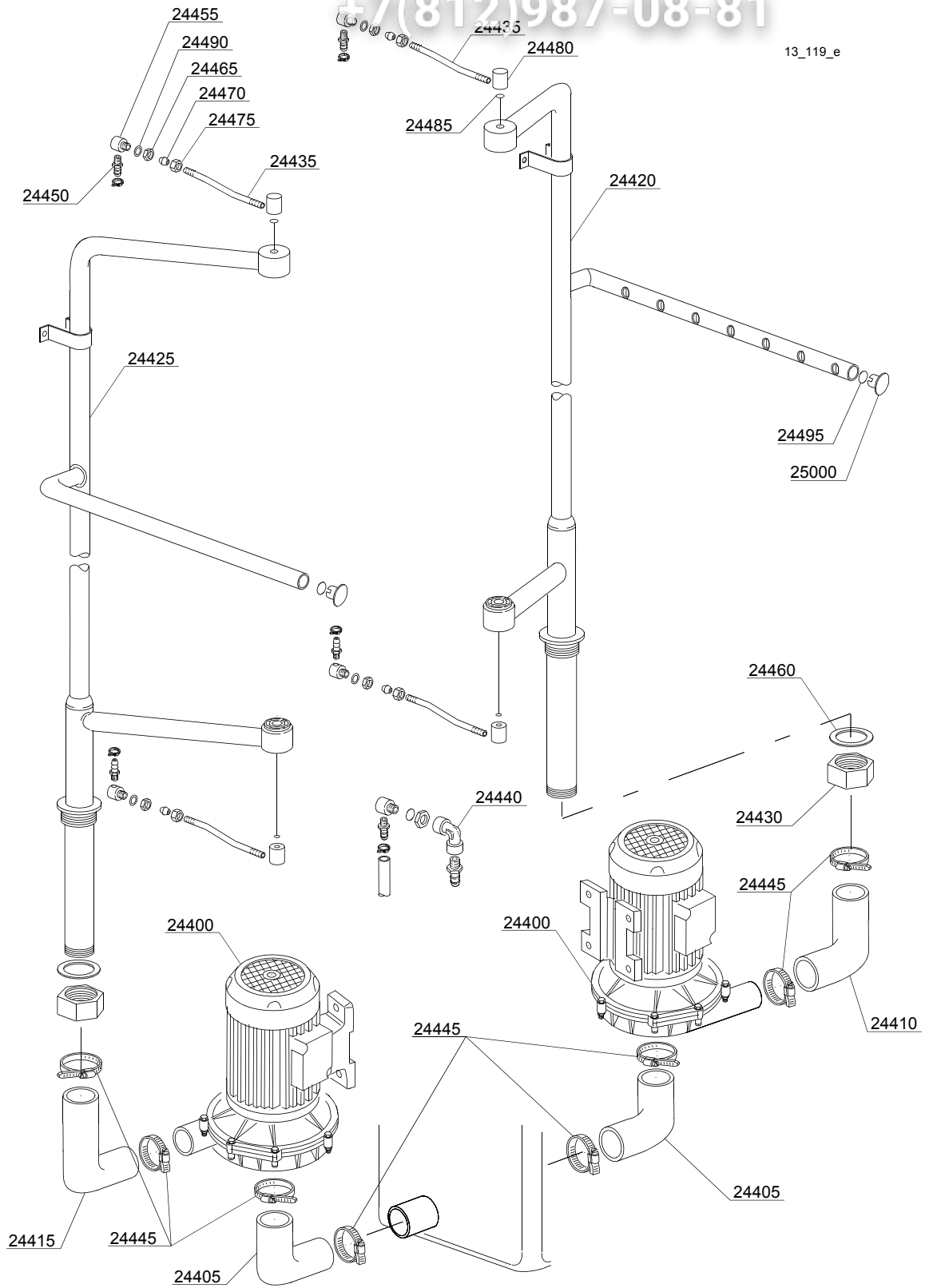
bp=BOOSTER PUMP, dvgw=DVGW, dd=DETERGENT DISPENCER, dp=DRAIN PUMP

A=3/N/PE~380-400V 50-60Hz, D=3/PE~200-210V 50-60Hz, F=2/PE~220-240V 50-60Hz, G=3/N/PE~415V 50-60Hz, H=3/PE~220-230V 50-60Hz, K=3/PE~380-400V 50-60Hz, L=3/PE~415V 50-60Hz, M=3/PE~440V 60Hz, P=1/N/PE~220-230V 50-60Hz, R=2/PE~220-240V 50-60Hz, U=1/N/PE~240V 50-60Hz, V=3/PE~240V 50-60Hz, W=1/N/PE~100-110V 50-60Hz

vsezip.ru

+7(812)987-08-81

13\_119\_e



vsezip.ru

| ID                       | P-code     | SN from | SN to | Mod. | Acces. | Volt                    | Description                            |
|--------------------------|------------|---------|-------|------|--------|-------------------------|--|
| <b>Module: Wash pump</b> |            |         |       |      |        |                         |  |
| 24400                    | 80912      |         | -     | uw   |        | A,F,G,H,K,<br>L,P,R,U,V | Pump 3,6HP/2,7kW 50Hz                  |
| 24405                    | 3002020    |         | -     | uw   |        |                         | Suction elbow                          |
| 24410                    | 10200124/A |         | -     | uw   |        |                         | Pressure elbow, right                  |
| 24415                    | 550221     |         | -     | uw   |        |                         | Left top delivery pipe                 |
| 24420                    | 89001      |         | -     | uw   |        |                         | Washpipe, right                        |
| 24425                    | 89002      |         | -     | uw   |        |                         | Washpipe, left                         |
| 24430                    | 88127      |         | -     | uw   |        |                         | Ramp fixing nut                        |
| 24435                    | 89004      |         | -     | uw   |        |                         | Rinsing pipe                           |
| 24440                    | 12018      |         | -     | uw   |        |                         | Elbow fitting 3/8 F-F                  |
| 24445                    | 2902491    |         | -     | uw   |        |                         | 60-80 clamp (minimum 2 pieces)         |
| 24450                    | 12005      |         | -     | uw   |        |                         | Rubber holder ¼                        |
| 24455                    | 80231      |         | -     | uw   |        |                         | Pipe fitting                           |
| 24460                    | 10200173/A |         | -     | uw   |        |                         | O-ring 75x58x3 (minimum 2 pieces)      |
| 24465                    | 10200101   |         | -     | uw   |        |                         | Nut                                    |
| 24470                    | 10200182   |         | -     | uw   |        |                         | Cone (minimum 3 pieces)                |
| 24475                    | 10600016   |         | -     | uw   |        |                         | Nut                                    |
| 24480                    | 10600202   |         | -     | uw   |        |                         | Coupling                               |
| 24485                    | 13009      |         | -     | uw   |        |                         | OR 2050 NBR O-ring (minimum 40 pieces) |
| 24490                    | 10200171   |         | -     | uw   |        |                         | Gasket 17x25x2 (minimum 10 pieces)     |

e=ELECTRONICAL SWITCHES, mc=SIMPLE BODY VERSION, uw=LOWER AND UPPER VERSION

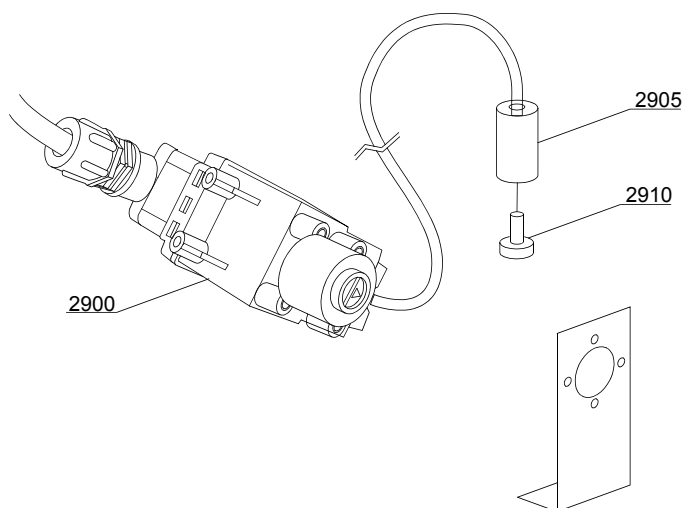
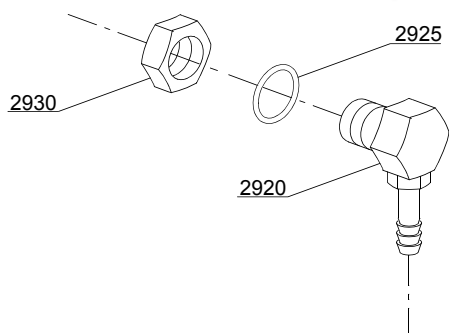
35ER=35ER

bp=BOOSTER PUMP, dvgw=DVGW, dd=DETERGENT DISPENCER, dp=DRAIN PUMP

A=3/N/PE~380-400V 50-60Hz, D=3/PE~200-210V 50-60Hz, F=2/PE~220-240V 50-60Hz, G=3/N/PE~415V 50-60Hz, H=3/PE~220-230V 50-60Hz, K=3/PE~380-400V 50-60Hz, L=3/PE~415V 50-60Hz, M=3/PE~440V 60Hz, P=1/N/PE~220-230V 50-60Hz, R=2/PE~220-240V 50-60Hz, U=1/N/PE~240V 50-60Hz, V=3/PE~240V 50-60Hz, W=1/N/PE~100-110V 50-60Hz

vsezip.ru

+7(812)987-08-81 14\_002\_e



| ID                                   | P-code   | SN from | SN to | Mod. | Acces. | Volt | Description                       |
|--------------------------------------|----------|---------|-------|------|--------|------|-----------------------------------|
| <b>Module:Dosing detergent group</b> |          |         |       |      |        |      |                                   |
| 2900                                 | 15108/L  |         | -     |      | dd     |      | Lang detergent pump               |
| 2905                                 | 12525    |         | -     |      | dd     |      | Counter-weight                    |
| 2910                                 | 15058    |         | -     |      | dd     |      | Suction filter (minimum 3 pieces) |
| 2920                                 | 15123    |         | -     |      | dd     |      | Steel injector                    |
| 2925                                 | 15159    |         | -     |      | dd     |      | OR O-ring (minimum 2 pieces)      |
| 2930                                 | 10200205 |         | -     |      | dd     |      | Nut m12x1 (minimum 2 pieces)      |

e=ELECTRONICAL SWITCHES, mc=SIMPLE BODY VERSION, uw=LOWER AND UPPER VERSION

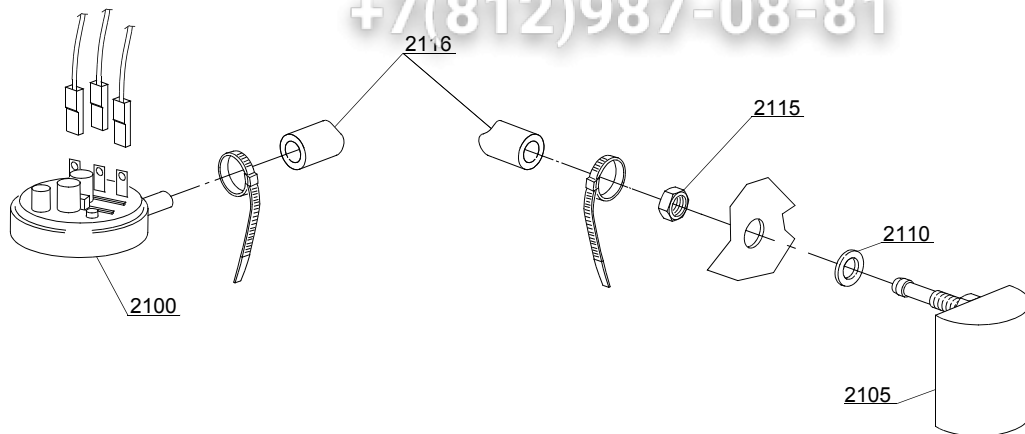
35ER=35ER

bp=BOOSTER PUMP, dvgw=DVGW, dd=DETERGENT DISPENCER, dp=DRAIN PUMP

A=3/N/PE~380-400V 50-60Hz, D=3/PE~200-210V 50-60Hz, F=2/PE~220-240V 50-60Hz, G=3/N/PE~415V 50-60Hz, H=3/PE~220-230V 50-60Hz, K=3/PE~380-400V 50-60Hz, L=3/PE~415V 50-60Hz, M=3/PE~440V 60Hz, P=1/N/PE~220-230V 50-60Hz, R=2/PE~220-240V 50-60Hz, U=1/N/PE~240V 50-60Hz, V=3/PE~240V 50-60Hz, W=1/N/PE~100-110V 50-60Hz

vsezip.ru

+7(812)987-08-81



16\_001\_e



| ID   | P-code | SN from | SN to | Mod. | Acces. | Volt | Description                         |
|--|--------|---------|-------|------|--------|------|-------------------------------------|
| <b>Module: Pressure switch group with air trap</b> |        |         |       |      |        |      |                                     |
| 2100   | 88110  |         | -     |      |        |      | Pressure switch                     |
| 2105   | 80106  |         | -     |      |        |      | Air trap                            |
| 2110   | 13301  |         | -     |      |        |      | Gasket 14x8x1,5 (minimum 10 pieces) |
| 2115   | 11702  |         | -     |      |        |      | Nut M8 (minimum 10 pieces)          |
| 2116   | 14508  |         | -     |      |        |      | Pressure tube EPDM 4,5x9            |

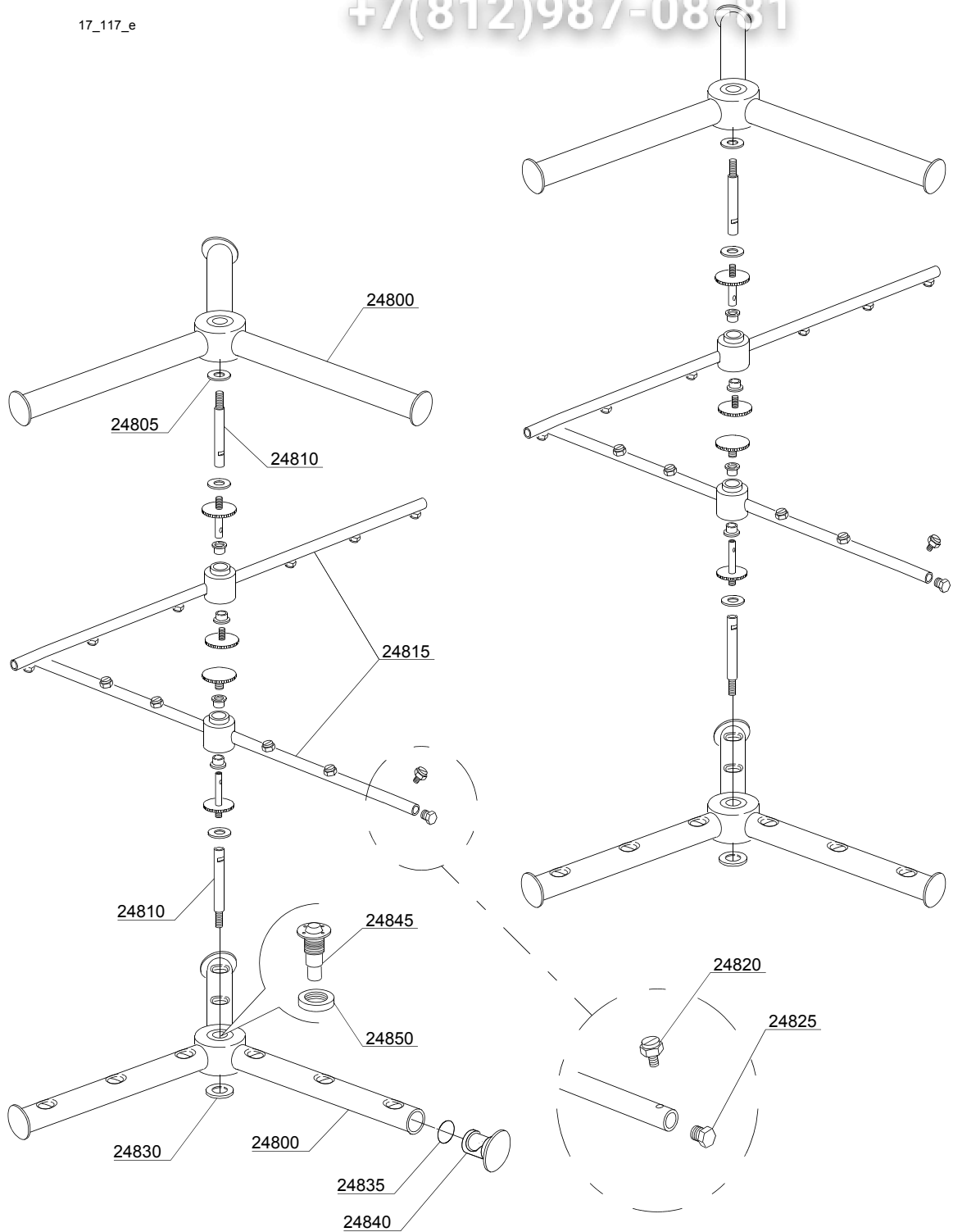
e=ELECTRONICAL SWITCHES, mc=SIMPLE BODY VERSION, uw=LOWER AND UPPER VERSION

35ER=35ER

bp=BOOSTER PUMP, dvgw=DVGW, dd=DETERGENT DISPENCER, dp=DRAIN PUMP

A=3/N/PE~380-400V 50-60Hz, D=3/PE~200-210V 50-60Hz, F=2/PE~220-240V 50-60Hz, G=3/N/PE~415V 50-60Hz, H=3/PE~220-230V 50-60Hz, K=3/PE~380-400V 50-60Hz, L=3/PE~415V 50-60Hz, M=3/PE~440V 60Hz, P=1/N/PE~220-230V 50-60Hz, R=2/PE~220-240V 50-60Hz, U=1/N/PE~240V 50-60Hz, V=3/PE~240V 50-60Hz, W=1/N/PE~100-110V 50-60Hz

17\_117\_e



| ID  | P-code   | SN from | SN to | Mod. | Acces | Volt | Description                                  |
|---|----------|---------|-------|------|-------|------|--|
| <b>Module:Turret group with rotating arms</b> |          |         |       |      |       |      |  |
| 24800   | 90004    |         | -     | uw   |       |      | Upper/lower complet wash rotor               |
| 24805   | 13009    |         | -     | uw   |       |      | OR 2050 NBR O-ring (minimum 40 pieces)       |
| 24810   | 80321    |         | -     | uw   |       |      | Top shaft                                    |
| 24815   | 90003    |         | -     | uw   |       |      | Rinse group                                  |
| 24820   | 560018   |         | -     | uw   |       |      | Stainless steel rinse nozzle                 |
| 24825   | 560017   |         | -     | uw   |       |      | Rinse arm plug                               |
| 24830   | 11600033 |         | -     | uw   |       |      | Flow reduction ring                          |
| 24835   | 13023    |         | -     | uw   |       |      | OR 131 (4093) NBR O-ring (minimum 10 pieces) |
| 24840   | 3003029  |         | -     | uw   |       |      | Plug   |
| 24845   | 88975    |         | -     | uw   |       |      | Hub for rotor                                |
| 24850   | 75317    |         | -     | uw   |       |      | Nut for wash arm bearing                     |

e=ELECTRONICAL SWITCHES, mc=SIMPLE BODY VERSION, uw=LOWER AND UPPER VERSION

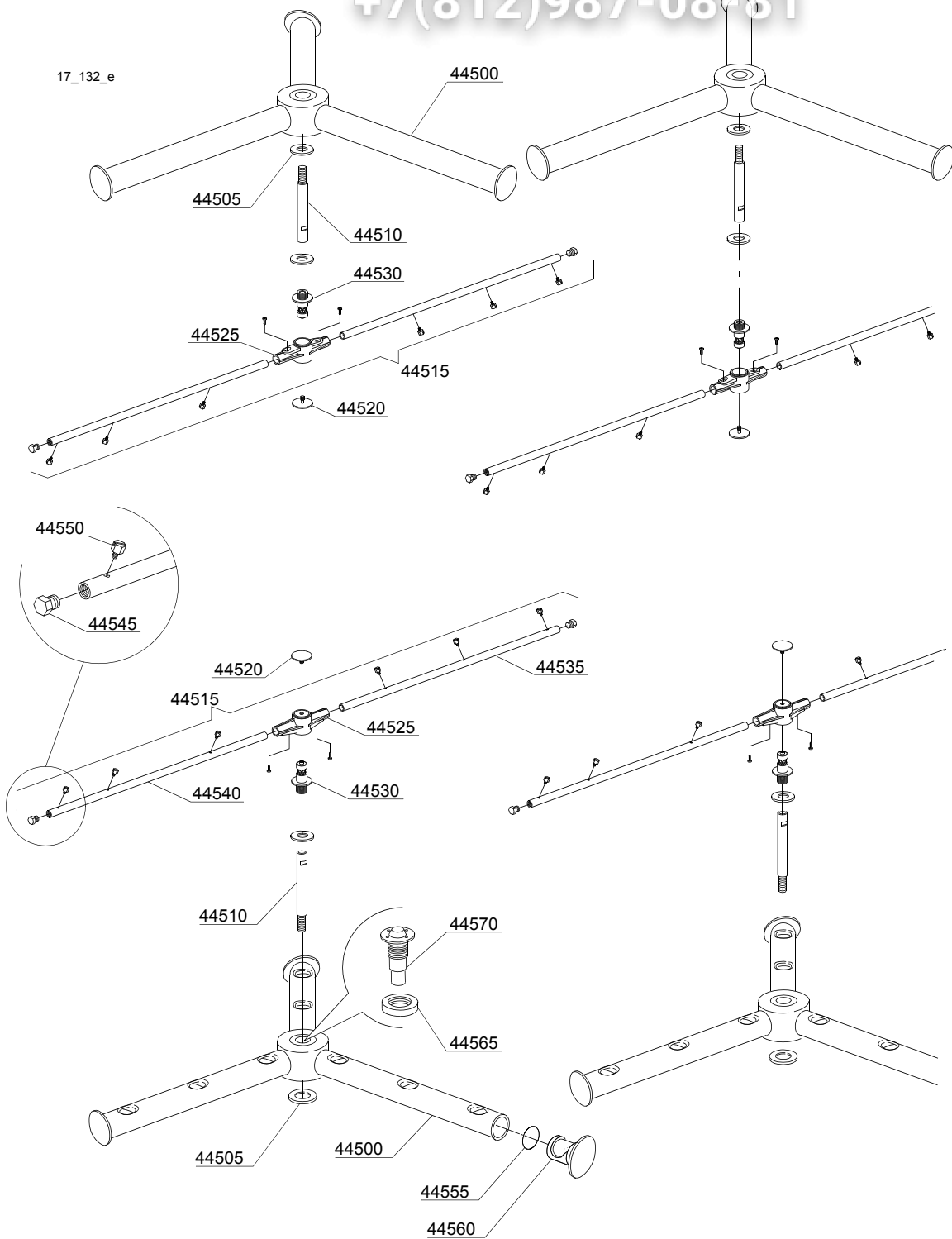
35ER=35ER

bp=BOOSTER PUMP, dvgw=DVGW, dd=DETERGENT DISPENCER, dp=DRAIN PUMP

A=3/N/PE~380-400V 50-60Hz, D=3/PE~200-210V 50-60Hz, F=2/PE~220-240V 50-60Hz, G=3/N/PE~415V 50-60Hz, H=3/PE~220-230V 50-60Hz, K=3/PE~380-400V 50-60Hz, L=3/PE~415V 50-60Hz, M=3/PE~440V 60Hz, P=1/N/PE~220-230V 50-60Hz, R=2/PE~220-240V 50-60Hz, U=1/N/PE~240V 50-60Hz, V=3/PE~240V 50-60Hz, W=1/N/PE~100-110V 50-60Hz

vsezip.ru

+7(812)987-08 81



| ID  | P-code  | SN from | SN to | Mod. | Acces. | Volt | Description  |
|---|---------|---------|-------|------|--------|------|--|
| <b>Module:Turret group with rotating arms</b> |         |         |       |      |        |      |  |
| 44500   | 90004   |         | -     | uw   |        |      | Upper/lower complet wash rotor                         |
| 44505   | 13009   |         | -     | uw   |        |      | OR 2050 NBR O-ring (minimum 40 pieces)                 |
| 44510   | 80321   |         | -     | uw   |        |      | Top shaft  |
| 44515   | 90003   |         | -     | uw   |        |      | Rinse group  |
| 44520   | 10652   |         | -     | uw   |        |      | Rinse arm screw  |
| 44525   | 10650   |         | -     | uw   |        |      | Rinse arm  |
| 44530   | 10651   |         | -     | uw   |        |      | Rinse axle   |
| 44535   | 10659   |         | -     | uw   |        |      | Right rinse arm - stainless steel nozzle               |
| 44540   | 10660   |         | -     | uw   |        |      | Left rinse arm - stainless steel nozzle                |
| 44545   | 560017  |         | -     | uw   |        |      | Rinse arm plug   |
| 44550   | 560018  |         | -     | uw   |        |      | Stanless steel rinse nozzle                            |
| 44555   | 13023   |         | -     | uw   |        |      | OR 131 (4093) O-ring (minimum 10 pieces <sup>9</sup> ) |
| 44560   | 3003029 |         | -     | uw   |        |      | Plug   |
| 44565   | 75317   |         | -     | uw   |        |      | Nut for wash arm bearing                               |
| 44570   | 88975   |         | -     | uw   |        |      | Hub for rotor  |

e=ELECTRONICAL SWITCHES, mc=SIMPLE BODY VERSION, uw=LOWER AND UPPER VERSION  
35ER=35ER

bp=BOOSTER PUMP, dvgw=DVGW, dd=DETERGENT DISPENCER, dp=DRAIN PUMP

A=3/N/PE~380-400V 50-60Hz, D=3/PE~200-210V 50-60Hz, F=2/PE~220-240V 50-60Hz, G=3/N/PE~415V 50-60Hz,  
H=3/PE~220-230V 50-60Hz, K=3/PE~380-400V 50-60Hz, L=3/PE~415V 50-60Hz, M=3/PE~440V 60Hz, P=1/N/PE~220-  
230V 50-60Hz, R=2/PE~220-240V 50-60Hz, U=1/N/PE~240V 50-60Hz, V=3/PE~240V 50-60Hz, W=1/N/PE~100-110V  
50-60Hz