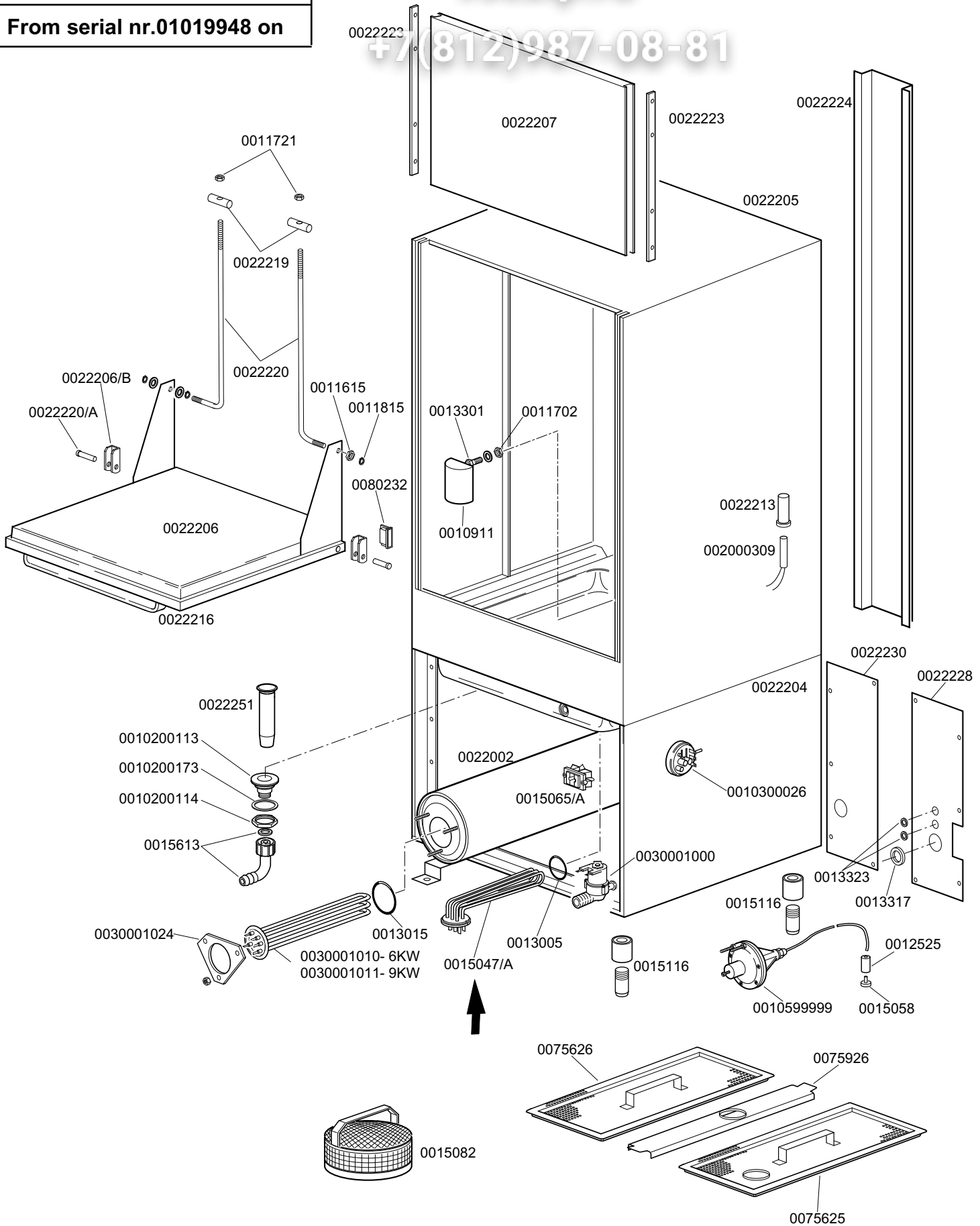


KROMO**TABLE
KI1610****REV
04****DISHWASHER KP 150****From serial nr.01019948 on**

Зип Общепит

vsezip.ru

+7(812)987-08-81



CODE	DESCRIPTION	CODE	DESCRIPTION
0010200113	Floor drain		
0010200114	Drain pipe fitting nut		
0010200173	75x58x2 gasket		
0010300026	Pressure switch		
0010599999	Shining product dosing device		
0010911	Air trap		
0011615	M8 stainless steel washer		
0011702	M8 stainless steel nut		
0011721	M6 stainless steel nut		
0011815	8 diam. stainless steel shaft clasp		
0012525	Counter-weight for small filter		
0013005	OR 151 EPDM for heating element		
0013015	Boiler heating element OR gasket		
0013301	14x8x1.5 d. gasket		
0013317	40 d. rubber cable-pass		
0013323	13 d. rubber cable-pass		
0015047/A	2.7kW 230V Tank heating element		
0015058	Small shining product suction filter		
0015065/A	4228B cable fastener with screw		
0015116	H. 110 complete 2" small foot		
0015613	1"1/4 x30 nylon elbow		
0015082	Complete filter D.190		
002000309	Reed economiser		
0022002	140x490 1000 boiler		
0022204	Base KP150		
0022205	Body KP 150		
0022206	Lower door KP 150		
0022206/B	Hinge door KP 150		
0022207	Top door KP 150		
0022213	Reed holder pipe		
0022216	Neutral stainless steel door		
0022219	Set of small cylinders for door		
0022220	Set of rods + tie rods for door		
0022220/A	Inox pin for door		
0022223	Top door guide		
0022224	KP150 rear panel		
0022228	Right rear guard		
0022230	Left rear guard		
0022251	Overflow device		
0030001000	Single solenoid valve		
0030001010	6kw boiler heating element		
0030001011	9kw boiler heating element		
0030001024	Flange for resistance 6/9		
0075625	Filter with hole		
0075626	Filter without hole		
0075926	Axis double filter holder		
0080232	Magnet for reed		

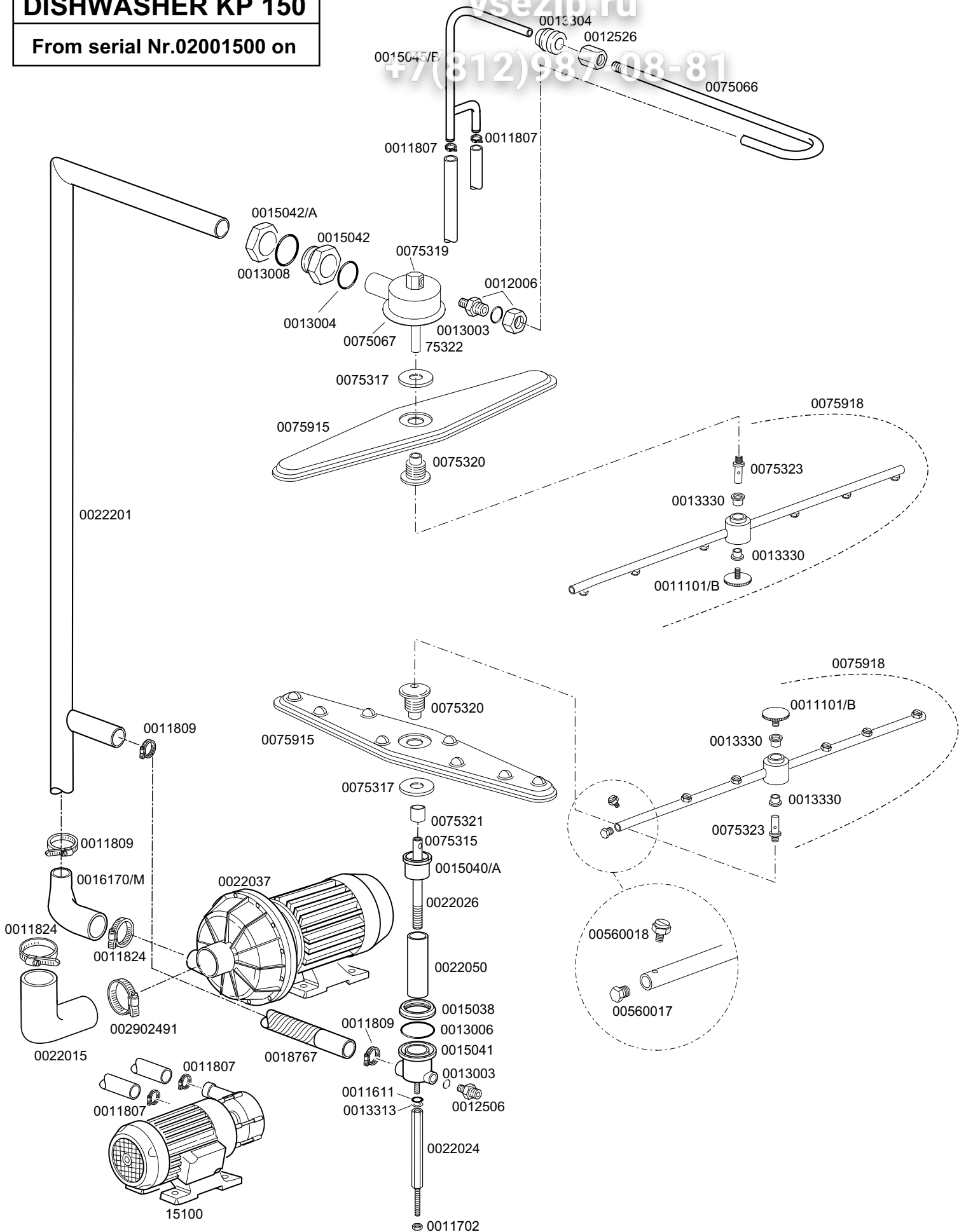
KROMO**TABLE
KI1630****REV
04****Зип Общепит**

vsezip.ru

+7(812)987-08-81

DISHWASHER KP 150

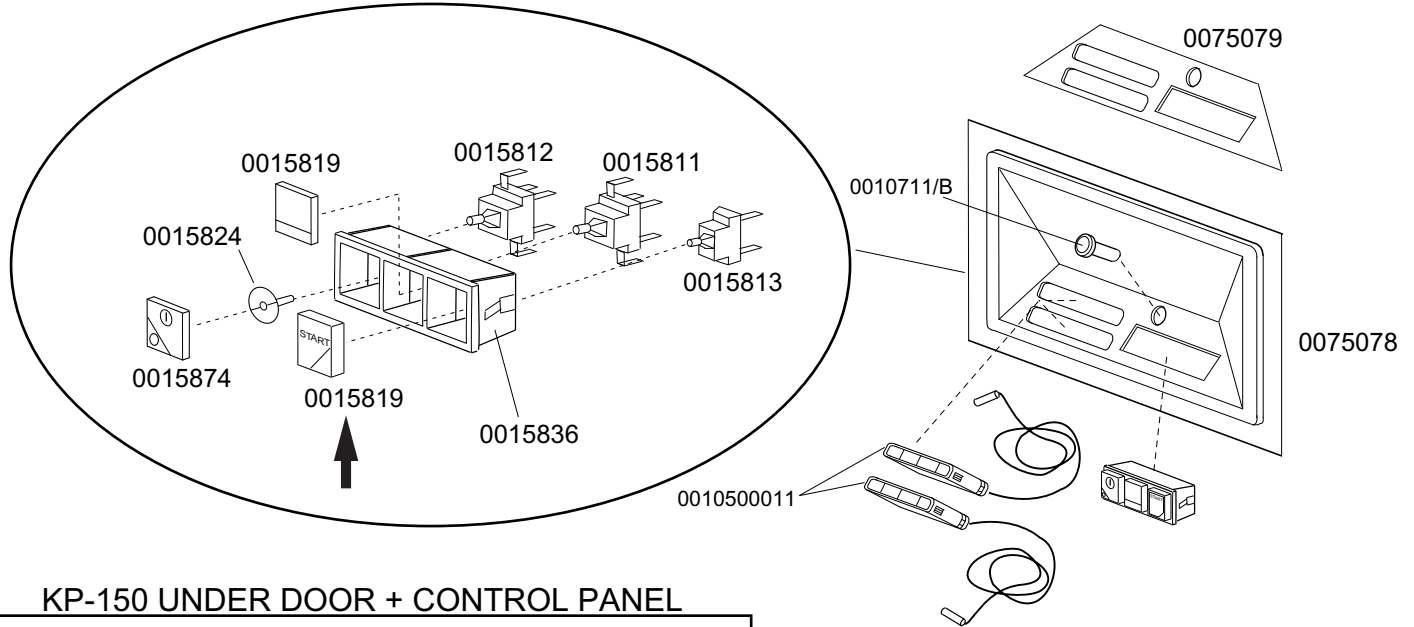
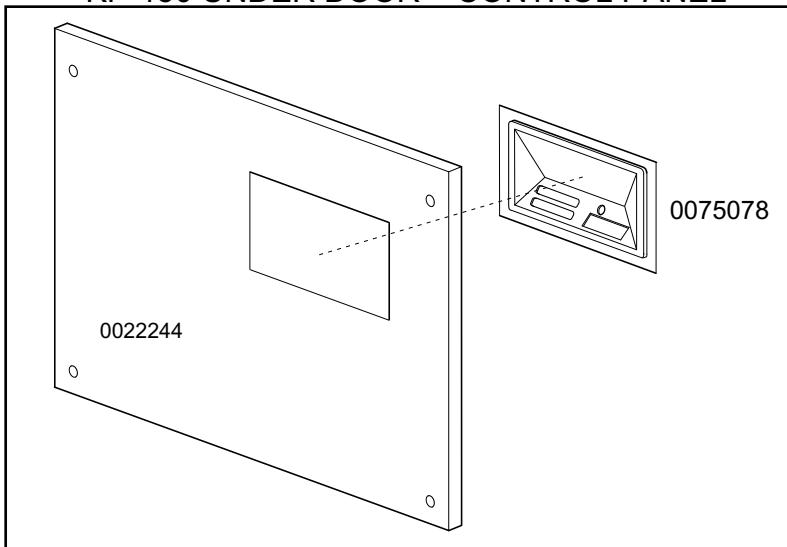
From serial Nr.02001500 on



DISHWASHER KP 150

(812) 987-08-81

CODE	DESCRIPTION	CODE	DESCRIPTION
0011611	M8 stainless steel plat sliding		
→ 0011101/B	Knurled group screw M8x35 (Aisi 303)		
0011702	M8 stainless steel nut		
0011807	12/20 stainless steel clamps		
0011809	430 AISI stainless steel 32-50 clamps		
0011824	50-70 clamp		
0012006	Complete 10 diam. rinse pipe fitting		
0012506	10x17 rubber holder pipe		
0012528	Complete rinse nozzle		
0013003	OR 112 EP for rinse pipe fitting		
0013004	OR 3137 EPDM for 35 diam. wash pipe		
0013006	OR 3156 EPDM x lower wash distribution		
0013008	OR 147 EPDM		
0013313	8x15x2 D. gasket		
0013319	PTFE+CB H11,5 sliding washer		
→ 0013330	Sliding washer PTFE+CB		
0015038	Lower wash connection ferrule		
→ 0015040/A	Lower washer glass		
0015042	1"1/4 complete gas ferrule		
0015042/A	1" 1/4 nut		
0015045/B	3 way complete pipe rinse		
0015100	Pressure increase pump		
0016170/M	50/30 coupling		
0018767	30.310 flex rony coupling		
0022015	1000 type suction coupling		
0022024	Lower tie rod		
0022026	Lower rinse extension cord type 1000		
0022037	Washing pump HP 2.0 1226 "L" 220/380/50		
0022050	35x135 d. stainless steel coupling		
0022201	Wash ramp		
002902491	60-80 clamp		
00560017	Cover for rinse arm M9x1		
00560018	Stainless steel rinse jet M5		
→ 0075066	Complete rinse pipe		
→ 0075067	Top glass wash-rinse		
→ 0075315	Axis for rinde axle		
→ 0075317	Nut for wash arm hub		
→ 0075319	Rinsing elbow		
→ 0075320	Hub for wash arm		
→ 0075321	Spacer		
→ 0075322	Extension rinse axis		
→ 0075323	Reinse axis		
→ 0075915	Wash arm		
→ 0075918	Rinse group		

KROMO**TABLE
KI1640****REV
04****DISHWASHER KP 150/151****From serial Nr.01004921 on****Зип Общепит****vsezip.ru****+7(812)987-08-81****KP-150 UNDER DOOR + CONTROL PANEL****KP-151 UNDER DOOR + CONTROL PANEL**