

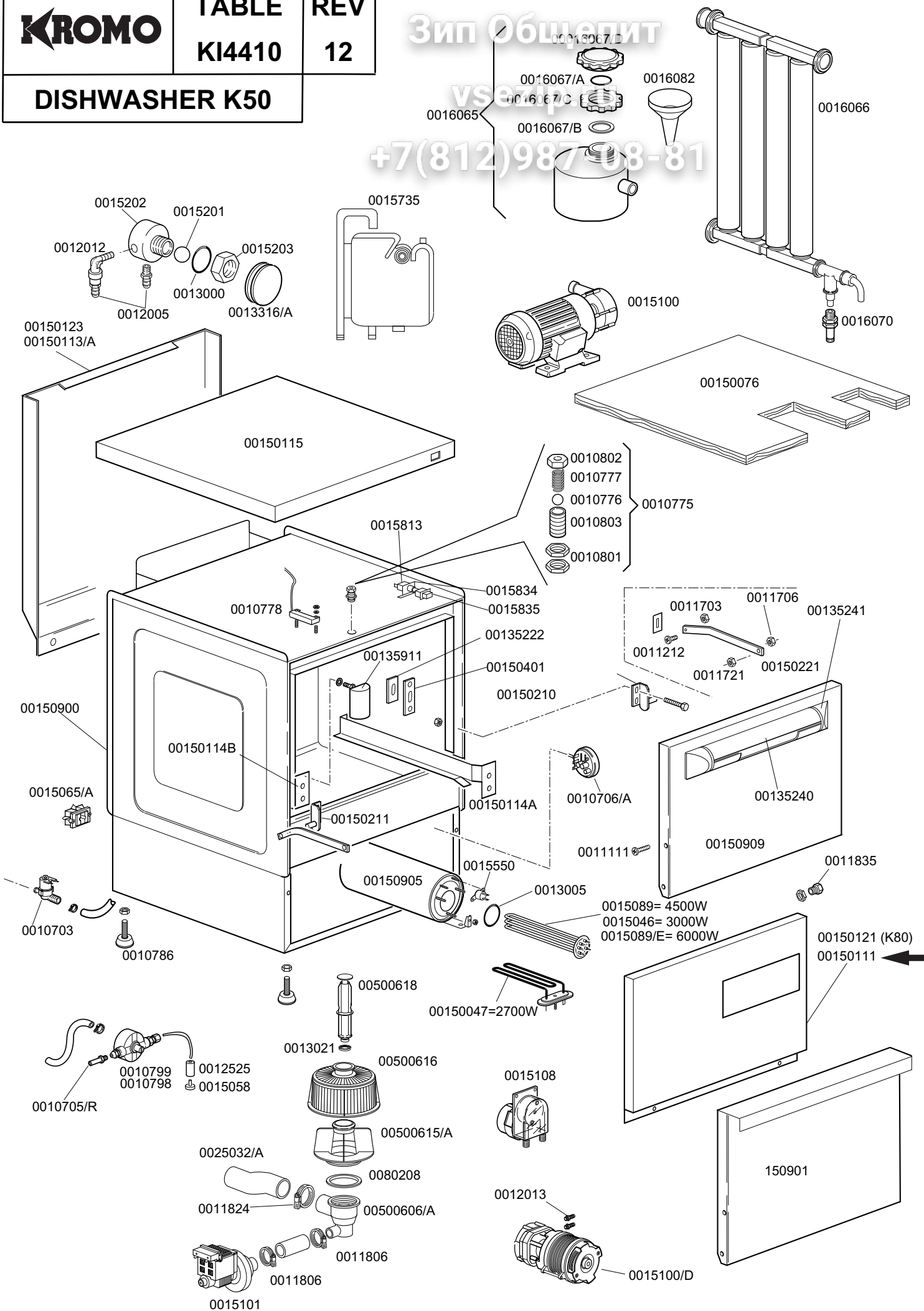
KROMO

TABLE
KI4410

REV
12

DISHWASHER K50

Зип Общедит
vsezip.ru
+7(812)987-08-81



DISHWASHER K50

Зип Общепит

TABLE
KI4410

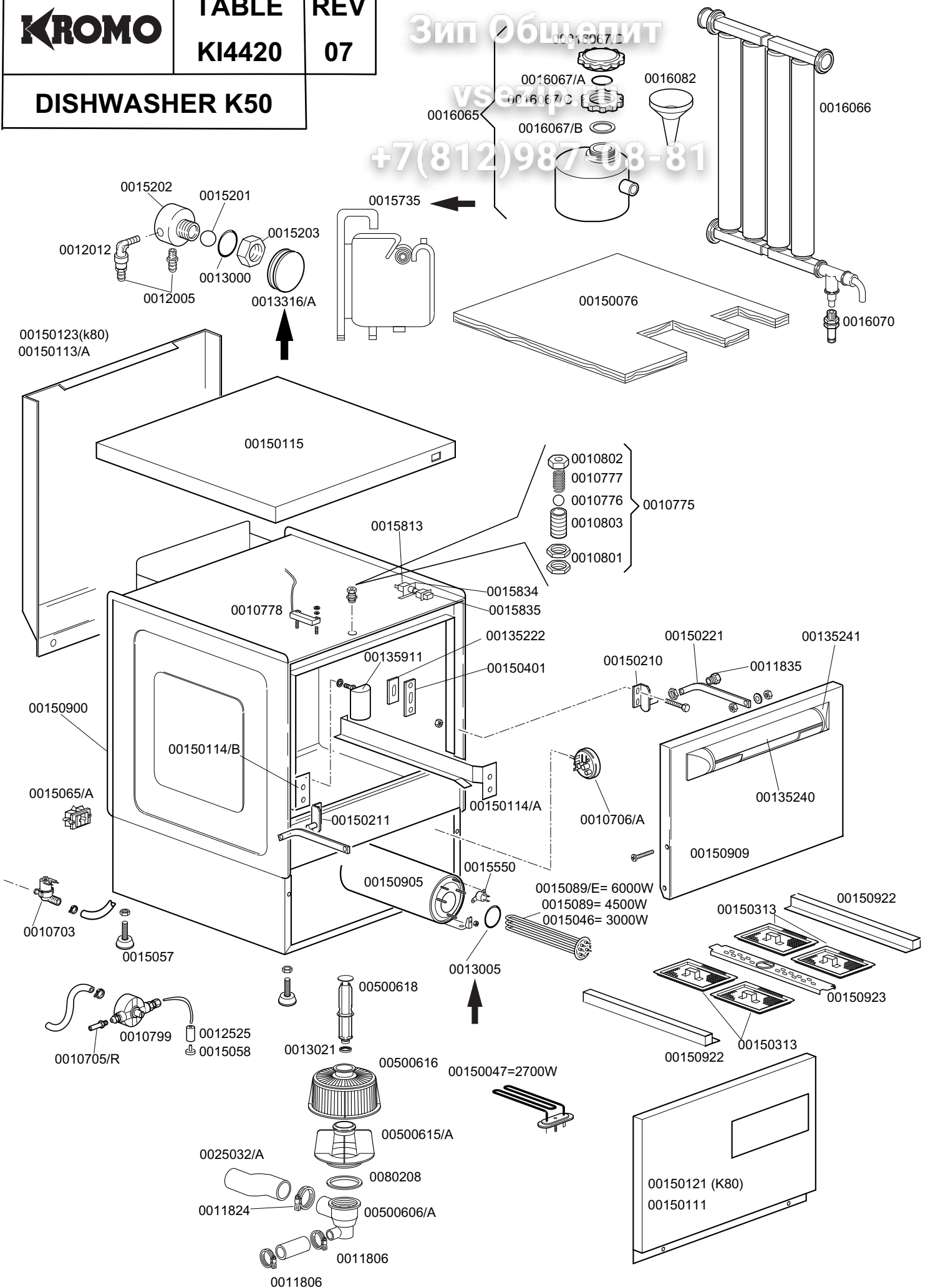
CODE	DESCRIPTION	DESCRIPTION
0010703	220v entry solenoid valve	0015550 Conveyor safety thermostat
0010705/R	8d. pipe fitting	0013316/A Closed gasket for DVGW hole
0010706/A	EL pressure switch	0015735 2.7 l break tank
0010775	Brass door hook	0015813 16A unipolar switch elec.component
0010776	D. 9.52 stainless steel ball	0015834 Start switch
0010777	Spring for door hook	0015835 Square start push button
0010778	Reed magnetic microswitch	0016065 Salt container
0010799	Shinig product dosing device 1000	0016066 1 liter 4 element decalcifier
0010801	Door jack nut	0016067/A OR for salt container plug
0010802	Door jack locknut	0016067/B Salt container gasket
0010803	Door jack body	0016067/C Salt container ferrule
0011111	Stainless steel M6x16	0016067/D Salt container plug
0011212	Self locking screw 2,9x19 inox	0016070 Complete no-return valve
0011703	M4 inox nut screw	0016082 Funnel
0011706	M6 inox nut screw	0025032/A Coupling for suction K50
0011721	Self locking inox nut M6	00500606/A Right floor drain grey
0011806	25/40 stainless steel clamps	00500615/A Ferrule with filter - grey
0011824	50/70 clamps	00500616 Filter for suction
0011835	Brass bush	00500618 Overflow device
0012005	1/4 rubber-holder for 10 d. pipe	0080208 Ramp seal 95x75x3
0012012	Elbow pipe fittin 1/4 brass	0015100/D Booster pump 220/240 50Hz
0012525	Counter-weight for small filter	0012013 Rubber holder 3/8 M 10/17
0013005	OR 151 EPDM for heating element	0010798 Shining product dosing device lang
0013021	DEM 40 gasket	00150901 Hangle inox door
00135222	Beating door	
00135240	Handle door in plastic	
00135241	Ending of handle K	
00135911	Complete air trap	
00150047	Tube al. resistance 2.7 KW 230v	
00150076	Polystirene coat K 50	
00150111	Lower door K 50	
00150113/A	Dorsal panel K 50	
00150114A	Right guide for basket	
00150114B	Left guide for basket	
00150115	Lid for K 50	
00150121	Lower door K 80	
00150123	Dorsal panel K 80	
00150210	Right hinge door	
00150211	Left hinge door	
00150221	Door rod 50	
00150401	Guide for bent rod	
0015046	3 Kw boiler heating element	
0010786	40 d. M10x25 small black foot	
0015058	Small shining product suction filter	
0015065/A	Cable fastener with screw	
0015089	4,5 Kw boiler heating element	
0015089/E	6 Kw boiler heating element	
00150900	Complete body K 50	
00150905	Boiler mod. 50	
00150909	Complete door K 50	
0015100	Booster pump	
0015101	220-240v drain pump	
0015108	Electrical dosing device	
0015201	17d. teflon DVGW safety sphere valve	
0015202	40x33 d. DVGW brass pipe fitting	
0015203	30 DVGW brass nut for pipe fitting	

KROMO**TABLE****KI4420****REV****07****DISHWASHER K50**

Зип Общедит

vsezip.ru

+7(812)98708-81



DISHWASHER K50-K80

Зип Общепит

TABLE
KI4420

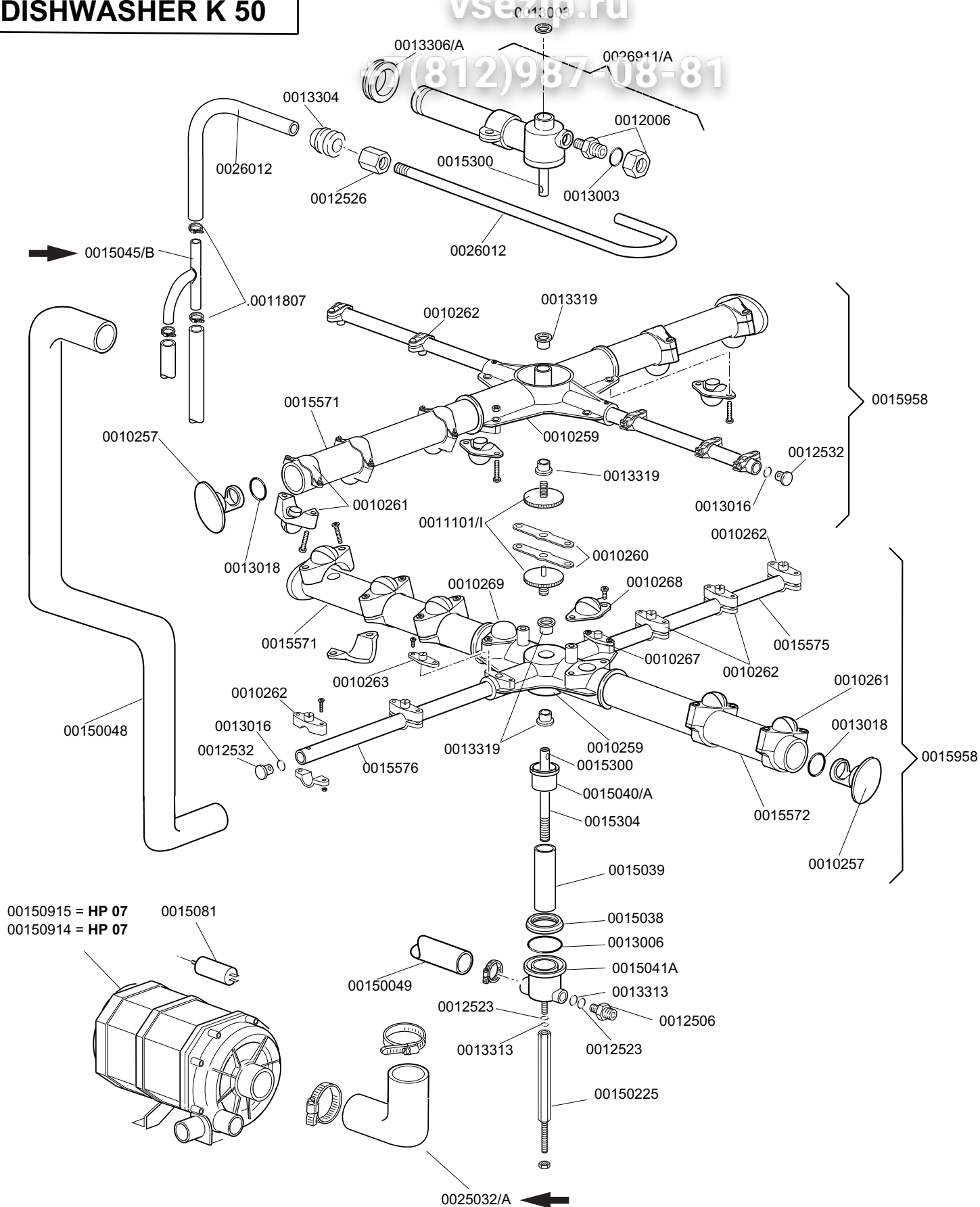
CODE	DESCRIPTION	CODE	DESCRIPTION
0010703	220v entry solenoid valve	0015835	Square start push button
0010705/R	8d. pipe fitting	0013316/A	Closed gasket for DVGW hole ←
0010706/A	EL pressure switch	0016065	Salt container
0010775	Brass door hook	0016066	Water softner 4 elements
0010776	D. 9.52 stainless steel ball	0016067/A	OR Gasket for salt container plug
0010777	Spring for door hook	0016067/B	Salt container gasket
0010778	Reed magnetic microswitch	0016067/C	Ring nut for salt container
0010799	Shinig product dosing device 1000	0016067/D	Salt container plug
0010801	Door jack nut	0016070	Check valve
0010802	Door jack locknut	0016082	Funnel
0010803	Door jack body	0025032/A	Coupling for suction K50
0011806	25/40 stainless steel clamps	00500606/A	Right floor drain grey
0011824	50/70 clamps	00500615/A	Ferrule with filter - grey
0011835	Brass bush	00500616	Filter for suction
0012005	1/4 rubber-holder for 10 d. pipe	00500618	Overflow device
0012012	Elbow pipe fittin 1/4 brass	0080208	Ramp seal 95x75x3
0012525	Counter-weight for small filter		
0013000	OR 3125 gasket		
0013005	OR heating element gasket		
0013021	DEM 40 gasket		
00135222	Beating door		
00135240	Handle door in plastic		
00135241	Ending of handle K		
00135911	Complete air trap		
00150047	Tube al. resistance 2.7 KW 230v		
00150076	Polystirene coat K 50		
00150111	Lower door K 50		
00150113/A	Back K50		
00150114A	Right guide for basket		
00150114B	Left guide for basket		
00150115	Lid		
00150121	Lower door K 80		
00150123	Back K80		
00150210	Right hinge door		
00150211	Left hinge door		
00150221	Door rod 50		
00150313	K50 single net filter		
00150401	Guide for bent rod		
0015046	3 Kw boiler heating element		
0015057	50 d. M10x35 small black foot		
0015058	Small shining product suction filter		
0015065/A	Cable fastener with screw		
0015089	4,5 Kw boiler heating element		
0015089/E	6 Kw boiler heating element		
00150900	Complete body K 50		
00150905	Boiler mod. 50		
00150909	Complete door K 50		
00150922	Side filter stand		
00150923	Central filter stand		
0015201	17d. teflon DVGW safety sphere valve		
0015202	40x33 d. DVGW brass pipe fitting		
0015203	30 DVGW brass nut for pipe fitting		
0015550	Conveyor safety thermostat		
0015735	2,7 lt. break tank		
0015813	16A unipolar switch elec.component		
0015834	Start switch		

KROMO**TABLE
KI4430****REV
04****DISHWASHER K 50**

Зип Общепит

vsezip.ru

(812)987-08-81



DISHWASHER K 50

Зип Общепит

TABLE
KI4430

vsezip.ru

+7(812)987-08-81

CODE	DESCRIPTION	CODE	DESCRIPTION
0010257	Grey plastic cap		
0010259	4 ways big grey endorser		
0010260	Plate for rotor		
0010261	D.28 open grey nozzle		
0010262	D.10 rinse grey nozzle		
0010263	D.10 grey open level nozzle		
0010267	Closed flat rinse jet D.10 grey		
0010268	D.28 grey open level nozzle		
0010269	Closed flat rinse jet D.28 grey		
0011101/1	Knurled stainless steel group screw		
0011807	12/20 stainless steel clamps		
0012006	Complete 10 d. rinse pipe fitting		
0012506	10x17 rubber holder pipe		
0012523	12.5x22x2 d. stainless steel washer		
0012526	12x14 M10x1 stainless steel coupling		
0012532	D. 10 grey cap		
0013003	OR 112 EP for rinse pipe fitting		
0013006	OR 3156 EPDM lower wash distribution		
0013016	OR 103 gasket		
0013018	OR 2087 gasket for 28 d. pipe		
0013304	Pipe-pass gasket		
0013306/A	Ramp gasket		
0013313	8x15x2 diam. gasket		
0013319	PTFE+CB H11.5 sliding washer		
00150048	Upper coupling washing 50		
00150049	Lower coupling washing 50		
00150225	Lower tie rod 50 12x95		
→ 0025032/A	50 d. Coipling for suction		
0015038	Lower wash connection ferrule		
0015039	Lower s.s. wash coupling		
0015040/A	Lower stainless steel glass washing		
0015041/A	Grey lower wash+rinse distributor		
0015081	12,5 condensor		
00150914	Pump Hp 0,70 230V 50Hz		
0015165	3 way derivation d.13		
0015300	10x51 d.lower rinse axis		
0015304	L=138 stainless steel extension axis		
0015571	G94 right wash pipe		
0015572	G94 left wash pipe		
0015575	G94 right rinse pipe		
0015576	G94 left rinse pipe		
0015958	Wash rinse group 50-80		
→ 0015045/B	3 Way complete pipe rinse		
0026911/A	Top grey distributor group		

KROMO	TABLE	REV
	KI4460	16
DISHWASHER K 45-50-80		
From serial Nr.01028172 on		

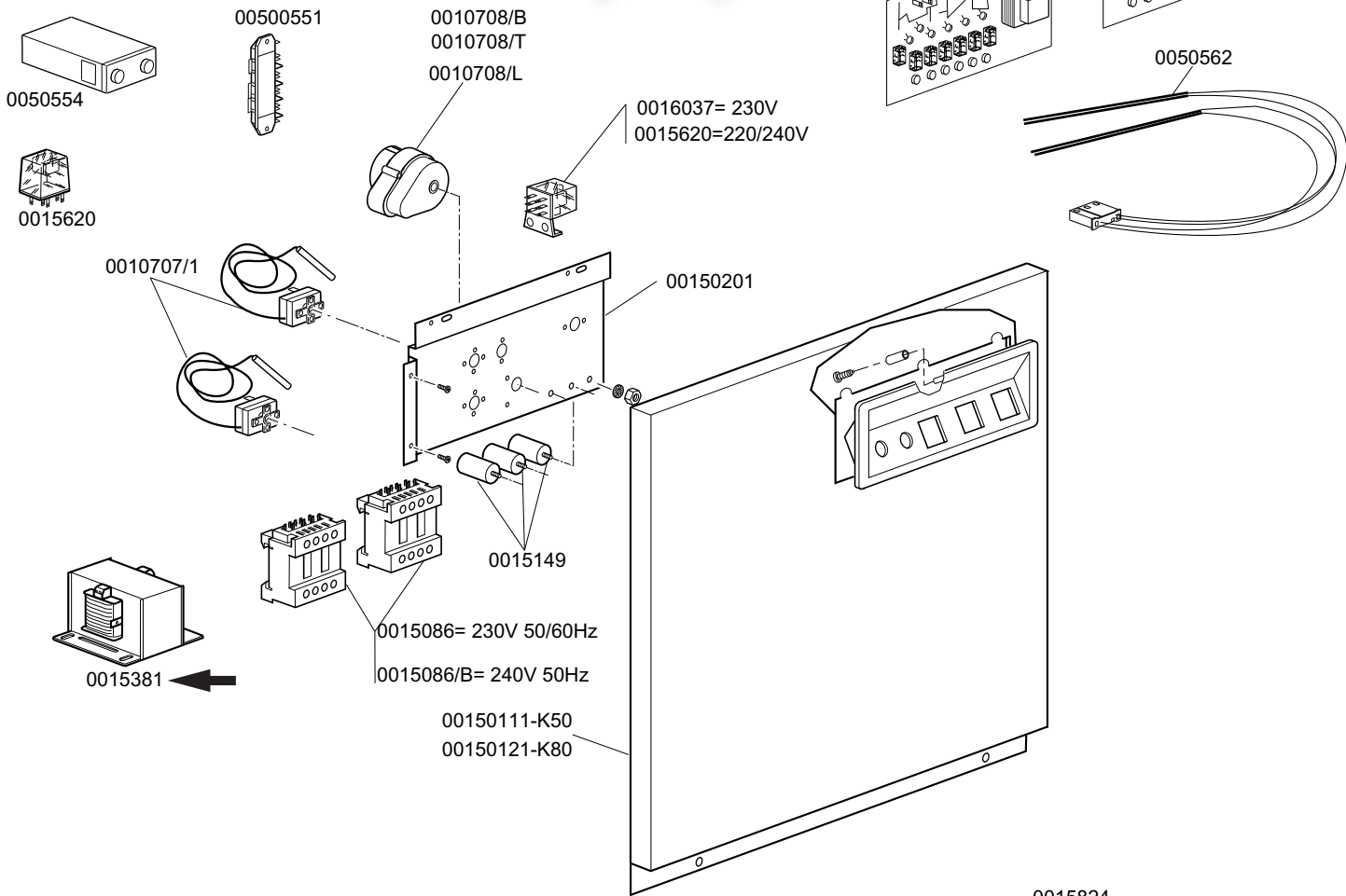
REGENERATION / DRAIN PUMP VERSION

Зип Общедепит

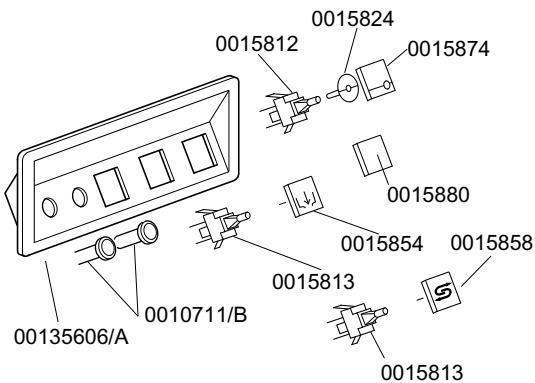
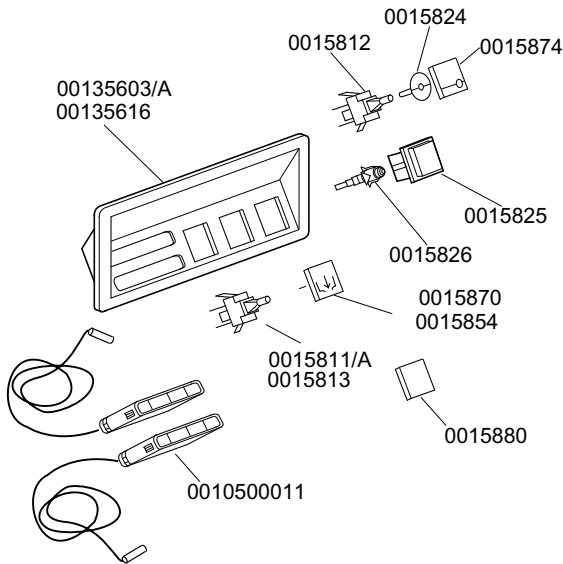
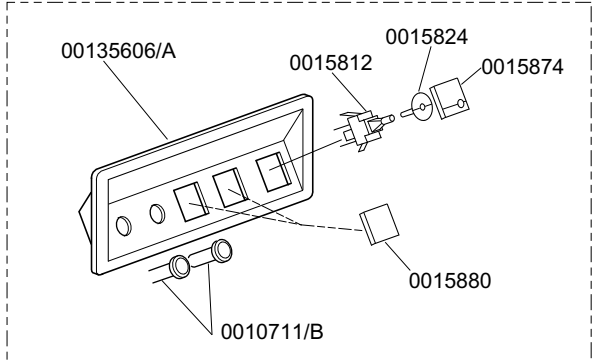
0016047

vsezip.ru

+7(812)987-08-81



STANDARD CONTROL PANEL K-45/50/80



DISHWASHER K 50-80 Зип Общепит

TABLE
KI4460

CODE	DESCRIPTION	CODE	DESCRIPTION
001050005	Thermometer		
0010500011	Thermometer		
0010707/1	Thermostat		
0010708/L	Rapid timer 120" 230/50		
0010708/T	Timer 150" 230V 50Hz thermostop		
0010711/B	220V. fluor pilot lamp		
00135603/A	3F+2TS instrument panel-gray		
00135606/A	3 + 2 instrument panel-gray		
00135616	3 + 2 instrument panel-light blue		
0015011A	Lower door K 50		
00150121	Lower door K 80		
00150201	Support component K 50-80		
0015086	230V 50-60 Hz remote control switch		
0015086/B	20A 240V remote control switch		
0015119	12 poles PA 76 terminal board		
0015381	150VA 0/230V - 0/400-415-440V Trasf.		
0015620	Bipolar relay 16A		
0015811/A	Deviator switch for drain pump		
0015812	16A starter electric component		
0015813	16A unipolar switch electric component		
0015824	Green-orange cam		
0015825	Q green cover		
0015826	220V lamp		
0015854	Q5 green push button drain pump		
0015858	Q5 yellow push button rigeneration		
0015870	Q6 green push button drain pump		
0015874	Q6 green main switch for 0/1		
0015880	Square grey fix push button		
0016037	B 1-2 relay		
0016047	16A tipolar relay 230 VaC 50/60 Hz		
00500551	6 Poles FV122 Terminal board		
0050554	Eletronic timer 200-240V 50Hz		
0050557	60-100-180 ECO2 electronic timer		
0050559	EXP-PS Electronic card		
0050562	M10x1 nut for thermostat probe		

KROMO	TABLE	REV
	KI4461	00
DISHWASHER K 45-50-80		

REGENERATION / DRAIN PUMP VERSION

Зип Оффенпит
vsezip.ru



+7(812)987-08-81

