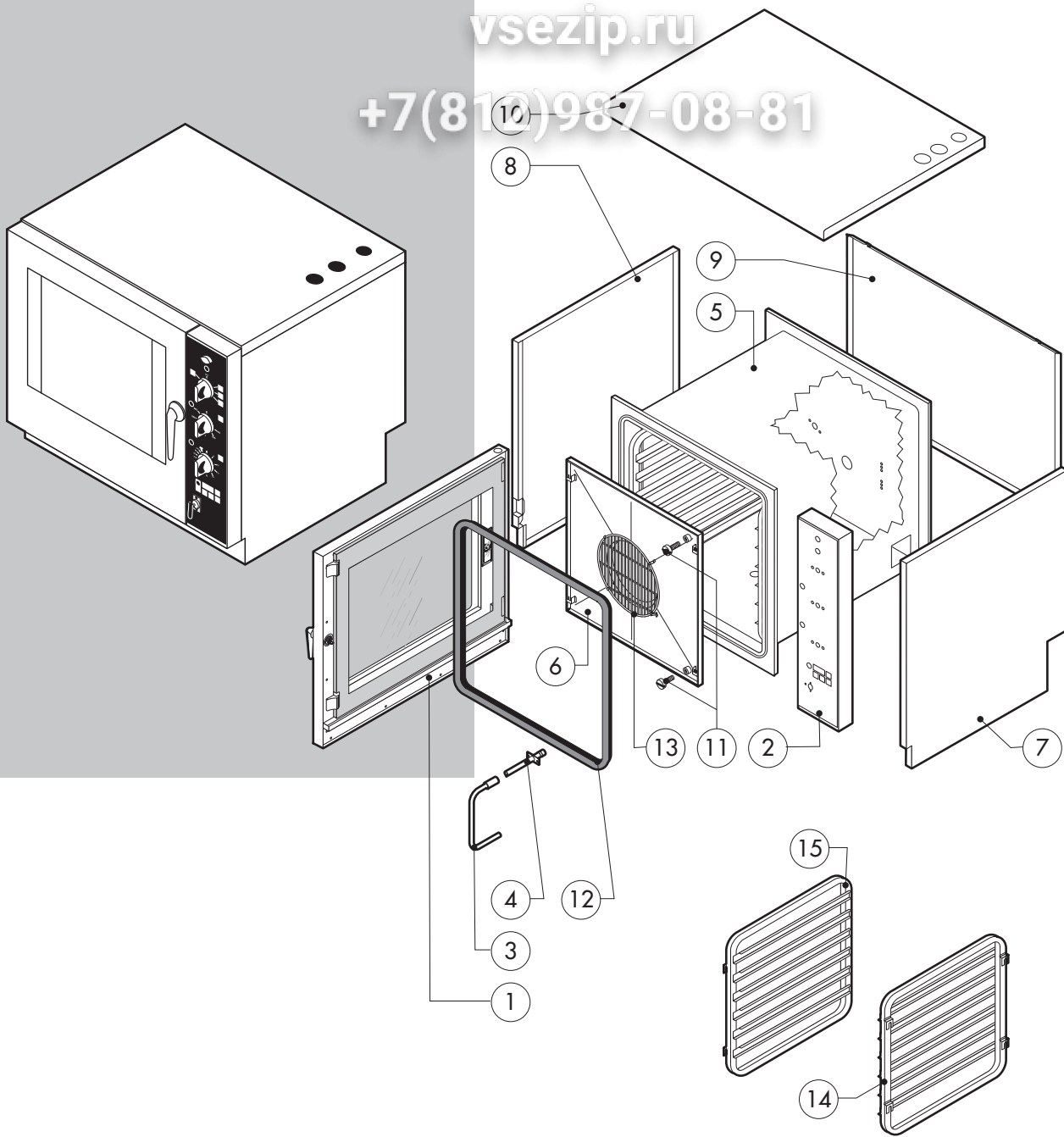


Зип Ощепит

vsezip.ru

+7(810)987-08-81

016.40.177 0191 060404 DONADINI & C



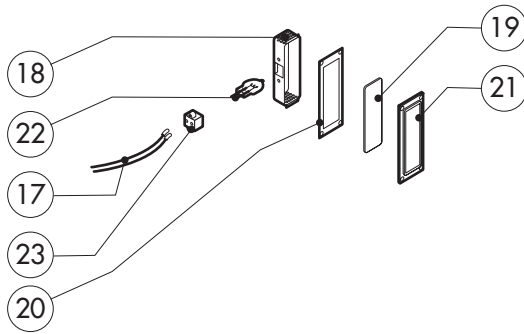
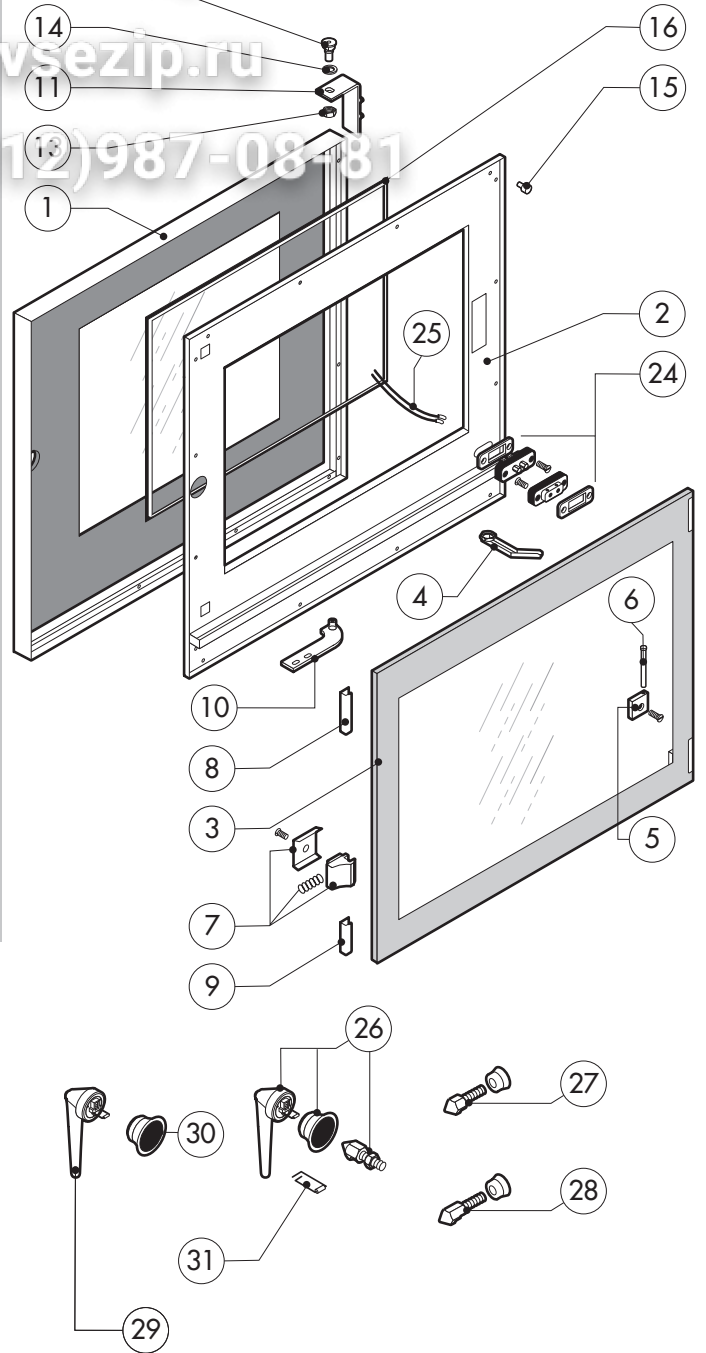
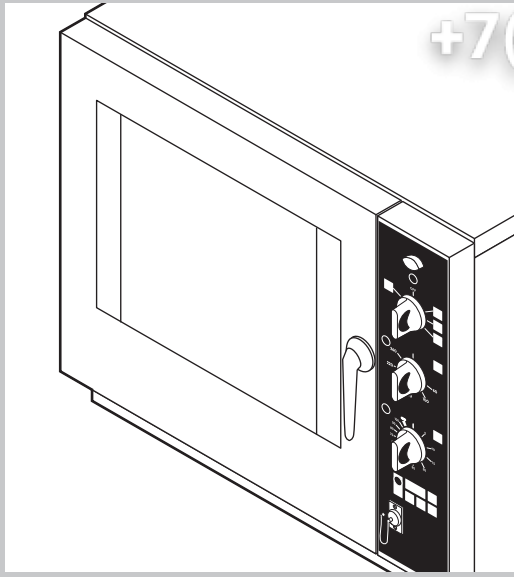
POS.	CODE	PIECES	DESCRIPTION
1	R11100100	1	DOOR ASSEMBLY
2	R11200740	1	CONTROL PANEL
3	R11200650	1	SPRITZER EXTENSION
4	R11200380	1	SPRITZER UNION
5	R11200000	1	COOKING CABINET ASSEMBLY
6	R11200350	1	FAN GUARD PANEL ASSEMBLY
7	R11200330	1	RIGHT SIDE PANEL
8	R11200340	1	LEFT SIDE PANEL
9	R11400950	1	REAR PANEL
10	R11200190	1	COVER PANEL
11	R58003100	2	FAN GUARD FASTENING SCREW
12	R70044100	1	FRONT GASKET
13	R75300030	1	FAN GUARD GRID Ø 190
14	R11200420	1	REMOVABLE RACK DX
15	R11200430	1	REMOVABLE RACK SX

POS.	CODE	PIECES	DESCRIPTION

Зип-Общепит

vsezip.ru

+7(812)987-08481



POS.	CODE	PIECES	DESCRIPTION
1	R11100160	1	DOOR
2	R11200510	1	INNER DOOR PANEL
3	R11100130	1	INNER DOOR GLASS
4	R11200520	1	DOOR DRIP TRAY DRAINAGE
5	R58001760	2	INNER GLASS SOLID HINGE
6	R58001770	2	INNER GLASS HINGE PIN
7	R58001780	2	INNER GLASS CATCH KIT
8	R11401340	1	TOP "C" PROFILE
9	R11401360	1	LOWER "C" PROFILE
10	R11200550	1	LOWER DOOR HINGE - UNTIL N°3503CRXXXXX1
	R11200560	1	LOWER DOOR HINGE - FROM N°3603CRXXXXX2
11	R58002150	1	UPPER DOOR HINGE
12	R58004050	1	HINGE PIN
13	R10401710	1	NUT FOR UPPER DOOR HINGE
14	R70050100	6	WASHER FOR UPPER DOOR HINGE
15	R70044150	1	GLASS SILICON SPACERS
16	R66110310	1	GLASS GASKET
17	R11401440	1	DOOR LAMPS CABLE SET
18	R71500150	1	LAMP COVER

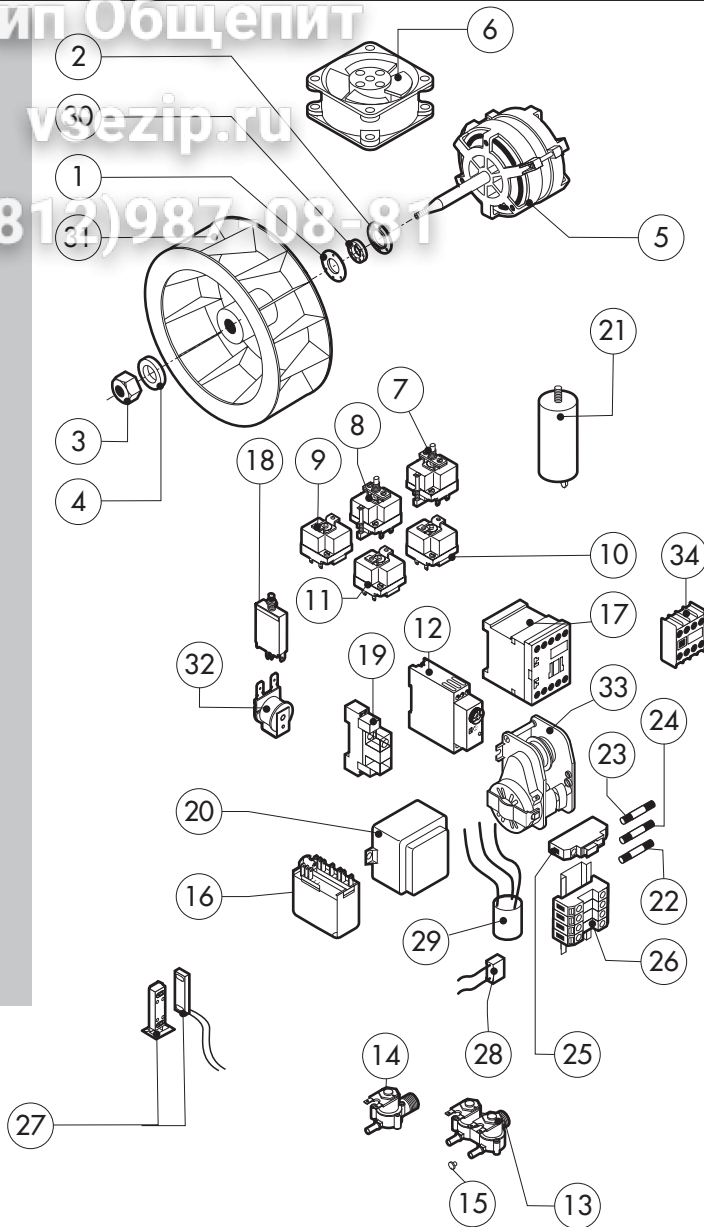
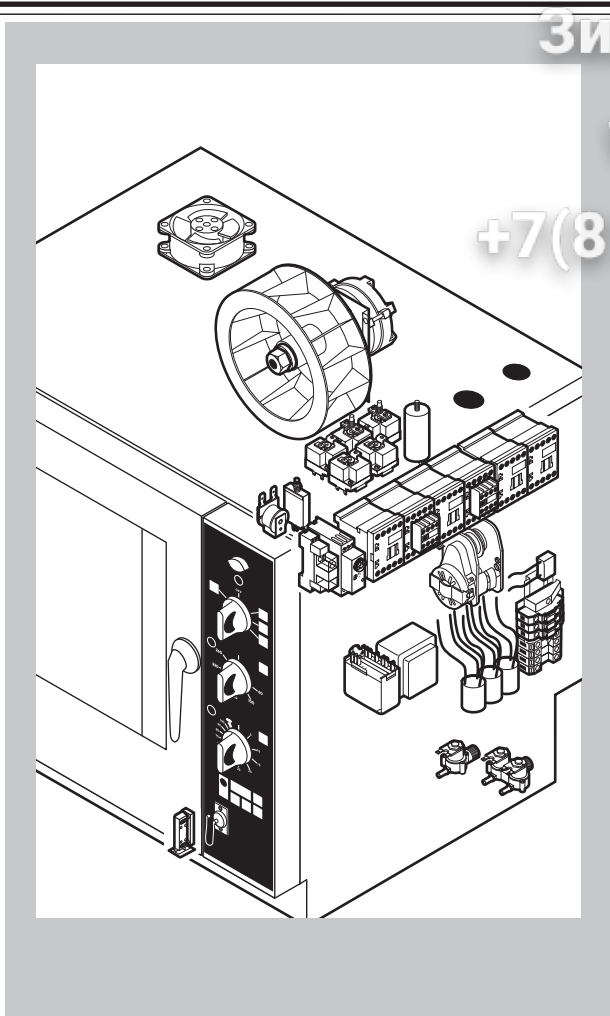
POS.	CODE	PIECES	DESCRIPTION
19	R71500150	1	GLASS LAMP
20	R70044200	1	LAMP GASKET
21	R11401450	1	GLASS HOLDER LAMP FLANGE
22	R65270020	1	LIGHT 20W 12V G4
23	R65270450	1	LIGHT SOCKET
24	R65260750	1	LAMPS CONTACT BLOCK
25	R66110300	1	LAMPS CONTACT CABLE SET
26	R11100300	1	DOOR HANDLE ASSEMBLY
27	R69010260	1	DOOR LATCH 1 STEP
28	R69010270	1	DOOR LATCH 2 STEP
29	R69010250	1	DOOR CATCH KIT
30	R69010630	1	INNER DOOR CATCH PLASTIC COVER
31	R61620132	1	PRONG FLANGE

Зип Общепит

vsezip.ru

+7(812)987-08-81

016.40.177 0193 300604 DONADINI srl



POS.	CODE	PIECES	DESCRIPTION
1	R58003860	1	MOTOR GASKET BRASS FLANGE
2	R58003870	1	MOTOR GASKET BRASS COUNTER FLANGE
3	R58004020	1	FAN SECURITY NUT M10 SX
4	R61400052	1	FAN WASHER Ø 21/10.5
5	*R65040421	1	MOTOR KW 025 2P 220-240V KIT
6	R65060050	1	COMPONENTS VENTILATION MOTOR Ø 120
7	R65070350	1	CHAMBER SAFETY THERMOSTAT
8	R65070081	1	STEAM GENERATOR SAFETY THERMOSTAT
9	R65070100	1	THERMOSTAT 55°C
10	R65070165	1	THERMOSTAT 65°C
11	R65070240	1	THERMOSTAT 70°C
12	R65090450	1	S.GENERATOR DRAIN TIMER
13	R65110210	1	SOLENOID VALVE 220V 50HZ WITH FLOW REDUCER
14	R65110200	1	SOLENOID VALVE 220V 50HZ
15	R65110510	1	15 LT/H WATER FLOW REDUCER
16	R65120010	1	LEVEL REGULATOR
17	*R65140380	6	CONTACTOR 3RT1016-1AP02 240V
18	*R65160320	1	THERMIC PROTECTION T12-211S-2A
19	R65170050	1	RELAY 4052 240V AC 10A

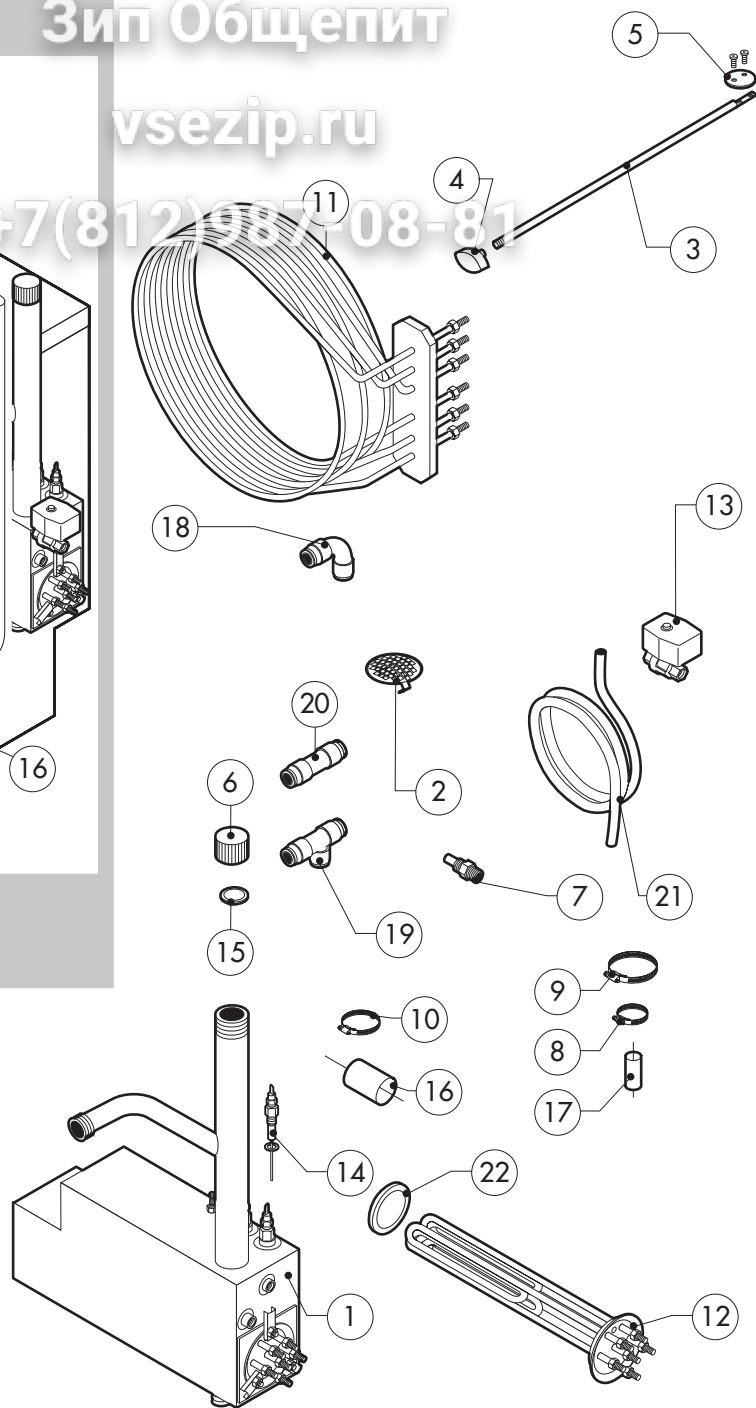
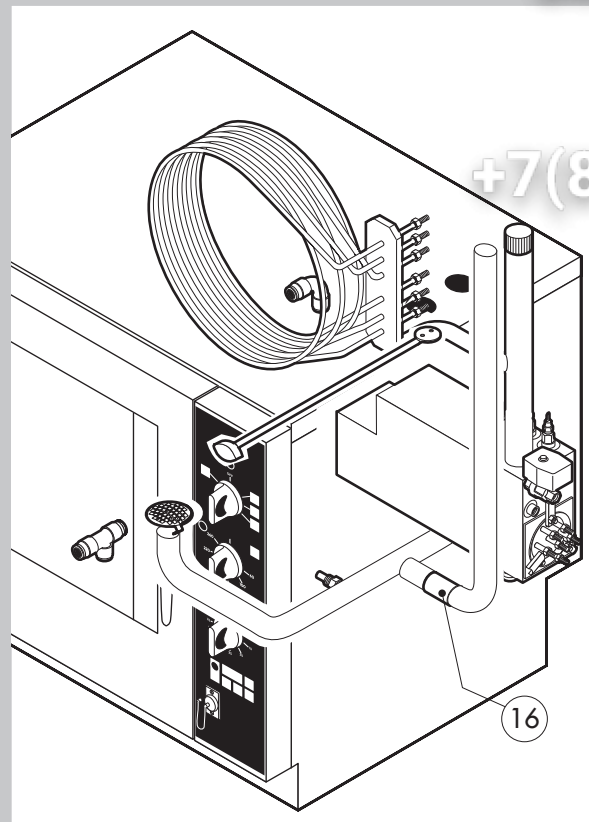
POS.	CODE	PIECES	DESCRIPTION
20	R65180420	1	TRANSFORMER 20VA
21	*R65190180	1	CAPACITOR 10 µF
22	R65200200	1	FUSE 2A
23	R65200080	1	FUSE 0.25A (T)
24	R65200120	1	FUSE 0.25A (T)
25	R65210020	3	FUSE CARRIER
26	R65220090	1	TERMINAL BOARD
27	R65265100	1	DOOR SWITCH
28	*R65280130	1	INTERFERENCE SUPPRESSOR
29	*R65280200	3	INTERFERENCE SUPPRESSOR
30	R70020040	1	MOTOR GASKET
31	*R75400400	1	FAN Ø 220x78/12 50HZ P.D. KIT
32	R65330010	1	BUZZER
33	R65090190	1	REVERSING SWITCH 8'
34	*R65140420	2	AUX.CONTACT 1L+1R 3RH1911-1FA11

\*COMPONENT SUBMITTED TO CHANGEMENTS CAUSED BY TENSION DIFFERENT FROM THE STANDARD (3N AC400V 50HZ)

EDIZIONE 0604

ME 061 M

tav. C



POS.	CODE	PIECES	DESCRIPTION
1	R11100410	1	STEAM GENERATOR ASSEMBLY
2	R10201700	1	DRAIN FILTER
3	R58003740	1	CHAMBER VENT ROD
4	R69010410	1	STEAM OUTLET KNOB
5	R04403460	1	CHAMBER VENT PLATE Ø 46
6	R58005680	1	STEAM GENERATOR DESCALING CAP 1"1/4 F
7	R65110560	1	STEAM QUENCHING NOZZLE Ø 1
8	R61630011	2	METAL CLAMPS 12-22/9
9	R61630071	2	METAL CLAMPS 110-130/9
10	R61630031	2	METAL CLAMPS 40-60/9
11	*R65011540	1	CHAMBER HEATING ELEMENT 7500W
12	*R65020350	1	STEAM GENERATOR HEATING ELEMENT 7500W
13	R65110560	1	STEAM GENERATOR DRAIN MOTORIZED VALVE
14	R65320010	2	STEAM GENERATOR LEVEL PROBE
15	R70050040	1	STEAM GENERATOR CAP GASKET
16	R70060040	1	SILICON COUPLING Ø 50
17	R70060080	1	SILICON COUPLING Ø 13
18	R62090478	6	ELBOW MIDDLING PIPE FITTING D.10
19	R62090468	1	"T" MIDDLING PIPE FITTING D.10

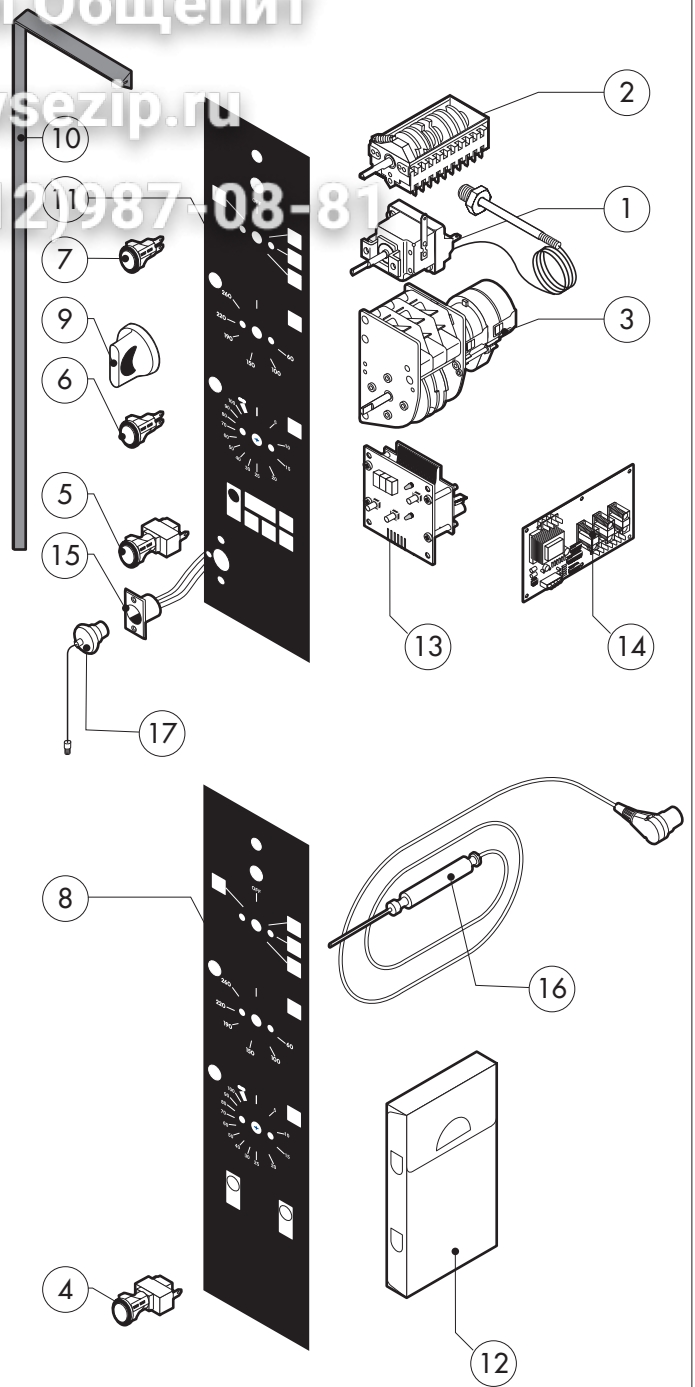
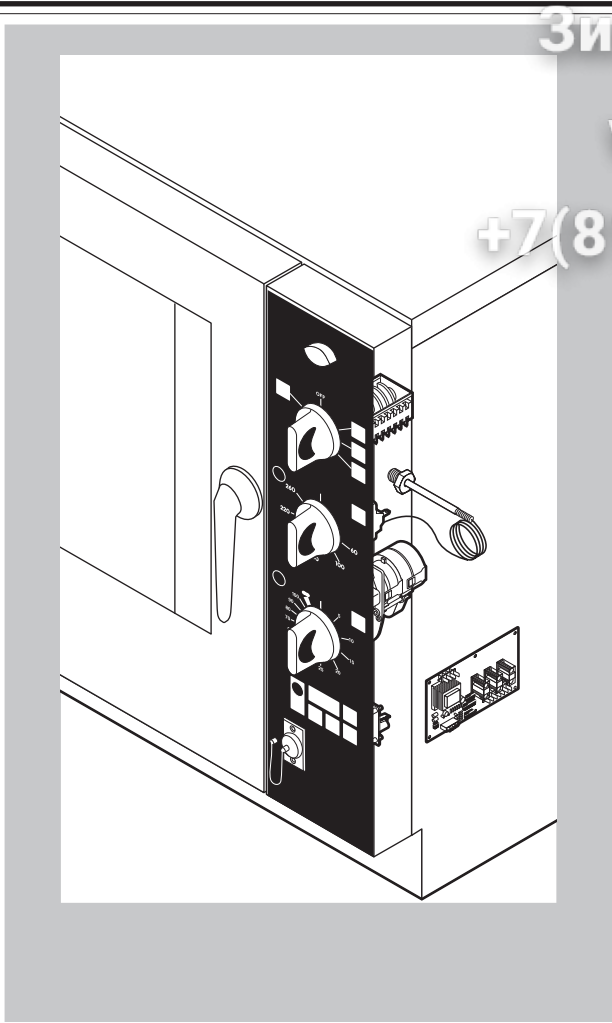
POS.	CODE	PIECES	DESCRIPTION
20	R62090458	1	STRAIGHT MIDDLING PIPE FITTING D.10
21	R70070050	1	PE D.10 MM X7 WATER FLEXIBLE PIPE (3 MT LONG)
22	R70045010	1	STEAM GENERATOR HEATING ELEMENT GASKET

\*COMPONENT SUBMITTED TO CHANGEMENTS CAUSED BY TENSION DIFFERENT FROM THE STANDARD (3N AC400V 50HZ)

Зип Общепит

vsezip.ru

+7(812)987-08-81



POS.	CODE	PIECES	DESCRIPTION
1	R65070360	1	CABINET THERMOSTAT 50/270°C
2	R65080020	1	MAIN SELECTOR SWITCH
3	R65090200	1	TIMER
4	R65260600	1	SWITCH
5	R65260610	1	HUMIDIFIER PUSH BUTTON
6	R65270150	2	ORANGE INDICATING LIGHT
7	R65270160	1	GREEN INDICATING LIGHT
8	R67012950	1	LAINOX PLATE
9	R69030150	3	KNOB - UNTIL N°2604
	R69030170	3	KNOB - FROM n°2704
10	R70044250	1	CONTROL PANEL GASKET
11	R67012960	1	LAINOX PLATE
12	R86020420	1	CORE TEMPERATURE PROBE BOX
13	R65300540	1	CONTROL PANEL P.C. BOARD
14	R65300490	1	RELAYS P.C. BOARD
15	R65320920	1	CORE TEMPERATURE PROBE FEMALE CONNECTOR
16	R65320900	1	CORE TEMPERATURE PROBE
17	R65321020	1	COVER FOR FEMALE CONNECTOR

POS.	CODE	PIECES	DESCRIPTION