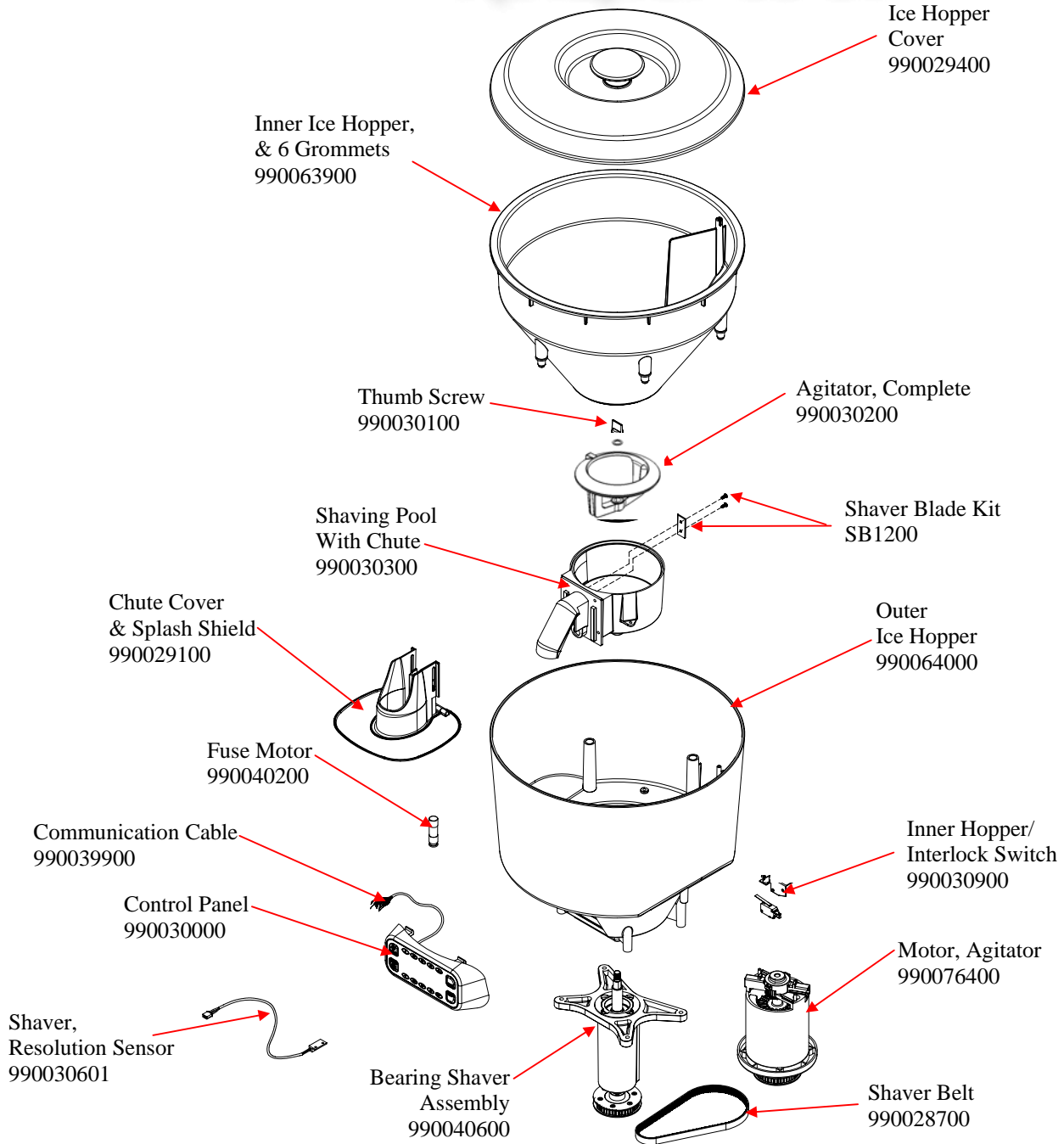



Replacement Parts Diagram Model HBS1200-CE (Series A-C)

PROPRIETARY RIGHTS NOTICE This document and all information contained within it is the property of Hamilton Beach Brands, Inc. (HBB). It is confidential and proprietary and has been provided to you for a limited purpose. It must be returned or destroyed upon request. Disclosure, reproduction or use of this document and any information contained within it, in full or in part, for any purpose is forbidden without the prior written consent of HBB. No photographs may be taken of any article fabricated or assembled from this document without the prior written consent of HBB.

+7(812)987-08-81



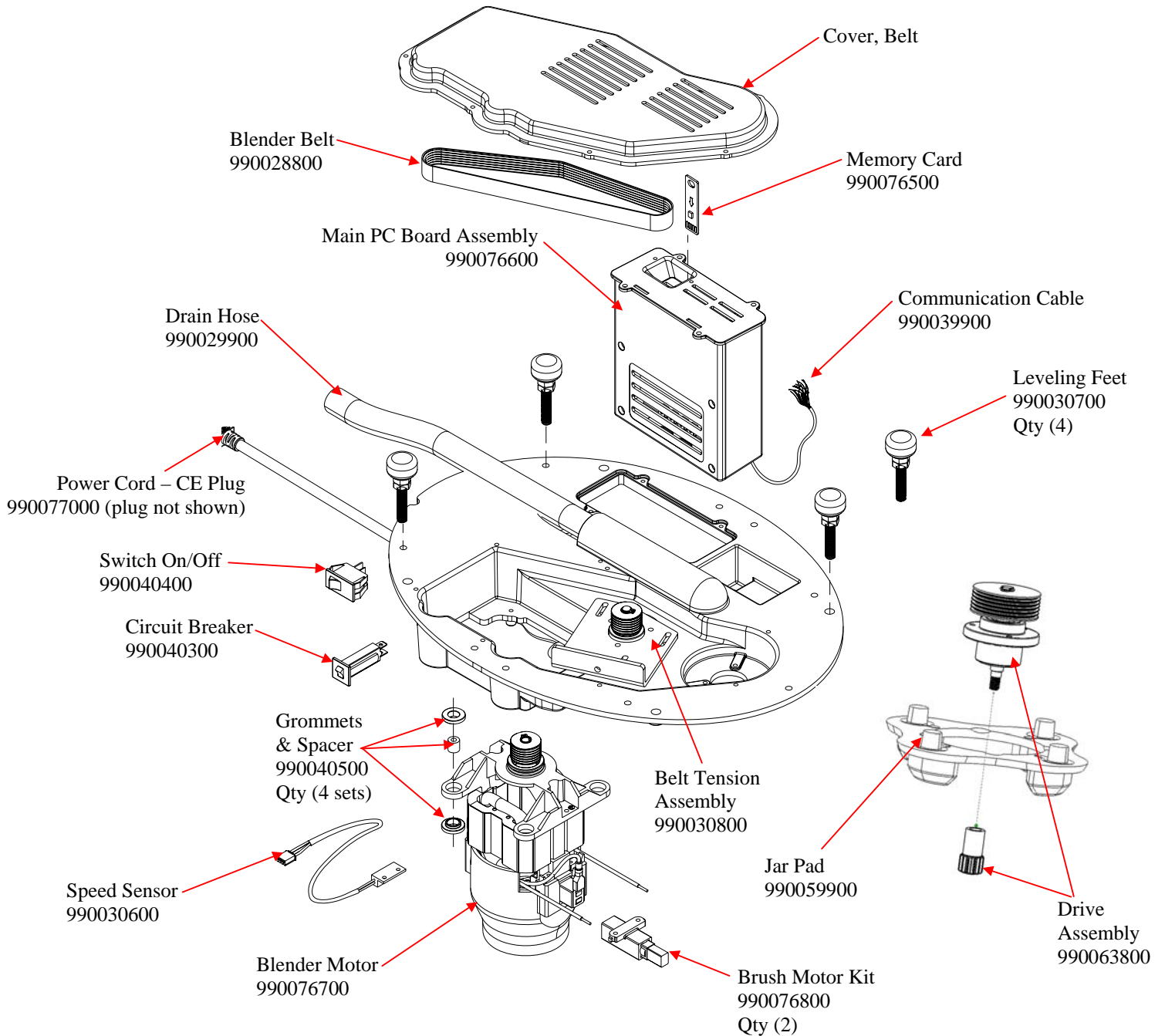
 4421 Waterfront Drive Glen Allen, VA 23060	Revision Description:	Created separate part numbers for lid and filler cap.					
	Request Number:	HQE-6753	Revision Date:	8/6/08	Approved by:		
	Issue Code(s):	CS, SP	Page:	1 of 3	Document #:	5100189XX	Rev:


Replacement Parts Diagram

Model HBS1200-CE (Series A-C)

PROPRIETARY RIGHTS NOTICE This document and all information contained within it is the property of Hamilton Beach Brands, Inc. (HBB). It is confidential and proprietary and has been provided to you for a limited purpose. It must be returned or destroyed upon request. Disclosure, reproduction or use of this document and any information contained within it, in full or in part, for any purpose is forbidden without the prior written consent of HBB. No photographs may be taken of any article fabricated or assembled from this document without the prior written consent of HBB.

+7(812)987-08-81

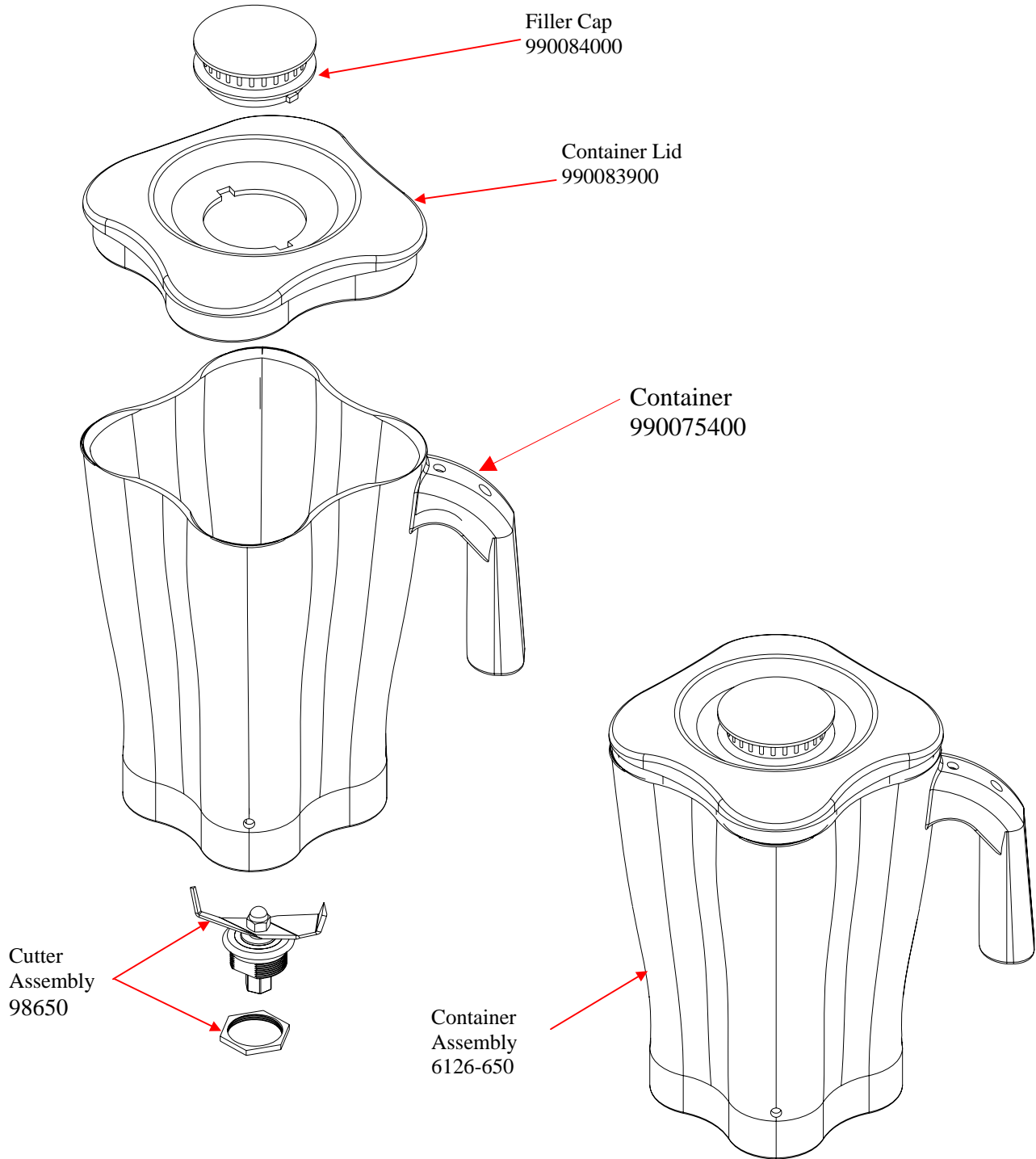



 4421 Waterfront Drive Glen Allen, VA 23060	Revision Description:		Created separate part numbers for lid and filler cap.			
	Request Number:	HQE-6753	Revision Date:	8/6/08	Approved by:	
	Issue Code(s):	CS, SP	Page:	2 of 3	Document #:	5100189XX
					Rev:	C

Replacement Parts Diagram Model HBS1200-CE (Series A-C)

PROPRIETARY RIGHTS NOTICE This document and all information contained within it is the property of Hamilton Beach Brands, Inc. (HBB). It is confidential and proprietary and has been provided to you for a limited purpose. It must be returned or destroyed upon request. Disclosure, reproduction or use of this document and any information contained within it, in full or in part, for any purpose is forbidden without the prior written consent of HBB. No photographs may be taken of any article fabricated or assembled from this document without the prior written consent of HBB.

+7(812)987-08-81



 4421 Waterfront Drive Glen Allen, VA 23060	Revision Description:		Created separate part numbers for lid and filler cap.					
	Request Number:	HQE-6753	Revision Date:	8/6/08	Approved by:			
	Issue Code(s):	CS, SP	Page:	3 of 3	Document #:	5100189XX	Rev:	C