

Зип Общепит

vsezip.ru

+7(812)987-08-81

HOOD TYPE MACHINE

INSULATED DOUBLE WALLED CAPOTE
ELECTROMECHANICAL SWITCHES

TYPE: 14U

Accessories

BREAK TANK

BOOSTER PUMP

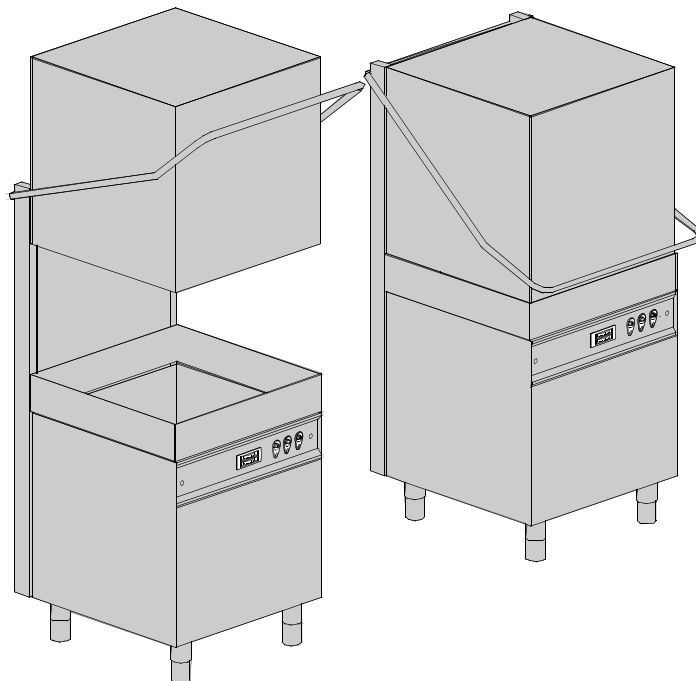
DVGW

WATER SOFTNER

DETERGENT DISPENSER

DRAIN PUMP

Spare parts manual



Зип Общепит

vsezip.ru

+7(812)987-08-81

vsezip.ru

+7(812)987-08-81

1. Spare parts

General body parts.....	7
Closing panelig.....	9
Hood insulation.....	11
Control panel and switches.....	13
Electric control components.....	15
Solenoid valve group	17
Solenoid valve group	19
Break Tank	21
Break Tank	23
Booster pump.....	25
DVGW	27
Water softner group.....	29
Rinse aid dispenser group.....	31
Rinse aid dispenser group.....	33
Boiler group	35
3 ways connection	37

Connection group39

Wash pump group41

Dosing detergent group..... 43

Dosing detergent group..... 45

Drain pump group.....47

Pressure switch group with air trap ... 49

Turret group with rotating arms51

Turret group with rotating arms53

1.1 Voltage codes

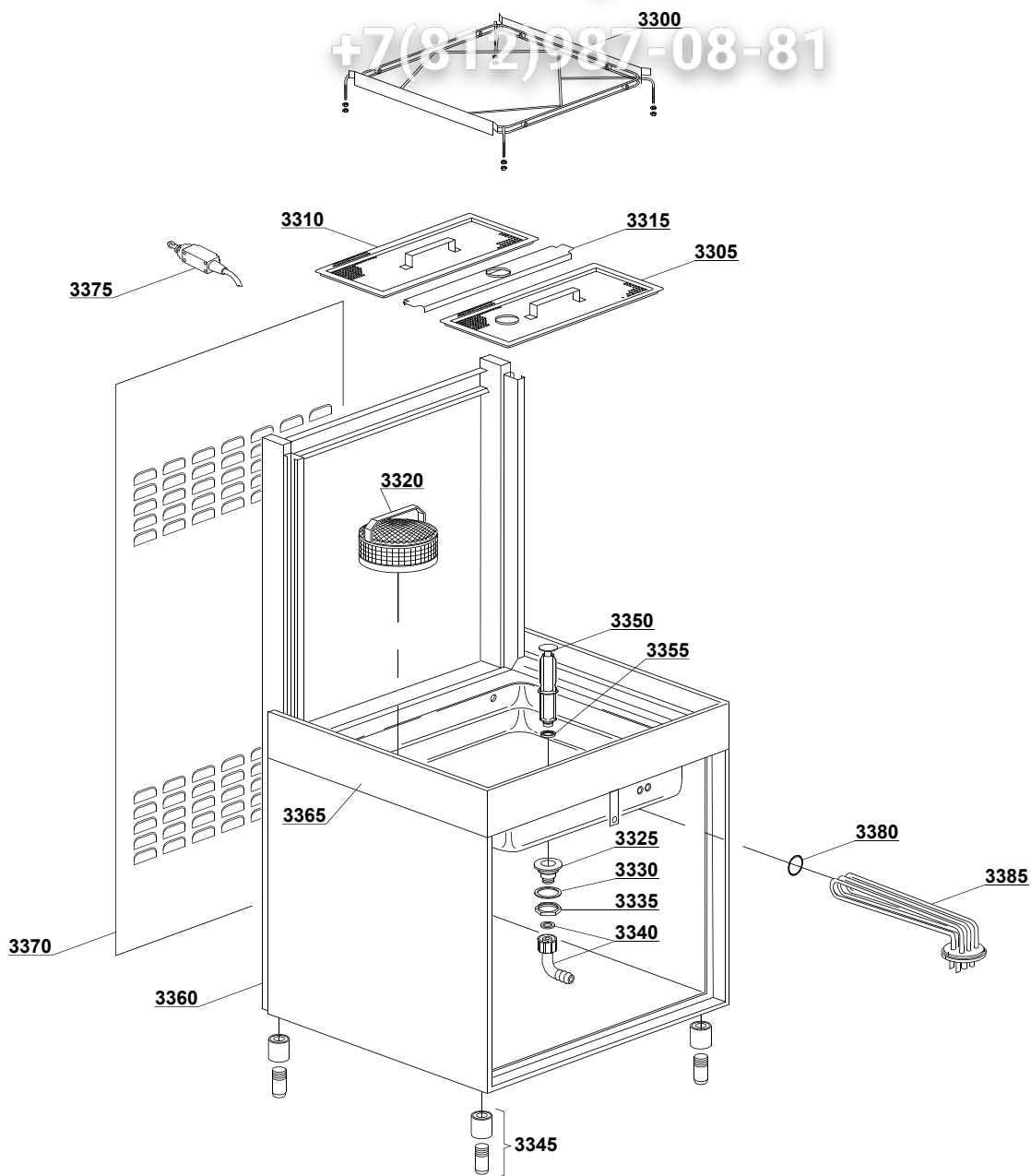
Voltage code	Voltage
A	3/N/PE~400/230V 50Hz
B	~250V 16A 50Hz
C	3/N/PE~380/220V 50Hz
D	3/PE~200V 50-60Hz
F	2/PE 220-240V 50Hz
G	3/N/PE~415/240V 50Hz
H	3/PE~230V 50Hz
I	3/PE~220V 60Hz
J	3/PE~380 50Hz
K	3/PE~400V 50Hz
L	3/PE~415V 50Hz
M	3/PE~440V 60Hz
N	3/PE~460V 60Hz
O	3/PE~480V 60Hz
P	1/N/PE~220-240V 50Hz
R	2/PE~220-230V 60Hz
S	3/N/PE~400/230V 50Hz
T	3/PE~230V 60Hz

1.2 Product codes

Product code	Full name
Model codes	
is	INSULATED DOUBLE WALLED CAPOTE
em	ELECTROMECHANICAL SWITCHES
Type codes	
14U	14U
Accessory codes	
bt	BREAK TANK
pap	BOOSTER PUMP
dvgw	DVGW
d	WATER SOFTNER
dde	DETERGENT DISPENCER
ps	DRAIN PUMP

vsezip.ru

+7(812)987-08-81



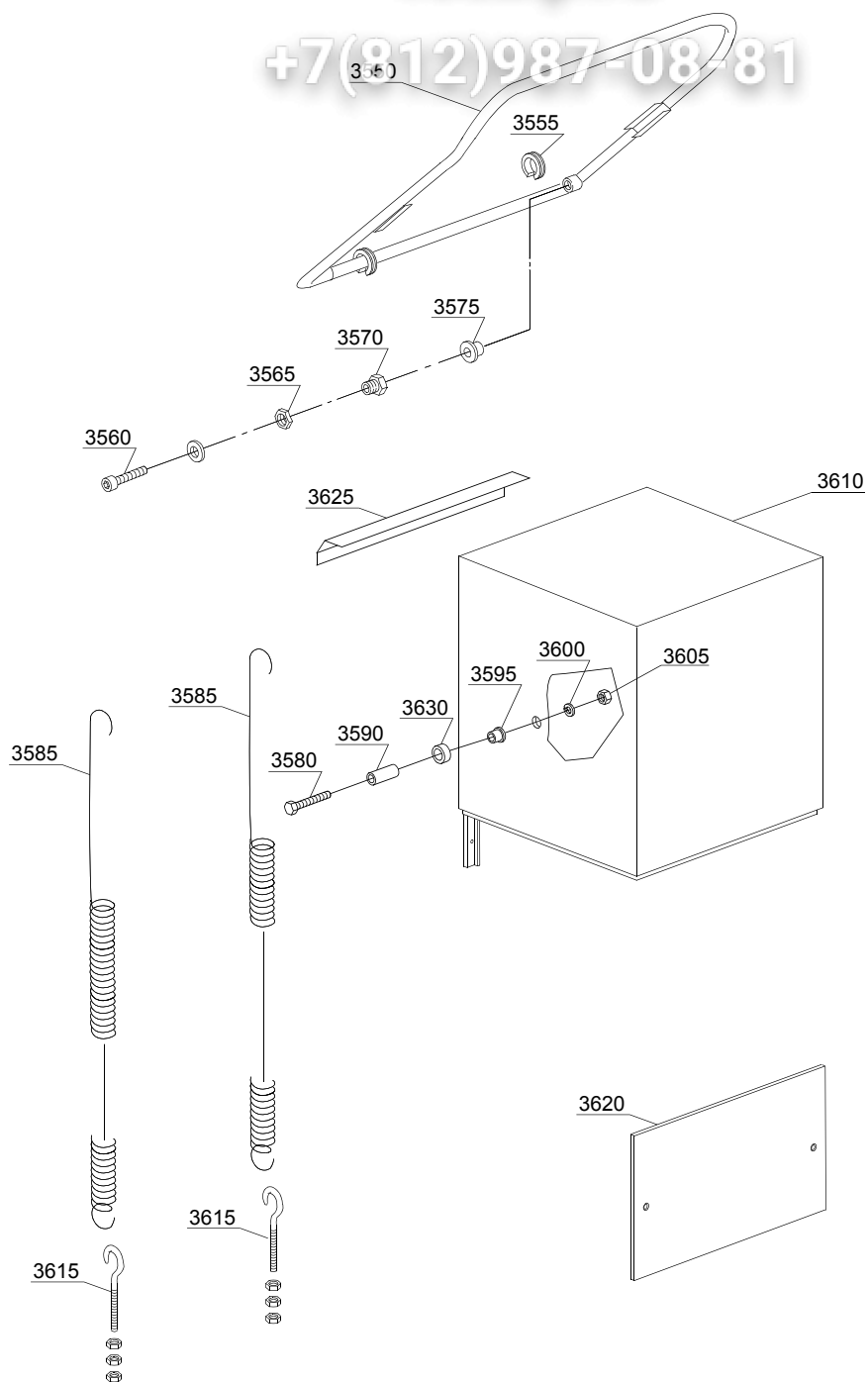
01_003_e

vsezip.ru

ID	P-code	Model	Type	Accessory	Voltage	Description
MODULE:General body parts						
3300	10600918		14U			Basket support
3305	75625		14U			Half-filter with hole
3310	75626		14U			Surface half-filter
3315	75926		14U			Sleeper holder-filter
3320	15911		14U			Stainless steel filter
3325	10200113		14U			Floor drain
3325	15063		14U			Stainless steel floor drain
3330	10200173		14U			75x58x2 O-ring
3335	10200114		14U			Floor drain nut
3340	15613		14U			Drain elbow
3345	15116		14U			Foot
3345	75943		14U			Foot Marina version
3350	500618		14U			Overflow pipe
3350	75250		14U	dp		Overflow pipe
3355	13021		14U			DEM 40 O-ring
3360	75600		14U			Base assembly
3365	75601		14U			Tank/back panel assembly
3370	75305		14U			Back panel
3370	75306		14U	bt		Back panel
3370	75632		14U			Back panel special version
3375	70305		14U			Hood switch
3380	13015		14U			6225 OR 160 NBR O-ring
3385	15047/A		14U			2,7/2,94KW 230/240V 3 heating element
3385	15047/B		14U			3KW heating element - 440V

vsezip.ru

+7(812)987-08-81



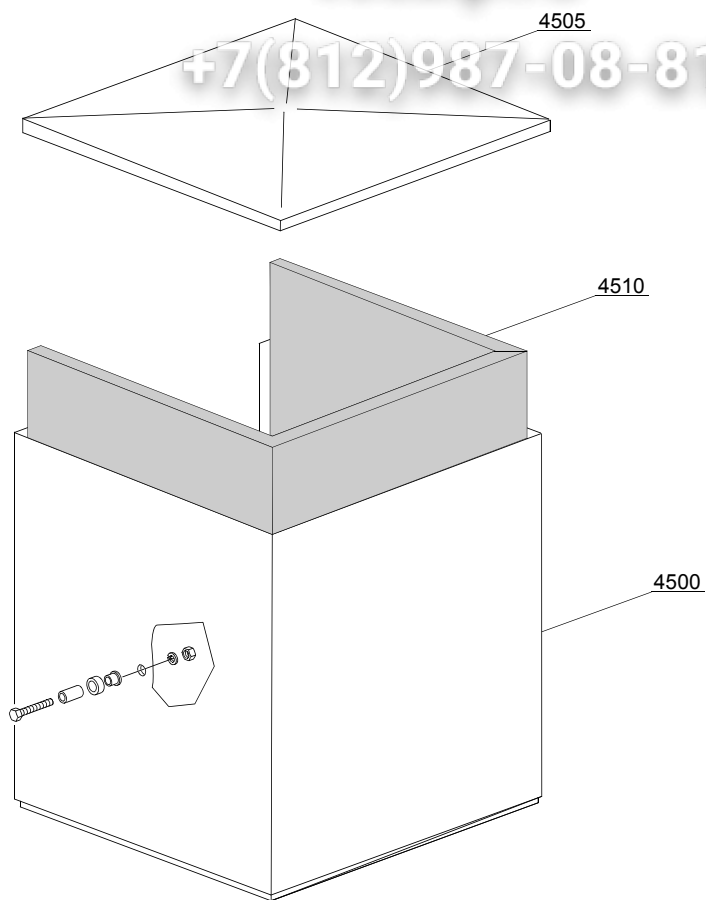
02_201_e

vsezip.ru

ID	P-code	Model	Type	Accessory	Voltage	Description
MODULE:Closing panelig						
3550	75301		14U			Handle
3550	75302		14U			Handle
3555	70306		14U			Spring hook joint
3560	75201		14U			Stainless steel bolt
3565	75202		14U			Brass nut
3570	75203		14U			Brass bush
3575	75204		14U			Teflon bush
3580	10800129		14U			Pin
3580	10800128		14U			Wheel door fixing pin
3585	75303		14U			Back spring
3590	10800130		14U			Pin spacer
3595	10800231		14U			Roller bush
3600	10600206		14U			Ogive
3605	11718		14U			M8 stainless steel self-locking nut
3610	75900		14U			Hood
3615	10800210		14U			Spring hook
3620	75605		14U			Lower door
3625	75615		14U			Back sleeper
3630	10800244		14U			Door roller

vsezip.ru

+7(812)987-08-81



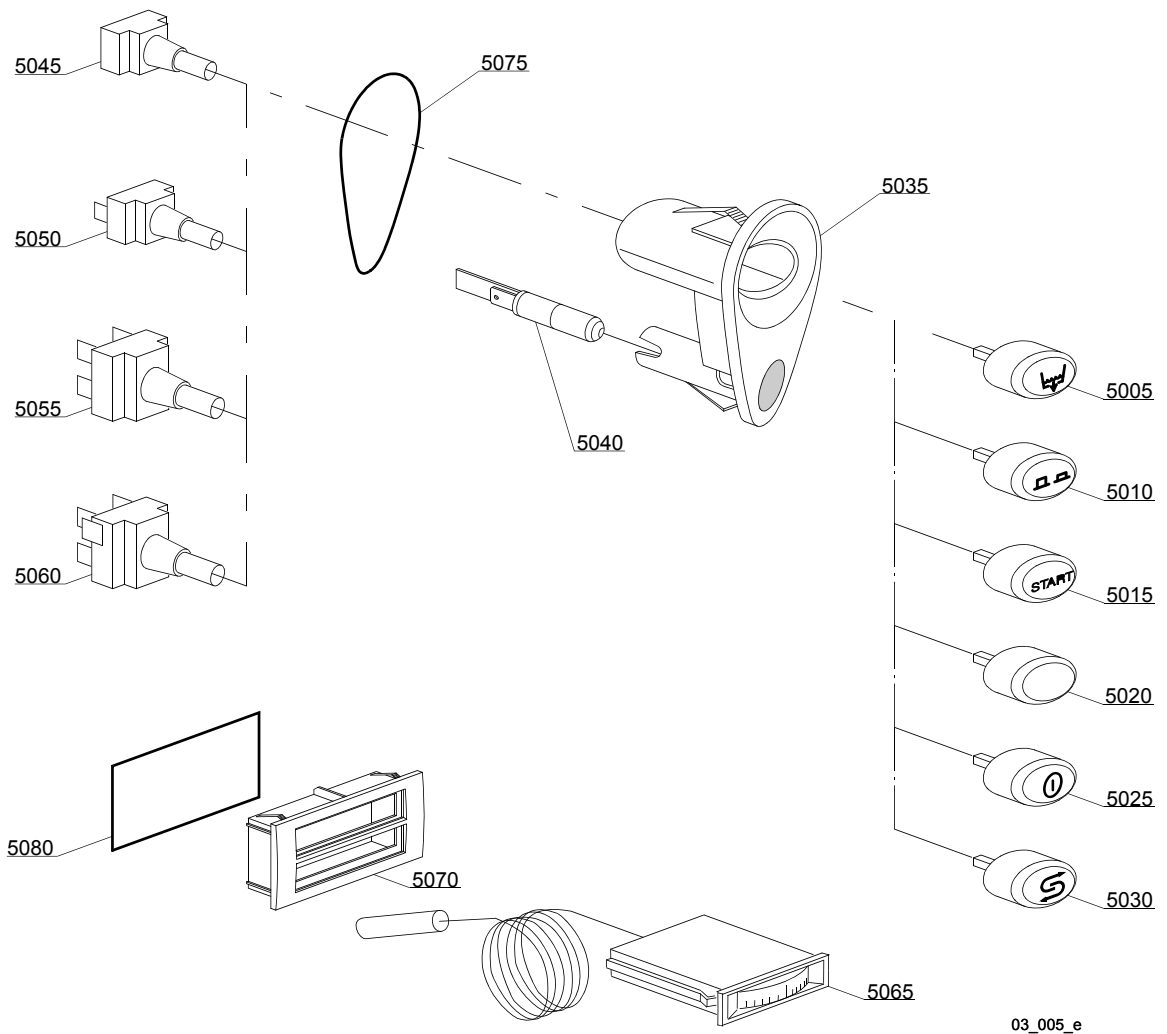
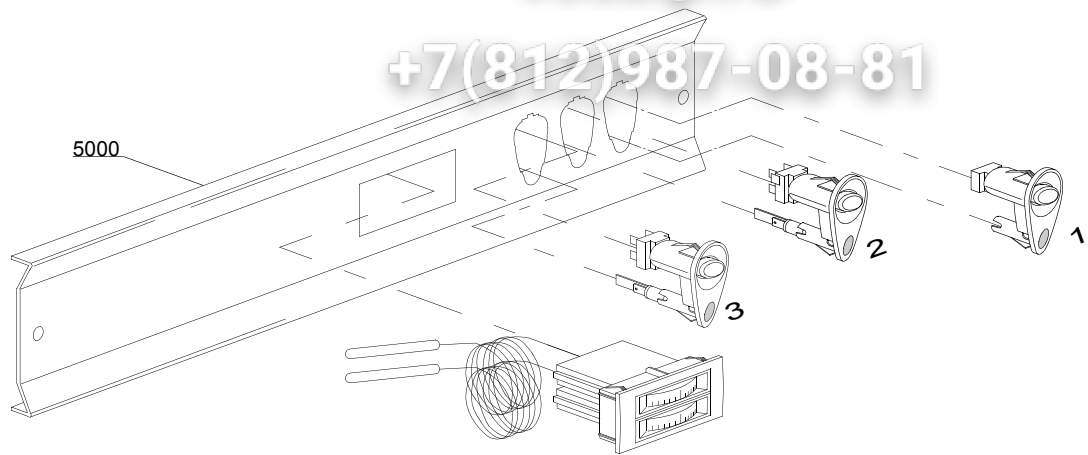
02_300_e

vsezip.ru

ID	P-code	Model	Type	Accessory	Voltage	Description
MODULE:Hood insulation						
4500	75901		14U			Counter-Hood
4505	75902		14U			Hood cover
4510	75210		14U			Compleat insulation

vsezip.ru

+7(812)987-08-81

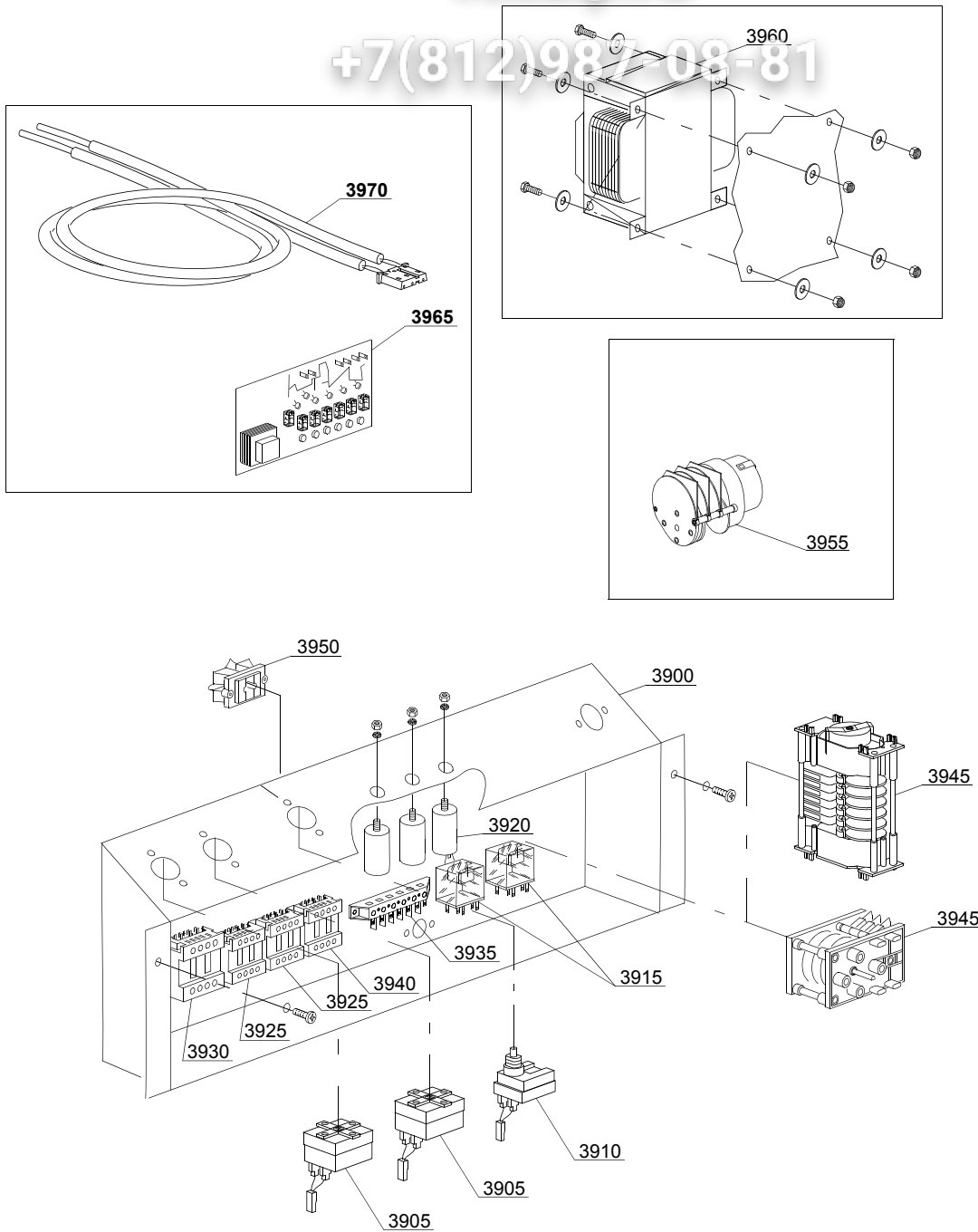


vsezip.ru

ID	P-code	Model	Type	Accessory	Voltage	Description
MODULE:Control panel and switches						
5000	75945		14U			Control panel
5005	89343		14U	dp		Drain pump push button
5010	89342		14U			Time selector switch push button
5015	89341		14U			Start push button (optional)
5020	89348		14U			Blind push button
5025	89340		14U			ON-OFF push button
5030	89345		14U	ws		Regeneration push button
5035	89300		14U			Push button support
5040	15826		14U			Pilot lamp
5045	15844		14U			Push button support
5050	15813		14U			16A unipolar switch
5055	15812		14U			16A switch
5055	15800		14U			16A bipolar switch
5060	15811		14U			16A bipolar switch
5060	15811/A		14U			16A bipolar switch
5065	10500011		14U			Thermometer
5070	89306		14U			Double thermometer support
5075	89332		14U			OR O-ring
5080	89331		14U			OR O-ring

vsezip.ru

+7(812)987-08-81



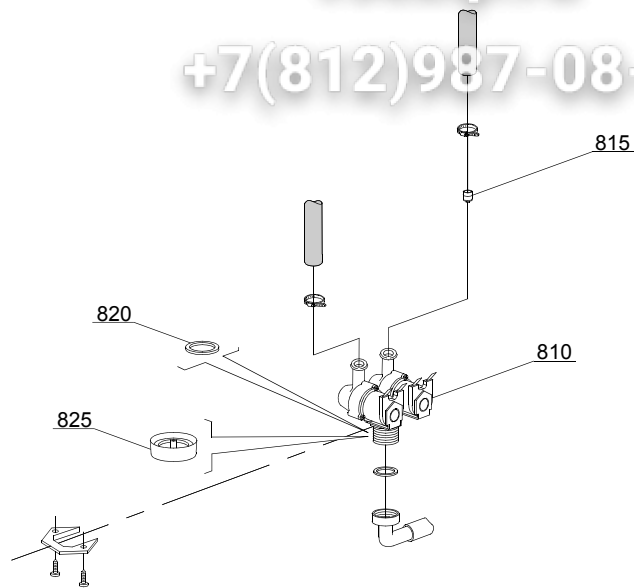
04_002_e

vsezip.ru

ID	P-code	Model	Type	Accessory	Voltage	Description
MODULE:Electric control components						
3900	75616		14U			Electric component panel
3905	10707/1		14U			0-90°C thermostat
3910	2000430		14U			Safety thermostat
3915	15620		14U			Bipolar relay in deviation
3920	15149		14U			Low noise filter
3920	15187		14U			Low noise filter
3925	15086		14U			Contactora 230V 50/60Hz 4C
3925	15086/B		14U			Contactora 240V 50Hz
3930	10300050		14U		A	25A/12A contactora - 230V 50/60HZ
3930	10300052		14U		I	36A/20A contactora - 230V 50/60HZ
3930	10300054		14U		I	25A/16A contactora - 230V 50/60HZ
3935	500551		14U			6 poles terminal board
3940	10300391		14U			3NA/1NC contactora 230V 50/60HZ
3940	10300392		14U			3NA/1NC contactora - 240Vac 50Hz
3945	10300117		14U		A	60/90/120" timer
3945	10300118		14U		I	60/90/120" timer - 60Hz
3945	10708/N		14U		A	90" timer with thermostop
3945	10708/L		14U		I	120" timer
3945	10708/T		14U		I	Timer 120" with thermostop
3945	10300122		14U		I	50/100/150" timer
3945	10300121		14U		I	60/120/180" timer
3950	15065/A		14U			Cable-fastener with screw
3955	16064/A		14U	ws		Regeneration timer
3960	15381		14U			160Va transformer
3965	50557		14U			60/100/180 Eco-2 electronic print card
3970	50562		14U			Temperature probe set

vsezip.ru

+7(812)987-08-81

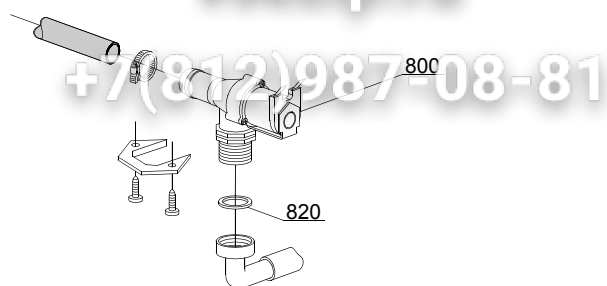


05_003_e

vsezip.ru

ID	P-code	Model	Type	Accessory	Voltage	Description
MODULE: Solenoid valve group						
810	15098		14U	cr,ws		Double solenoid valve - Ø10
815	15115		14U	cr,ws		Green pression solenoid valve
820	N.C.		14U	cr,ws		Pression reducing valve

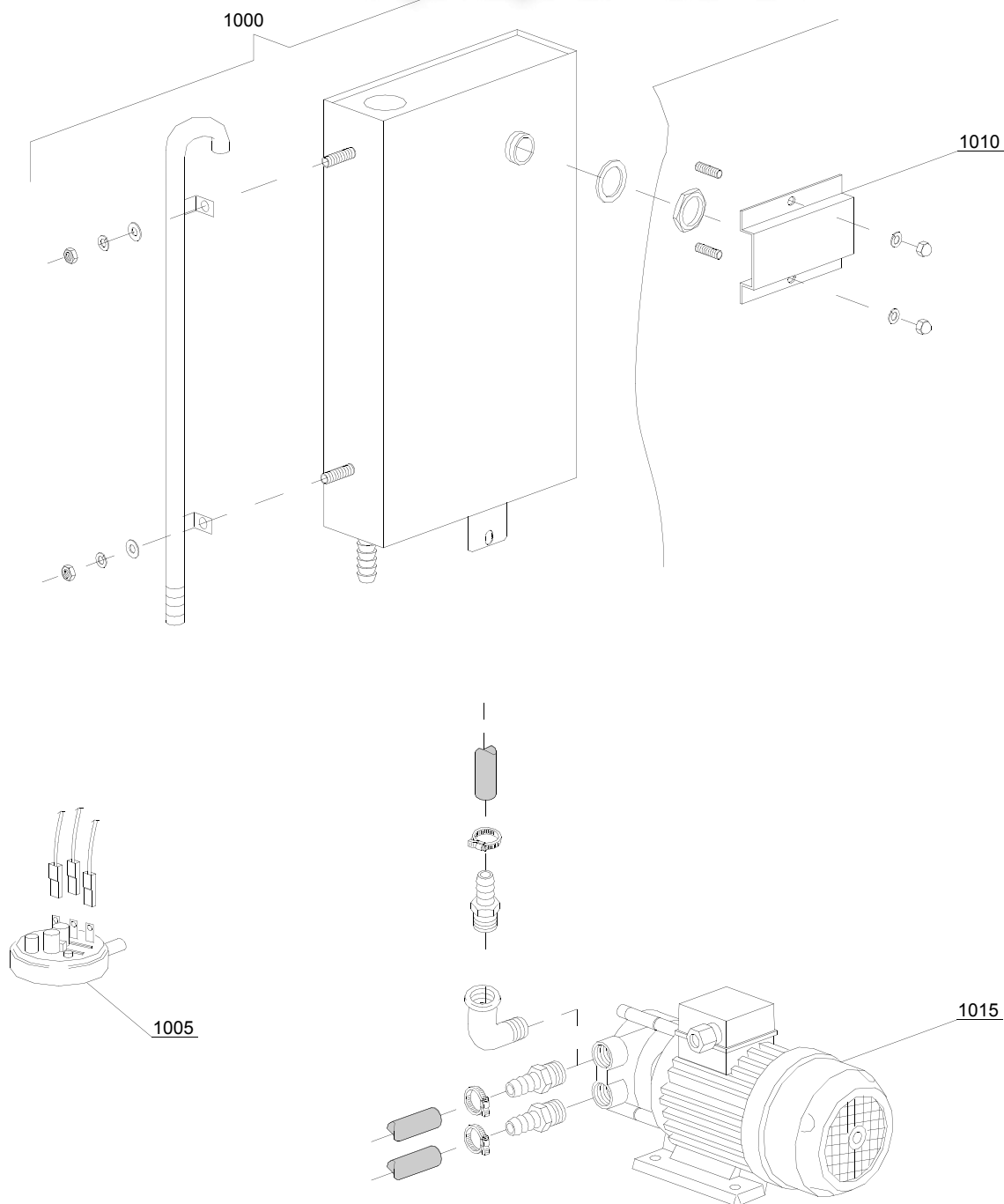
vsezip.ru



05_005_e

vsezip.ru

ID	P-code	Model	Type	Accessory	Voltage	Description
MODULE:Solenoid valve group						
800	30001000		14U			Single solenoid valve
820	N.C.		14U			Pression reducing valve



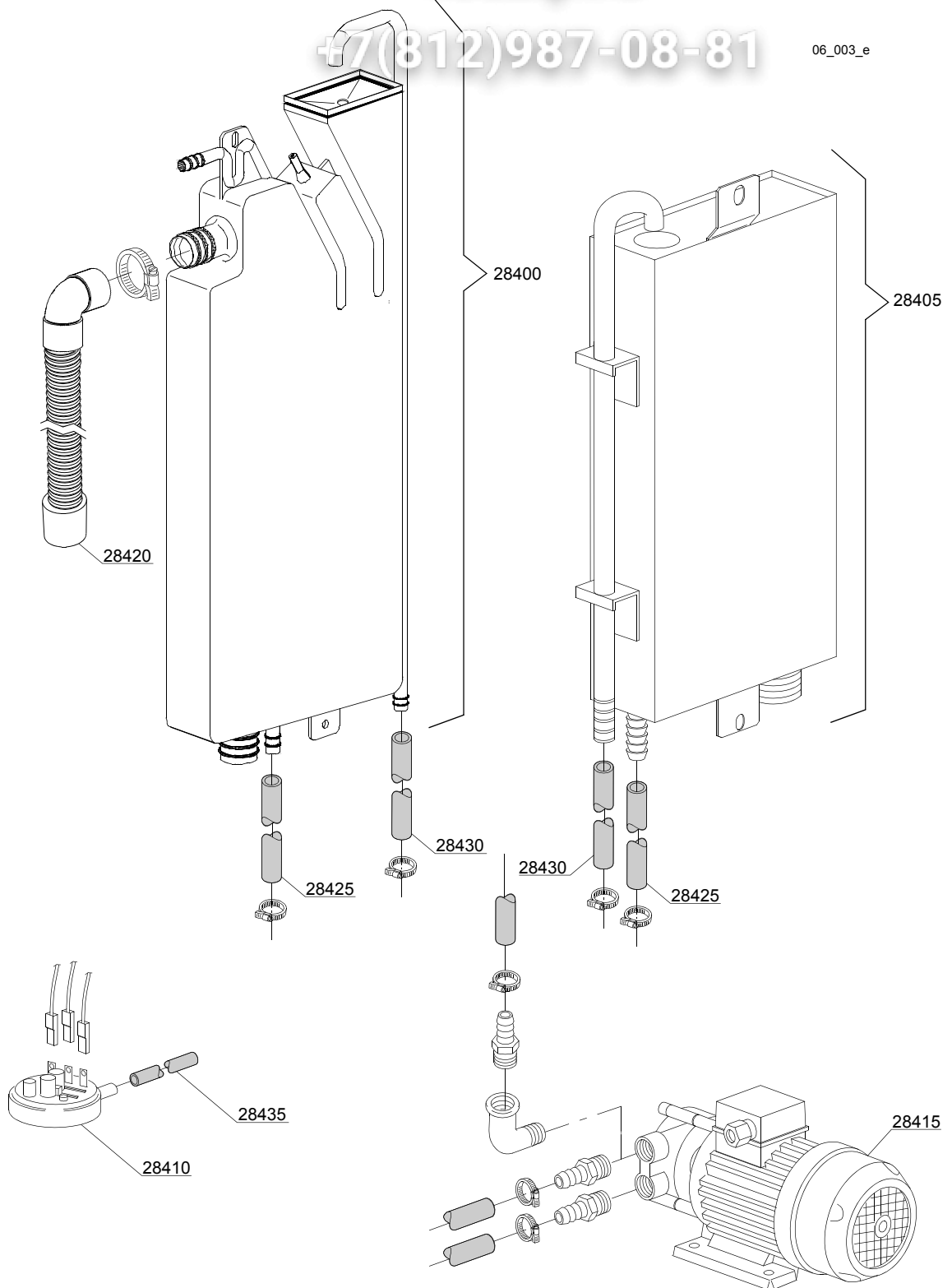
vsezip.ru

ID	P-code	Model	Type	Accessory	Voltage	Description
MODULE:Break Tank						
1000	15735		14U	bt		Break tank assembly
1005	10706/A		14U	bt		47-27 pressure switch
1010	15738		14U	bt		Overflow cover
1015	15100		14U	bt		Booster pump 0,5HP 220/240V

vsezip.ru

+7(812)987-08-81

06_003_e



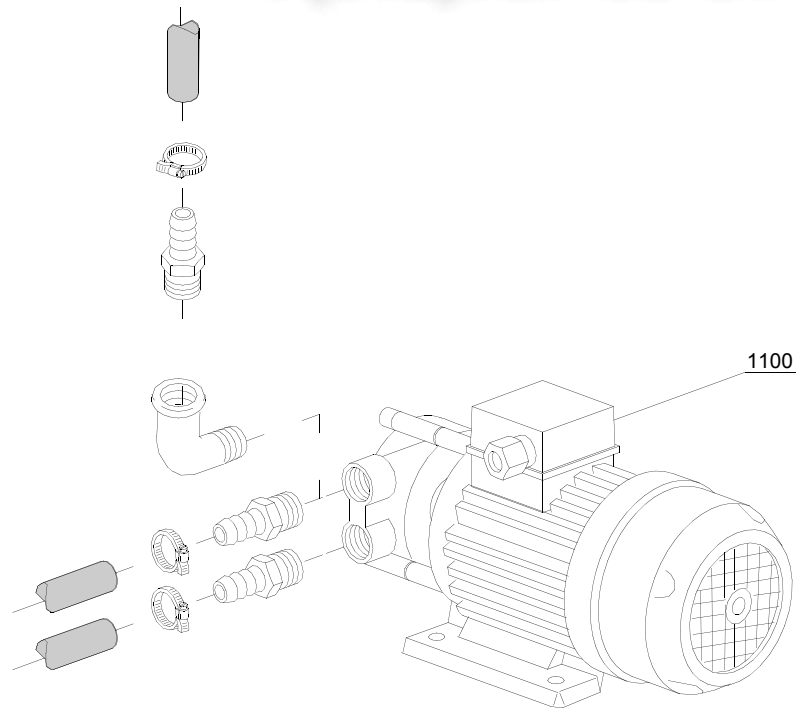
vsezip.ru

ID	P-code	Model	Type	Accessory	Voltage	Description
MODULE:Break Tank						
28400	15720		14U	bt		Break tank assembly
28405	15735		14U	bt		Break tank assembly
28410	10706/A		14U	bt		47-27 pressure switch
28415	15100		14U	bt		Booster pump 0,5HP 220/240V
28420	15721		14U	bt		BT long pipe L=1070
28420	15722		14U	bt		BT middle pipe L=920
28420	15723		14U	bt		BT small pipe L=920
28425	2907350		14U	bt		12x20 EPDM rubber hose
28430	2907352		14U	bt		PVC WRAS rubber hose
28435	14508		14U	bt		4,5x9 EPDM rubber hose

vsezip.ru

07_002_e

+7(812)987-08-81

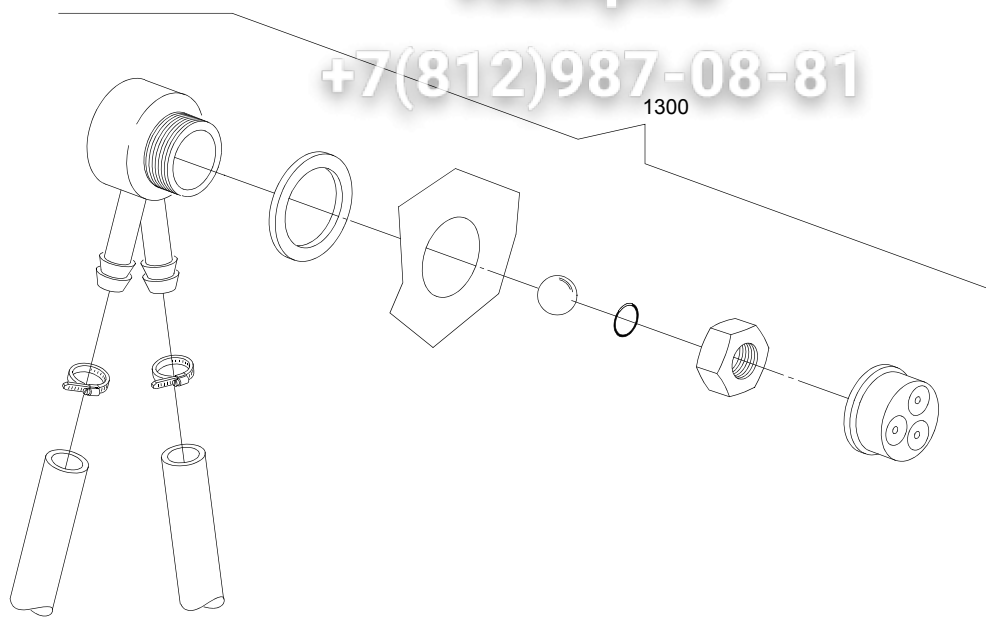


vsezip.ru

ID	P-code	Model	Type	Accessory	Voltage	Description
MODULE:Booster pump						
1100	15100		14U	bp		Booster pump 0,5HP 220/240V
1100	15100/A		14U	bp		Booster pump - 0,5HP 60Hz

vsezip.ru

+7(812)987-08-81



08_005_e

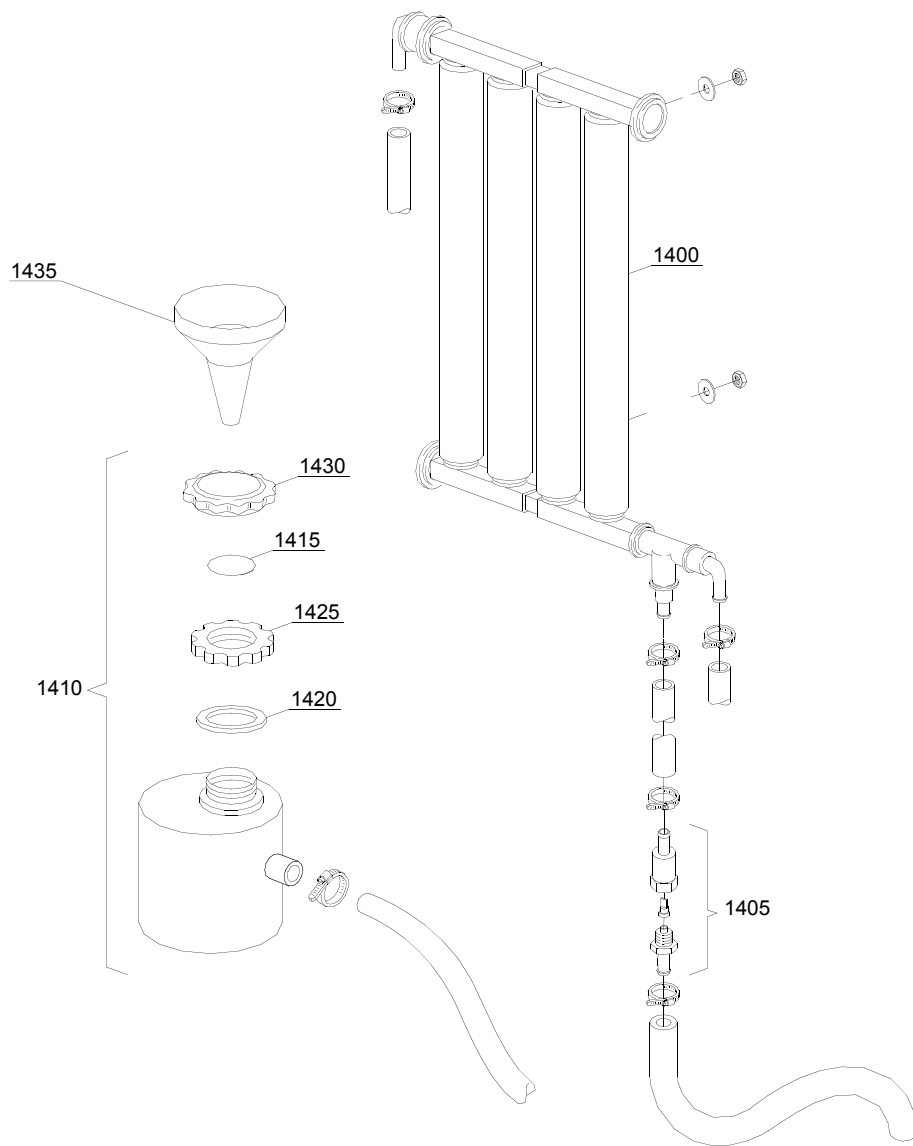
vsezip.ru

ID	P-code	Model	Type	Accessory	Voltage	Description
MODULE:DVGW						
1300	999900006		14U	dvgw		DVGW assembly

vsezip.ru

+7(812)987-08-81

09_001_e



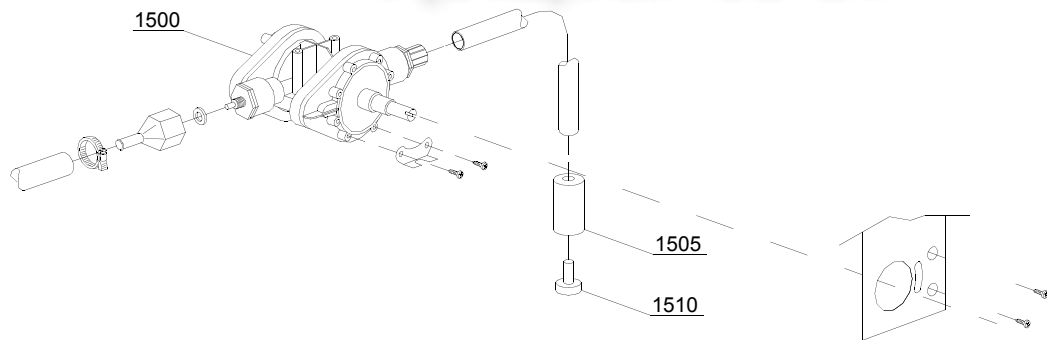
vsezip.ru

ID	P-code	Model	Type	Accessory	Voltage	Description
MODULE:Water softner group						
1400	16066		14U	ws		4 elements water softner
1405	16070		14U	ws		Nonreturn valve
1410	16065		14U	ws		Salt container
1415	16067/A		14U	ws		OR O-ring
1420	16067/B		14U	ws		O-ring
1425	16067/C		14U	ws		Ring nut
1430	16067/D		14U	ws		Plug
1435	16082		14U	ws		Funnel

vsezip.ru

+7(812)987-08-81

10_002_e

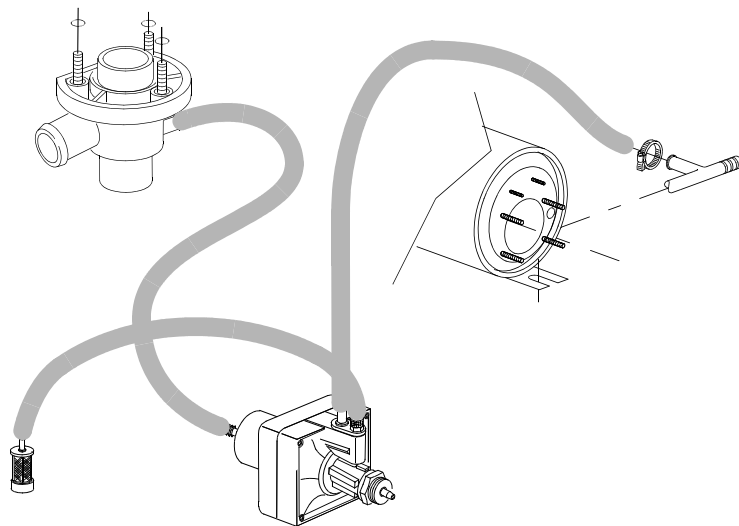
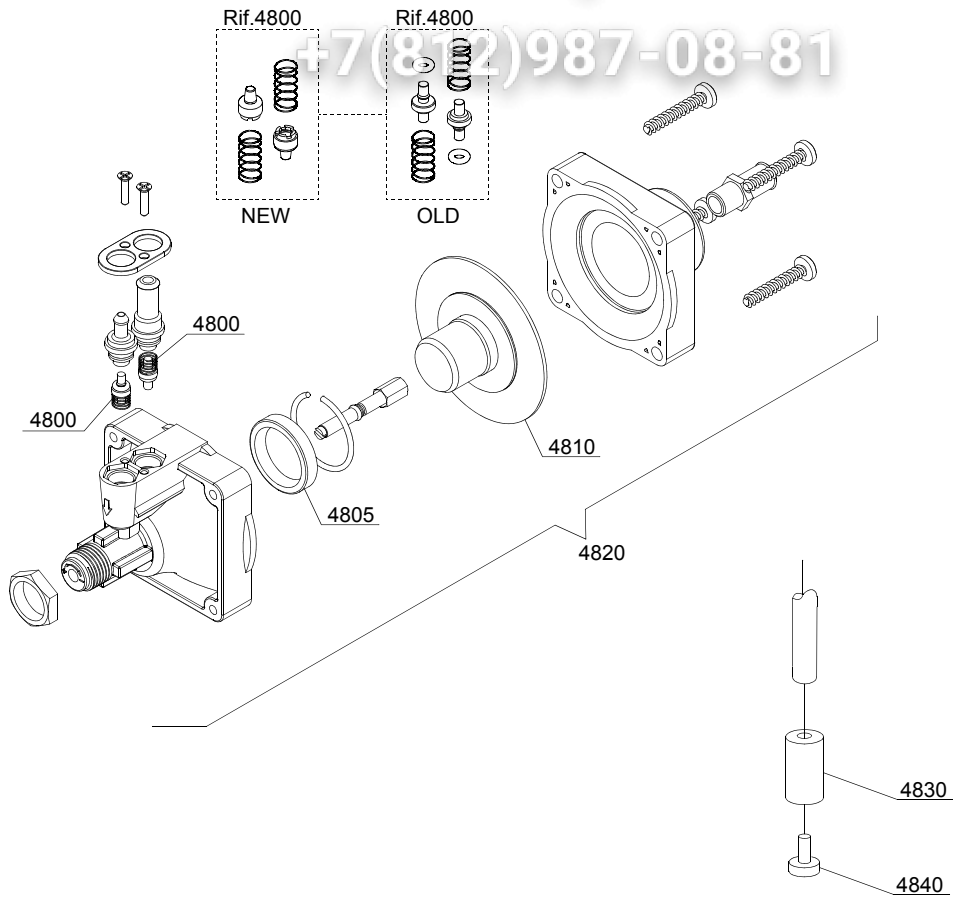


vsezip.ru

ID	P-code	Model	Type	Accessory	Voltage	Description
MODULE: Rinse aid dispenser group						
1500	10798		14U			Rinse aid dispenser
1505	12525		14U			Counter-weight
1510	15058		14U			Small filter
1515	10798/B		14U			Brass pipe fitting

vsezip.ru

+7(812)987-08-81



10_004_e

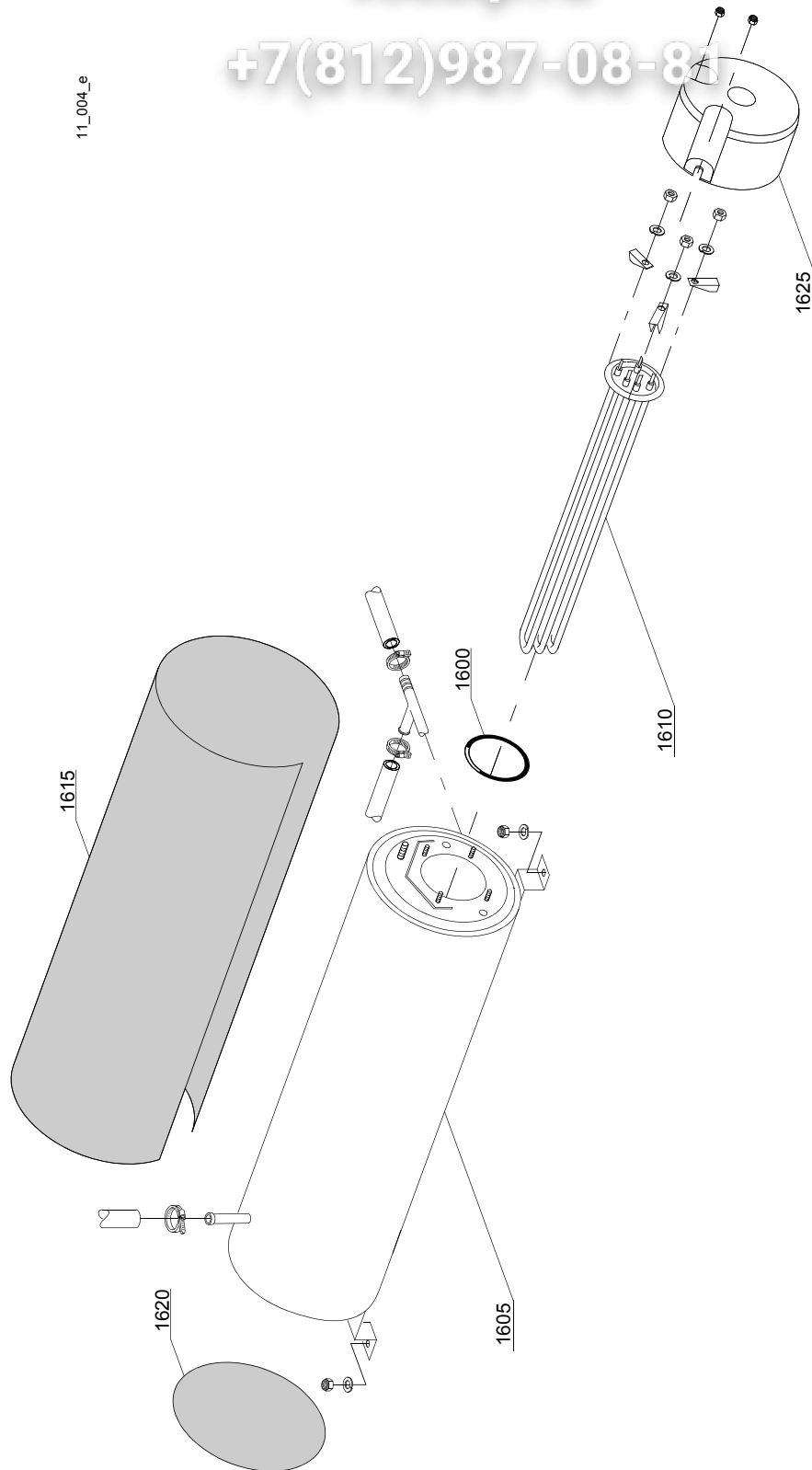
vsezip.ru

ID	P-code	Model	Type	Accessory	Voltage	Description
MODULE: Rinse aid dispenser group						
4800	10805		14U			Tecnopro non return valve
4805	10806		14U			Ø22 O-ring
4810	10807		14U			Membrane
4820	10799		14U			Rinse aid dispenser
4830	12525		14U			Counter-weight
4840	15058		14U			Small filter

vsezip.ru

+7(812)987-08-81

11_004_e

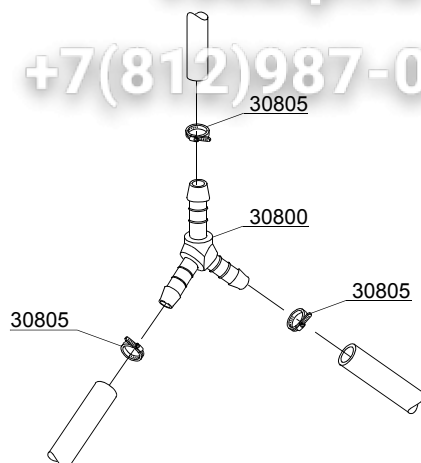


vsezip.ru

ID	P-code	Model	Type	Accessory	Voltage	Description
MODULE:Boiler group						
1600	13015		14U			6225 OR 160 NBR O-ring
1605	22002		14U			Boiler
1610	30001010		14U			6/6,53KW 230/240/3 heating element
1610	30001011		14U			9/9,8KW 230/240/3 heating element
1610	30001011/A		14U			12/13,07KW 230/240V 3 heating element
1610	30001011/C		14U			9KW 254/440V heating element
1615	30002030		14U			Insulation boiler
1620	75205		14U			Ø160 end piece
1625	75311		14U			Heating element cover

vsezip.ru

+7(812)987-08-81



12_003_e

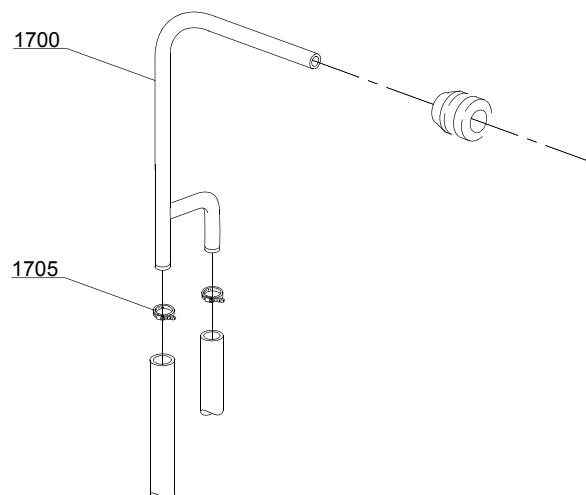
vsezip.ru

ID	P-code	Model	Type	Accessory	Voltage	Description
MODULE:3 ways connection						
30800	540090		14U	ws		Ø10 mm plastic 3 ways connection

vsezip.ru

12_007_e

+7(812)987-08-81

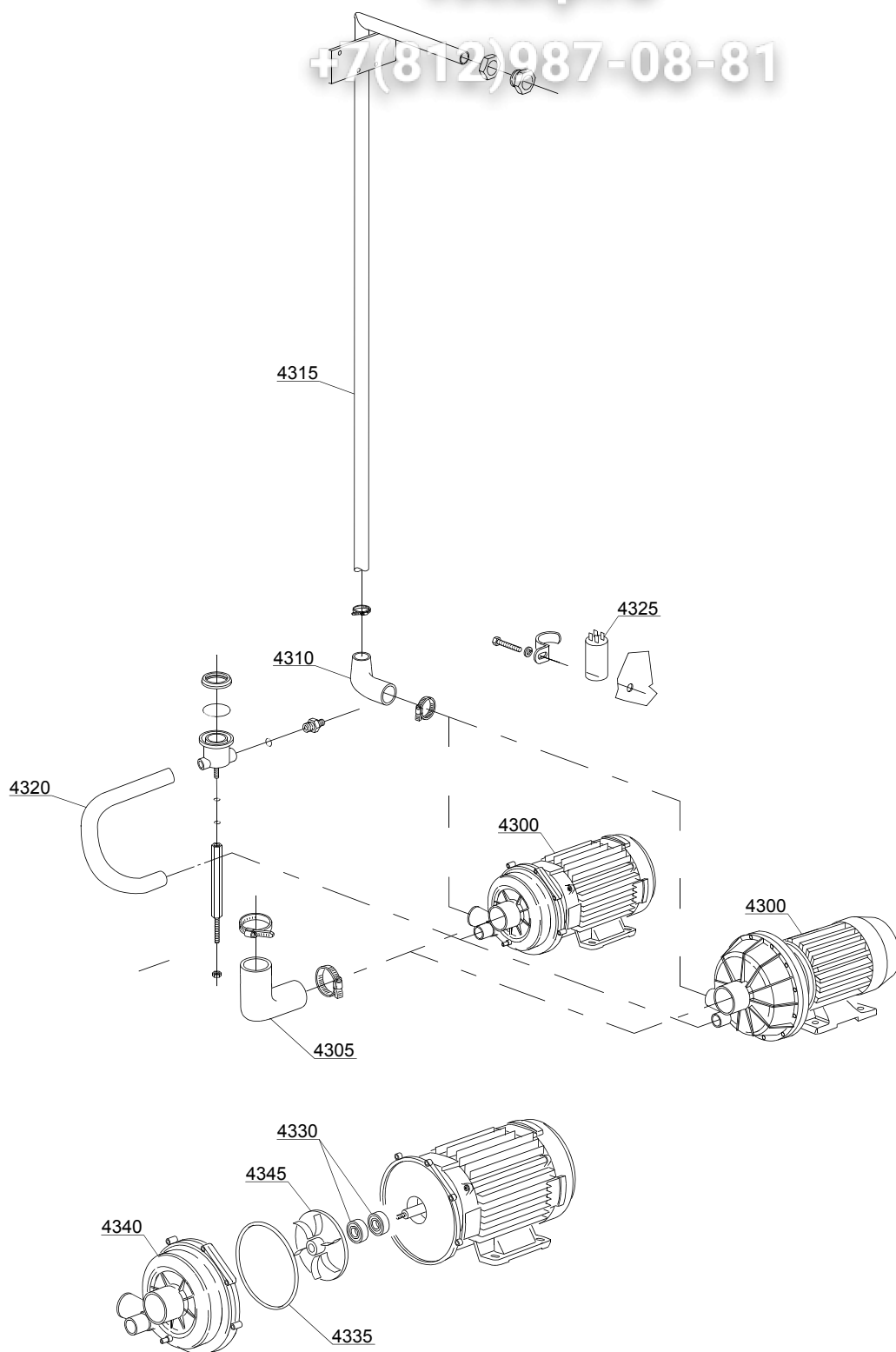


vsezip.ru

ID	P-code	Model	Type	Accessory	Voltage	Description
MODULE:Connection group						
1700	15045/B		14U			3 ways connection
1705	11807		14U			12/22 clamp

vsezip.ru

+7(812)987-08-81



13_103_e

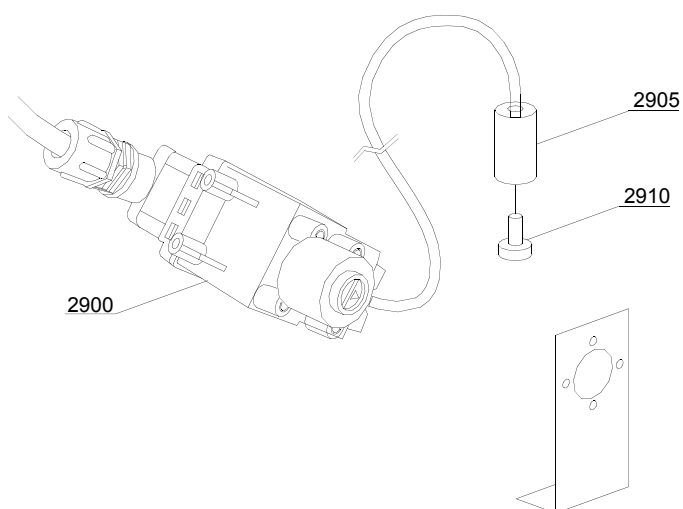
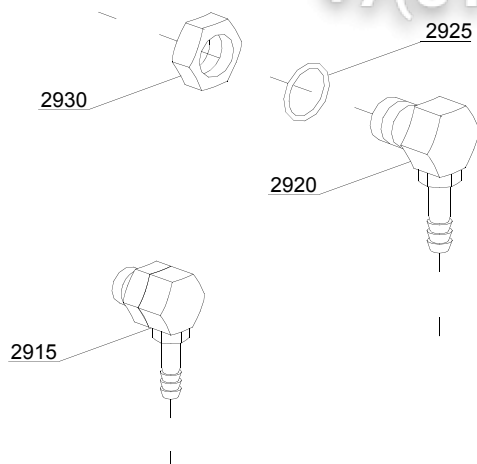
vsezip.ru

ID	P-code	Model	Type	Accessory	Voltage	Description
MODULE:Wash pump group						
4300	22009		14U		A	1,5Hp pump
4300	22036		14U		I	1,5Hp - 60Hz pump
4300	10300061		14U			1,5Hp pump - 440Vac 60Hz
4300	10300058		14U			1,5Hp pump - 220/380Vac 60Hz
4300	22041		14U			1,5Hp pump - 380/3Vac 50Hz
4305	15032/A		14U			Suction pipe coupling
4310	16170/M		14U			Delivery side pipe coupling
4315	75003		14U			Wash ramp
4320	15033/A		14U			Lower delivery wash pipe
4325	15081/A		14U			Condenser 16 uF
4330	15080/E		14U			Rotating seals
4335	15080/A		14U			OR O-ring
4340	15078		14U			Scroll
4345	22009/A		14U			Pump rotor

vsezip.ru

+7(812)987-08-81

14_002_e

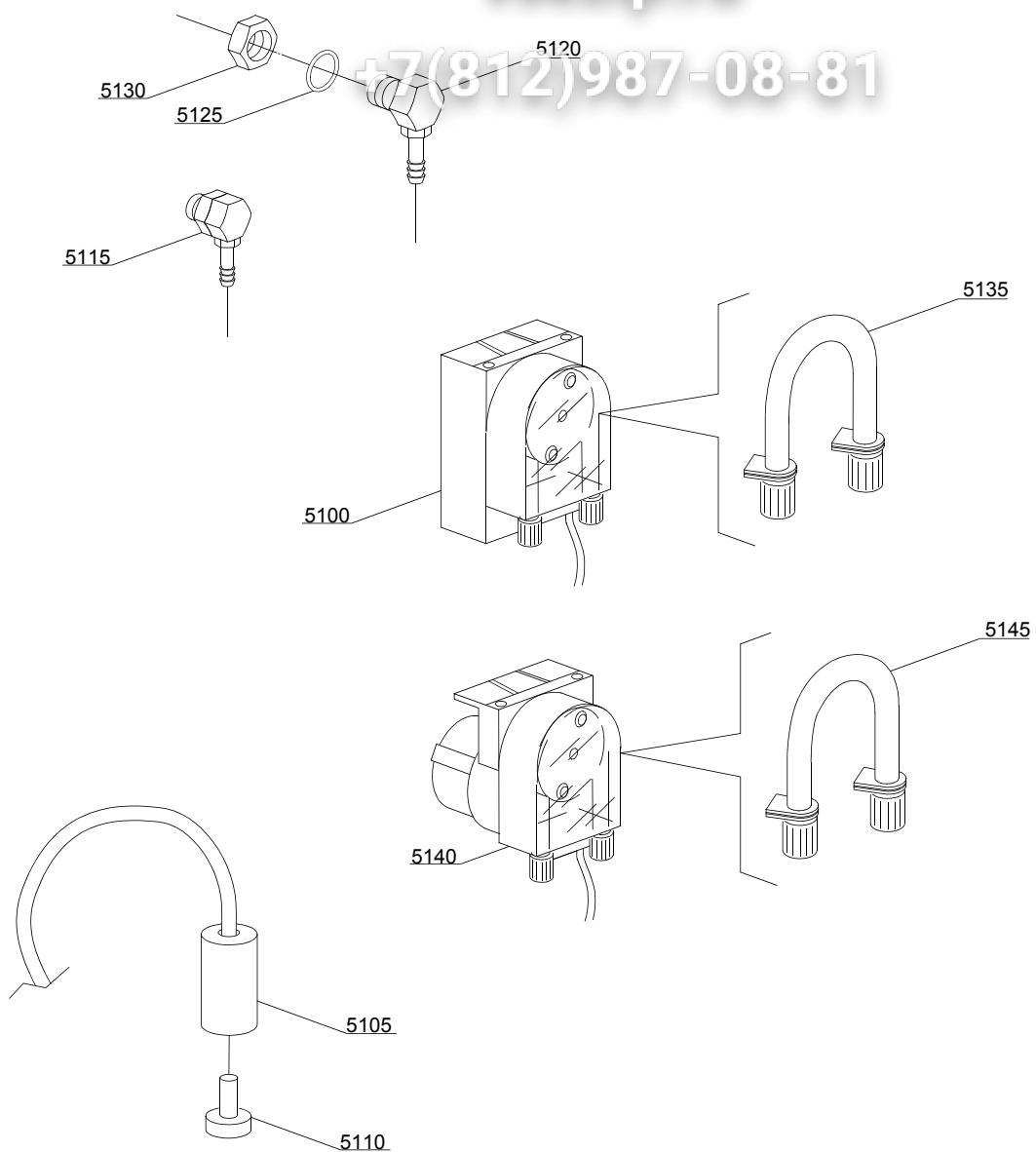


vsezip.ru

ID	P-code	Model	Type	Accessory	Voltage	Description
MODULE:Dosing detergent group						
2900	15108/L		14U	dd		Lang detergent pump
2905	12525		14U	dd		Counter-weight
2910	15058		14U	dd		Small filter
2915	15123		14U	dd		Compleat plastic injector
2920	15148		14U	dd		Steel injector
2925	15159		14U	dd		OR O-ring
2930	10200205		14U	dd		M12x1 stainless steel nut

vsezip.ru

+7(812)987-08-81



14_004_e

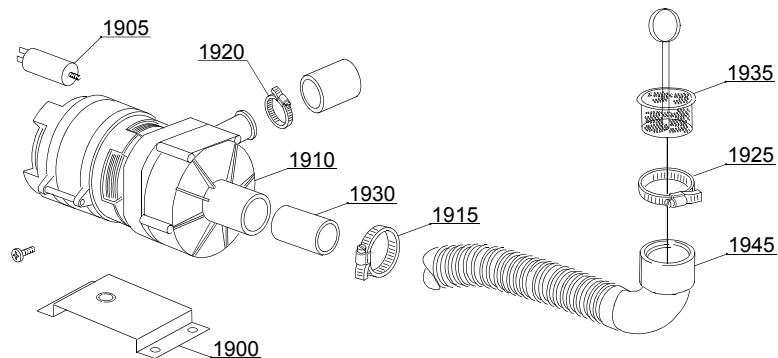
vsezip.ru

ID	P-code	Model	Type	Accessory	Voltage	Description
MODULE:Dosing detergent group						
5100	15985		14U	dd		Seko detergent pump
5105	12525		14U	dd		Counter-weight
5110	15058		14U	dd		Small filter
5115	15123		14U	dd		Complet plastic injector
5120	15148		14U	dd		Steel injector
5125	15159		14U	dd		OR O-ring
5130	10200205		14U	dd		M12x1 stainless steel nut
5135	15185		14U	dd		Seko thermoplastic pipe
5140	15985		14U	dd		Germac detergent pump
5145	15108/E		14U	dd		Germac thermoplastic pipe

vsezip.ru

+7(812)987-08-81

15_003_e

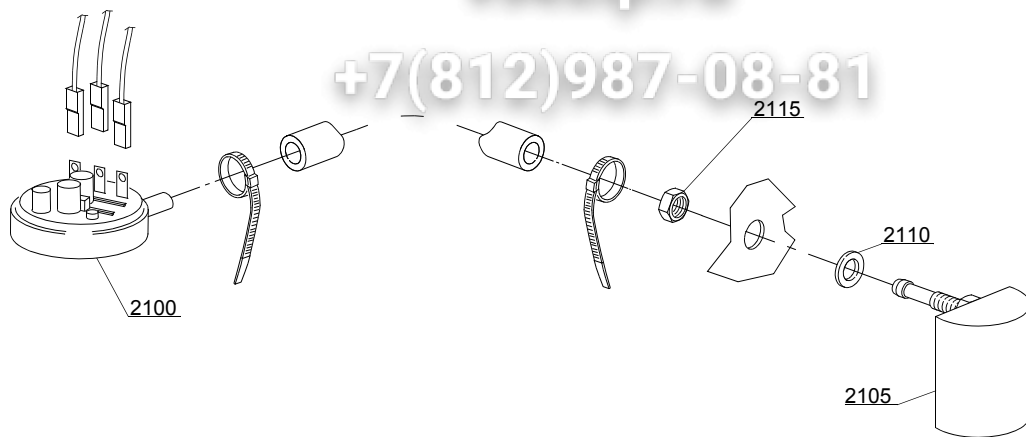


vsezip.ru

ID	P-code	Model	Type	Accessory	Voltage	Description
MODULE: Drain pump group						
1900	440122		14U	dp		Pump support
1905	10702		14U	dp		5 uF condenser
1910	10501/A		14U	dp		190W 230V drain pump
1910	10501/D		14U	dp		Drain pump
1915	11806		14U	dp		25/40 clamp
1920	11836		14U	dp		20/32 clamp
1925	11809		14U	dp		30/45 clamp
1930	15131		14U	dp		Suction pipe
1935	10200039		14U	dp		Flow drain filter

vsezip.ru

+7(812)987-08-81



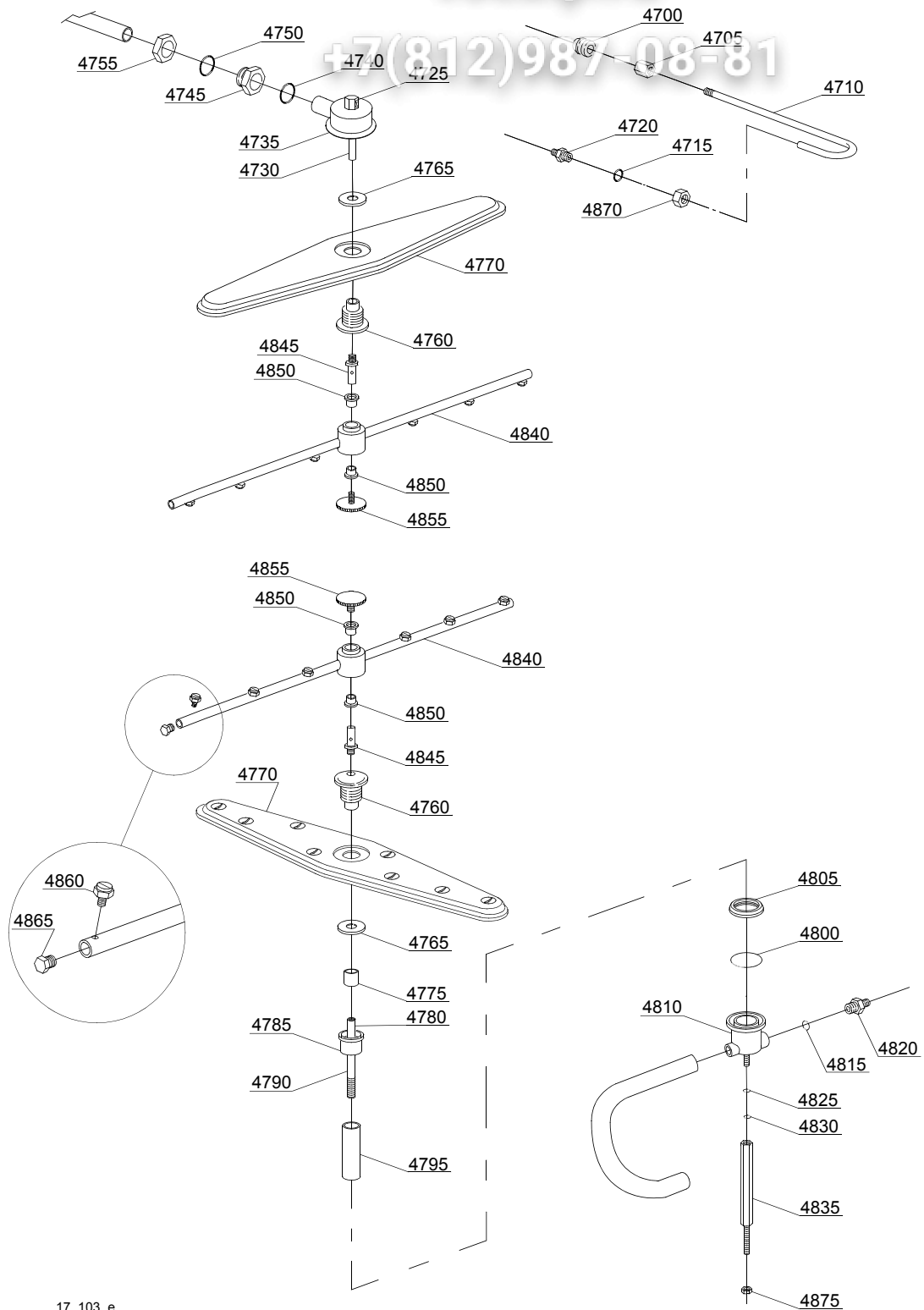
16_001_e

vsezip.ru

ID	P-code	Model	Type	Accessory	Voltage	Description
MODULE:Pressure switch group with air trap						
2100	75950		14U			86-59 pressure switch
2105	10911/C		14U			Air trap assembly
2110	13301		14U			O-ring
2115	11702		14U			M8 stainless steel nut

vsezip.ru

+7(812)987-08-81



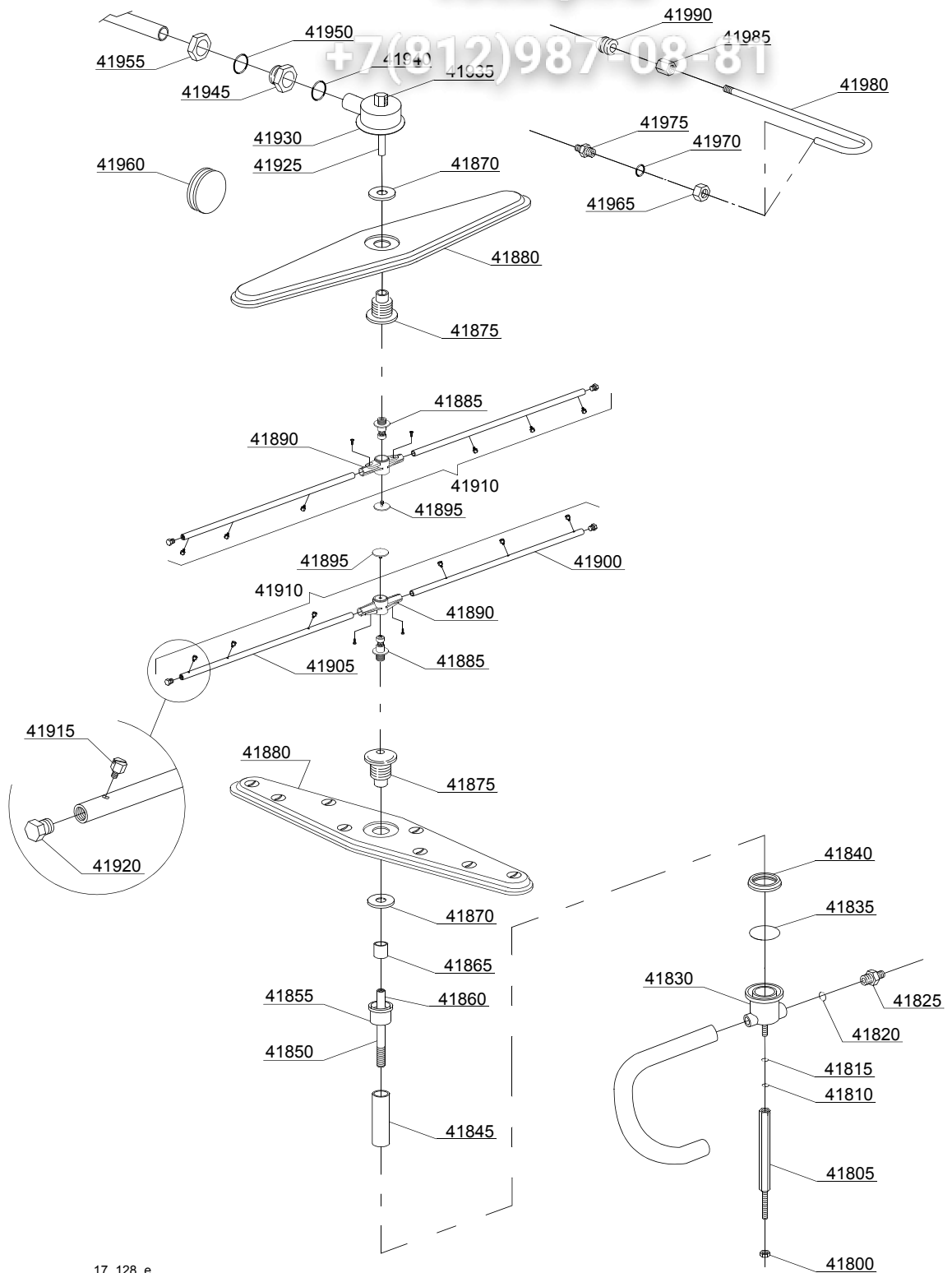
17_103_e

vsezip.ru

ID	P-code	Model	Type	Accessory	Voltage	Description
MODULE:Turret group with rotating arms						
4700	13304		14U			Pipe-pass O-ring
4705	12526		14U			Stainless steel nut coupling
4710	75066		14U			Top rinse pipe
4715	13003		14U			OR 112 NBR O-ring
4720	12006		14U			Ø10 rinse pipe fitting
4725	75319		14U			Rinse elbow
4730	75322		14U			Top rinse axle
4735	75067		14U			Stainless steel turret
4740	13004		14U			OR 3137 NBR O-ring
4745	15042		14U			1" 1/4 ring nut
4750	13008		14U			OR 147 NBR O-ring
4755	15042/A		14U			Nut
4760	75320		14U			Wash arm bearing
4765	75317		14U			Nut for wash arm bearing
4770	75915		14U			Stainless steel wash rotor
4775	75321		14U			Spacer for hub
4780	75315		14U			Rinse axle extension
4785	15040/A		14U			Lower wash bell-shape
4790	15304		14U			Lower extension axle
4795	15039		14U			Steel pipe coupling
4800	13022		14U			OR 4150 O-ring
4805	15038		14U			Ring nut connection
4810	15041/A		14U			Grey wash/rinse lower distributor
4815	13003		14U			OR 112 NBR O-ring
4820	12506		14U			Ø10 rubber-holder
4825	11185		14U			8x16 steel plane washer
4830	13313		14U			8x24x2 O-ring
4835	70303		14U			Lower tie rod
4840	75918		14U			Top/lower rinse arm complete
4845	75323		14U			Rinse axle
4850	13330		14U			Sliding washer
4855	11101/B		14U			Stainless steel group fixing screw
4860	560018		14U			Stainless steel rinse nozzle
4865	560017		14U			Rinse arm plug
4870	12006/A		14U			Ø10 pipe fitting 3/8x3,5 nut 19 hexagonal
4875	11702		14U			M8 stainless steel nut
4880	13316/A		14U			DVGW hole O-ring

vsezip.ru

+7(812)987-08-81



17_128_e

vsezip.ru

ID	P-code	Model	Type	Accessory	Voltage	Description
MODULE:Turret group with rotating arms						
41800	11702		14U			M8 stainless steel nut
41805	70303		14U			Lower tie rod
41810	13313		14U			8x24x2 O-ring
41815	11185		14U			8x16 steel plane washer
41820	13003		14U			OR 112 NBR O-ring
41825	12506		14U			Ø10 rubber-holder
41830	15041/A		14U			Grey wash/rinse lower distributor
41835	13022		14U			OR 4150 O-ring
41840	15038		14U			Ring nut connection
41850	15304		14U			Lower extension axle
41855	15040/A		14U			Lower wash bell-shape
41860	75315		14U			Rinse axle extension
41865	75321		14U			Spacer for hub
41870	75317		14U			Nut for wash arm bearing
41875	75320		14U			Wash arm bearing
41880	75915		14U			Stainless steel wash rotor
41885	10651		14U			Rinse axle
41890	10650		14U			Rinse arm
41895	10652		14U			Rinse arm screw
41900	10657		14U			Right rinse arm - stainless steel nozzle
41905	10658		14U			Left rinse arm - stainless steel nozzle
41910	75918		14U			Top/lower rinse arm complete
41915	560018		14U			Stainless steel rinse nozzle
41920	560017		14U			Rinse arm plug
41925	75322		14U			Top rinse axle
41930	75067		14U			Stainless steel turret
41935	75319		14U			Rinse elbow
41940	13004		14U			OR 3137 NBR O-ring
41945	15042		14U			1" 1/4 ring nut
41950	13008		14U			OR 147 NBR O-ring
41955	11101/B		14U			Stainless steel group fixing screw
41960	13316/A		14U			DVGW hole O-ring
41965	12006/A		14U			Ø10 pipe fitting 3/8x3,5 nut 19 hexagonal
41970	13003		14U			OR 112 NBR O-ring
41975	12006		14U			Ø10 rinse pipe fitting
41980	75066		14U			Top rinse pipe
41985	12526		14U			Stainless steel nut coupling
41990	13304		14U			Pipe-pass O-ring