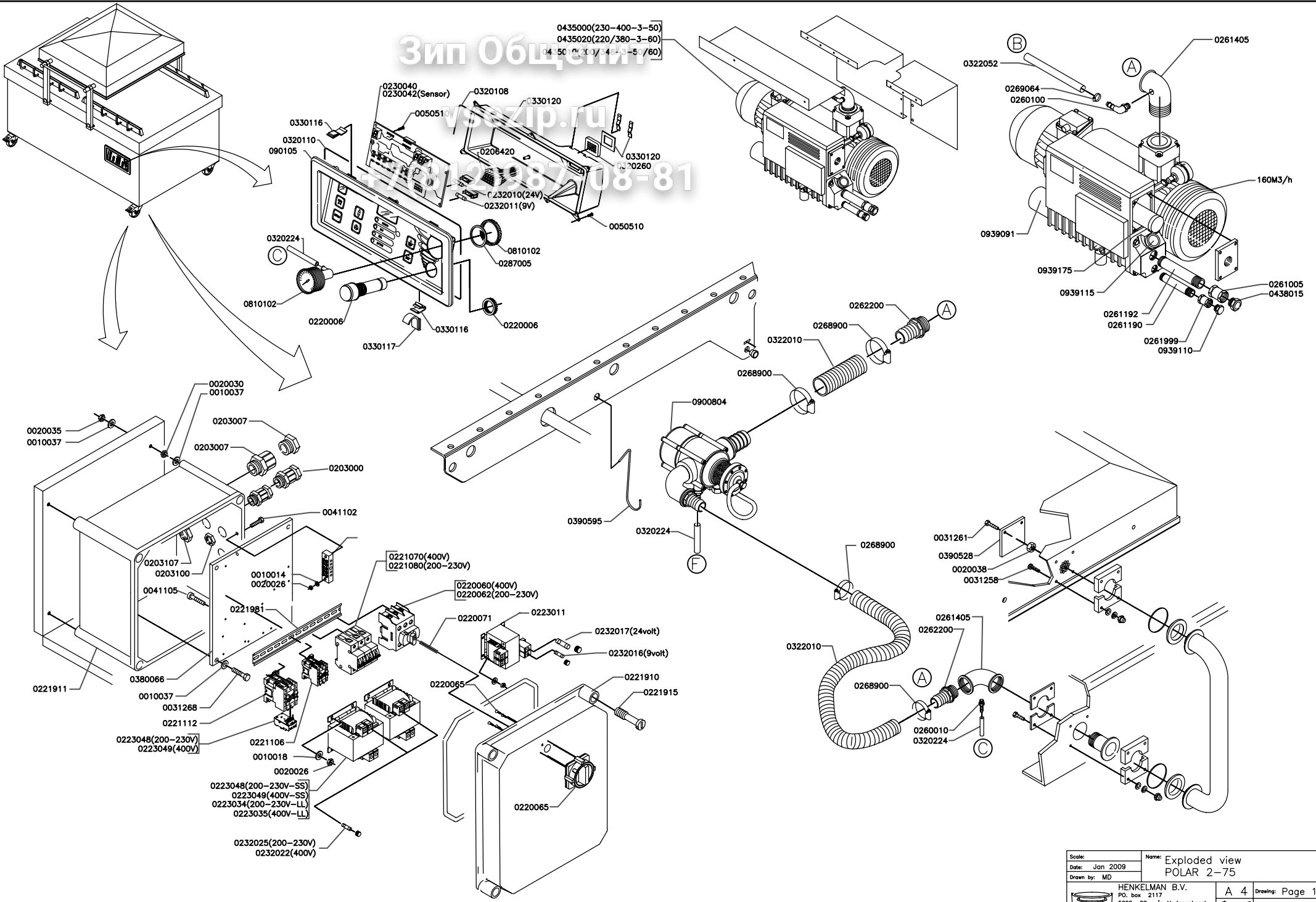


Зип Обществу

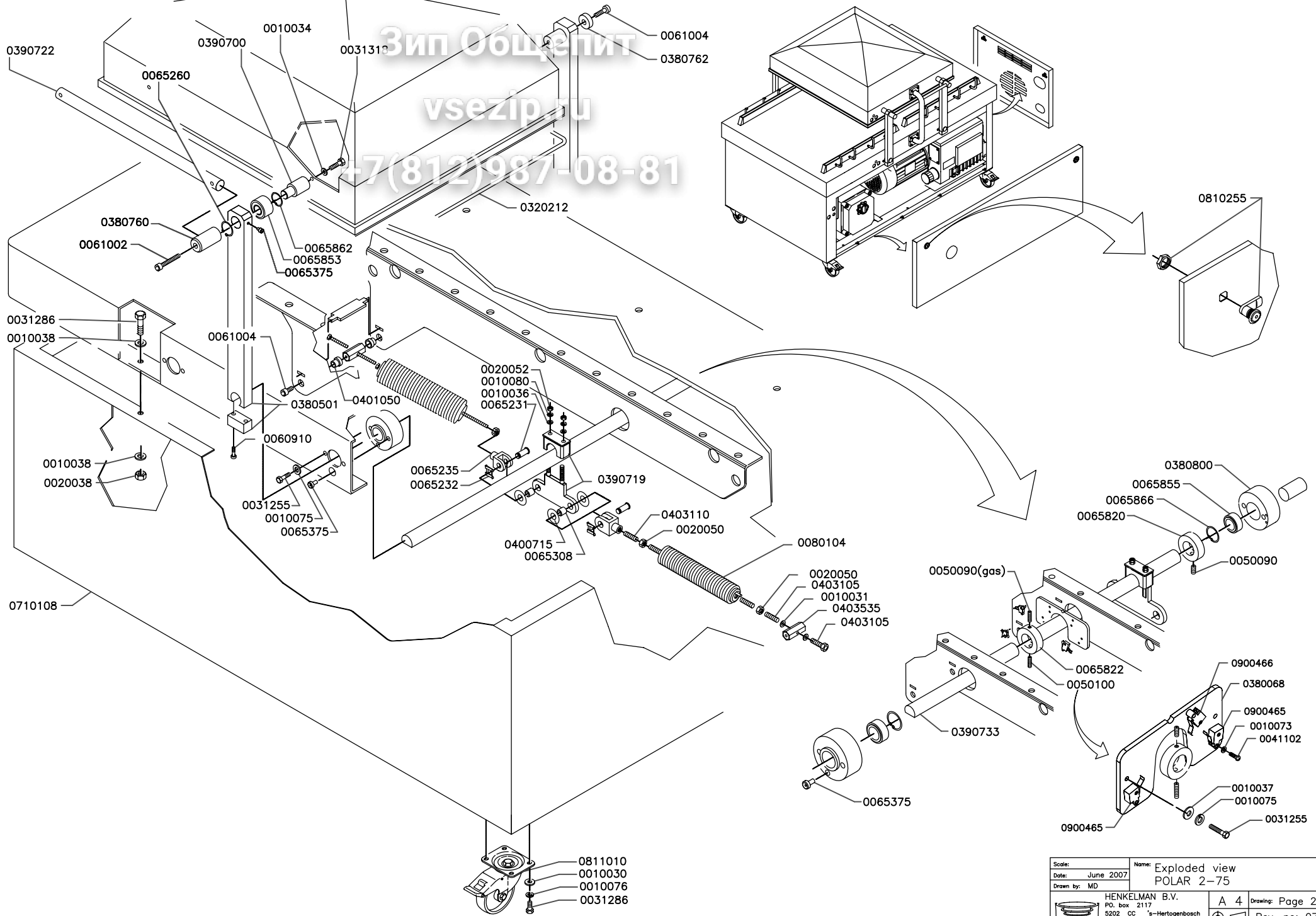
0435000(230-400-3-50)
 0435020(220/380-3-60)
 0435040(220/400-3-5/60)

zip.ru
 7-812-387-08-81



Scale:	Name: Exploded view
Date: Jan 2009	POLAR 2-75
Drawn by: MD	
HENKELMAN B.V. P.O. box 2117 5202 CC 's-Hertogenbosch Tel. ++31(0)73 - 6213671 Fax ++31(0)73 - 6221318 The Netherlands	
A 4	Drawing: Page 1-4
Rev. no: 060	

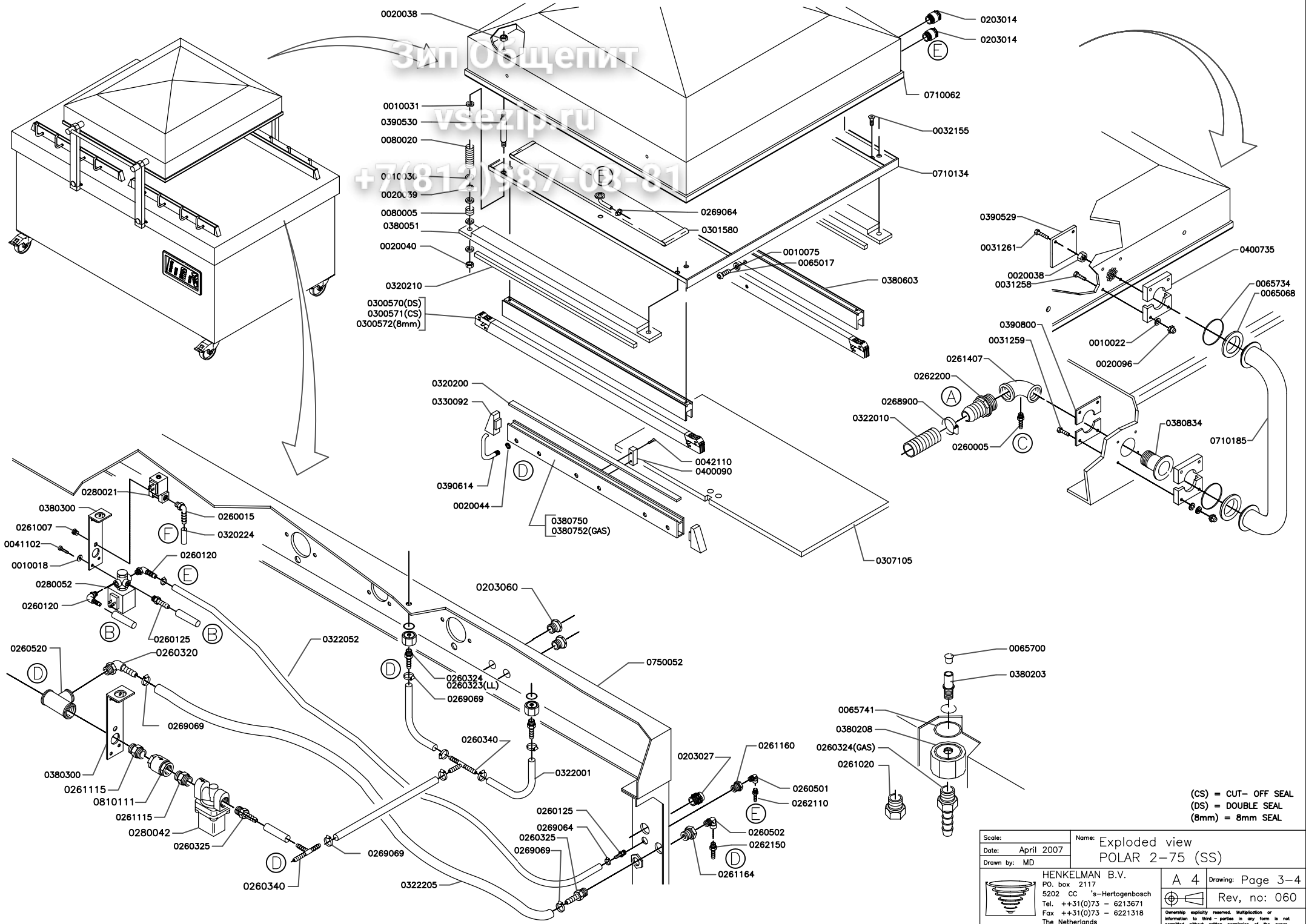
Зип Общепит
 vsezip.ru
 +7(812)987-08-81



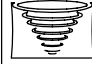
Scale:	Name:
Date: June 2007	Exploded view
Drawn by: MD	POLAR 2-75
HENKELMAN B.V.	
P.O. box 2117	
5202 CC s-Hertogenbosch	
Tel. ++31(0)73 - 6213671	
Fax ++31(0)73 - 6221318	
The Netherlands	
A 4	Drawing: Page 2-4
Rev, no: 070	

Ownership liability reserved. Multiplication or
 information in third parties in any form is not
 permitted without written permission of the owner.

Зип Овщепит
 vsezip.ru
 +7(812) 987-03-81

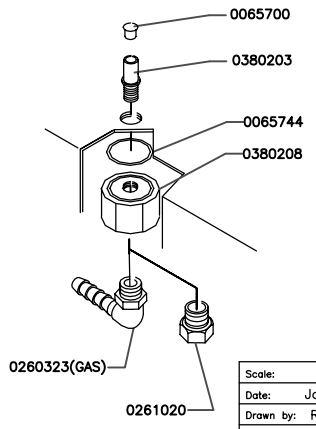
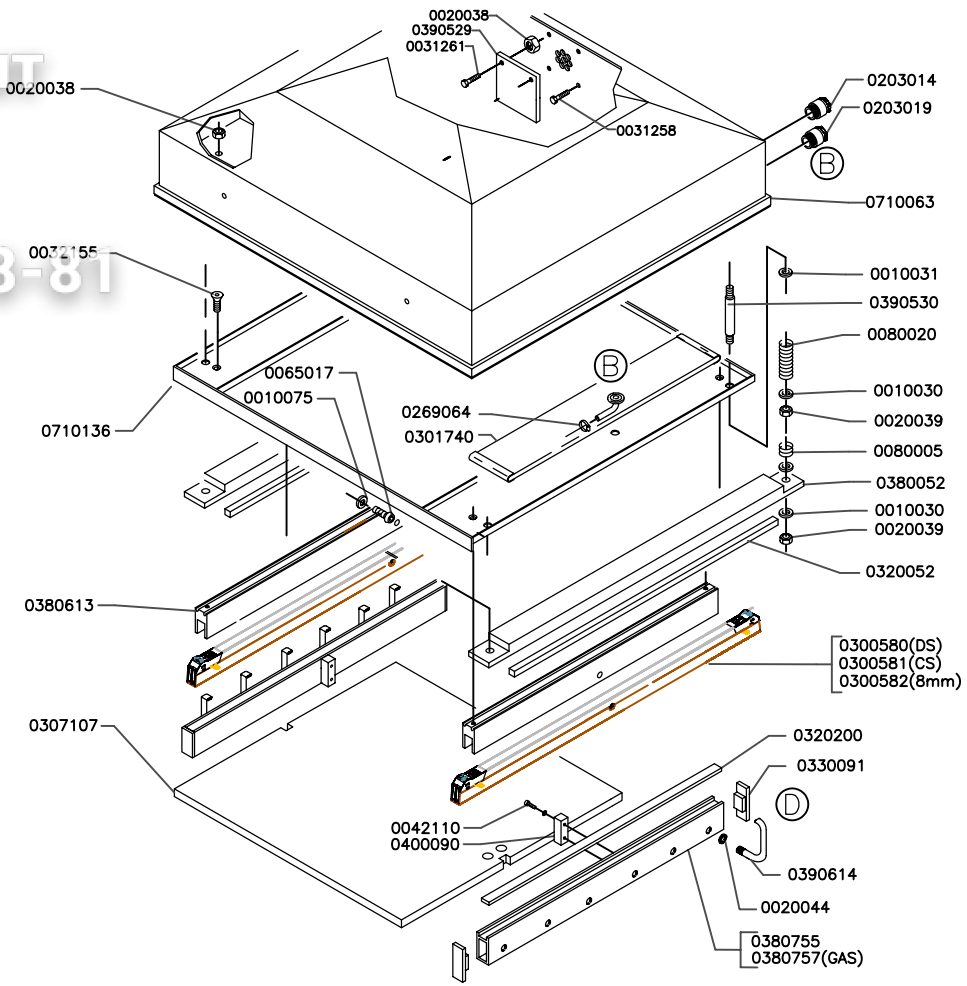
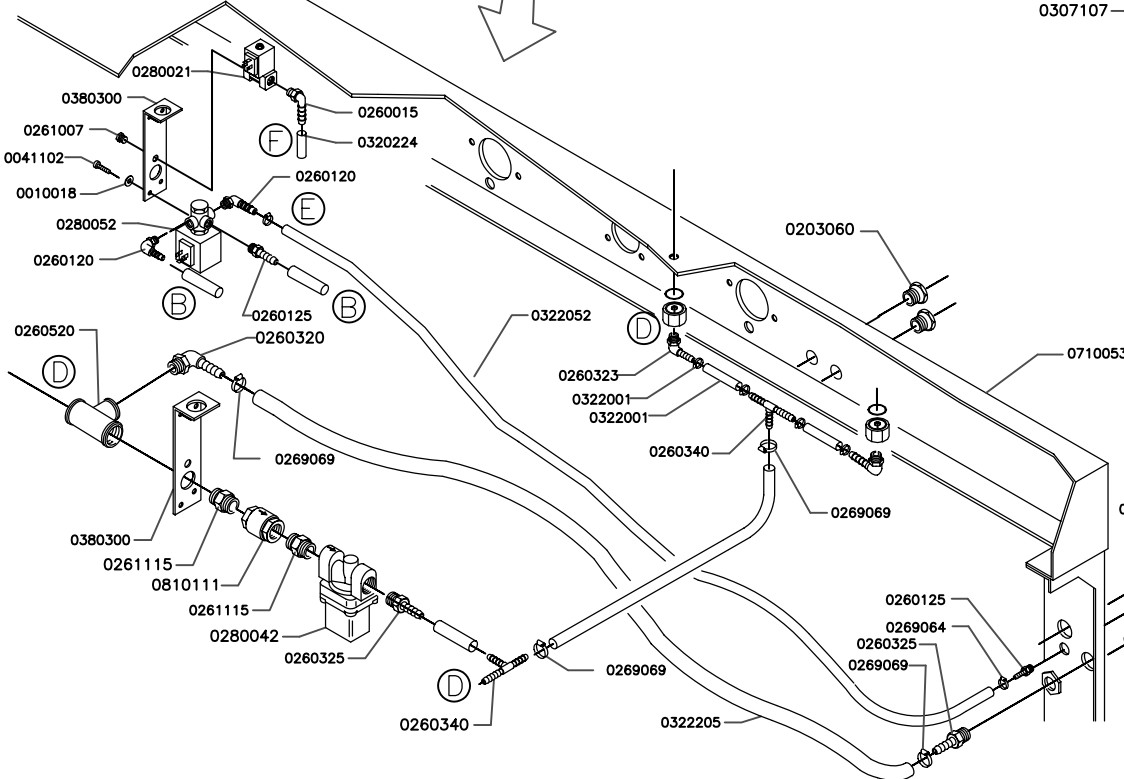
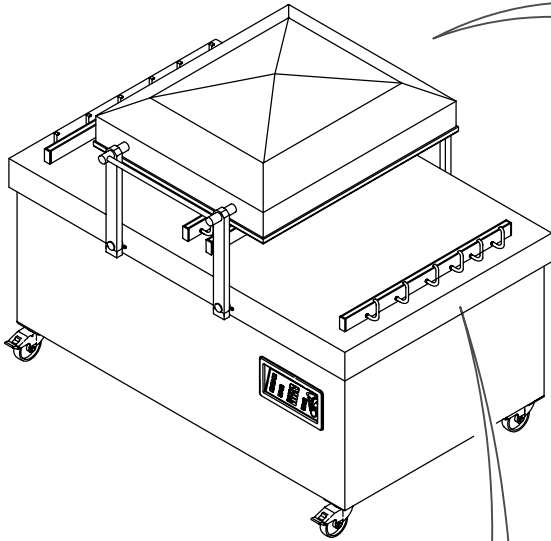


(CS) = CUT-OFF SEAL
 (DS) = DOUBLE SEAL
 (8mm) = 8mm SEAL

Scale:	Name: Exploded view
Date: April 2007	POLAR 2-75 (SS)
Drawn by: MD	
 HENKELMAN B.V. P.O. box 2117 5202 CC 's-Hertogenbosch Tel. ++31(0)73 - 6213671 Fax ++31(0)73 - 6221318 The Netherlands	A 4 Drawing: Page 3-4 Rev. no: 060
	<small>Ownership explicitly reserved. Multiplication or information to third parties in any form is not permitted without written permission of the owner.</small>

Зип Общепит
vsezip.ru

+7(812)987-08-81



(CS) = CUT-OFF SEAL
(DS) = DOUBLE SEAL
(8mm) = 8mm SEAL

Scale:	Name: Exploded view
Date: Jan 2009	POLAR 2-75 (LL)
Drawn by: RVD	
HENKELMAN B.V. P.O. box 2117 5202 CC 's-Hertogenbosch Tel. ++31(0)73 - 6213671 Fax ++31(0)73 - 6221318 The Netherlands	A 4 Drawing: Page 4-4
	Rev. no:
<small>Ownership explicitly reserved. Multiplication or information to third parties in any form is not permitted without written permission of the owner.</small>	