



G 250

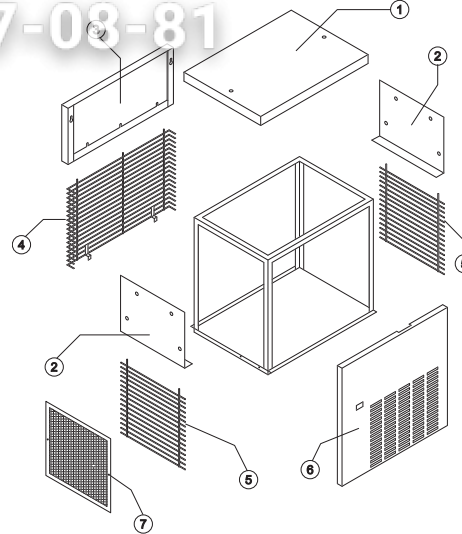
Зип Общепит
vsezip.ru

LIST OF THE EXPLODED VIEWS

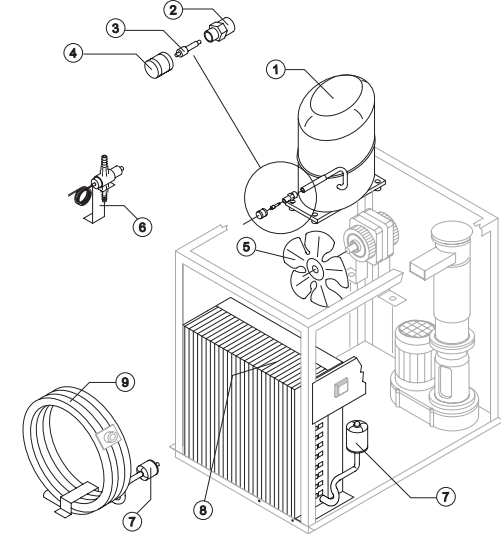
+7(812)987-08-81



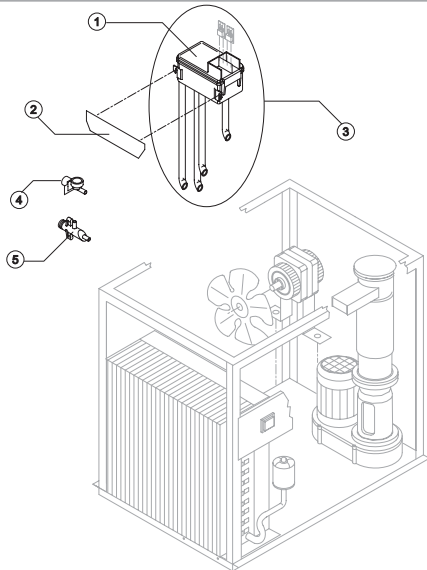
SHELL ASSY



COOLING SYSTEM

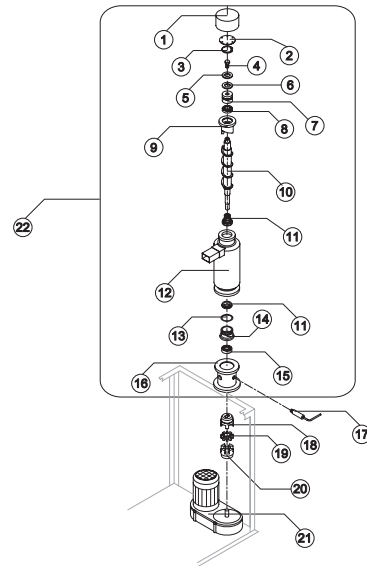


HYDRAULIC CIRCUIT



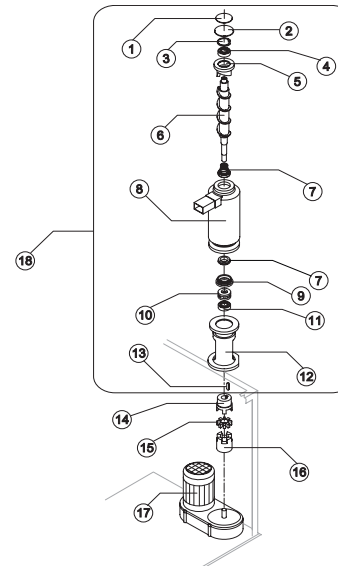
EVAPORATOR

From s/n.162640 up Today. S/n. 157441 included.

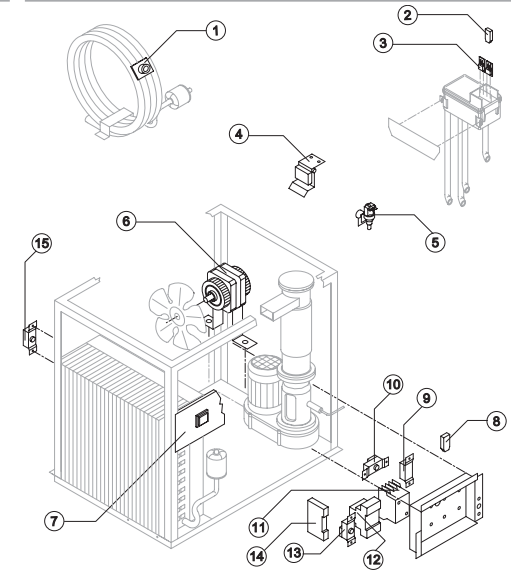


EVAPORATOR

Till s/n.162639



ELECTRIC PARTS



Rev. 1 - 12/6/2002



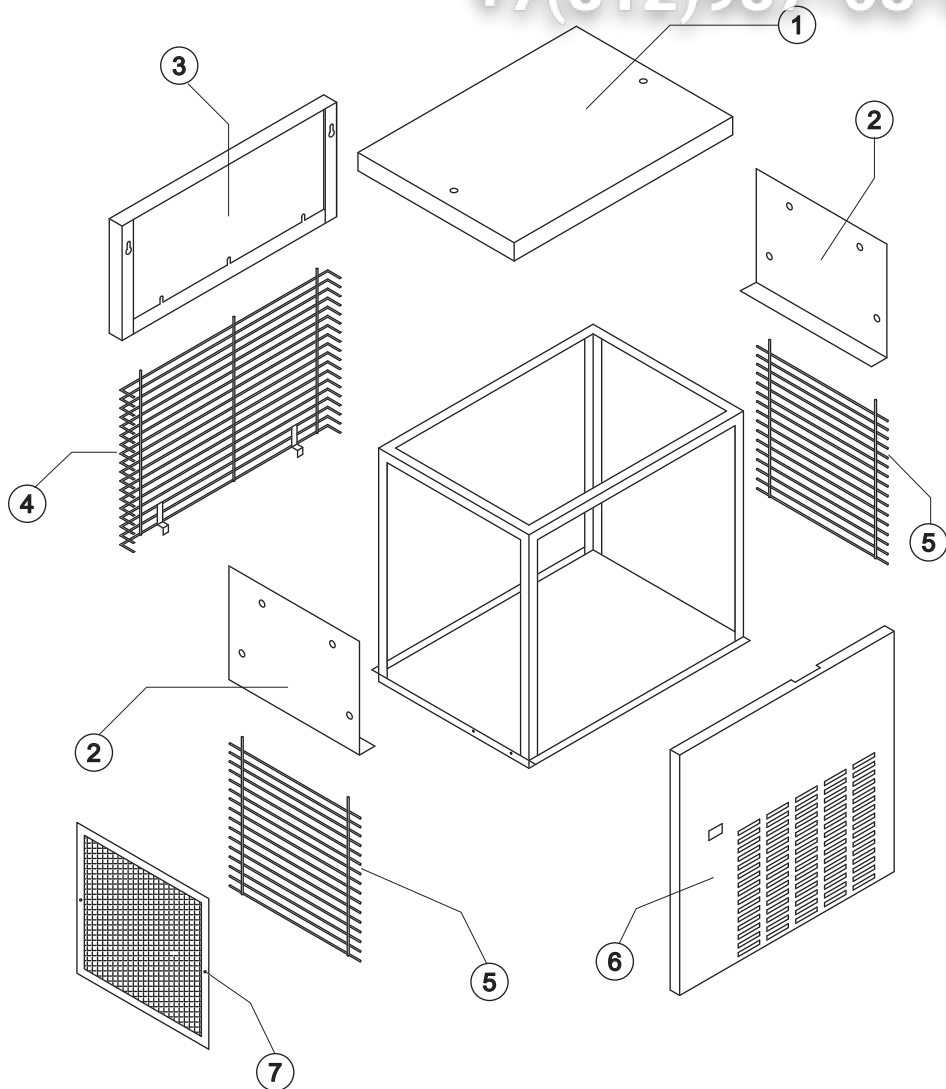
G 250

Зип Общепит

vsezip.ru

SHELL ASSY

+7(812)987-08-81



Common Parts

Ref.	Spare Description	Code
1	Top	22667
2	Right/Left Panel	22663
3	Back Panel	22665
4	Back grid	D12060
5	Lateral grid	D12061
6	Front Panel Assembly	C22662B

Parts for Air-Cooled Version Only

Ref.	Spare Description	Code
7	Filter	18163

Rev. 1 - 12/6/2002



G 250

Зип Общепит

vsezip.ru

COOLING SYSTEM

+7(812)987-08-81

Common Parts

Ref.	Spare Description	Code
1	Compressor	See Table
2	Vacuum-Charge Valve Body	14007
3	Vacuum-Charge Valve Device	14005
4	Vacuum-Charge Valve Plug	14006
7	Solid Core Drier	14089

Parts for Air-Cooled Version Only

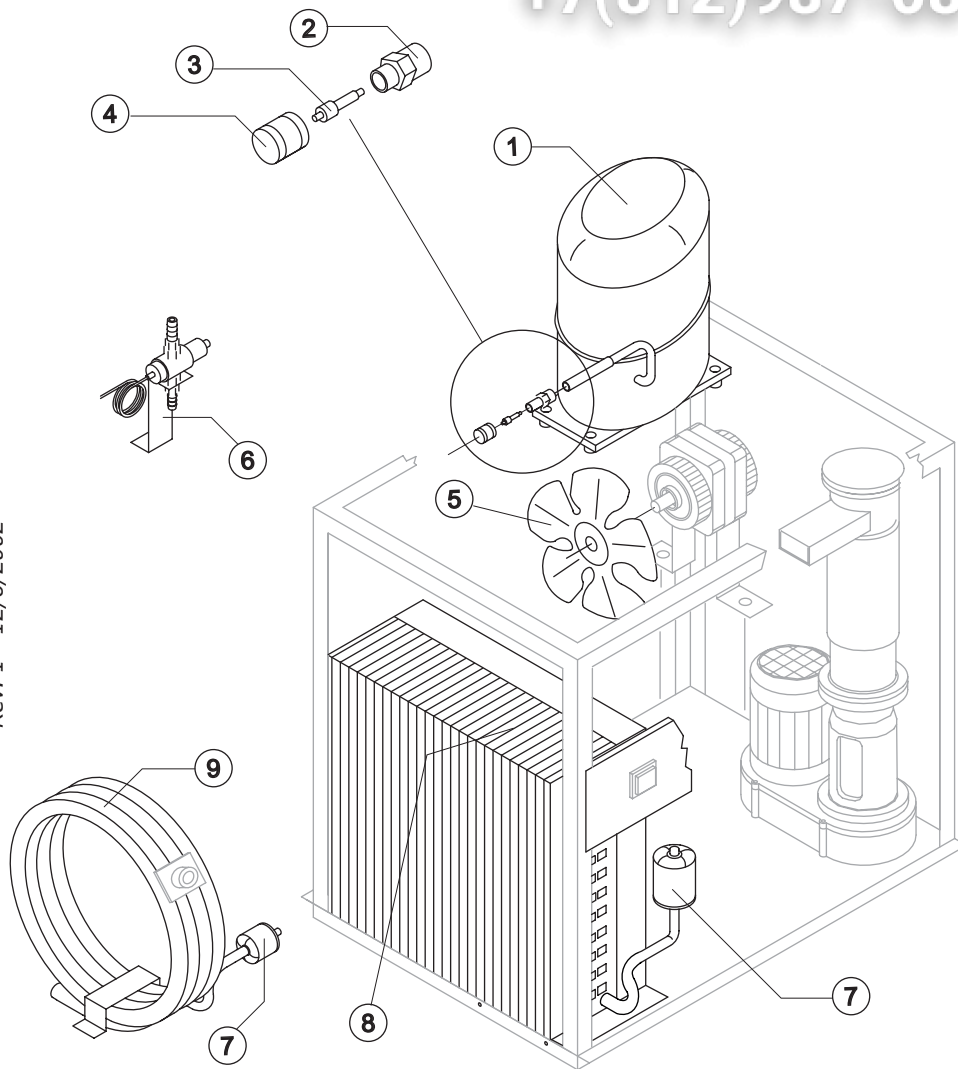
Ref.	Spare Description	Code
5	Suction Fan	20407
8	Air Condenser	20426

Parts for Water-Cooled Version Only

Ref.	Spare Description	Code
5	Suction Fan	10213
6	Pressure Valve	20210
9	Water Condenser	14034

Ref. 1 - Compressor

Tension	Code
220/240V 50 Hz	23570
220/230V 60 Hz	23573



Rev. 1 - 12/6/2002



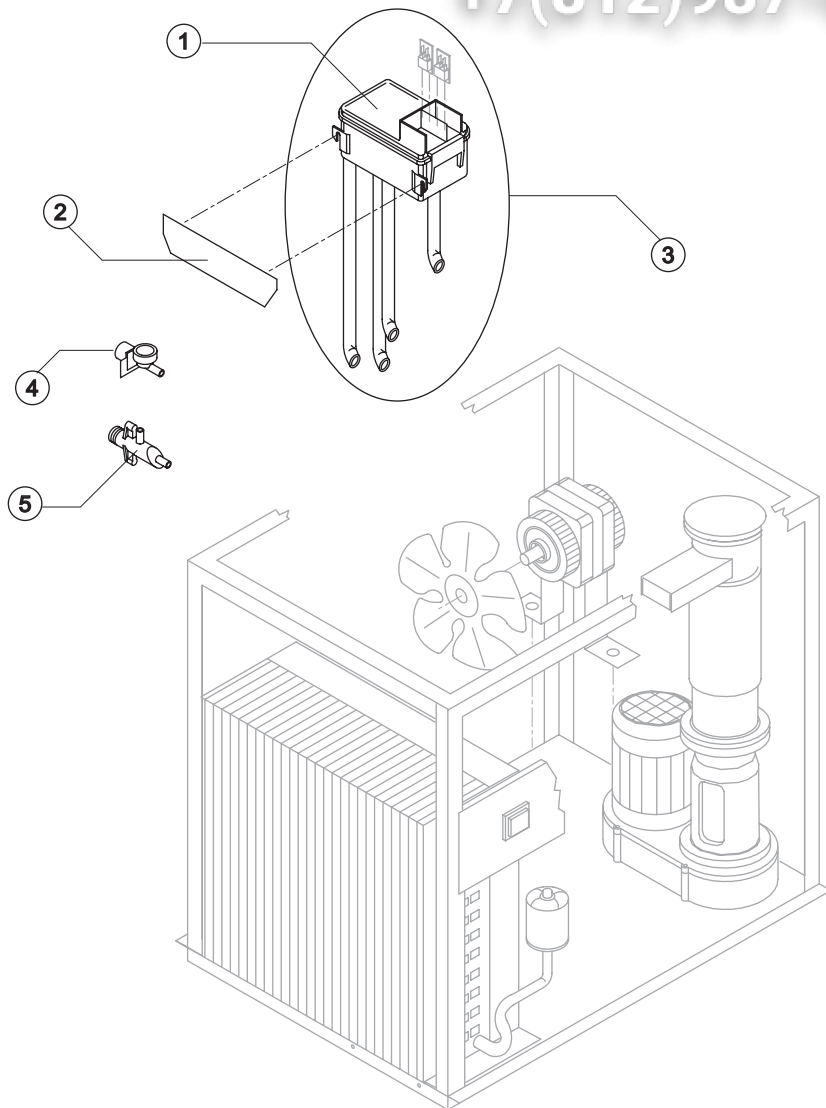
G 250

Зип Общепит

vsezip.ru

HYDRAULIC CIRCUIT

+7(812)987-08-81



Common Parts

Ref.	Spare Description	Code
1	Double Switch Basin	10145
2	Basin Support Plate	21133
3	Double Switch Basin Assembly	C10201

Parts for Air-Cooled Version Only

Ref.	Spare Description	Code
5	Discharges Manifold	C10052

Parts for Water-Cooled Version Only

Ref.	Spare Description	Code
4	1 Way Inlet Water Nipple	10368
5	Discharges Manifold	C10053

Rev. 1 - 12/6/2002



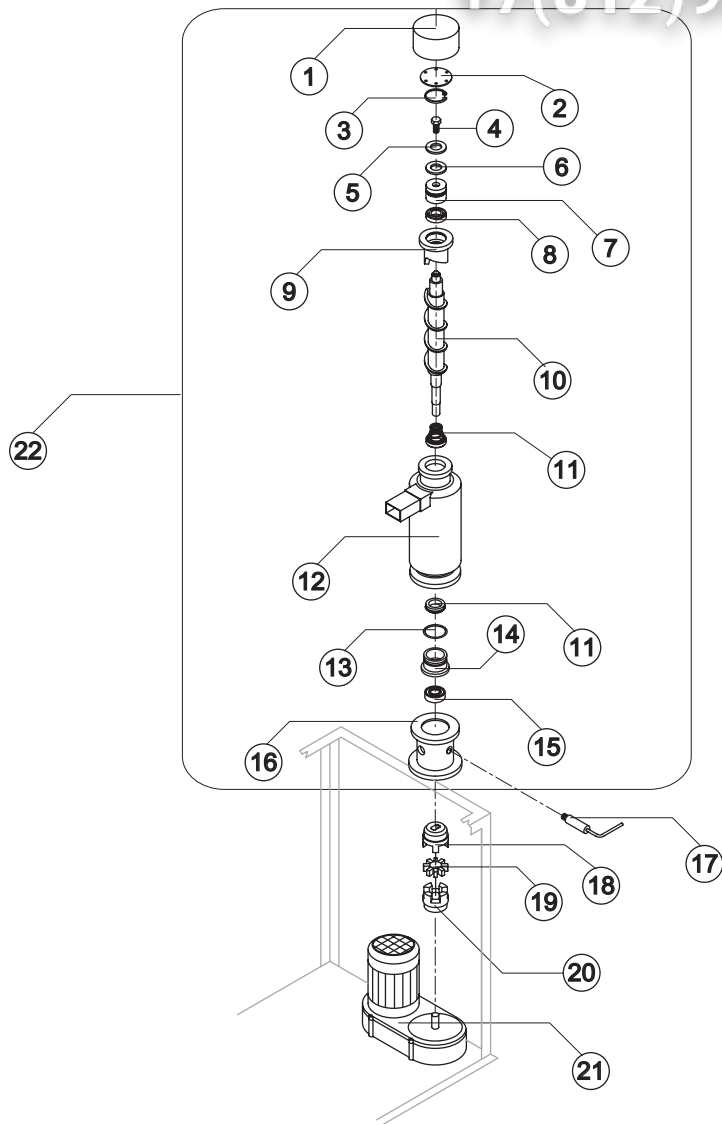
G 250

Зип Общепит

vsezip.ru

EVAPORATOR

+7(812)987-08-81



Ref.	Spare Description	Code
1	Insulating Top Panel	18167
2	Closing Disk	22649
3	Seeger	20116
4	INOX Screw	20664
5	Shimming Disk	22829
6	Self-Lubricating Disk	20639
7	INOX Bearing	20648
8	Seal Ring	20656
9	Ice Breaker	20657
10	Auger with Screw	C20658
11	Ceramic Seal	20633
12	Foamed Evaporator	C11115
13	OR Gasket 3218 NBR	20655
14	Reduction Ring	20659
15	INOX Bearing	20112
16	Flange	20644
17	Rotation Sensor	23634
18	Semi-Joint Upper	D20654
19	Vibration-Damping Elastomer	20494
20	Semi-Joint Lower	D20493
21	Gearmotor	23638
22	Evaporator Assy	C11114

Rev. 1 - 12/6/2002



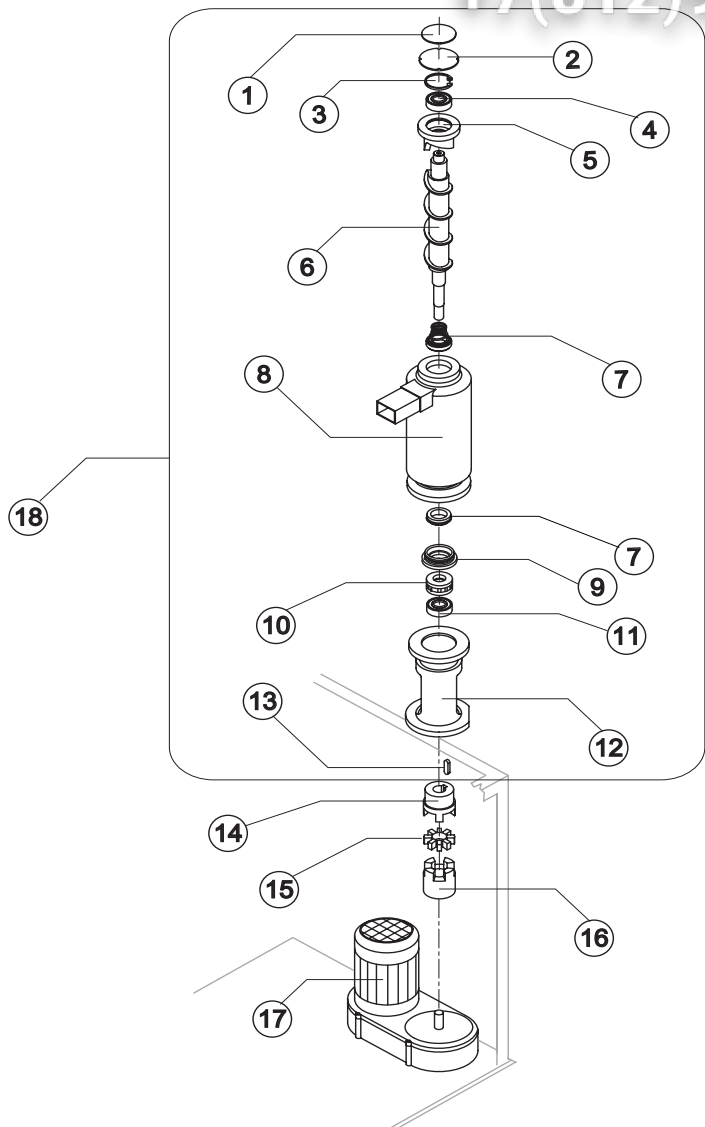
G 250

Зип Общепит

vsezip.ru

EVAPORATOR

+7(812)987-08-81



Ref.	Spare Description	Code
1	Insulating Panel	18125
2	Closing Disk	22649
3	Seeger	20115
4	INOX Bearing	20112
5	Ice Breaker	20484
6	Auger	See Note -
7	Ceramic Seal	20110
8	Foamed Evaporator	C11101
9	Ring for Ceramic Seal	20485
10	Stainless Steel Thrust Bearing	20111
11	INOX Bearing	20113
12	Flange	20482
13	Key	20431
14	Semi-Joint Upper	Current Version D20517
14	Semi-Joint Upper	Till s/n. 81177 D20493
15	Vibration-Damping Elastomer	20494
16	Semi-Joint Lower	D20493
17	Gearmotor	See Note 23571
18	Evaporator Assy	See Note C11105



Ref. 6 - For s/n. prior the Code 81178 ask, besides the new Auger (Code 20515) also the Semi-Joint Upper (Code D20517).

Ref. 17 - Ask the Code 23532 for the following s/n. :
 77781, 77873, 77874, 77903, 77904, 77919, 77920, 78136, 78137, 78470, 78471,
 78548, 78549, 78811, 78812, 78813, 78814, 78960, 79356, 79716, 79717.

Ref. 18 - For s/n prior the Code 81178 ask, besides the new Evaporator Assy (Code C11105) also the Semi-Joint Upper (Code D20517).

Rev. 1 - 12/6/2002



G 250

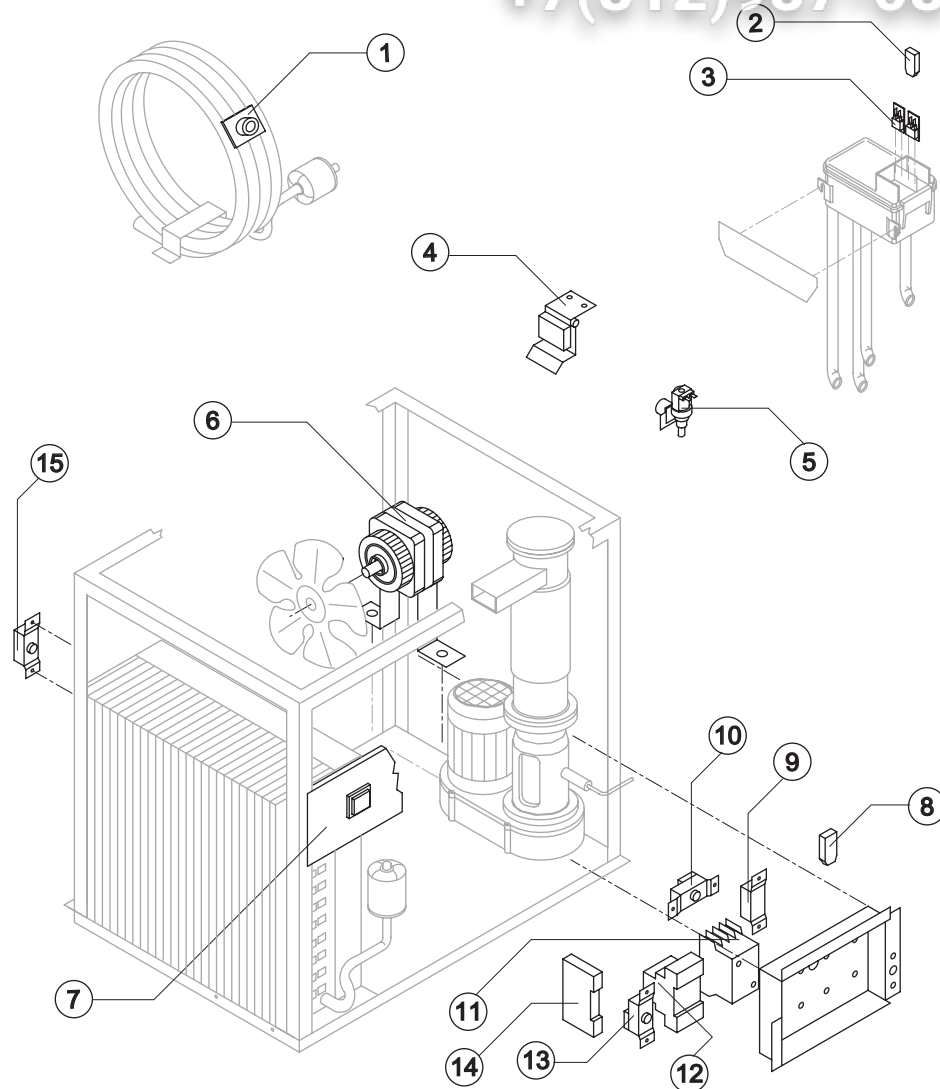
Зип Общепит

vsezip.ru

+7(812)987-08-81

ELECTRIC PARTS

Rev. 1 - 12/6/2002



Common Parts

Ref.	Spare Description	Code
2	Anti Radio Interference Filter 220/240V 50 Hz	23457
3	Microswitch	23055
4	Bin Level Control Switch	C22099
5	Inlet Watervalve 1 Way See Note	23115
7	Green Light Switch	23327
10	Evaporator Thermostat	23034
11	Contactor	23147
12	Rotation Sensor Switchboard	23633
13	Bin Thermostat	23421
14	Electronic Timer	23560

Parts for Air-Cooled Version Only

Ref.	Spare Description	Code
6	Fan Motor	23121
8	Anti Radio Interference Filter 220/240V 50 Hz	23459
9	Condenser Pressure Switch	23175

Parts for Water-Cooled Version Only

Ref.	Spare Description	Code
1	Safety Thermostat	C23114
2	Fan Motor	23029
15	Safety Pressure-Switch	23342

⚠ Ref. 5 - For s/n prior the Code 123471 ask Inlet Watervalve 2 Ways (Code 23192) (Water-Cooled Version only).