

Зип Общепит

vsezip.ru

+7(812)987-08-81



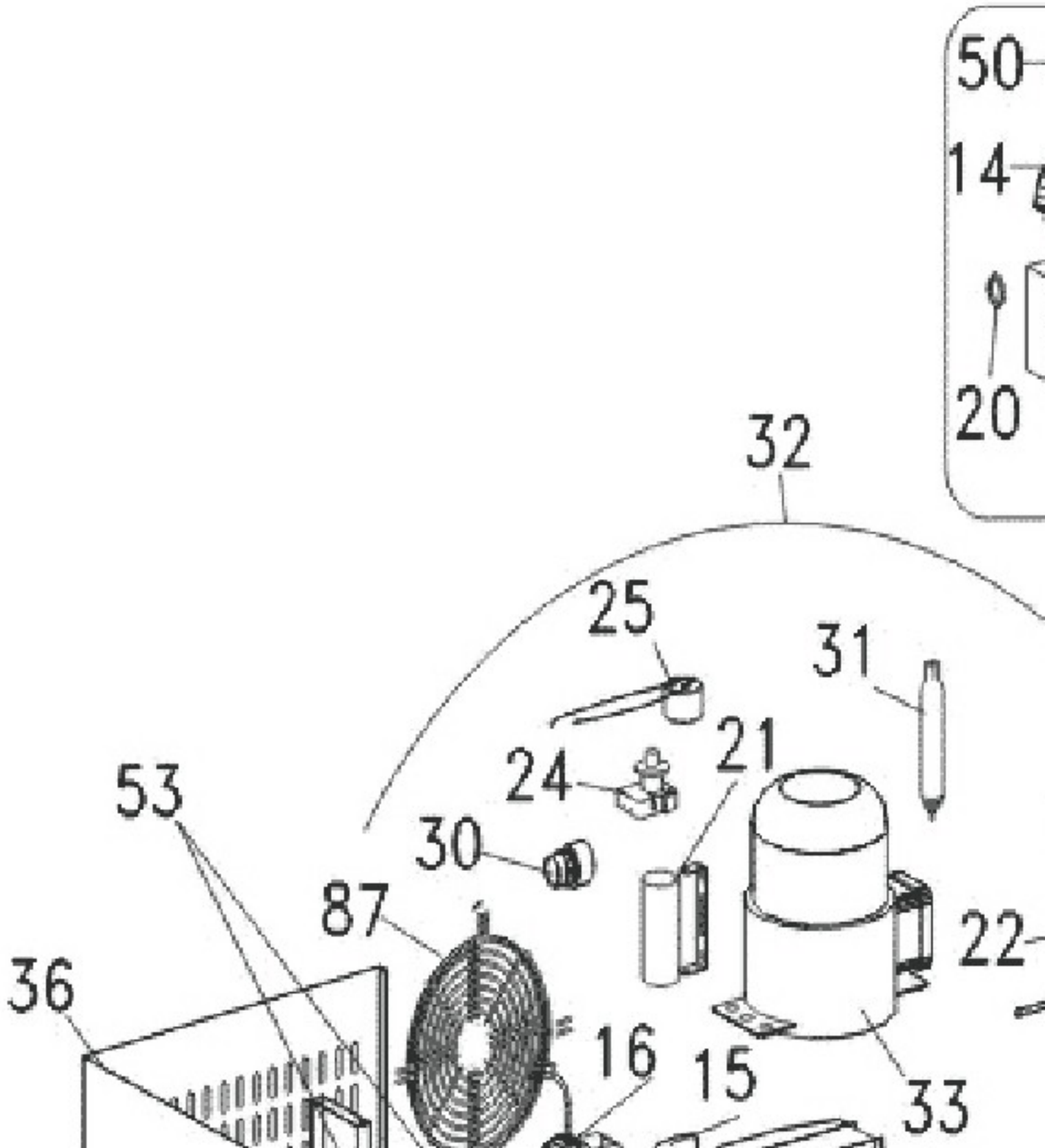
**FM1B-11**

**Edition 20040921-**

Зип Общепит

vsezip.ru

+7(812)987-08-81



# Зип Общепит

vsezip.ru +7(812)987-08-81		6FMAM 6FMAB 6FMAA FM1A 6FMAZ
Num. Cassetti Schublad Drawers Tiroirs Gabetas	1/2 1/3 2/3 1/2 F	- - - †
		6FMB11M 6FMB11B 6FMB11A FM1B/11 6FMB11Z
Num. Cassetti Schublad Drawers Tiroirs Gabetas	1/2 1/3 2/3 1/2 F	- † † †



4

3



2



5

Зип Общепит

vsezip.ru

+7(812)987-08-81

Porte Ture Doors Portes Portas Gabetas	SX     DX	6FMAM 6FMAB 6FMAA FM1A 6FMAZ  1    1	6 6 6 F 6
Porte Ture Doors Portes Portas Gabetas	SX     DX	6FMB11M 6FMB11B 6FMB11A FM1B/11 6FMB11Z  2    -	6 6 6 F 6

Page	Pos	Code	Description	Info
002	001	30A4160	COMTROL BOARD	09/06/1999-
002	005	30T6190	RISER	01/06/1997-
002	010	32D0680	CABLE CLAMP	01/06/1997-
002	011	32D0700	CABLE CLAMP	01/06/1997-
002	012	32D0710	THREE-POLE CONNECTOR	01/06/1997-
002	013	32D0740	TERMINAL BOARD	01/06/1997-
002	014	32M5970	TANGENTIAL FAN	01/08/2000-
002	015	32M2510	FAN	01/06/1997-
002	016	32M6870	FAN MOTOR	05/12/2001-
002	017	32W2331	BIPOLAR SWITCH	01/06/1997-
002	018	32W3190	PILOT-LIGHT 1-POLE	01/06/1997-
002	019	32X0120	SWITCH GROMMETØ 21	01/06/1997-
002	020	32X0140	GROMMET Ø13,5-Ø25	01/06/1997-
002	021	32V1490	CONDENSER	15/04/1999-
002	022	32Z2750	COIL	01/06/1997-
002	023	34D6180	CONDEN.+BAFFLE	15/04/1999-
002	024	32V1250	RELAY	15/04/1999-
002	025	32V1400	ENGINE CUTOUT	15/04/1999-
002	029	33A0510	DEFROST SOL. VALVE	01/06/1997-
002	030	33A1200	AUXIL.VALVE	01/06/1997-
002	031	33A0180	FILTER	01/06/1997-
002	032	34D7490	MOTOR UNIT	15/04/1999-
002	033	34D6510	COMPRESSOR	15/04/1999-
002	034	34D3740	EVAPORATOR	01/06/1997-
002	035	35C1470	MOTOR ROOM PAN.	01/06/1997-
002	036	35C1480	SIDE-BACK PANEL	01/06/1997-
002	039	35G8620	COMP.GUARD	09/06/1999-
002	040	35S3050	TRAY SLIDE	01/06/1997-
002	041	35W0260	TRAY	01/06/1997-
002	042	35V1010	CONTROL BOARD C	09/06/1999-
002	045	35V3500	RH GUIDE	01/06/1997-
002	050	35V7230	SUPPORT	01/06/1997-
002	051	35V7240	FAN GUARD	01/06/1997-
002	052	35V7250	FOOT-HOLDER OM.	01/06/1997-
002	053	35V7260	MOT.COMP.RISER	01/06/1997-
002	054	35V7950	EVAPORATOR SUPPORT	01/06/1997-
002	055	35V7960	EVAPORATOR SUPPORT	01/06/1997-
002	056	35V8480	LH GUIDE	01/06/1997-
002	058	36C0320	TRIM FRAME	01/06/1997-
002	059	36C0330	TRIM FRAME	01/06/1997-
002	060	36C0340	TRIM FRAME	01/06/1997-
002	061	36C0350	TRIM FRAME	01/06/1997-
002	062	36D3470	TRIM FRAME	01/06/1997-
002	063	36D3560	VERT.FRAME	01/06/1997-
002	064	36D3610	BORDER FRAME	01/06/1997-
002	065	36D3860	TRIM FRAME	01/06/1997-
002	068	36D5540	TRIM FRAME	01/06/1997-
002	070	36E4780	CONDENS. DRAIN	07/09/2004-
002	071	36C3960	FOOT	15/11/1999-
002	073	36Q1200	PLUG	01/06/1997-
002	074	36Z0300	COND. TRAY	01/06/1997-

Page	Pos	Code	Description	Info
002	075	36Z0490	ENGINE CUTOUT	01/06/1997-
002	076	36Z6401	CONTROL BOARD	09/07/2003-
002	077	40A0133	BODY	01/06/1997-
002	078	35U4790	"L" BRACKET	01/06/1997-
002	079	30T0980	RISER	01/06/1997-
002	080	34D3770	EVAPORATOR ASS.Y	01/06/1997-
002	083	35C4860	EVAPORATOR GUARD	01/06/1997-
002	084	35C4900	EVAPORATOR GUARD	01/06/1997-
002	087	36C2031	FAN GUARD	15/04/1999-
002	088	32V2900	DIGITAL	09/06/1999-
002	089	32Z3470	THERMOREGULATOR TRANSFORMER	09/06/1999-
003	001	30G2490	DRAWER UNIT 1/3	01/09/1998-
003	002	30W4040	DRAWER FRAME	21/09/2004-
003	003	35V4120	GUIDE SUPPORT	01/09/1998-
003	004	36M5380	TELESCOPIC LH GUIDE	01/09/1998-
003	005	36M5390	TELESCOPIC RH GUIDE	01/09/1998-
003	006	36D3400	DOOR TRIM	01/09/1998-
003	007	36D3590	LEFT HEAD	01/09/1998-
003	008	36D3600	RIGHT HEAD	01/09/1998-
003	009	36D3820	PLUG	01/09/1998-
003	010	37Q7730	GASKET	01/09/1998-
003	014	30G2480	DRAWER UNIT 2/3	01/09/1998-
003	015	30W4050	DRAWER FRAME	21/09/2004-
003	016	37Q7720	GASKET	01/09/1998-
003	017	30W0250	DRAWER UNIT 1/2 "F"	01/09/1998-
003	018	6000110	DRAWER REPLACEMENT UNIT 1/3	01/09/1998-
003	020	6000200	DRAWER REPLACEMENT UNIT 2/3	01/09/1998-
003	021	6005550	DRAWER REPLACEMENT UNIT 1/2 ""F"	01/09/1998-
004	001	30G2440	DOOR	01/09/1998-
004	002	36D3400	DOOR TRIM	01/09/1998-
004	003	36D3590	LEFT HEAD	01/09/1998-
004	004	36D3600	RIGHT HEAD	01/09/1998-
004	005	36D3820	PLUG	01/09/1998-
004	006	37Q7590	GASKET	01/09/1998-
004	007	6000210	LEFT DOOR REPLACEMENT UNIT	01/09/1998-