

Зип Общепит

vsezip.ru

+7(812)987-08-81



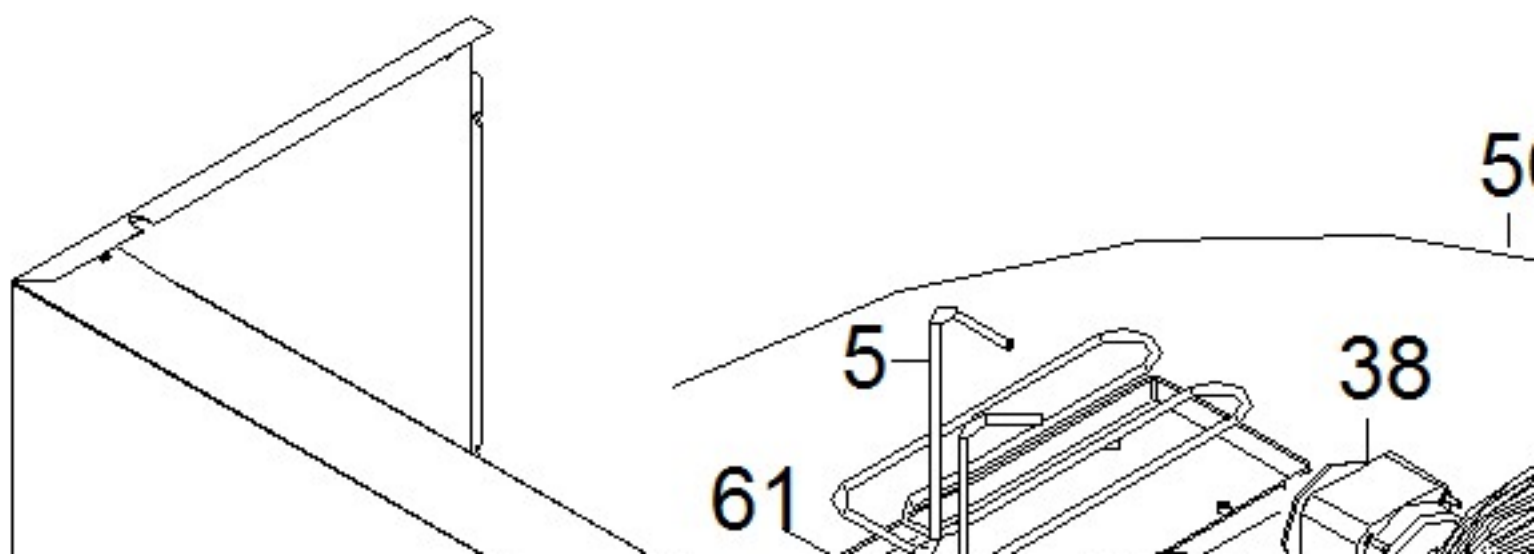
BS16

Edition 20100525-

Зип Общепит

vsezip.ru

+7(812)987-08-81



Pos	Code	Description	Info
001	3043180	TOP BRACKET	15/01/2007-
002	3044110	BUSHING	15/01/2007-
003	3145280	FOOT	21/04/2010-
004	3047140	TRAY	15/01/2007-
005	3047170	PIPE COIL	15/01/2007-
006	3165770	CONDENSER	13/02/2009-
007	3047810	HULL	15/01/2007-
008	3047920	PANEL-BOARD COVER	15/01/2007-
009	3048060	THERMOR.DGT	15/01/2007-
010	3048360	DRAIN TRAP	15/01/2007-
011	3048370	BRACKET	15/01/2007-
012	6023700	DOOR REPLACEMENT UNIT	15/01/2007-
013	3047820	COVER	15/01/2007-
014	3056800	GUIDE	15/01/2007-
015	3166070	FAN.PROT.	13/02/2009-
016	3069170	DOOR	15/01/2007-
017	3069910	RACK	15/01/2007-
018	3069930	RACK	15/01/2007-
019	3069940	GUIDE	15/01/2007-
020	3069950	GUIDE	15/01/2007-
021	3070330	FRAMETRIM	15/01/2007-
022	3070340	FRAMETRIM	15/01/2007-
023	3070870	SIDE-BACK	15/01/2007-
024	34E2930	EVAP. GROUP	26/02/2008-
025	3073130	SAFETY THERMOSTAT	15/01/2007-
026	3073730	CONTROLBOARD	25/05/2010-
027	3180130	SILK-SCREE.PANEL	25/05/2010-
028	3088700	BOTTOM BRACKET	15/01/2007-
029	3088710	BUSHING	15/01/2007-
030	32A2200	POWER SUPPLY CABLE	15/01/2007-
031	32D0220	CABLE CLAMP Ø 16	15/01/2007-
032	32D0680	CABLE CLAMP	15/01/2007-
033	32D0700	CABLE CLAMP	15/01/2007-
034	32D1750	TERMINAL BOARD	15/01/2007-
035	32G3690	HEATING ELEMENT	15/01/2007-
036	32M2510	FAN	15/01/2007-
037	3046940	TANGENTIAL FAN	15/01/2007-
038	32M7020	FAN MOTOR	13/02/2009-
039	32V1500	CONDENSER	15/01/2007-
040	32V3720	RELAY	15/01/2007-
041	32V3900	RELAY	15/01/2007-
042	32V3910	ENGINE CUTOUT	15/01/2007-
043	32W3850	humidity selection switch	15/01/2007-
044	32W3970	BIPOLAR SWITCH	15/01/2007-
045	32X0120	GROMMETØ 21	15/01/2007-
046	32X0230	GROMMET	15/01/2007-
047	33A0180	FILTER	15/01/2007-
048	33A1200	AUXIL.VALVE	15/01/2007-
049	3179290	COMPRESSOR	06/11/2009-
050	3165310	MOTOR UNIT	13/02/2009-
052	35L5500	PANEL BOARD	15/01/2007-

Pos	Code	Description	Info
053	36C2650	PLUG	15/01/2007-
054	36C5180	SWITCH PROT.	15/01/2007-
055	36D0630	PLUG	15/01/2007-
056	36E3990	CONDENS. DRAIN	15/01/2007-
057	36E5490	CONDENS. DRAIN	15/01/2007-
058	36Q1880	DRAIN PLUG	15/01/2007-
059	36Z2220	PROBE STOPPER	15/01/2007-
060	36Z2370	COND. TRAY	15/01/2007-
061	36Z2380	TRAY	15/01/2007-
062	37Q4140	GASKET	15/01/2007-
063	40K2118	BODY	15/01/2007-
064	60Z3690	DOOR REPLACEMENT UNIT	15/01/2007-
065	3071100	EVAPORATOR GUARD	15/01/2007-
066	3059260	SUPPORT	15/01/2007-