

Зип Общепит

vsezip.ru

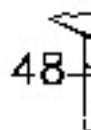
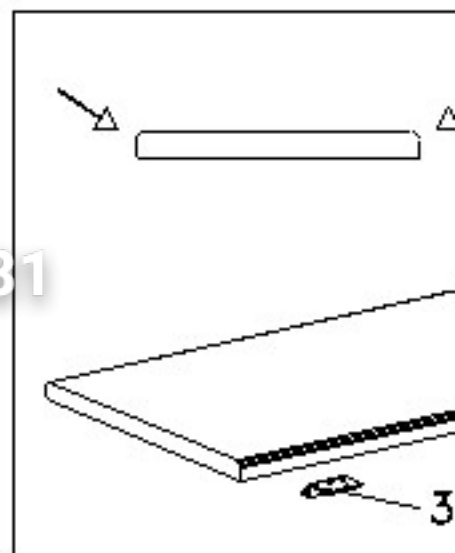
+7(812)987-08-81



**6RMA2A**

**Edition 20050404-**

Зип Общепит  
vsezip.ru  
+7(812)987-08-81



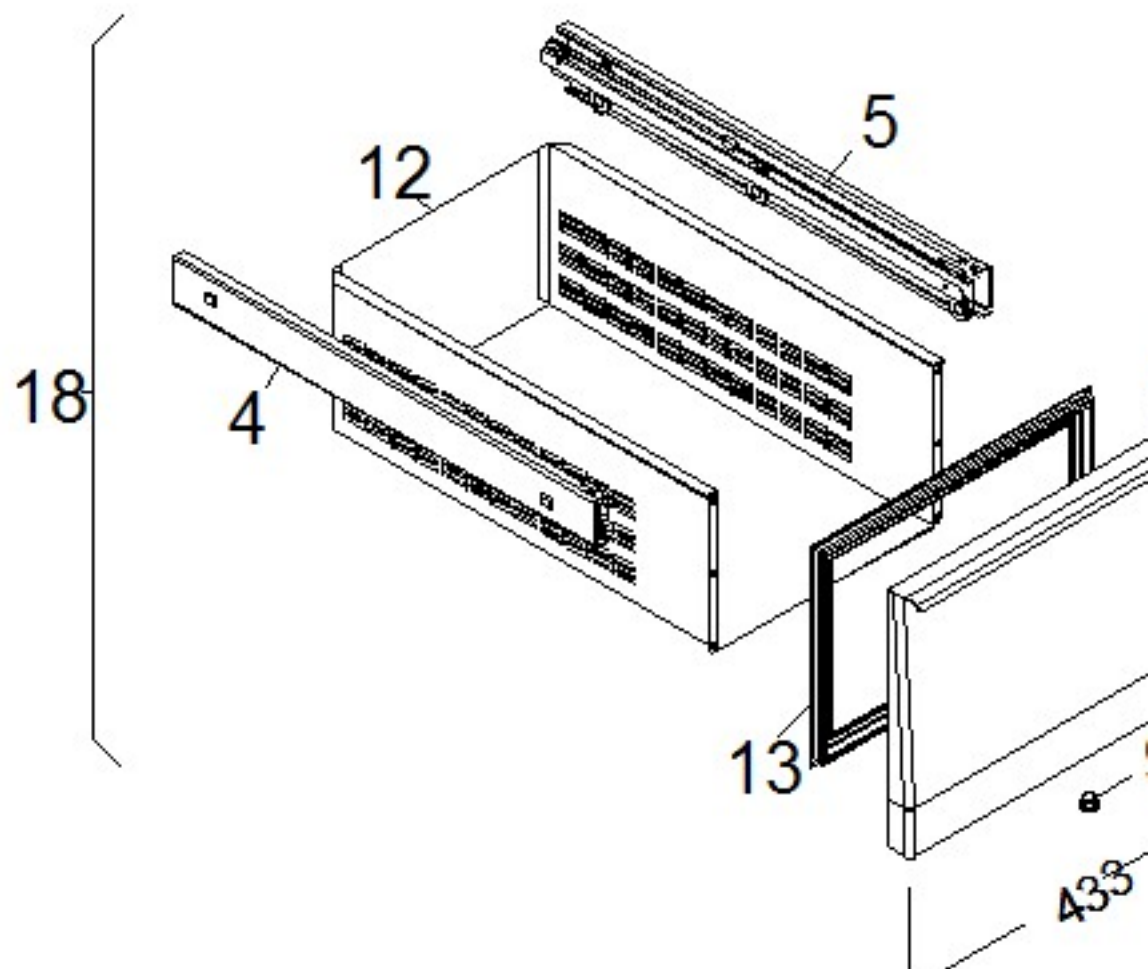
Зип Ощепит

vsezip.ru

+7(812)987-08-81

6RMAA  
6RMAB  
6RMAM  
RM1A  
6RMAZ

Num.cassetti	1/2	-	
Schublad			
Drawers	1/3	-	
Tiroirs			
Gabetas	2/3	-	



Зип Общепит

vsezip.ru

+7(812)987-08-81

		6RMAA 6RMAB 6RMAM RM1A 6RMAZ
Porte Türen Doors Portes Puertas	DX	1
	SX	1

7

Page	Pos	Code	Description	Info
002	001	30D4560	STOPPING COMPON.	01/06/1997-
002	002	30M5070	SHELF	01/06/1997-
002	003	30M5050	TOP WITH SPLASHBACK	01/06/1997-
002	004	30T8000	RISER	04/04/2005-
002	005	36C4910	TOP BRACKET	04/04/2005-
002	008	32D0680	CABLE CLAMP	01/06/1997-
002	009	32D0740	TERMINAL BOARD	01/06/1997-
002	010	32G0240	HEATING ELEMENT	01/06/1997-
002	011	32G0350	HEATING ELEMENT	01/06/1997-
002	012	32M5920	TANGENTIAL FAN	23/11/1998-
002	013	32W2331	BIPOLAR SWITCH	01/06/1997-
002	014	32W3190	PILOT-LIGHT 1-POLE SWITCH	01/06/1997-
002	015	32V7790	DIGITAL THERMOREGULATOR	24/04/2003-
002	016	32Z3470	TRANSFORMER	01/06/1997-
002	017	33A0780	VALVE	03/08/2000-
002	018	34D3390	EVAPORATOR	01/06/1997-
002	019	35C2830	SIDE-BACK PANEL	01/06/1997-
002	020	35C2860	BOTTOM PANEL	01/06/1997-
002	021	35C2870	TOP PANEL	01/06/1997-
002	022	35C2880	CROSS MEMBER	01/06/1997-
002	023	35C2890	DX COMPONENT	01/06/1997-
002	024	35C3360	GUARD SHELF OMEGA	01/06/1997-
002	025	35C3370	TRAY SUPPORT	01/06/1997-
002	026	35C3380	SX COMPONENT	01/06/1997-
002	027	35C3460	GUARD CONTROL BOARD	01/06/1997-
002	028	3043440	EVAPORATOR GUARD	04/04/2005-
002	031	3043450	CONVEYOR	04/04/2005-
002	033	35V4710	SHELF BRACKET	01/06/1997-
002	034	35V4850	SUPPORT	01/06/1997-
002	035	35V4860	EVAPORATOR SUPPORT.	01/06/1997-
002	036	35V6600	DRAIN GUARD	01/06/1997-
002	037	35V7930	TRAY RESIS.	01/06/1997-
002	038	35V8690	FASTENER GUIDE SUPPORT	01/06/1997-
002	039	35X1640	DRAIN TRAP	01/06/1997-
002	040	35X3020	CONDENS. DRAIN	01/06/1997-
002	041	36D3560	VERT.FRAME	01/06/1997-
002	042	36D3610	BORDER FRAME	01/06/1997-
002	046	36D5530	TRIM FRAME	01/06/1997-
002	047	36E4780	CONDENS. DRAIN	07/09/2004-
002	048	36C3960	FOOT	15/11/1999-
002	050	36Q1400	PLUG	01/06/1997-
002	051	36Z0010	TRAY	01/06/1997-
002	052	36Z0030	TRAY	01/06/1997-
002	053	36Z0490	ENGINE CUTOUT	01/06/1997-
002	054	40k0966	FRAME	04/04/2005-
002	055	6006400	TOP ASS. Y	01/06/1997-
002	056	6006580	ASSEMBLED TOP	01/06/1997-
002	057	6006490	TOP ASS. Y	01/06/1997-
002	058	30M5060	SHELF	01/06/1997-
002	059	33A0810	ORIFICE	03/08/2000-
002	060	35X5330	DRAIN	18/12/2000-

Page	Pos	Code	Description	Info
002	061	3191170	PIN	04/04/2005-
003	004	36M5380	TELESCOPIC LH GUIDE	01/09/1998-
003	005	36M5390	TELESCOPIC RH GUIDE	01/09/1998-
003	009	36C2640	PLUG	01/09/1998-
003	011	30G4110	DRAWER UNIT 1/2 "K"	04/04/2005-
003	012	30W4020	DRAWER FRAME 1/2 INF.	21/09/2004-
003	013	37Q4720	GASKET	04/04/2005-
003	018	60A0060	"DRAWER REPLACEMENT UNIT 1/2 """"	04/04/2005-
004	005	36C2640	PLUG	01/09/1998-
004	006	37Q4710	GASKET	04/04/2005-
004	008	6000220	RIGHT DOOR REPLACEMENT UNIT	01/09/1998-
004	009	36G8660	BUSHING	04/04/2005-
004	010	36D4610	BUSHING	04/04/2005-
004	011	30G4200	RIGHT DOOR	04/04/2005-