

Зип Общепит

vsezip.ru

+7(812)987-08-81



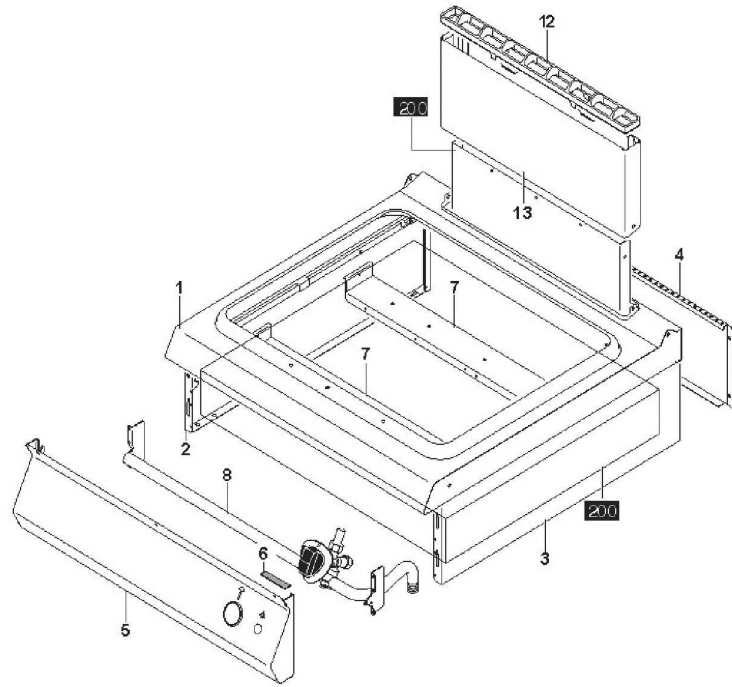
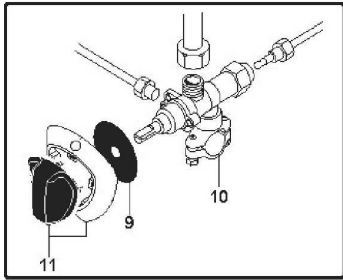
1ГОТРО

Edition 20100713-

Зип Общепит

vsezip.ru

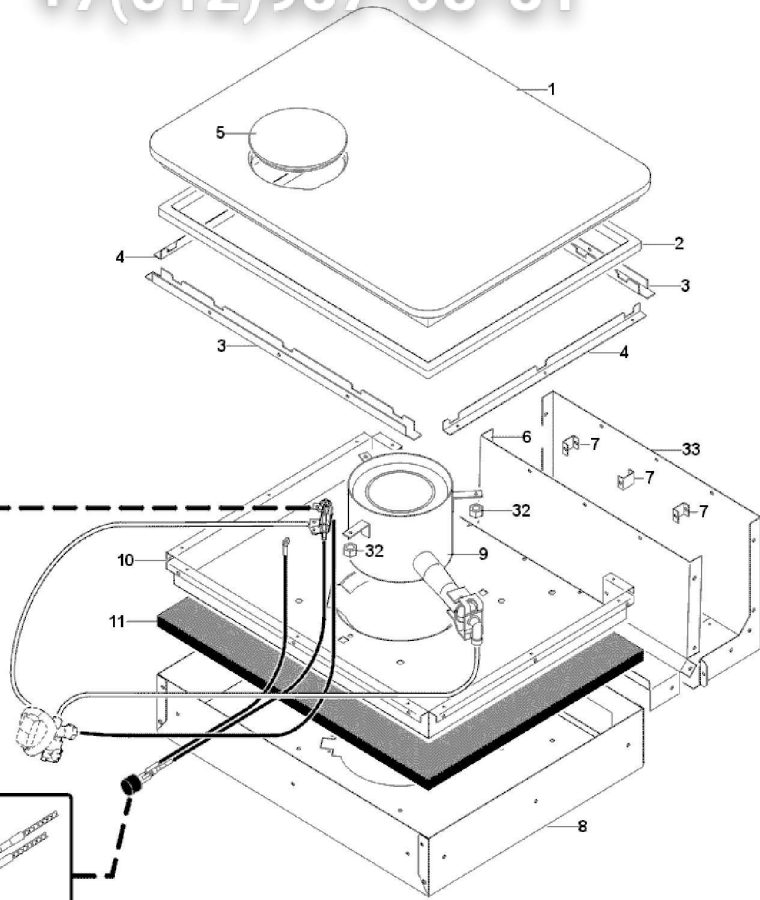
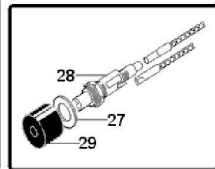
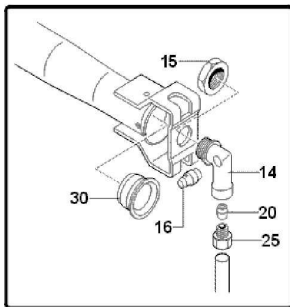
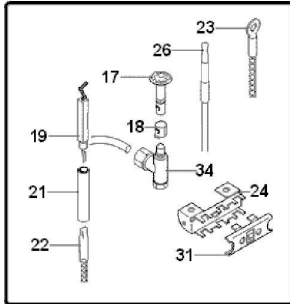
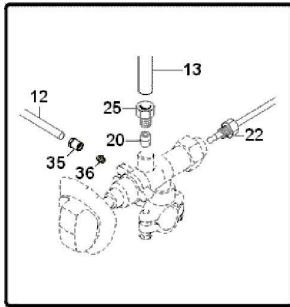
+7(812)987-08-81



Зип Ощепит

vsezip.ru

+7(812)987-08-81



1111 - 3001/1500000

Page	Pos	Code	Description	Info
002	001	30M8491	HOB ASS. Y	01/06/2002-
002	002	35H2890	LH PANEL	01/06/2002-
002	003	35H2490	RH PANEL	01/06/2002-
002	004	35E3370	REAR PANEL 700	01/06/2002-
002	005	30A5050	UPPER CONTROL BOARD	01/06/2002-
002	006	137AA04	GASKET	01/06/2002-
002	007	35E3700	LOWER CROSS SECTION	01/06/2002-
002	008	3084300	GAS MANIFOLD ASS. Y	08/02/2008-
002	009	3152250	GAS VALVE GUARD Ø 50	01/06/2002-
002	010	3064310	GAS CONTROL	08/02/2008-
002	011	3013171	KNOB Ø8	01/03/2008-
002	012	36C4810	FLUE GUARD	01/06/2002-
002	013	30Q1780	EXT FLUE ASS. Y	01/06/2002-
002	200	M009870	TP COMP. ASS.Y	01/06/2002-
003	001	36A5040	SMOOTH PLATE ASS. Y	01/06/2002-
003	002	157AA21	GASKET 16X16 (U.M = gr)	01/06/2002-
003	003	35E3660	L BRACKET	01/06/2002-
003	004	35E3670	L BRACKET	01/06/2002-
003	005	36A2860	HOLE COVER Ø 150	01/06/2002-
003	006	35E3690	FLUE FRONT PLATE	01/06/2002-
003	007	35E5820	SPACER	01/06/2002-
003	008	35E3640	COMBUSTION CHAMBER	01/06/2002-
003	009	34A1650	BURNER Ø 160	01/06/2002-
003	010	35E3650	INS. PANEL COVERING	01/06/2002-
003	011	37Q4930	INSULANTING PANEL	01/06/2002-
003	012	35X5810	PIPE PILOT BURNER	01/06/2002-
003	013	35X5800	FEEDING PIPE	01/06/2002-
003	014	33Q5240	NOZZLE HOLDER ELBOW	01/06/2002-
003	015	36Q0980	LOCK NUT M16X1.5	01/06/2002-
003	016	33A0640	PRESSURE TEST POINT	01/06/2002-
003	017	33A1081	THREE-FLAME BURNER	24/04/2008-
003	018	33A0970	RING NUT	01/06/2002-
003	019	32T0010	IGNITION PLUG	27/01/2010-
003	020	36Q0080	BICONE Ø 10X6.5	01/06/2002-
003	021	131AA46	HOSE 8'X40	01/06/2002-
003	022	32A0210	CABLE "HF" 700MM	01/06/2002-
003	023	32A0441	EARTH CABLE 600 MM	01/06/2002-
003	024	35R1460	SUPPORT	01/06/2002-
003	025	36Q0830	BICONE NUT Ø 10	01/06/2002-
003	026	33A0680	THERMOCOUPLE M8X1X600	01/06/2002-
003	027	3191100	WASHER Ø31 Ø18,3=2	01/06/2002-
003	028	3166990	PIEZO IGNITION	13/07/2010-
003	029	37Q2100	HEAT. ELEM. PROTECTION	01/06/2002-
003	030	36E3890	BUSHING Ø 18	01/06/2002-
003	031	33A0950	REAR BRACKET	01/06/2002-
003	032	3110100	NUT	01/06/2002-
003	033	35E3680	REAR FLUE	01/06/2002-
003	034	33A0690	PILOT BURNER BODY Ø0,40	01/06/2002-
003	034	33A0960	PILOT BURNER BODY Ø0,25	01/06/2002-
003	035	36Q1000	CLOSING BICONE NUT	01/06/2002-
003	036	36Q1040	Ø4 BICONE Ø4	01/06/2002-