

Зип Общепит

vsezip.ru

+7(812)987-08-81



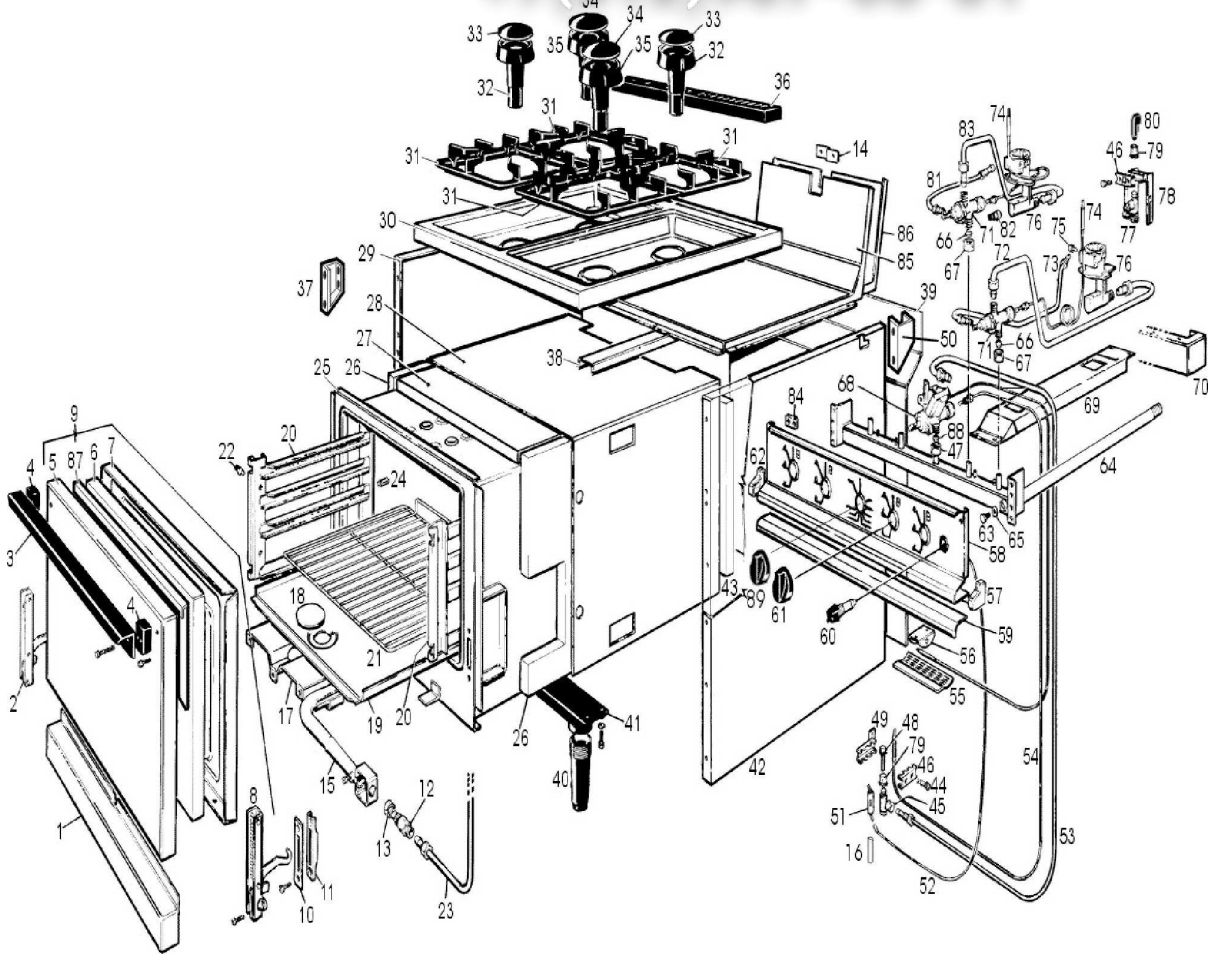
31

Edition 20100127-

Зип Ощепит

vsezip.ru

+7(812)987-08-81



Pos	Code	Description	Info
001	35B2190	LOWER FRONT PANEL	01/11/1995-
002	36M2430	LEFT HAND HINGE	01/11/1995-
003	36M3590	HANDLE	01/11/1995-
004	36M3720	SPACER	01/11/1995-
005	35G6460	OVEN DOOR	01/11/1995-
006	37Q2361	INSULATING PANEL	01/11/1995-
007	35G6470	INNER DOOR FRAME ASS. Y	01/11/1995-
008	36M2420	RIGHT-HAND HINGE	01/11/1995-
009	6001611	OVEN DOOR ASS. Y	01/11/1995-
010	35U3170	FLAT BRACKET	01/11/1995-
011	36M0270	HINGE CATCH	01/11/1995-
012	3035340	NOZZLE HOUSING	24/07/2006-
013	36Q1110	LOCK NUT 3/8"	01/11/1995-
014	35U3180	""""Z"" BRACKET"	01/11/1995-
015	34A1520	OVEN BURNER	01/11/1995-
016	131AA46	HOSE 8'X40	01/11/1995-
017	35D4330	FLAME DEFLECTOR	01/11/1995-
018	30D1260	OVEN PLATE HOLE COVER	01/11/1995-
019	35D4340	OVEN BOTTOM PLATE	01/11/1995-
020	30T2560	TRAY RACK ASS. Y	01/11/1995-
021	36M3070	OVEN GRID	01/11/1995-
022	36G3680	BUSHING Ø 8	01/11/1995-
023	35X3220	PIPE	01/11/1995-
024	36G2590	PIN	01/11/1995-
025	30D1602	GAS OVEN ASS. Y	01/11/1995-
026	37Q2331	INSULATING PANEL	01/11/1995-
027	37Q2341	INSULATING PANEL	01/11/1995-
028	35B2091	INSULATION PANEL COVER	01/11/1995-
029	35C0530	LH PANEL	01/11/1995-
030	30M1821	TOP ASS. Y	01/11/1995-
031	36A2600	PAN REST	01/11/1995-
032	34A1380	BURNER Ø 90	01/11/1995-
033	34A1123	BURNER CAP Ø 90	01/11/1995-
034	34A1133	BURNER CAP Ø 110	01/11/1995-
035	34A1391	BURNER Ø 110	01/11/1995-
036	35B2070	FLUE GUARD	01/11/1995-
037	35Q8290	LEFT HAND PANEL	01/11/1995-
038	35S0220	"U" BRACKET	01/11/1995-
039	35B2182	REAR PANEL	15/01/1996-
040	36D4000	ADJUSTABLE FOOT	01/11/1995-
041	30T2571	FOOT HOUSING ASS. Y	01/11/1995-
042	35C0580	RH PANEL	01/11/1995-
043	37Q2350	INSULATING PANEL	01/11/1995-
044	33A0980	SCREW 3/16W. X18TE	01/11/1995-
045	33A2900	PILOT BURNER BODY	01/11/1995-
046	33A0950	REAR BRACKET	01/11/1995-
047	36Q0050	BICONE NUT Ø 12	01/11/1995-
048	33A1081	THREE-FLAME BURNER	24/04/2008-
049	33A1000	FRONT BRACKET	01/11/1995-
050	35Q8300	RIGHT HAND PANEL	01/11/1995-
051	32T0010	IGNITION PLUG	27/01/2010-

Pos	Code	Description	Info
052	32A0061	CABLE "HF" 1100MM	01/11/1995-
053	35X3230	PIPE	01/11/1995-
054	33A0520	THERMOCOUPLE	01/11/1995-
055	35Q1090	BULB GUARD	01/11/1995-
056	35U4210	""U"" BRACKET"	01/11/1995-
057	36D3420	RH END SIDE	01/11/1995-
058	35C5060	UPPER CONTROL BOARD	01/11/1995-
059	35S1290	BRACKET	01/11/1995-
060	32T0130	PIEZO IGNITION	01/11/1995-
061	36M3050	GAS CONTROL KNOB	01/11/1995-
062	36D3430	LH END SIDE	01/11/1995-
063	31A7380	SCREW TE M5X10	01/11/1995-
064	30Z1020	GAS MANIFOLD ASS. Y	01/11/1995-
065	3128460	WASHER	01/11/1995-
066	36Q0080	BICONE Ø 10X6.5	01/11/1995-
067	36Q0830	BICONE NUT Ø 10	01/11/1995-
068	33A2840	THERMOSTATIC VALVE	01/11/1995-
069	35S0140	CROSS MEMBER	01/11/1995-
070	35Z0130	LON. SECTION SUPPORT	15/01/1996-
071	33D1170	GAS CONTROL	01/11/1995-
072	35Z7430	PIPE	01/11/1995-
073	35Z7410	PIPE	01/11/1995-
074	33A0680	THERMOCOUPLE M8X1X600	13/06/2001-
075	31B8800	SCREW	01/11/1995-
076	36D2771	BURNER SUPPORT	01/11/1995-
077	33A0200	PILOT BURNER ASS.Y	01/11/1995-
078	35V9130	PILOT BURNER SUPPORT	01/11/1995-
079	33A0970	RING NUT	01/11/1995-
080	33A1070	ONE-FLAME BURNER	01/11/1995-
081	35Z7400	PIPE	01/11/1995-
082	32Z1520	VALVE MAGNET	01/11/1995-
083	35Z7420	PIPE	01/11/1995-
084	35T9650	FLAT BRACKET	01/11/1995-
085	35D4300	HALF FLUE FRONT PLATE	01/11/1995-
086	35D4320	HALF FLUE REAR PLATE	01/11/1995-
087	35V0700	SPACER	01/11/1995-
088	36Q0030	BICONE Ø12X8	01/11/1995-
089	36M2390	GAS CONTROL KNOB	01/11/1995-