

Зип Общепит

vsezip.ru

+7(812)987-08-81



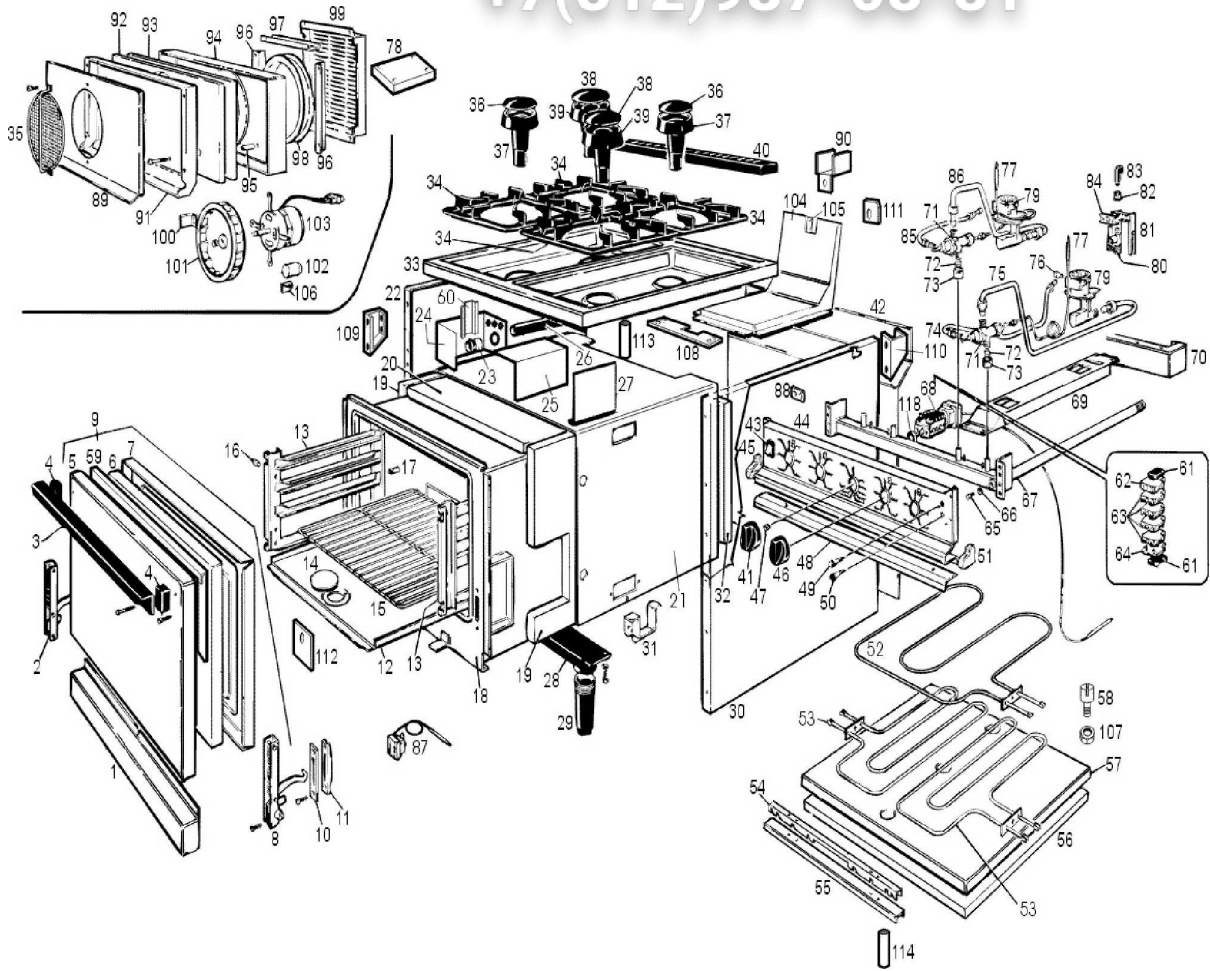
31GE

Edition 20070523-

Зип Общепит

vsezip.ru

+7(812)987-08-81



Pos	Code	Description	Info
001	35B2190	LOWER FRONT PANEL	01/09/1996-
002	36M2430	LEFT HAND HINGE	01/09/1996-
003	36M3590	HANDLE	01/09/1996-
004	36M3720	SPACER	01/09/1996-
005	35G6460	OVEN DOOR	01/09/1996-
006	37Q2361	INSULATING PANEL	01/09/1996-
007	35G6470	INNER DOOR FRAME ASS. Y	01/09/1996-
008	36M2420	RIGHT-HAND HINGE	01/09/1996-
009	6001611	OVEN DOOR ASS. Y	01/09/1996-
010	35U3170	FLAT BRACKET	01/09/1996-
011	36M0270	HINGE CATCH	01/09/1996-
012	35D4340	OVEN BOTTOM PLATE	01/09/1996-
013	30T2560	TRAY RACK ASS. Y	01/09/1996-
014	30D1260	OVEN PLATE HOLE COVER	01/09/1996-
015	3012000	OVEN GRID 530X325X35	01/03/2004-
016	36G3680	BUSHING Ø 8	01/09/1996-
017	36G2590	PIN	01/09/1996-
018	30D1641	ELECTRIC OVEN ASS. Y	01/09/1996-
019	37Q2331	INSULATING PANEL	01/09/1996-
020	37Q2341	INSULATING PANEL	01/09/1996-
021	35C6880	INSULATION PANEL COVER	01/09/1996-
022	35C0530	LH PANEL	01/09/1996-
023	32D1250	PIPE JOINT 3/4"	01/09/1996-
025	35Z0150	COVER	01/09/1996-
026	35Z0170	CABLE INLET PIPE	01/09/1996-
027	35Q2520	TERM. BOARD PROTECTION	01/09/1996-
028	30T2571	FOOT HOUSING ASS. Y	01/09/1996-
029	36D4000	ADJUSTABLE FOOT	01/09/1996-
030	35C0580	RH PANEL	01/09/1996-
031	35Q0810	HEATING ELEMENT GUARD	01/09/1996-
032	37Q2350	INSULATING PANEL	01/09/1996-
033	30M1821	TOP ASS. Y	01/09/1996-
034	36A2600	PAN REST	01/09/1996-
035	30Q2010	FAN GUARD	01/09/1996-
036	34A1123	BURNER CAP Ø 90	01/09/1996-
037	34A1380	BURNER Ø 90	01/09/1996-
038	34A1133	BURNER CAP Ø 110	01/09/1996-
039	34A1391	BURNER Ø 110	01/09/1996-
040	35B2070	FLUE GUARD	01/09/1996-
041	36M2400	ELECTRIC CONTROL KNOB	01/09/1996-
042	35B2185	REAR PANEL	01/09/1996-
043	32W0631	SWITCH	01/09/1996-
044	35B3420	UPPER CONTROL BOARD	01/09/1996-
045	36D3430	LH END SIDE	01/09/1996-
046	36M3050	GAS CONTROL KNOB	01/09/1996-
047	3170290	KNOB SPRING	01/09/1996-
048	35S1290	BRACKET	01/09/1996-
049	3106710	GREEN LIGHT 230V	23/05/2007-
050	3106730	ORANGE LIGHT 230V	23/05/2007-
051	36D3420	RH END SIDE	01/09/1996-
052	32G0151	HEATING EL.	01/09/1996-

Pos	Code	Description	Info
052	32G1350	HEATING EL.	01/09/1996-
052	32G1600	HEATING EL. 2600W. 220V	01/09/1996-
053	32G1590	HEATING EL. 2600W. 220V	01/09/1996-
053	32G1621	HEATING ELEMENT 2600W 400V	01/09/1996-
053	32G1630	HEATING EL.	01/09/1996-
054	35U4362	"U" BRACKET	01/09/1996-
055	35U5891	"U" BRACKET	01/09/1996-
056	37Q2400	INSULATING PANEL	01/09/1996-
057	35D4480	INS. PANEL BOTTOM	01/09/1996-
058	36D8492	FEELER SUPPORT	01/09/1996-
059	35V0700	SPACER	01/09/1996-
060	35S5420	""""OMEGA"" BRACKET"	01/09/1996-
061	32D0870	TERMINAL CLAMP	24/01/1997-
062	32D0970	GROUND TERMINAL	24/01/1997-
063	32D0950	LIVE TERMINAL	24/01/1997-
064	32D0960	TERMINAL END COVER	24/01/1997-
065	31A7380	SCREW TE M5X10	01/09/1996-
066	3128460	WASHER	01/09/1996-
067	30Z7221	GAS MANIFOLD	01/09/1996-
068	32Z3551	THERMOSTAT 50-300°	01/09/1996-
069	35S0140	CROSS MEMBER	01/09/1996-
070	35Z0130	LON. SECTION SUPPORT	01/10/1996-
071	33D1170	GAS CONTROL	01/09/1996-
072	36Q0080	BICONE Ø 10X6.5	01/09/1996-
073	36Q0830	BICONE NUT Ø 10	01/09/1996-
074	35Z7410	PIPE	01/09/1996-
075	35Z7430	PIPE	01/09/1996-
076	31B8800	SCREW	01/09/1996-
077	33A0680	THERMOCOUPLE M8X1X600	13/06/2001-
078	35V0260	"C" BRACKET	01/09/1996-
079	36D2771	BURNER SUPPORT	01/09/1996-
080	33A0200	PILOT BURNER ASS.Y	01/09/1996-
081	35V9130	PILOT BURNER SUPPORT	01/09/1996-
082	33A0970	RING NUT	01/09/1996-
083	33A1070	ONE-FLAME BURNER	01/09/1996-
084	33A0950	REAR BRACKET	01/09/1996-
085	35Z7400	PIPE	01/09/1996-
086	35Z7420	PIPE	01/09/1996-
087	32Z9202	SAFETY THERMOSTAT	10/11/2004-
088	35T9650	FLAT BRACKET	01/09/1996-
089	35G0151	COVER	01/09/1996-
090	35D4670	FLUE DEVIATION	01/09/1996-
091	35Q0671	CONVEYOR	01/09/1996-
092	37Q2430	INSULATING PANEL	01/09/1996-
093	37A4701	INSULATING PANEL	01/09/1996-
094	35Q2470	PROTECTION HOUSING	01/09/1996-
095	35Z2140	SPACER PIPE	01/09/1996-
096	35T1971	""""L"" BRACKET"	01/09/1996-
097	35V0250	"U" BRACKET	01/09/1996-
098	35Q1220	INSULATION PANEL COVER	01/09/1996-
099	35Q7210	MOTOR PROTEC.	01/09/1996-

Pos	Code	Description	Info
100	35T4320	PLATE "L" BRACKET	01/09/1996-
101	32M0370	FAN	01/09/1996-
102	32Z4310	CONDENSER	01/09/1996-
103	32M4301	MOTOR	01/09/1996-
104	35D4760	FLUE FRONT PANEL	01/09/1996-
105	35D4750	FLUE REAR PANEL	01/09/1996-
106	35V3590	"L" BRACKET	01/09/1996-
107	36Q0550	LOCK NUT M12X1.5	01/09/1996-
108	35Q1960	FLAT BRACKET	01/09/1996-
109	35Q8290	LEFT HAND PANEL	01/09/1996-
110	35Q8300	RIGHT HAND PANEL	01/09/1996-
111	35T3891	FLAT BRACKET	24/01/1997-
112	35T4010	FLAT BRACKET	01/09/1996-
113	35Z1930	SPACER PIPE	01/09/1996-
114	35Z2230	SPACER PIPE	01/09/1996-
115	32Q2365	EL. CABLES 31GE	01/09/1996-
116	32X0120	GROMMETØ 21	24/01/1997-
117	37Q3270	SWITCH COVER	24/01/1997-
118	3150790	THERMOSTAT PROTECT.	03/03/2001-