

Зип Общепит

vsezip.ru

+7(812)987-08-81



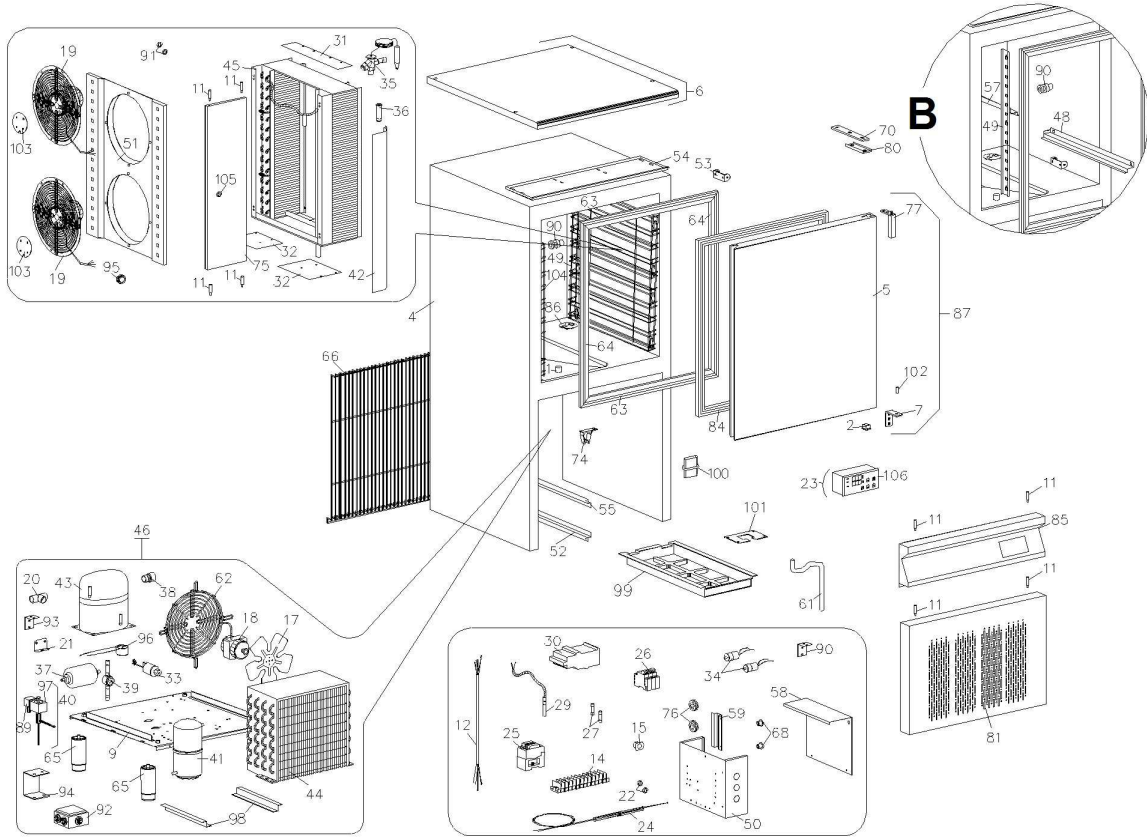
ART2SD

Edition 20090901-

Зип Общепит

vsezip.ru

+7(812)987-08-81



Pos	Code	Description	Info
002	3178300	PLUG	15/12/1997-
004	30D5710	FRAME	15/12/1997-
005	30F0460	DOOR	15/12/1997-
005	30F0930	DOOR	26/10/2001-
006	6006300	TOP	15/12/1997-
007	35C5600	BOTTOM BRACKET	19/06/2001-
009	30W4150	TRAY X ASSEMBLY	20/12/2001-
011	31X0330	PIN	31/03/2000-
012	32A1960	POWER SUPPLY CABLE	15/12/1997-
013	32D0700	CABLE CLAMP	15/12/1997-
014	32D1300	TERMINAL BOARD	15/12/1997-
015	32D1350	CABLE CLAMP	15/12/1997-
017	32M5311	FAN	15/12/1997-
018	32M4701	MOTOR	15/12/1997-
019	32M6610	FAN	21/12/2001-
020	33Q6190	"T" JOINT	15/12/1997-
021	35R4110	SUPPORT	15/12/1997-
022	32X0220	FAIRLEAD	15/12/1997-
023	32V0421	HORIZONTAL PCB 4 BLAST CHILLER	18/09/1999-
024	32V0441	PIN PROBE	06/07/1999-
025	32Z9250	SWITCH	15/12/1997-
026	32Z9500	FUSE-HOLDER	15/12/1997-
027	32Z9520	FUSE	15/12/1997-
029	32V0150	TEMP. PROBE	24/06/1999-
030	32Z7960	RELAY	15/12/1997-
031	35P0440	TOP EVAP. HEAD	15/12/1997-
032	35P0450	BOTTOM EVAP. HEAD	15/12/1997-
033	32Z9910	PRESSURE-SWITCH	15/12/1997-
034	32V5160	CONDENSER	20/01/2002-
035	33A0870	THERMOST. VALVE	15/12/1997-
036	33A0840	BORE	15/12/1997-
037	33A0350	FILTER	15/12/1997-
038	33A1200	AUXIL.VALVE	15/12/1997-
039	33D0740	FLOW-ON LIGHT	15/12/1997-
040	33G0070	VALVE	15/12/1997-
041	33G1170	DRIP TRAY	15/05/2002-
042	35C6321	CONVEYOR	31/07/1998-
043	34D5940	COMPRESSOR	15/12/1997-
044	34D5190	CONDEN.+BAFFLE	15/12/1997-
045	34D6380	EVAPORATOR	30/10/1998-
046	34E0480	MOTOR ASS.Y	20/12/2001-
048	35P2470	RH GUIDE	15/12/1997-
049	35P2380	RACK 6T NF	21/12/1999-
049	36C4280	RACK	06/04/2002-
050	35C8280	PANEL BOARD	15/12/1997-
051	3AA4430	EVAPORATOR GUARD	31/05/2001-
051	3AA4650	EVAP. GUAR	21/12/2001-
052	35C5830	GUIDE	15/12/1997-
053	35C9840	PROBE SUPPORT	06/04/2002-
054	35C5940	"OMEGA" BRACKET	15/12/1997-
055	35C7250	GUIDE	15/12/1997-

Pos	Code	Description	Info
057	35P2460	LH GUIDE	15/12/1997-
058	35C8290	COVER	15/12/1997-
059	35S4540	"OMEGA" BRACKET	15/12/1997-
061	35X4410	DRAIN PIPE	15/12/1997-
062	36C3061	FAN.PROT.	11/05/1999-
063	36C2390	TRIM FRAME	15/12/1997-
064	36C2411	TRIM FRAME	15/12/1997-
065	36C3690	ST-STEEL FO	20/12/2001-
065	36C4920	ST-STEEL FO	20/12/2001-
066	36E1450	PROTECT GRI	12/07/1999-
068	36D4440	PIN	15/12/1997-
070	36D9490	TOP BRACKET	15/12/1997-
074	36E0350	CABLE CAMP	15/12/1997-
075	35P3030	RISER	06/06/2001-
076	36G3940	PULLEY	15/12/1997-
077	36G6520	HINGE	15/12/1997-
080	3600770	SPACER	15/12/1997-
081	3AA2480	PROTECTION	15/12/1997-
084	37Q3800	GASKET	15/12/1997-
085	3AA2930	CONTROL BOARD	15/12/1997-
086	30G3710	PLUG	15/12/1997-
087	6009030	DOOR UNIT	15/12/1997-
087	6013330	DOOR ASS.Y	26/10/2001-
088	32Q4130	CABLE GROUP	15/12/1997-
089	32D0710	THREE-POLE CONNECTOR	16/05/1998-
090	36G8140	PIN	11/09/1998-
091	32X0110	FAIRLEAD	16/11/1998-
092	32D1380	BOX	15/12/1997-
093	35R1500	SUPPORT	15/12/1997-
094	35R7450	SUPPORT	03/05/1999-
095	36Z0490	ENGINE CUTOOUT	15/12/1997-
096	32V0950	ENGINE CUTO	15/12/1997-
097	32Z2750	COIL	15/12/1997-
098	35R8420	""""S""FRAME"	12/11/1999-
099	36Z0300	COND. TRAY	12/11/1999-
100	33Q4390	COUPLING TUBES	12/11/1999-
101	35Y2550	PLATE	15/06/2001-
102	36G9410	PIN	19/06/2001-
103	35Y3790	PROTECTION MOTOR	28/11/2001-
104	36C5250	RACK	06/04/2002-
105	36Z2060	PROBE STOPPER	17/07/2004-
106	37N5060	SILK-SCREE.PANEL	01/09/2009-