

Зип Общепит

vsezip.ru

+7(812)987-08-81



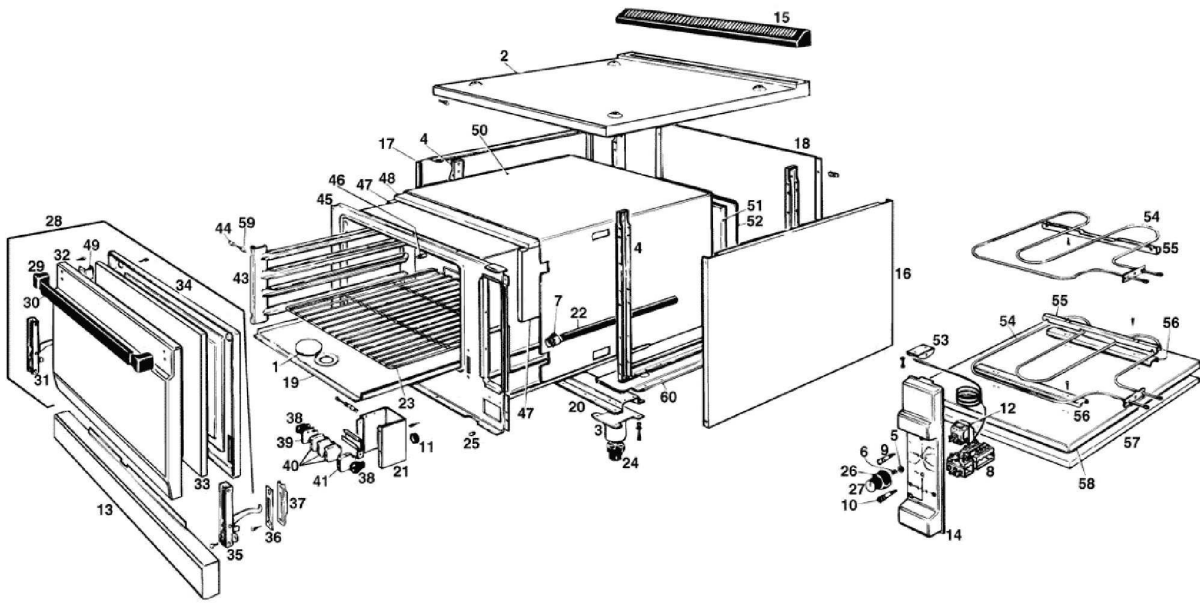
**FS30E**

**Edition 20070523-**

Зип Ощепит

vsezip.ru

+7(812)987-08-81



Pos	Code	Description	Info
001	30D1260	OVEN PLATE HOLE COVER	01/09/1993-
002	30G1040	OVEN COVER ASS. Y	01/09/1993-
003	30T1741	FOOT HOUSING ASS. Y	01/09/1993-
004	30T2110	SIDE FRAME ASS. Y	01/09/1993-
005	3150790	THERMOSTAT PROTECT.	01/09/1993-
006	3170290	KNOB SPRING	01/09/1993-
007	32D0510	JOINT 3/4"	01/09/1993-
008	32W1440	SWITCH	01/09/1993-
009	3106710	GREEN LIGHT 230V	23/05/2007-
009	6300652	GREEN LIGHT 400V ASS.Y	23/05/2007-
010	3106730	ORANGE LIGHT 230V	23/05/2007-
010	6300651	ORANGE LIGHT 400V ASS.Y	23/05/2007-
011	32X0120	GROMMETØ 21	01/09/1993-
012	32Z2560	THERMOSTAT 50-300° C	01/09/1993-
013	35A8100	LOWER FRONT PANEL	01/09/1993-
014	35A8500	SIDE CONTROL BOARD	01/09/1993-
015	35A9090	FLUE GUARD	01/09/1993-
016	35B0170	RH PANEL	01/09/1993-
017	35B0180	LH PANEL	01/09/1993-
018	35B0190	REAR PANEL	01/09/1993-
019	35D3100	OVEN BOTTOM PLATE	01/09/1993-
020	35U3300	""OMEGA"" BRACKET"	01/09/1993-
021	35U3890	TERM. BOARD SUPPORT	01/09/1993-
022	35U7610	CABLE INLET PIPE	01/09/1993-
023	36A0990	OVEN GRID	01/09/1993-
024	36D2760	EXAGONAL FOOT SCREW	01/09/1993-
025	36G2050	PIN	01/09/1993-
026	36M2620	ELECTRIC CONTROL	01/09/1993-
027	36M2800	KNOB KNOB PLATE	01/09/1993-
028	6000570	OVEN DOOR ASS. Y	01/09/1993-
029	36M2910	TERMINAL	01/09/1993-
030	36M2441	HANDLE	01/09/1993-
031	36M2430	LEFT HAND HINGE	01/09/1993-
032	35G1930	OVEN DOOR	01/09/1993-
033	37Q1880	INSULATING PANEL	01/09/1993-
034	35G1940	INNER DOOR FRAME ASS. Y	01/09/1993-
035	36M2420	RIGHT-HAND HINGE	01/09/1993-
036	35U3170	FLAT BRACKET	01/09/1993-
037	36M0270	HINGE CATCH	01/09/1993-
038	32D0060	TERMINAL CLAMPING BOARD	01/09/1993-
039	32D0490	TERMINAL END COVER	01/09/1993-
040	32D0470	LIVE TERMINAL	01/09/1993-
041	32D0480	GROUND TERMINAL	01/09/1993-
042	32D0500	"C" BRACKET	01/09/1993-
043	30T1750	TRAY RACK ASS. Y	01/09/1993-
044	36G3680	BUSHING Ø 8	01/09/1993-
045	30D1420	ELECTRIC OVEN ASS. Y	01/09/1993-
046	36G2590	PIN	01/09/1993-
047	37Q1930	INSULATING PANEL	01/09/1993-
048	37Q1920	INSULATING PANEL	01/09/1993-
049	35U3150	""C"" BRACKET"	01/09/1993-

Pos	Code	Description	Info
050	35D3041	INS. PANEL COVERING	01/09/1993-
051	37Q1910	INSULATING PANEL	01/09/1993-
052	35D3050	INSULATION PANEL COVER	01/09/1993-
053	35U4210	"U" BRACKET	01/09/1993-
054	32G0951	HEATING EL. 2700W- 400V	01/09/1993-
054	32G1070	HEATING EL. 415V	01/09/1993-
054	32G1220	2700W HEATING EL.	01/09/1993-
054	32G1450	HEATING EL. 440V 2700W	01/09/1993-
055	35U4362	"U" BRACKET	01/09/1993-
056	35U5891	"U" BRACKET	01/09/1993-
057	37Q1950	INSULATING PANEL	01/09/1993-
058	35Q5480	LOWER INS. PANEL COVER	01/09/1993-
059	31V0140	SCREW M6X12	01/09/1993-
060	35Q6560	"L" BRACKET	01/09/1993-
061	32Q1700	EL. CABLES FES30	01/09/1993-