

Зип Общепит

vsezip.ru

+7(812)987-08-81



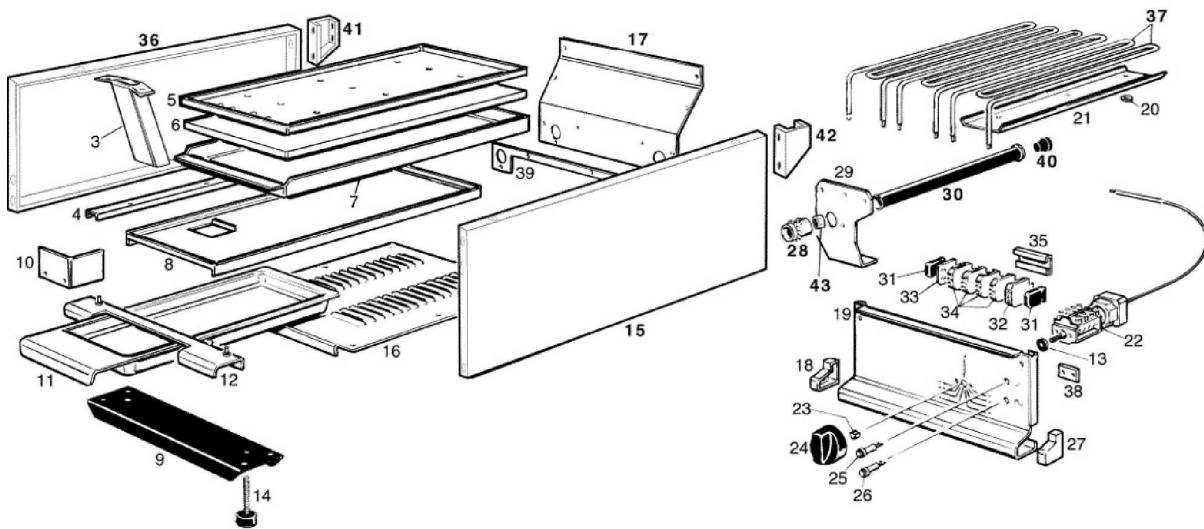
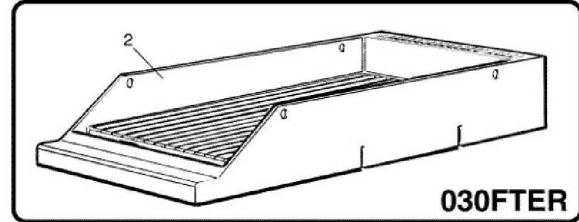
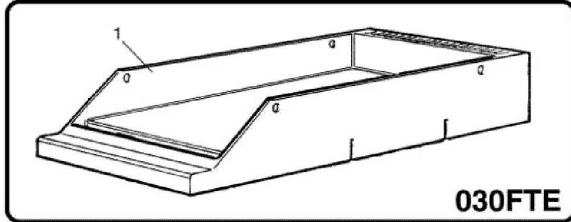
030FTE

Edition 20070523-

Зип Ощепит

vsezip.ru

+7(812)987-08-81



| Pos | Code | Description | Info |
|-----|---------|-------------------------|-------------|
| 001 | 30M2210 | SMOOTH PLATE ASS. Y | 01/09/1996- |
| 003 | 3AD0020 | CONVEYOR ASS.Y | 01/09/1996- |
| 004 | 35T8011 | "U" BRACKET | 01/09/1996- |
| 005 | 35T5390 | HEATING EL. SUPPORT | 01/09/1996- |
| 006 | 37Q2430 | INSULATING PANEL | 01/09/1996- |
| 007 | 35A3961 | INSULATION PANEL COVER | 01/09/1996- |
| 008 | 3AT0370 | TRAY SUPPORT ASS. Y | 01/09/1996- |
| 009 | 30T2531 | FOOT HOUSING ASS. Y | 01/09/1996- |
| 010 | 35S5300 | "L" BRACKET | 01/09/1996- |
| 011 | 35W3200 | DRIP TRAY | 01/09/1996- |
| 012 | 35B4070 | BRACKET | 01/09/1996- |
| 013 | 3150790 | THERMOSTAT PROTECT. | 01/09/1996- |
| 014 | 36D2970 | ADJUSTABLE FOOT | 01/09/1996- |
| 015 | 35C0600 | RH PANEL | 01/09/1996- |
| 016 | 35D4460 | BOTTOM PLATE | 01/09/1996- |
| 017 | 35B2022 | REAR PANEL | 01/09/1996- |
| 018 | 36D3430 | LH END SIDE | 01/09/1996- |
| 019 | 35B4110 | UPPER CONTROL BOARD | 01/09/1996- |
| 020 | 3121430 | WASHER | 01/09/1996- |
| 021 | 35S0560 | "U" BRACKET | 01/09/1996- |
| 022 | 32Z3790 | THERMOSTAT 100- 300° C | 01/09/1996- |
| 023 | 3170290 | KNOB SPRING | 01/09/1996- |
| 024 | 36M2400 | ELECTRIC CONTROL KNOB | 01/09/1996- |
| 025 | 3106710 | GREEN LIGHT 230V | 23/05/2007- |
| 026 | 3106730 | ORANGE LIGHT 230V | 23/05/2007- |
| 027 | 36D3420 | RH END SIDE | 01/09/1996- |
| 028 | 32D1250 | PIPE JOINT 3/4" | 01/09/1996- |
| 029 | 35S5020 | "L" BRACKET | 01/09/1996- |
| 030 | 35X3600 | CABLE INLET PIPE | 01/09/1996- |
| 031 | 32D0060 | TERMINAL CLAMPING BOARD | 01/09/1996- |
| 032 | 32D0480 | GROUND TERMINAL | 01/09/1996- |
| 033 | 32D0490 | TERMINAL END COVER | 01/09/1996- |
| 034 | 32D0470 | LIVE TERMINAL | 01/09/1996- |
| 035 | 32D0500 | "C" BRACKET | 01/09/1996- |
| 036 | 35C0590 | LH PANEL | 01/09/1996- |
| 037 | 32G1262 | HEATING ELEMENT | 01/09/1996- |
| 038 | 35T9650 | FLAT BRACKET | 01/09/1996- |
| 039 | 35S5310 | STIFFENING | 01/09/1996- |
| 040 | 32D1260 | BUSHING | 01/09/1996- |
| 041 | 35Q8290 | LEFT HAND PANEL | 01/09/1996- |
| 042 | 35Q8300 | RIGHT HAND PANEL | 01/09/1996- |
| 043 | 36Q1100 | LOCK NUT 3/4" | 01/09/1996- |
| 044 | 32Q2670 | CABLE ASS.Y | 01/09/1996- |