

Зип Общепит

vsezip.ru

+7(812)987-08-81



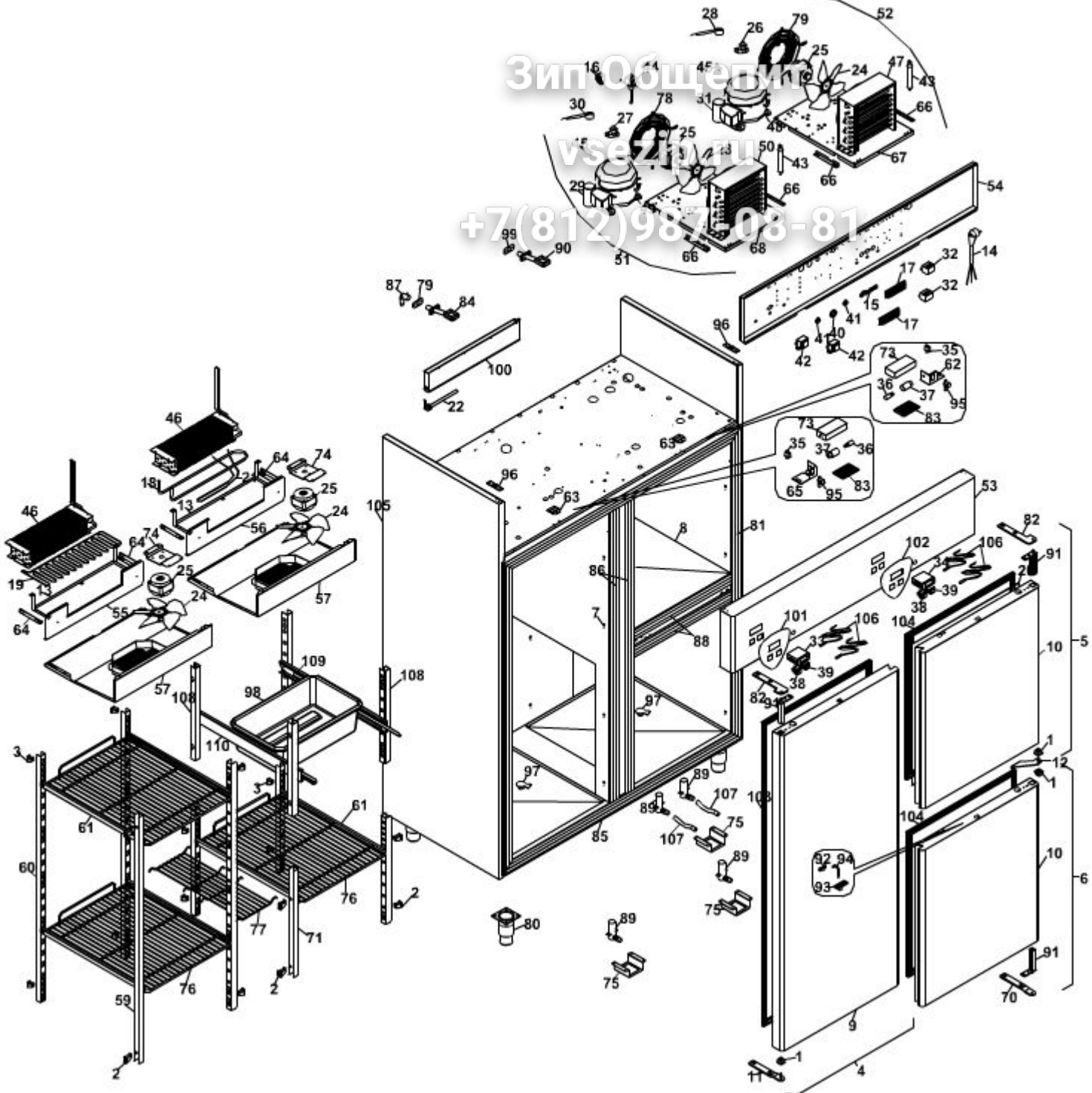
**CX150CP**

**Edition 20050223-**

Зип-Общепит

vse-in.ru

+7(812)987-08-81



| Pos | Code    | Description               | Info        |
|-----|---------|---------------------------|-------------|
| 001 | 3178300 | PLUG                      | 30/06/2002- |
| 002 | 3601350 | RACK SUPPORT              | 21/02/2003- |
| 003 | 3601360 | RACK SUPPORT              | 21/02/2003- |
| 004 | 60A0760 | DOOR UNIT                 | 10/09/2002- |
| 005 | 60A0770 | DOOR UNIT                 | 10/09/2002- |
| 006 | 60A0780 | DOOR UNIT                 | 10/09/2002- |
| 007 | 30A6240 | INTERMEDIATE PANEL        | 21/02/2003- |
| 008 | 30A5280 | INTERMEDIATE PANEL        | 30/06/2002- |
| 009 | 30F1090 | FRIDGE DOOR               | 10/09/2002- |
| 010 | 30F1100 | FRIDGE DOOR               | 10/09/2002- |
| 011 | 30T4510 | BOTTOM BRACKET            | 30/06/2002- |
| 012 | 30T6760 | INTERMED. BRACKET         | 30/06/2002- |
| 013 | 30W3850 | COND. TRAY                | 30/06/2002- |
| 014 | 32A2200 | POWER SUPPLY CABLE        | 30/06/2002- |
| 015 | 32D0020 | CABLE CLAMP Ø 4 - 12      | 30/06/2002- |
| 016 | 32D0710 | THREE-POLE CONNECTOR      | 30/06/2002- |
| 017 | 32D0740 | TERMINAL BOARD            | 30/06/2002- |
| 018 | 32G0350 | HEATING ELEMENT           | 30/06/2002- |
| 019 | 32G1010 | HEATING ELEMENT           | 30/06/2002- |
| 020 | 32G1881 | RESISTOR                  | 30/06/2002- |
| 021 | 32G2420 | HEATING ELEMENT           | 30/06/2002- |
| 022 | 32G3310 | RESISTOR                  | 23/02/2005- |
| 023 | 32M1080 | FAN                       | 30/06/2002- |
| 024 | 32M2510 | FAN                       | 30/06/2002- |
| 025 | 32M6870 | FAN MOTOR                 | 30/06/2002- |
| 026 | 32V1210 | RELAY                     | 30/06/2002- |
| 027 | 32V1290 | RELAY                     | 30/06/2002- |
| 028 | 32V1360 | ENGINE CUTOUT             | 30/06/2002- |
| 029 | 32V1420 | CONDENSER                 | 30/06/2002- |
| 030 | 32V1450 | ENGINE CUTO               | 30/06/2002- |
| 031 | 32V1490 | CONDENSER                 | 30/06/2002- |
| 032 | 32V3720 | RELAY                     | 30/06/2002- |
| 033 | 32V6070 | THERMOREGULATOR           | 30/06/2002- |
| 034 | 32V6300 | THERMOREGULATOR           | 30/06/2002- |
| 035 | 32W3770 | MICROSWITCH               | 30/06/2002- |
| 036 | 32W3790 | LIGHT                     | 30/06/2002- |
| 037 | 32W3800 | LAMP-HOLDER               | 30/06/2002- |
| 038 | 32W3850 | humidity selection switch | 30/06/2002- |
| 039 | 32W3970 | BIPOLAR SWITCH            | 30/06/2002- |
| 040 | 32X0120 | GROMMET Ø 21              | 30/06/2002- |
| 041 | 32X0140 | GROMMET Ø13,5-Ø25         | 30/06/2002- |
| 042 | 32Z3470 | TRANSFORMER               | 30/06/2002- |
| 043 | 33A0180 | FILTER                    | 30/06/2002- |
| 044 | 33A0510 | DEFROST SOL. VALVE        | 30/06/2002- |
| 045 | 33A1200 | AUXIL.VALVE               | 30/06/2002- |
| 046 | 34D4260 | EVAPORATOR                | 30/06/2002- |
| 047 | 34D6180 | CONDEN.+BAFFLE            | 30/06/2002- |
| 048 | 34D6390 | COMPRESSOR R134a (TN)     | 30/06/2002- |
| 049 | 34D6760 | COMPRESSOR                | 30/06/2002- |
| 050 | 34D7300 | CONDENSER                 | 30/06/2002- |
| 051 | 34E0150 | MOTOR UNIT                | 30/06/2002- |

| Pos | Code    | Description                 | Info        |
|-----|---------|-----------------------------|-------------|
| 052 | 34E0790 | MOTOR UNIT                  | 30/06/2002- |
| 053 | 35E7050 | CONTROL BOARD               | 30/06/2002- |
| 054 | 35H4240 | COMPONENT GUARD             | 20/02/2004- |
| 055 | 35P3570 | CLOSING PLATE               | 30/06/2002- |
| 056 | 35P3620 | CLOSING PLATE               | 30/06/2002- |
| 057 | 3AQ0140 | EVAPORATOR GUARD            | 02/08/2002- |
| 059 | 35R9121 | RACK                        | 30/06/2002- |
| 060 | 35R9131 | RACK                        | 30/06/2002- |
| 061 | 35R9140 | GUIDE                       | 21/02/2003- |
| 062 | 35R9260 | LOCK SUPPORT                | 30/06/2002- |
| 063 | 35R9320 | SUPPORT                     | 30/06/2002- |
| 064 | 35R9850 | PROTECTION SUPPORT          | 30/06/2002- |
| 065 | 35U4230 | LOCK SUPPORT                | 30/06/2002- |
| 066 | 35V1710 | TRAY TRIM                   | 30/06/2002- |
| 067 | 35W0462 | TRAY ASS.Y                  | 30/06/2002- |
| 068 | 35W4350 | TRAY ASS.Y                  | 30/06/2002- |
| 070 | 35Y1680 | BOTTOM BRACKET              | 30/06/2002- |
| 071 | 35Y2190 | RACK                        | 21/02/2003- |
| 072 | 35Y2210 | RACK                        | 21/02/2003- |
| 073 | 35Y3090 | LAMP GUARD                  | 30/06/2002- |
| 074 | 35Y3830 | FAN SUPPORT                 | 30/06/2002- |
| 075 | 35Y5140 | DRAIN GUARD                 | 16/07/2002- |
| 076 | 36A0710 | GRID                        | 30/06/2002- |
| 077 | 36A4780 | UNION GRID                  | 30/06/2002- |
| 078 | 36C2020 | FAN GUARD                   | 30/06/2002- |
| 079 | 36C2031 | FAN GUARD                   | 30/06/2002- |
| 080 | 36C5600 | FOOT                        | 18/11/2002- |
| 081 | 36E2110 | FRAME TRIM                  | 30/06/2002- |
| 082 | 36E2120 | TOP BRACKET                 | 30/06/2002- |
| 083 | 36E2240 | LAMP PROTECTION GLASS SLIDE | 30/06/2002- |
| 084 | 36E2270 | CONDENS. DRAIN              | 30/06/2002- |
| 085 | 36E2280 | FRAME TRIM                  | 30/06/2002- |
| 086 | 36E2300 | FRAME TRIM                  | 30/06/2002- |
| 087 | 36E4750 | CONDENS. DRAIN              | 25/01/2003- |
| 088 | 36E2420 | FRAME TRIM                  | 30/06/2002- |
| 089 | 36E2510 | CONDENS. DRAIN              | 16/07/2002- |
| 090 | 36E3330 | CONDENS. DRAIN              | 30/06/2002- |
| 091 | 36G6520 | HINGE                       | 30/06/2002- |
| 092 | 36M0080 | LOCK U BOLT                 | 30/06/2002- |
| 093 | 36M0090 | LOCK BRACKET                | 30/06/2002- |
| 094 | 36M1380 | LOCKING HOOK                | 30/06/2002- |
| 095 | 36M7070 | KEY LOCK                    | 30/06/2002- |
| 096 | 36M7080 | HINGE                       | 30/06/2002- |
| 097 | 36Q1880 | DRAIN PLUG                  | 30/06/2002- |
| 098 | 36Z0291 | PLASTIC COATED TRAY         | 30/06/2002- |
| 099 | 36Z1410 | GASKET                      | 30/06/2002- |
| 100 | 36Z1530 | COND. TRAY                  | 30/06/2002- |
| 101 | 37N3270 | SILK-SCREE.PANEL            | 30/06/2002- |
| 102 | 37N3390 | SILK-SCREE.PANEL            | 30/06/2002- |
| 103 | 37Q4370 | DOOR GASKET                 | 30/06/2002- |
| 104 | 37Q4470 | DOOR GASKET                 | 30/06/2002- |

| Pos | Code    | Description | Info        |
|-----|---------|-------------|-------------|
| 105 | 40K0704 | BODY        | 30/06/2002- |
| 106 | 32V3730 | NTC PROBE   | 30/06/2002- |
| 107 | 35X1640 | DRAIN TRAP  | 16/07/2002- |
| 108 | 35Y7390 | RACK        | 21/02/2003- |
| 109 | 36M7660 | RH GUIDE    | 21/02/2003- |
| 110 | 36M7670 | LH GUIDE    | 21/02/2003- |