

Зип Общепит

vsezip.ru

+7(812)987-08-81



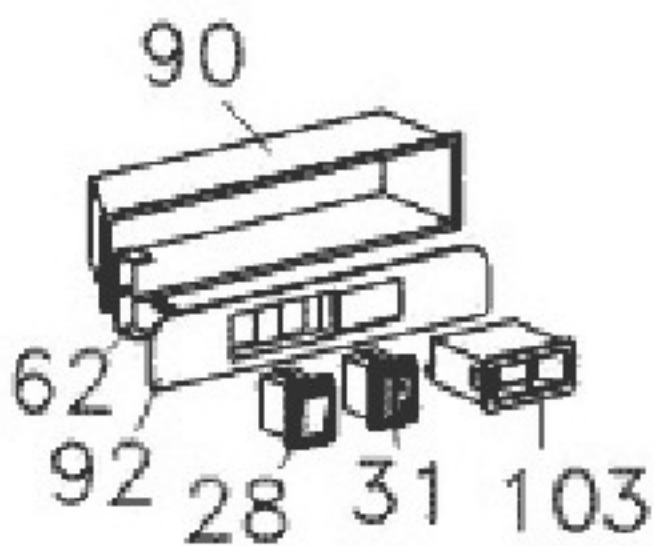
**65NB**

**Edition 20030709-**

Зип Общий

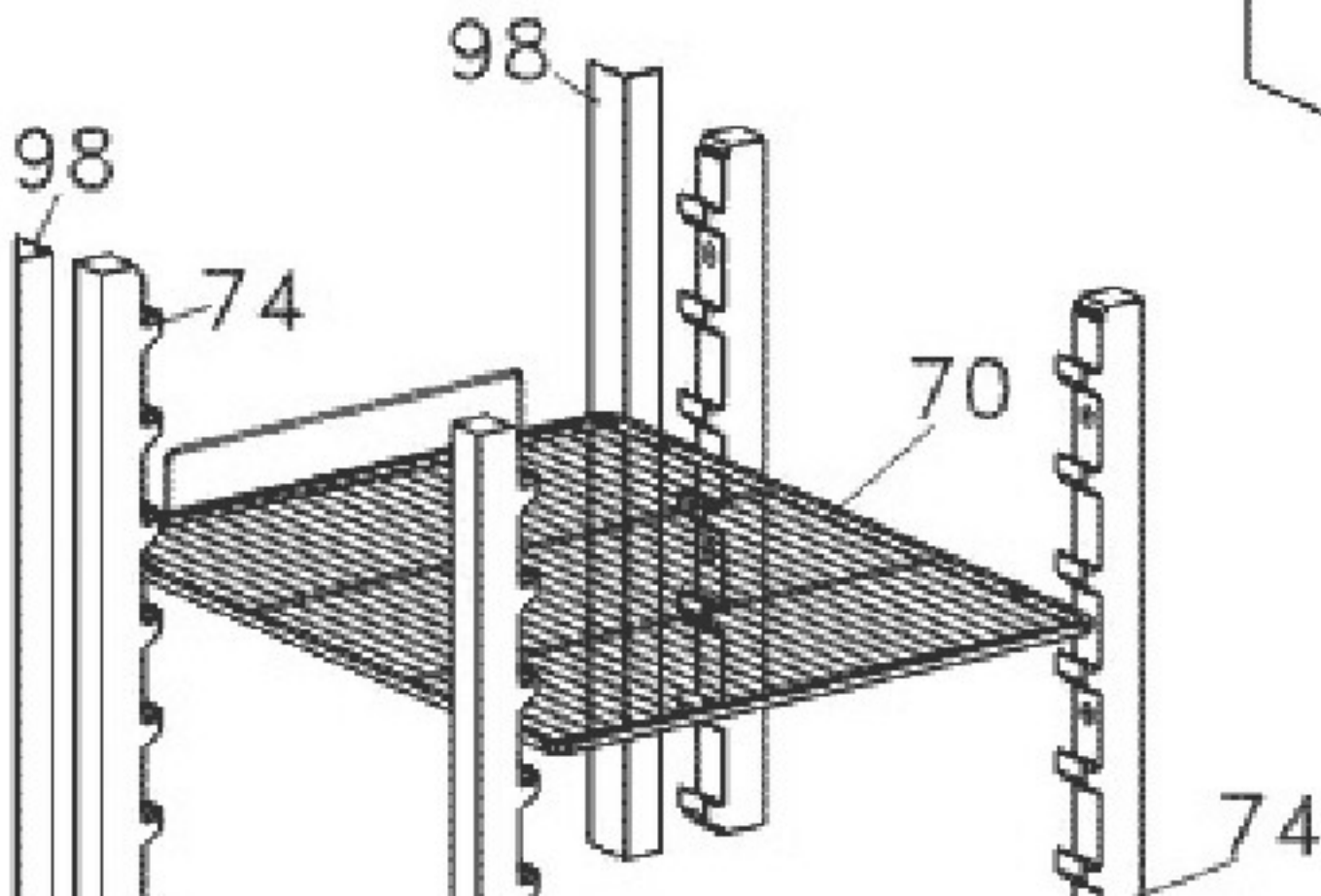
vsezip.ru

+7(812)987-08-81



65

53



Pos	Code	Description	Info
002	3178300	PLUG	29/01/2001-
003	3178310	PLUG	01/01/1996-
004	36E2790	CONDENS. DRAIN	19/06/2001-
005	6011970	DOOR UNIT	15/12/2001-
006	6011960	DOOR UNIT	15/12/2001-
007	30A2300	INTERMEDIATE PANEL	01/01/1996-
008	32G1820	HEATING ELEMENT	01/01/1996-
009	40A1059	BODY	01/01/1996-
010	30F1010	FRIDGE DOOR	15/12/2001-
010	30F1010	FRIDGE DOOR	15/12/2001-
011	3AA2370	EVAPORATOR GUARD	08/11/1996-
012	3AA2340	EVAPORATOR G	08/11/1996-
013	3AT1150	FOOT HOUSING	10/03/1997-
014	30T5900	INTERMED. BRACKET	01/01/1996-
015	30T5910	RH BOTTOM BRACKET	01/01/1996-
016	32A2200	POWER SUPPLY CABLE	05/08/1997-
017	32D0020	CABLE CLAMP Ø 4 - 12	01/01/1996-
018	32D0680	CABLE CLAMP	01/01/1996-
020	32D0740	TERMINAL BOARD	23/08/1999-
021	32G1010	HEATING ELEMENT	01/01/1996-
022	32M2510	FAN	23/08/1999-
023	32M3280	FAN	01/01/1996-
024	32M6860	FAN MOTOR	10/12/2001-
025	32M4041	MOTOR	23/08/1999-
025	32M6870	FAN MOTOR	05/12/2001-
026	32W1320	MICROSWITCH	01/01/1996-
027	32W1260	MICROSWITCH	01/01/1996-
028	32W2331	BIPOLAR SWITCH	01/01/1996-
029	32W2350	LAMP	01/01/1996-
030	32W2360	LAMP-HOLDER	01/01/1996-
031	32W3190	PILOT-LIGHT 1-POLE	01/01/1996-
032	32X0120	SWITCH GROMMETØ 21	01/01/1996-
033	32X0340	GROMMET	01/01/1996-
034	32V1830	CONDENSER	23/08/1999-
037	32V5230	DIGITAL THERMOREGULATOR	20/01/2001-
040	32V2570	RELAY	23/08/1999-
041	32V2580	ENGINE CUTOU	23/08/1999-
043	33A1200	AUXIL.VALVE	23/08/1999-
044	33A0180	FILTER	23/08/1999-
045	34D6170	CONDEN.+BAFF	23/08/1999-
046	34D4470	EVAPORATOR	01/01/1996-
047	34D4480	EVAPORATOR	01/01/1996-
048	34D8050	MOTOR UNIT	23/08/1999-
049	34D7250	COMPRESSOR R404A (BT)	23/08/1999-
050	3AA3700	CONTROL BOARD	23/08/1999-
051	35G6350	COVER	01/01/1996-
052	36C2031	FAN GUARD	23/08/1999-
053	35G6560	MOTOR ROOM HEAD	01/01/1996-
055	35Q2660	PANEL BOARD	01/01/1996-
057	35S3050	TRAY SLIDE	01/01/1996-
058	35V2080	EVAP. GUARD SUPPORT	01/01/1996-

Pos	Code	Description	Info
059	35V0370	FRONT GUARD SUPPORT	01/01/1996-
060	35V0880	STIFFENING	01/01/1996-
061	35V2660	LOCK SUPPORT	01/01/1996-
062	35V1010	CONTROL BOARD C	23/08/1999-
064	35V2130	RESISTOR FASTENER	01/01/1996-
065	35V2260	STIFFENING	01/01/1996-
066	35V2880	FAN SUPPORT	01/01/1996-
067	32G1960	HEATING ELEMENT	01/01/1996-
068	35W4820	ASSEMBLY TRA	23/08/1999-
069	35X1640	DRAIN TRAP	01/01/1996-
070	36A0710	GRID	06/12/1997-
071	36D1260	TRIM FRAME	01/01/1996-
072	36D1290	TRIM FRAME	01/01/1996-
073	36D1300	TRIM FRAME	01/01/1996-
074	36D2250	RACK	01/01/1996-
075	36D7100	CONDENS. DRAIN	01/01/1996-
076	35V8911	SUPPORT	28/08/1998-
077	36D6860	FOOT	01/01/1996-
078	36D9480	LOCK BRACKET	01/01/1996-
079	36D9490	TOP BRACKET	01/01/1996-
080	36C3940	ST-STEEL FO	22/07/1999-
081	36D9980	TOP HANDLE GUARD	01/01/1996-
082	36D9990	BOTTOM HANDLE GUARD	01/01/1996-
083	36G6520	HINGE	01/01/1996-
084	36M0080	LOCK U BOLT	01/01/1996-
085	36M0090	LOCK BRACKET	01/01/1996-
086	36M1380	LOCKING HOOK	01/01/1996-
087	36M0140	KEY LOCK	01/01/1996-
089	36Z0300	COND. TRAY	01/01/1996-
090	36Z6410	COMPONENT GUARD	23/08/1999-
091	36Z6431	"TRAY ""TN"" 460X385X85"	01/01/1996-
092	36Z6401	CONTROL BOARD	09/07/2003-
093	37M4740	LAMP PANEL	01/01/1996-
094	37Q2600	DOOR GASKET	01/01/1996-
095	37Q7370	LAMP GASKET	01/01/1996-
096	3600770	SPACER	01/01/1996-
097	35G7170	RIGHT MOTOR ROOM HEAD	01/01/1996-
098	35V2090	PIPE GUARD	01/01/1996-
100	32W0271	LIGHT	01/01/1996-
101	32Z1090	THERMOSTAT	23/08/1999-
103	32V3410	DIGITAL THERMOREGULATOR	23/08/1999-
105	32Z3470	TRANSFORMER	23/08/1999-
106	32V3720	RELAY	20/07/2000-
107	34D7680	COMPRESSOR R134a (TN)	23/08/1999-
108	34D6490	CONDENSER	23/08/1999-
109	32V1850	ENGINE CUTOU	23/08/1999-
110	32V1840	RELAY	23/08/1999-
111	32V1830	CONDENSER	23/08/1999-
112	32Z9580	CONDENSER	23/08/1999-
113	32G0350	HEATING ELEMENT	02/10/1999-
114	35V1450	HEATING ELEMENT SUPPORT	02/10/1999-

Pos	Code	Description	Info
115	3170250	PLUG	29/01/2001-
116	35E2550	SUPPORT	19/06/2001-

Зип Общепит

vsezip.ru

+7(812)987-08-81