

Зип Общепит

vsezip.ru

+7(812)987-08-81



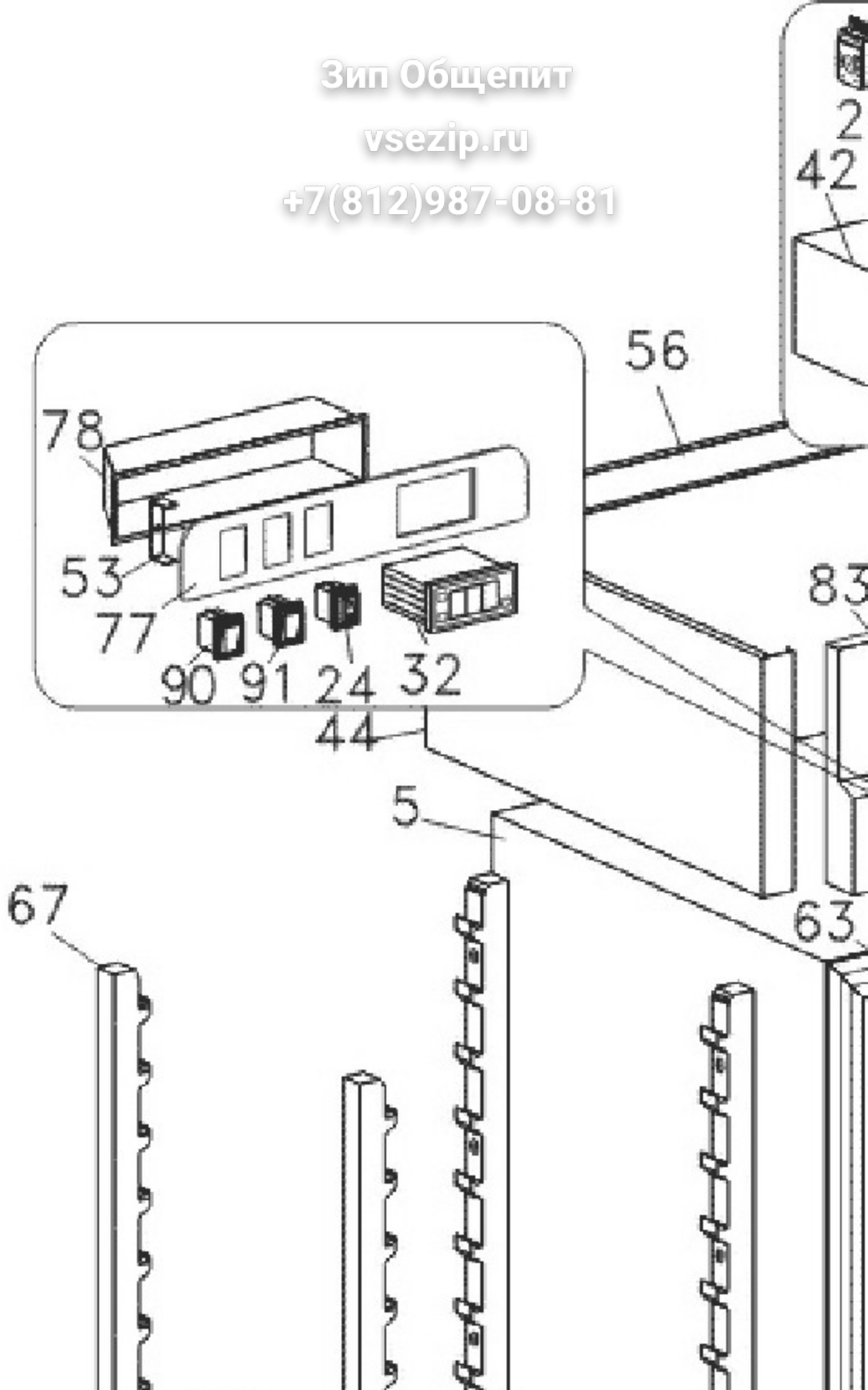
135NN

Edition 20030709-

Зип Общепит

vsezip.ru

+7(812)987-08-81



Pos	Code	Description	Info
002	3178300	PLUG	01/01/1996-
003	36E2790	CONDENS. DRAIN	19/06/2001-
004	6011950	DOOR UNIT	15/12/2001-
005	40K7050	BODY	01/01/1996-
006	30F1000	FRIDGE DOOR	15/12/2001-
007	3AA2390	EVAP.GUARD	08/11/1996-
008	3AT1150	FOOT HOUSING	10/03/1997-
009	30T5810	BOTTOM BRACKET	01/01/1996-
010	32A2200	POWER SUPPLY CABLE	16/05/1997-
011	36Z0490	ENGINE CUTOUT	29/07/1999-
012	32D0680	CABLE CLAMP	01/01/1996-
013	32D0710	THREE-POLE CONNECTOR	01/01/1996-
014	32D0761	TERMINAL BOARD	01/01/1996-
015	32G1820	HEATING ELEMENT	01/01/1996-
016	32M1080	FAN	01/01/1996-
017	32M3280	FAN	01/01/1996-
018	32M6860	FAN MOTOR	10/12/2001-
019	32M6870	FAN MOTOR	05/12/2001-
020	32W1320	MICROSWITCH	01/01/1996-
021	32W2331	BIPOLAR SWITCH	29/07/1999-
022	32W2350	LAMP	01/01/1996-
023	32W2360	LAMP-HOLDER	01/01/1996-
024	32W3190	PILOT-LIGHT 1-POLE SWITCH	01/01/1996-
025	32X0120	GROMMETØ 21	01/01/1996-
026	32X0340	GROMMET	01/01/1996-
027	32V1420	CONDENSER	08/06/1999-
028	32Z2750	COIL	01/01/1996-
029	32Z2421	DEFROST TIMER	01/01/1996-
030	32V1450	ENGINE CUTO	08/06/1999-
031	32V1290	RELAY	08/06/1999-
032	32V2690	DIGITAL THERMOREGULATOR	29/07/1999-
035	33A0510	DEFROST SOL. VALVE	01/01/1996-
036	33A1200	AUXIL.VALVE	01/01/1996-
037	33A0180	FILTER	01/01/1996-
038	34D6760	COMPRESSOR	08/06/1999-
039	34D7300	CONDENSER	08/06/1999-
040	34D2600	EVAPORATOR	01/01/1996-
041	34D9380	MOTOR UNIT	06/07/2000-
042	35G6350	COVER	01/01/1996-
043	35G6520	COVER	01/01/1996-
044	35G6560	MOTOR ROOM HEAD	01/01/1996-
045	35Q2660	PANEL BOARD	01/01/1996-
046	35Q7350	MICROSWITCH GUARD	01/01/1996-
047	35S3050	TRAY SLIDE	01/01/1996-
048	35V2880	FAN SUPPORT	01/01/1996-
049	35V0360	GUARD SUPPORT	01/01/1996-
050	35V0370	FRONT GUARD SUPPORT	01/01/1996-
051	35V0880	STIFFENING	01/01/1996-
052	35V0890	LOCK SUPPORT	01/01/1996-
053	35V1010	CONTROL BOARD C	29/07/1999-
054	35V1710	TRAY TRIM	01/01/1996-

Pos	Code	Description	Info
055	35V2130	RESISTOR FASTENER	01/01/1996-
056	35V2270	STIFFENING	01/01/1996-
057	35W3360	FLUID TANK	01/01/1996-
058	35W4350	TRAY ASS.Y	01/01/1996-
059	35X1640	DRAIN TRAP	01/01/1996-
060	35X1740	DRAIN PIPE	01/01/1996-
061	36A0710	GRID	06/12/1997-
062	36D3940	FRAME BORDER	01/01/1996-
063	36D1270	TRIM FRAME	01/01/1996-
064	36D1290	TRIM FRAME	01/01/1996-
065	36D7100	CONDENS. DRAIN	05/12/1998-
066	36C3940	ST-STEEL FO	22/07/1999-
067	36D9470	RACK	01/01/1996-
068	36D9480	LOCK BRACKET	01/01/1996-
069	36D9490	TOP BRACKET	01/01/1996-
070	36D9980	TOP HANDLE GUARD	01/01/1996-
071	36D9990	BOTTOM HANDLE GUARD	01/01/1996-
072	36G6520	HINGE	01/01/1996-
073	36M0140	KEY LOCK	01/01/1996-
075	36Q1400	PLUG	01/01/1996-
076	36Z0300	COND. TRAY	01/01/1996-
077	36Z6401	CONTROL BOARD	09/07/2003-
078	36Z6410	COMPONENT GUARD	29/07/1999-
079	36Z6431	"TRAY ""TN"" 460X385X85"	01/01/1996-
080	37M4740	LAMP PANEL	01/01/1996-
081	37Q2590	DOOR GASKET	01/01/1996-
082	37Q7370	LAMP GASKET	01/01/1996-
083	3AA3580	CONTROLBOARD	29/07/1999-
084	30A2130	INTERMEDIATE PANEL	01/01/1996-
085	3600770	SPACER	01/01/1996-
088	36C2020	FAN GUARD	01/01/1996-
089	35X4600	DRAIN PIPE	05/12/1998-
090	32W2990	LIGHT SWITCH	29/07/1999-
091	32W2070	SINGLE-POLE SWITCH	29/07/1999-
092	32Z1090	THERMOSTAT	18/07/2000-
093	32Z4910	RELAY	06/07/2000-
094	35E2550	SUPPORT	19/06/2001-