

Зип Общепит

vsezip.ru

+7(812)987-08-81



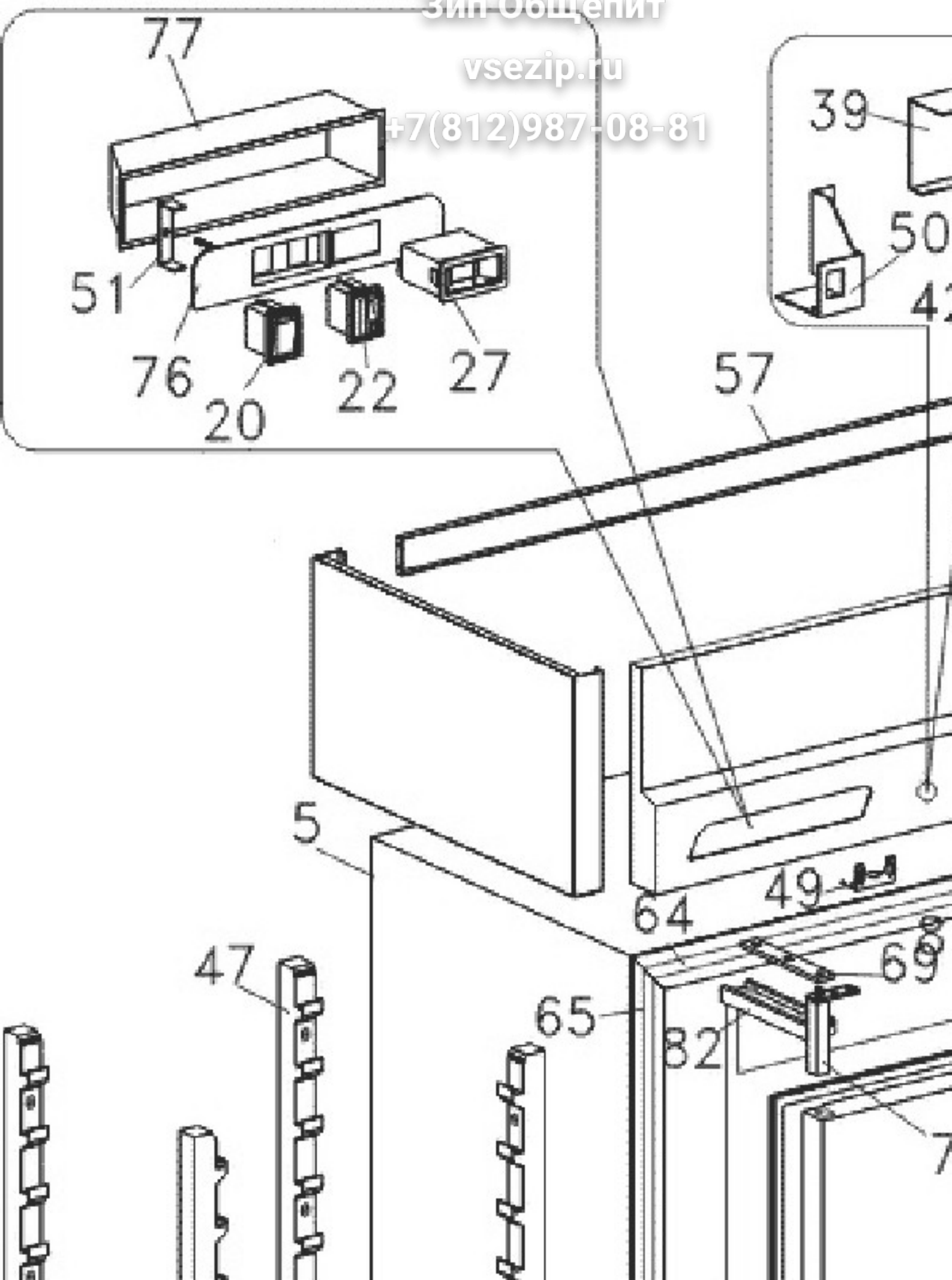
120B

Edition 20030709-

Зип-Общепит

vsezip.ru

+7(812)987-08-81



Pos	Code	Description	Info
002	3178300	PLUG	01/01/1996-
003	36E2790	CONDENS. DRAIN	22/06/2001-
004	6011950	DOOR UNIT	15/12/2001-
005	40K7210	BODY	01/01/1996-
006	30F1000	FRIDGE DOOR	15/12/2001-
008	3AT1150	FOOT HOUSING	10/03/1997-
009	30T5810	BOTTOM BRACKET	01/01/1996-
010	32A2200	POWER SUPPLY CABLE	05/08/1997-
011	36Z0490	ENGINE CUTOUT	28/10/1999-
012	32D0020	CABLE CLAMP Ø 4 - 12	28/10/1999-
013	32D0740	TERMINAL BOARD	28/10/1999-
014	32G1800	HEATING ELEMENT	01/01/1996-
015	32G1810	HEATING ELEMENT	01/01/1996-
016	32G1850	HEATING ELEMENT	01/01/1996-
017	32M1080	FAN	01/01/1996-
018	32M6870	FAN MOTOR	07/12/2001-
019	32M4041	MOTOR	20/11/1996-
020	32W0271	LIGHT	01/01/1996-
021	32W1320	MICROSWITCH	01/01/1996-
022	32W2331	BIPOLAR SWITCH	01/01/1996-
023	32X0120	GROMMET Ø 21	01/01/1996-
024	32X0340	GROMMET	01/01/1996-
025	32Z7710	CONDENSER	01/01/1996-
026	32Z1090	THERMOSTAT	28/10/1999-
027	32V3460	DIGITAL THERMOREGULATOR	28/10/1999-
030	32Z7610	RELAY	01/01/1996-
031	32Z7660	ENGINE CUTOUT	01/01/1996-
032	33A0190	FILTER	01/01/1996-
033	33A1200	AUXIL.VALVE	01/01/1996-
034	34D4811	CONDEN.+BAFFLE	18/12/1996-
035	34D2610	EVAPORATOR	01/01/1996-
036	34D4600	MOTOR ASS.Y	01/01/1996-
037	34D4550	COMPRESSOR	01/01/1996-
038	36E0980	PANEL-BOARD COVER	28/10/1999-
039	35G6520	COVER	01/01/1996-
040	35G6630	MOTOR ROOM HEAD	01/01/1996-
041	35R6810	PANEL BOARD	28/10/1999-
042	35Q7350	MICROSWITCH GUARD	01/01/1996-
043	35Q7530	EVAPORATOR GUARD	01/01/1996-
044	35Q7540	EVAPORATOR GUARD	01/01/1996-
045	35Q7550	CENTRAL EVAP.	01/01/1996-
046	35S3050	GUARD TRAY SLIDE	01/01/1996-
047	35T5060	RACK SUPPORT	01/01/1996-
048	35V0360	GUARD SUPPORT	01/01/1996-
049	35V0880	STIFFENING	01/01/1996-
050	35V0890	LOCK SUPPORT	01/01/1996-
051	35V1010	CONTROL BOARD C	28/10/1999-
052	35V1450	HEATING ELEMENT SUPPORT	01/01/1996-
053	35V1691	GUARD STANDA	01/01/1996-
054	35V1710	TRAY TRIM	01/01/1996-
055	35V2120	RESISTOR FASTENER	01/01/1996-

Pos	Code	Description	Info
056	35V2140	RESISTOR FASTENER	01/01/1996-
057	35V2270	STIFFENING	01/01/1996-
058	35V2940	FAN SUPPORT	01/01/1996-
059	35W4350	TRAY ASS.Y	01/01/1996-
060	35X1640	DRAIN TRAP	01/01/1996-
061	36A3010	GRID 600	01/01/1996-
062	36A3060	UNION GRID	01/01/1996-
063	36D1250	TRIM FRAME	01/01/1996-
064	36D1270	TRIM FRAME	01/01/1996-
065	36D1290	TRIM FRAME	01/01/1996-
066	36D7100	CONDENS. DRAIN	01/01/1996-
067	36C3940	ST-STEEL FO	22/07/1999-
069	36D9490	TOP BRACKET	01/01/1996-
070	36D9921	SPACER	22/03/1996-
071	36D9980	TOP HANDLE GUARD	01/01/1996-
072	36D9990	BOTTOM HANDLE GUARD	01/01/1996-
073	36G6520	HINGE	01/01/1996-
075	36Z0300	COND. TRAY	01/01/1996-
076	36Z6401	CONTROL BOARD	09/07/2003-
077	36Z6410	COMPONENT GUARD	28/10/1999-
078	36Z6441	PLASTIC-COATED	01/01/1996-
079	37Q2590	TRAY 860X432X85 DOOR GASKET	01/01/1996-
080	3AA3840	CONTROL BOARD	28/10/1999-
081	30A9570	CENTRAL RISER	01/01/1996-
082	3600770	SPACER	01/01/1996-
083	32G1800	HEATING ELEMENT	01/01/1996-
086	36C2020	FAN GUARD	01/01/1996-
087	32Z3470	TRANSFORMER	28/10/1999-
089	32V3720	RELAY	20/07/2000-
090	35E2550	SUPPORT	22/06/2001-