

Зип Общепит

vsezip.ru

+7(812)987-08-81



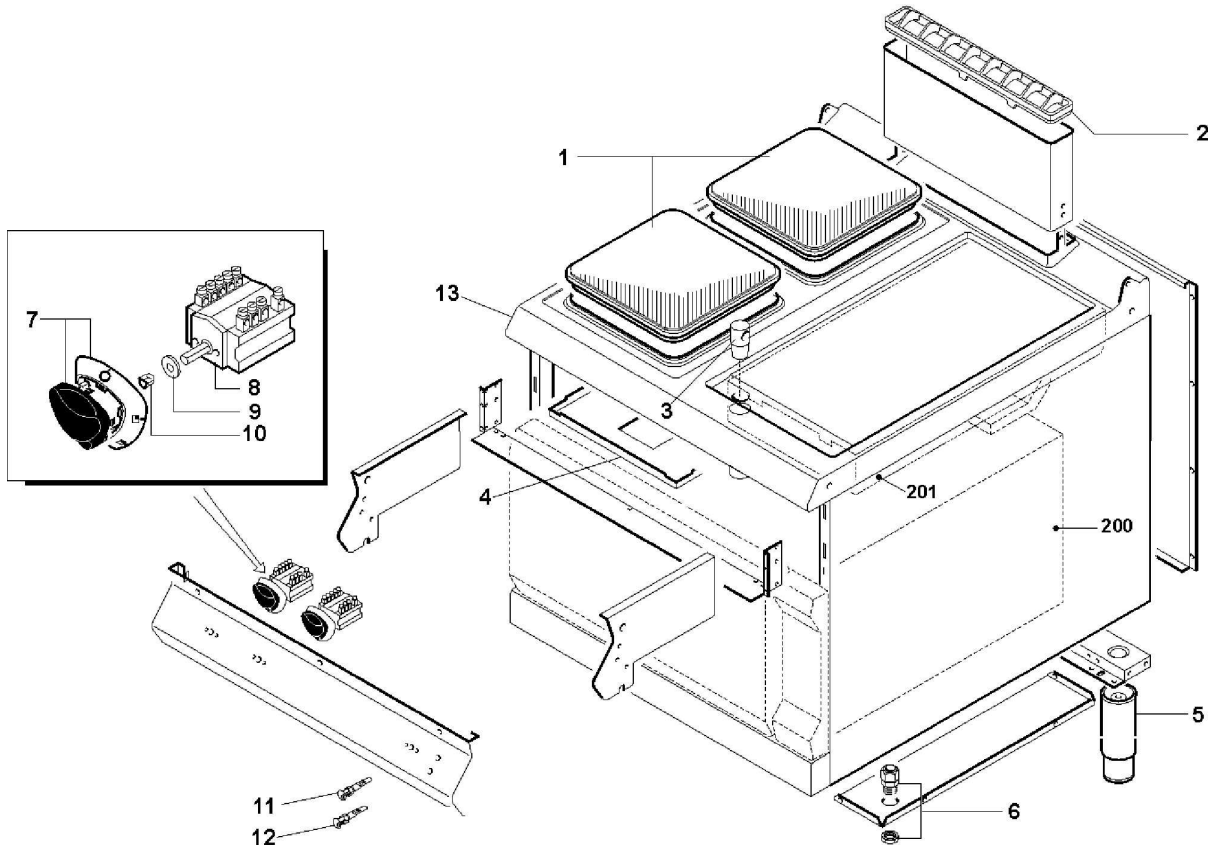
**1A1PEFTE**

**Edition 20150212-**

Зип Общепит

vsezip.ru

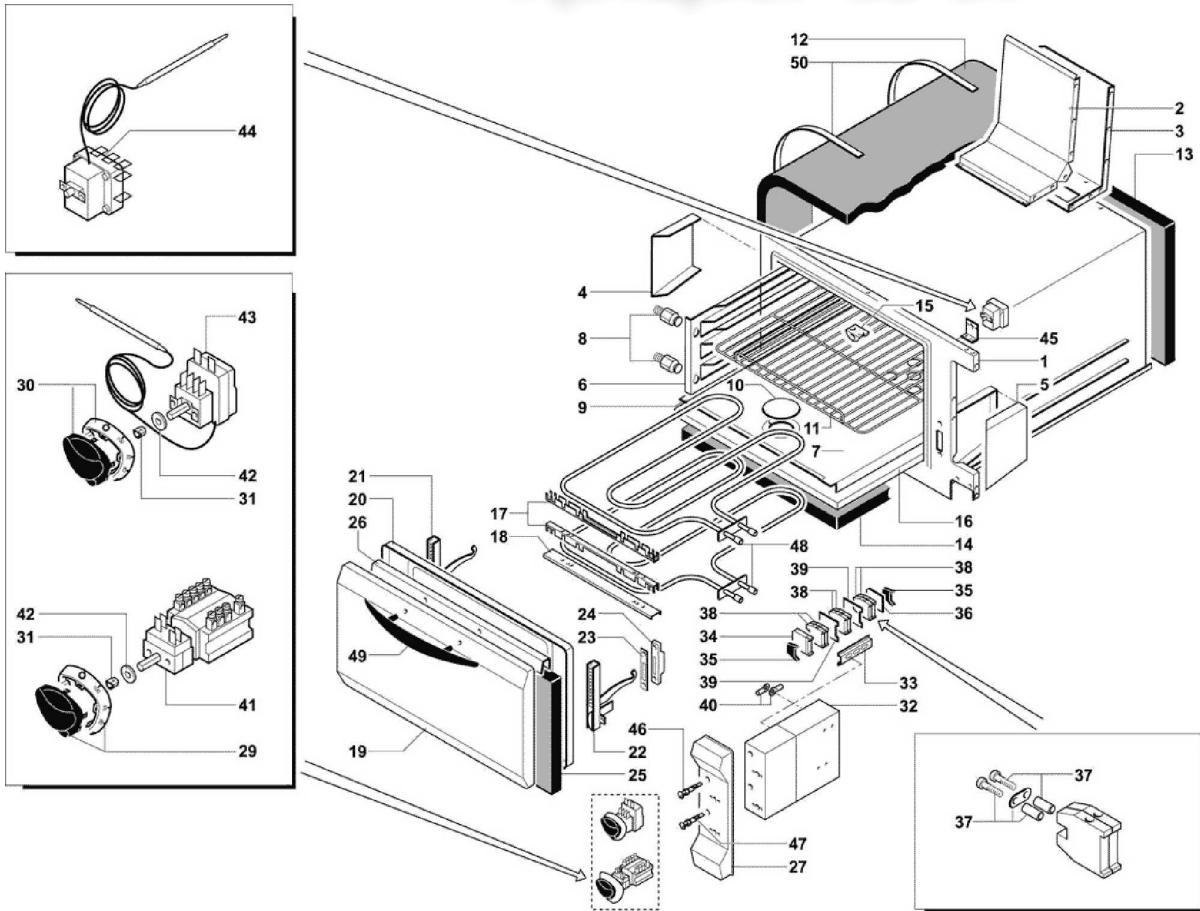
+7(812)987-08-81



Зип Общепит

vsezip.ru

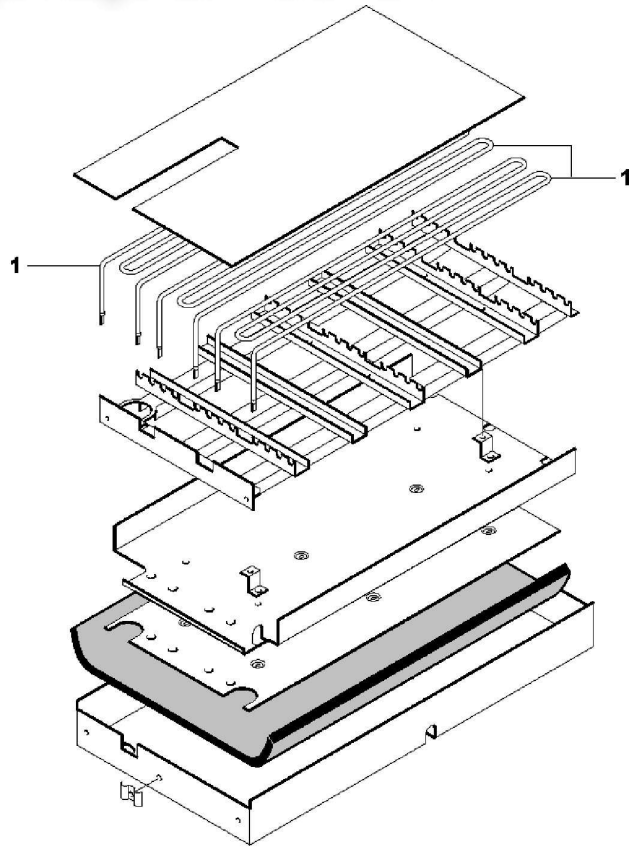
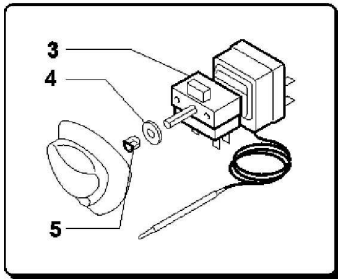
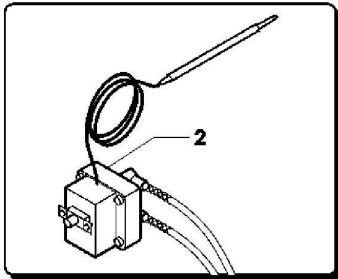
+7(812)987-08-81



Зип Общепит

vsezip.ru

+7(812)987-08-81



Page	Pos	Code	Description	№
002	001	32G0940	ELECTRIC PLATE	01/06/2000-
002	002	36C1310	FLUE GUARD	01/06/2000-
002	003	3115040	PLUG	31/01/2008-
002	004	6013001	EL. PLATE PROTECTION	01/06/2000-
002	005	36C2970	STAINLESS STEEL FOOT	01/06/2000-
002	006	32D0770	FAIRLEAD 8/10-17/20	01/06/2000-
002	007	6300485	EL. CONTROL ASS.Y	01/06/2000-
002	008	32W1050	SWITCH	01/06/2000-
002	009	3152240	THERMOSTAT PROTECT.	01/06/2000-
002	010	3170290	KNOB SPRING	01/06/2000-
002	011	6300652	GREEN LIGHT 400V ASS.Y	23/05/2007-
002	012	6300651	ORANGE LIGHT 400V ASS.Y	23/05/2007-
002	013	30M8010	SHELF + RIBBED PLATE	01/06/2000-
002	200	M002220	M. ELECTRIC OVEN	01/06/2000-
002	201	M008550	FRAME COMP. ASS.Y	01/06/2000-
003	001	30D5180	ELECTRIC OVEN ASS. Y	01/02/1999-
003	002	35E0330	FLUE FRONT PANEL	01/02/1999-
003	003	35E0320	FLUE REAR PANEL	01/02/1999-
003	004	35P0300	PROTECTION	01/02/1999-
003	005	35P0310	PROTECTION	01/02/1999-
003	006	35Y0481	LH TRAY RACK ASS. Y	06/06/2005-
003	007	35Y0471	RH TRAY RACK ASS. Y	06/06/2005-
003	008	36C3010	PIN	01/02/1999-
003	009	35D3100	OVEN BOTTOM PLATE	01/02/1999-
003	010	30D1260	OVEN PLATE HOLE COVER	01/02/1999-
003	011	36A0990	OVEN GRID	01/02/1999-
003	012	3271680	INSULATING PANEL	24/06/2014-
003	013	3271690	INSULATING PANEL	16/10/2014-
003	014	37Q1950	INSULATING PANEL	01/02/1999-
003	015	35U4210	""U"" BRACKET"	01/02/1999-
003	016	35Q5480	LOWER INS. PANEL	01/02/1999-
003	017	35U4362	COVER "U" BRACKET	01/02/1999-
003	018	35U5891	"U" BRACKET	01/02/1999-
003	019	35G5020	OVEN DOOR	01/02/1999-
003	020	35G1940	INNER DOOR FRAME	01/02/1999-
003	021	36M2430	ASS. Y LEFT HAND HINGE	01/02/1999-
003	022	36M2420	RIGHT-HAND HINGE	01/02/1999-
003	023	35U3170	FLAT BRACKET	01/02/1999-
003	024	36M0270	HINGE CATCH	01/02/1999-
003	025	37Q1880	INSULATING PANEL	01/02/1999-
003	026	35D9050	SPACER	01/02/1999-
003	027	35A3630	SIDE CONTROL	01/02/1999-
003	029	6300484	BOARD EL. CONTROL ASS.Y	01/02/1999-
003	030	6300483	EL. CONTROL ASS.Y	01/02/1999-
003	031	3170290	KNOB SPRING	01/02/1999-
003	032	35R5780	GUARD ASS.Y	01/02/1999-
003	033	35R9290	"\OMEGA\" BRACKET 120MM	18/07/2003-
003	034	32D0970	GROUND TERMINAL	01/02/1999-
003	035	32D0870	TERMINAL CLAMP	01/02/1999-
003	036	32D1320	TERMINAL END COVER	01/02/1999-
003	037	32D1490	CONNECTOR	01/02/1999-

Page	Pos	Code	Description	Info
003	038	32D1310	LIVE TERMINAL	01/02/1999-
003	039	32D1280	SCREEN COLOR	01/02/1999-
003	040	17RNL01	CABLE TERMINAL	01/02/1999-
003	041	32W1440	SWITCH	01/02/1999-
003	042	3152240	THERMOSTAT PROTECT.	01/02/1999-
003	043	32Z2560	THERMOSTAT 50-300° C	01/02/1999-
003	044	32Z9202	SAFETY THERMOSTAT	10/11/2004-
003	045	35S6361	L" SHAPED BAR	01/02/1999-
003	046	6300652	GREEN LIGHT 400V	23/05/2007-
003	047	6300651	ORANGE LIGHT 400V ASS.Y	23/05/2007-
003	048	32G0951	HEATING EL. 2700W- 400V	01/02/1999-
003	049	36M3390	HANDLE	01/02/1999-
003	050	35Y0940	FIXING BELT	01/02/1999-
004	001	3177350	HEATING EL. 2200W 230V	12/02/2015-
004	002	32Z9202	SAFETY THERMOSTAT	01/06/2000-
004	003	32Z7400	THERMOSTAT 100- 260° C	01/06/2000-
004	004	3152240	THERMOSTAT PROTECT.	01/06/2000-
004	005	3170290	KNOB SPRING	01/06/2000-