

Зип Общепит

vsezip.ru

+7(812)987-08-81



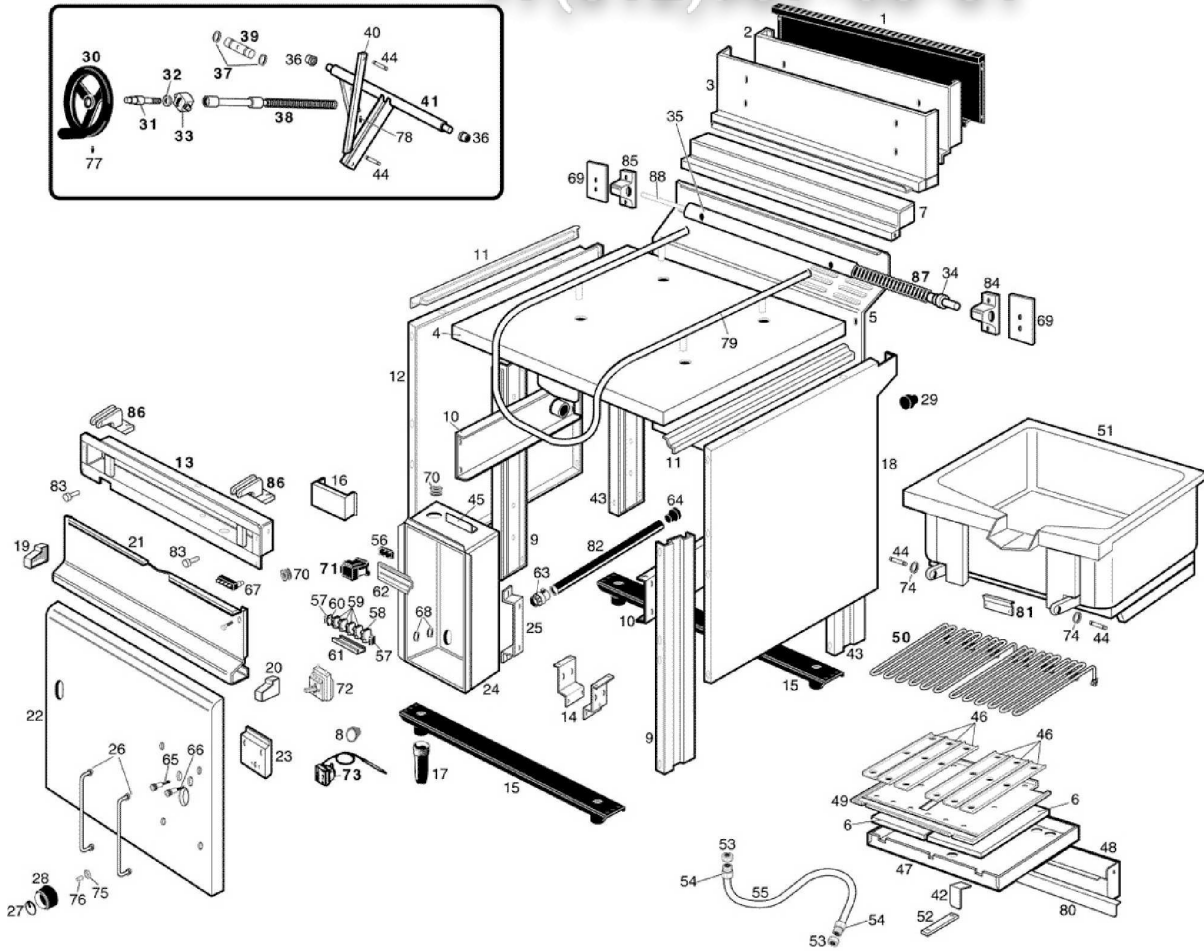
**31RE**

**Edition 20080101-**

Зип Общепит

vsezip.ru

+7(812)987-08-81



Pos	Code	Description	Info
001	35B9740	FLUE REAR	01/09/1996-
002	3AT0910	HINGE SUPPORT ASS. Y	01/09/1996-
003	30M2680	REAR HOB ASS. Y	01/09/1996-
004	35G7180	LID	01/09/1996-
005	35B4020	REAR PANEL	01/09/1996-
006	37Q2430	INSULATING PANEL	01/09/1996-
007	35V0620	STIFFENING	01/09/1996-
008	37Q3270	SWITCH COVER	01/09/1996-
009	35V0600	RISER	01/09/1996-
010	3AT0850	LIFTING SUPPORT ASS. Y	01/09/1996-
011	35V0630	"Z" BRACKET	01/09/1996-
012	35B9720	LH PANEL	01/09/1996-
013	3AD0291	FRONT PANEL ASS. Y	01/09/1996-
014	35V0710	"W" SUPPORT FOR LIFTING	01/09/1996-
015	30T2571	FOOT HOUSING ASS. Y	01/09/1996-
016	35V0731	MICROSWITCH GUARD	01/09/1996-
017	36D4000	ADJUSTABLE FOOT	01/09/1996-
018	35B9710	RH PANEL	01/09/1996-
019	36D3430	LH END SIDE	01/09/1996-
020	36D3420	RH END SIDE	01/09/1996-
021	35B9820	CONTROL BOARD	01/09/1996-
022	35B9831	FRONT PANEL	01/09/1996-
023	35V2580	PROTECT. CONTR. BOARD	01/09/1996-
024	35Q7280	PANEL BOARD	01/09/1996-
025	35V2610	"Z" BRACKET	01/09/1996-
026	3600890	CONTROL PROTECTION	01/09/1996-
027	36M2800	KNOB PLATE	01/09/1996-
028	36M2620	ELECTRIC CONTROL KNOB	01/09/1996-
029	36Q1410	CAP	01/09/1996-
030	36M4910	CRANK Ø 200	01/09/1996-
031	36G1290	BEARING SHAFT	01/09/1996-
032	36F0340	BEARING Ø35Ø17X12	01/09/1996-
033	36C0940	BEARING SUPPORT	01/09/1996-
034	36G2680	SPRING PIN	01/09/1996-
035	36G6680	LID HINGE	01/09/1996-
036	36D9390	BUSHING Ø 25	01/09/1996-
037	3120040	RING FOR SHAFT	01/09/1996-
038	36G1170	RH SCREW	01/09/1996-
039	36G1250	SCREW SUPPORT	01/09/1996-
040	36G6490	LIFTING ROD	01/09/1996-
041	36G1160	LIFTING SHAFT ASS. Y	01/09/1996-
042	35V2650	"L" BRACKET	01/09/1996-
043	35V0610	REAR UP RIGHT	01/09/1996-
044	36D9170	WELL PIN	01/09/1996-
045	35V0660	"L" BRACKET	01/09/1996-
046	35R3140	"U" BRACKET	14/01/1997-
047	35E0120	INSULAT. PAN. COVERING	14/01/1997-
048	35P0020	TERMINALS PROTECTION	14/01/1997-
049	35E0130	HEATING EL. HOLDER	14/01/1997-
050	32G1921	HEATING ELEMENT	01/09/1996-
051	30W2920	WELL ASS. Y	01/09/1996-

Pos	Code	Description	Info
052	36D3260	PROBE SUPPORT	01/09/1996-
053	36Q1100	LOCK NUT 3/4"	01/09/1996-
054	3201660	METALLIC HOSE NIPPLE	01/09/1996-
055	3201690	METALLIC HOSE	01/09/1996-
056	32D0030	TERMINAL BOARD	01/09/1996-
057	32D0060	TERMINAL CLAMPING BOARD	01/09/1996-
058	32D0480	GROUND TERMINAL	01/09/1996-
059	32D0470	LIVE TERMINAL	01/09/1996-
060	32D0490	TERMINAL END COVER	01/09/1996-
061	32D0500	"C" BRACKET	01/09/1996-
062	32D0540	"OMEGA" BRACKET	01/09/1996-
063	32D0810	JOINT 3/4"	01/09/1996-
064	32D0820	BUSHING	01/09/1996-
065	3106730	ORANGE LIGHT 230V	23/05/2007-
066	3106710	GREEN LIGHT 230V	23/05/2007-
067	32W0960	PROTECTED	01/09/1996-
068	32X0010	MICROSWITCH GROMMET $\varnothing 7 \varnothing 3$	01/09/1996-
069	35U3760	STIFFENING	01/09/1996-
070	32X0140	GROMMET $\varnothing 13,5 - \varnothing 25$	01/09/1996-
071	3100910	RELAY 220/230V- 50/60Hz	01/01/2008-
072	32V6510	THERMOSTAT 50-310° C 1F	25/05/2004-
073	32Z9202	SAFETY THERMOSTAT	10/11/2004-
074	3128890	BENZING RING $\varnothing 8$	01/09/1996-
075	3150790	THERMOSTAT PROTECT.	01/09/1996-
076	3170290	KNOB SPRING	01/09/1996-
077	31W0020	SCREW TEI M8X10	01/09/1996-
078	31W0030	SCREW TEI M6X10	01/09/1996-
079	36M5200	HANDLE	01/09/1996-
080	35R3010	"L" BRACKET	14/01/1997-
081	35R0430	PROBE PROFILE	01/09/1996-
082	35X1790	CABLE INLET PIPE	01/09/1996-
083	36D2590	FRONT PANEL PIN	01/09/1996-
084	36D2790	RH HINGE SUPPORT	01/09/1996-
085	36D2800	LH HINGE SUPPORT	01/09/1996-
086	36C2230	WELL HINGE	01/09/1996-
087	36G1300	SPRING	01/09/1996-
088	36G2650	HINGE SHAFT	01/09/1996-
089	32Q3290	EL. CABLES 31RE	01/09/1996-