

Зип Общепит

vsezip.ru

+7(812)987-08-81



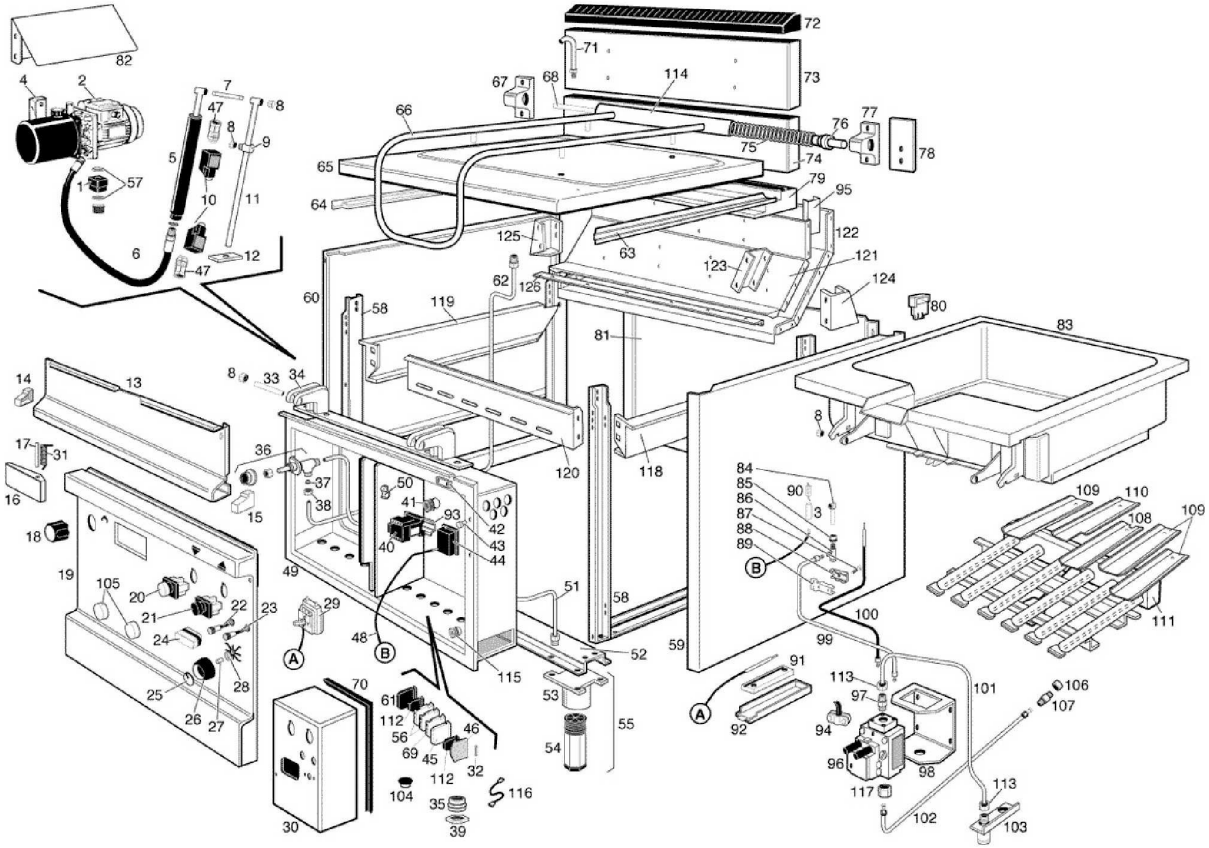
71RA

Edition 20111001-

Зип Ощепит

vsezip.ru

+7(812)987-08-81



Pos	Code	Description	Info
001	32Z5220	SOLENOID VALVE COIL 220V-50Hz	01/11/1995-
001	32Z5230	SOLENOID VALVE COIL 220V. 60HZ	01/11/1995-
002	36G2091	ELECTR. PUMP	01/11/1995-
002	36G3741	220/240V-50Hz ELECTR. PUMP 60HZ	01/11/1995-
003	131AA46	HOSE 8'X40	01/11/1995-
004	35R1970	SUPPORT	30/09/1996-
005	36G2082	HYDRAULIC RAM	01/11/1995-
006	36G2100	FLEXIBLE PIPE	01/11/1995-
007	36D2101	PIN	01/11/1995-
008	3128420	BENZING RING Ø 9	01/11/1995-
009	36D2110	ROD GUIDE	01/11/1995-
010	32W3251	PROTECTED MICROSWITCH	01/11/1995-
011	36D2140	MICROSWITCH ROD	01/11/1995-
012	36D2170	MICROSWITCH SUPPORT	01/11/1995-
013	35A9570	UPPER CONTROL	01/11/1995-
014	36D3430	BOARD LH END SIDE	01/11/1995-
015	36D3420	RH END SIDE	01/11/1995-
016	35G4260	SLOT COVER	01/11/1995-
017	36G5150	PIN	01/11/1995-
018	36M2632	BLUE RING KNOB	01/01/2011-
019	35B8291	FRONT PANEL	01/11/1995-
020	6300836	PUSH BUTTON	01/10/2011-
021	6300836	PUSH BUTTON	01/10/2011-
022	3106730	ORANGE LIGHT 230V	23/05/2007-
023	3106710	GREEN LIGHT 230V	23/05/2007-
024	37Q1200	GAS VALVE PROTECTION	01/11/1995-
025	36M2800	KNOB PLATE	01/11/1995-
026	36M2620	ELECTRIC CONTROL	01/11/1995-
027	3170290	KNOB KNOB SPRING	01/11/1995-
028	3150790	THERMOSTAT PROTECT.	01/11/1995-
029	32V6510	THERMOSTAT 50-310° 1F	25/05/2004-
030	35Q8030	GUARD ASS.Y	01/11/1995-
031	36G5180	SPRING	01/11/1995-
032	3201540	FUSE 5X20	01/11/1995-
033	36G2831	PIN	01/11/1995-
034	36M2760	WELL HINGE ASS.Y	01/11/1995-
035	32D0191	FAIRLEAD	01/11/1995-
036	33D0590	"COCK 3/8""	01/11/1995-
037	36Q0080	BICONE Ø 10X6.5	01/11/1995-
038	36Q0140	BICONE NUT Ø 10	01/11/1995-
039	32D0200	LOCK NUT PG16	01/11/1995-
040	32Z4470	RELAY 230V. 50HZ	01/11/1995-
040	32Z4480	RELAY 220V. 60HZ	01/11/1995-
041	32X0120	GROMMETØ 21	01/11/1995-
042	35U5510	CAPILLARY BULB SUPPORT	01/11/1995-
043	32X0190	CABLE SUPPORT	01/11/1995-
044	32T0210	SPARK IGNITION DEVICE	20/03/2001-
045	32D1730	FUSE TERMINAL BOARD	24/01/2002-
046	32D1740	TERMINAL	24/01/2002-
047	32D0830	FAIRLEAD Ø 8	01/11/1995-
048	32A0061	CABLE "HF" 1100MM	01/11/1995-

Pos	Code	Description	Date
049	30A3631	FRONT FRAME ASSEMBLY	30/09/1996-
050	3140290	PIPE CLAMP Ø10	01/11/1995-
051	30Z1483	PIPE	01/11/1995-
052	35U3300	""OMEGA"" BRACKET	01/11/1995-
053	36D9360	FOOT HOUSING ASS. Y	01/11/1995-
054	36D9350	STAINLESS STEEL FOOT	01/11/1995-
055	36D9340	STAINLESS STEEL FOOT ASS.Y	01/11/1995-
056	32D0840	LIVE TERMINAL	01/11/1995-
057	3151030	"O" RING	01/11/1995-
058	30T1730	SIDE FRAME ASS. Y	01/11/1995-
059	35A8110	RH PANEL	01/11/1995-
060	35A8120	LH PANEL	01/11/1995-
061	32D0850	TERMINAL	01/11/1995-
062	30Z1472	WATER PIPE ASS. Y	01/11/1995-
063	35U5260	"Z" BRACKET	01/11/1995-
064	35U5270	"Z" BRACKET	01/11/1995-
065	30G1051	WELL LID	01/11/1995-
066	36M5190	HANDLE	01/11/1995-
067	36D2800	LH HINGE SUPPORT	01/11/1995-
068	36G2650	HINGE SHAFT	01/11/1995-
069	32D0860	GROUND TERMINAL	01/11/1995-
070	37Q2982	GASKET	25/03/1999-
071	33Q2800	WATER SPOUT	01/11/1995-
072	35A9090	FLUE GUARD	01/11/1995-
073	30D1231	EXT FLUE ASS. Y	01/11/1995-
074	30T1821	STIFFENING	01/11/1995-
075	36G2640	SPRING	01/11/1995-
076	36G2680	SPRING PIN	01/11/1995-
077	36D2790	RH HINGE SUPPORT	01/11/1995-
078	35U3760	STIFFENING	01/11/1995-
079	35Q5631	REAR COVER	01/11/1995-
080	35U5120	SUPPORT	01/11/1995-
081	35B0451	REAR PANEL	01/11/1995-
082	35Q9060	EL. PUMP PROTECTION	01/11/1995-
083	30W0780	WELL ASS. Y	01/11/1995-
084	33A1081	THREE-FLAME BURNER	24/04/2008-
085	33A0970	RING NUT	01/11/1995-
086	33A2900	PILOT BURNER BODY	01/11/1995-
087	33A0980	SCREW 3/16W. X18TE	01/11/1995-
088	33A0950	REAR BRACKET	01/11/1995-
089	33A1000	FRONT BRACKET	01/11/1995-
090	32T0010	IGNITION PLUG	27/01/2010-
091	36D3260	PROBE SUPPORT	01/11/1995-
092	35Q9110	BULB GUARD	01/11/1995-
093	32D0940	"OMEGA" BRACKET	01/11/1995-
094	33A0020	COMPL. VALVE	01/11/1995-
095	35V9950	"U" BRACKET	01/11/1995-
096	33A0590	"GAS VALVE 1/2""	01/11/1995-
097	33Q0160	NIPPLE M22X1.5	01/11/1995-
098	35U5110	"U" BRACKET	01/11/1995-
099	35X3490	PILOT LIGHT PIPE	01/11/1995-

Pos	Code	Description	Info
100	33A1190	THERMOCOUPLE	05/06/2001-
101	35Z5801	M9X1X750 GAS VALVE PIPE	01/11/1995-
102	35X3480	BURNER PIPE	01/11/1995-
103	30Z1461	NIPPLE ASS. Y	01/11/1995-
104	36Q0380	PLUG Ø38	01/11/1995-
105	37Q7600	HEAT. ELEM. PROTECTION	01/11/1995-
106	36Q1110	LOCK NUT 3/8"	01/11/1995-
107	3035340	NOZZLE HOUSING	24/07/2006-
108	35D8550	BAFFLE	01/11/1995-
109	35D8560	BAFFLE	01/11/1995-
110	35D8570	BAFFLE	01/11/1995-
111	34A0730	BURNER 20KW	01/11/1995-
112	32D0870	TERMINAL CLAMP	01/11/1995-
113	36Q0210	BICONE NUT Ø 14	01/11/1995-
114	36G6680	LID HINGE	01/11/1995-
115	32X0140	GROMMET Ø13,5-Ø25	01/11/1995-
116	32A1640	CABLE "HF" 150MM	01/11/1995-
117	33Q2571	"REDUCTION MF 3/8""-1/2"""	22/07/2004-
118	35D8500	R.H. EXHAUST FLUE CHAMBER	01/11/1995-
119	35D8510	L.H. EXHAUST FLUE CHAMBER	01/11/1995-
120	35D8520	FRONT EXHAUST FLUE CHAMBER	01/11/1995-
121	35D8530	FRONT FLUE	01/11/1995-
122	35D8540	REAR FLUE	01/11/1995-
123	35R0020	"U" BRACKET	01/11/1995-
124	35V9800	RH FLUE SUPPORT	01/11/1995-
125	35V9810	LH FLUE SUPPORT	01/11/1995-
126	35V9820	"L" BRACKET	01/11/1995-
127	32Q3870	EL. CABLES 91RA	01/11/1995-
128	36D1130	SHOCK ABSORBER	30/09/1996-
129	35R2010	SUPPORT	30/09/1996-