

Зип Общепит

vsezip.ru

+7(812)987-08-81



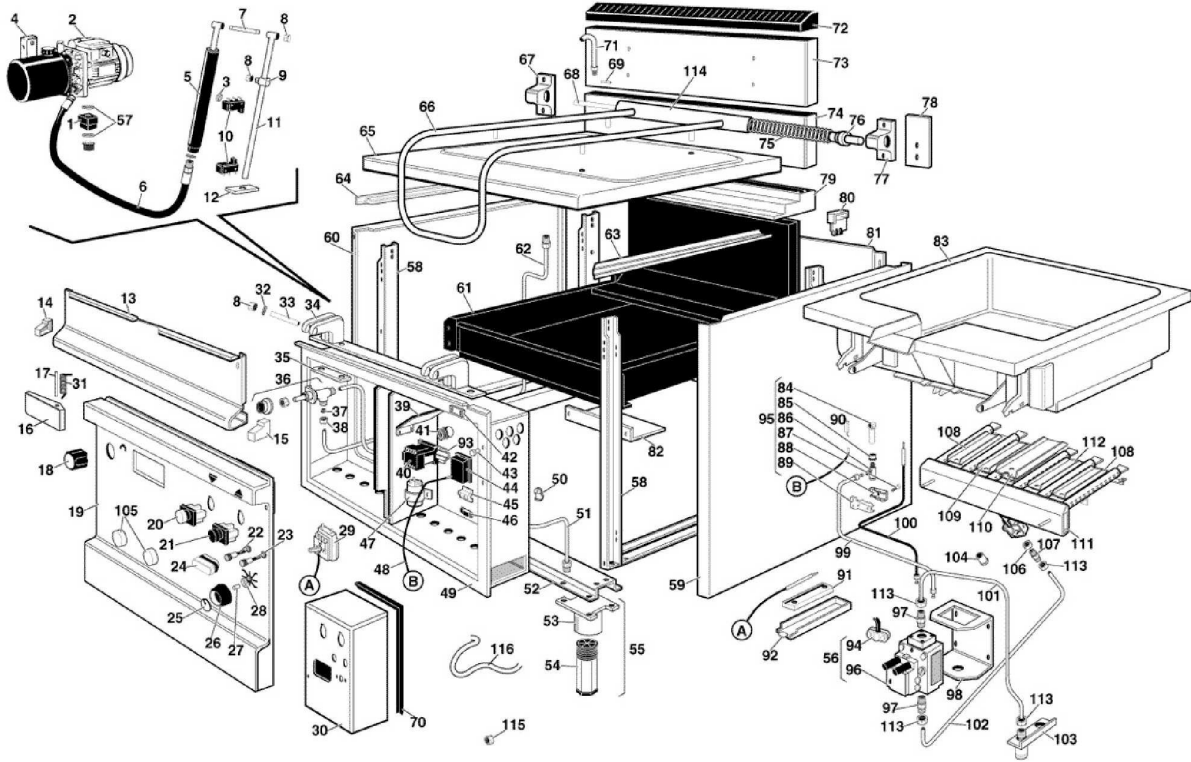
**71AR**

**Edition 20111001-**

Зип Ощепит

vsezip.ru

+7(812)987-08-81



| Pos | Code    | Description                     | Info        |
|-----|---------|---------------------------------|-------------|
| 001 | 32Z5220 | SOLENOID VALVE COIL 220V-50Hz   | 01/09/1993- |
| 001 | 32Z5230 | SOLENOID VALVE COIL 220V. 60HZ  | 01/09/1993- |
| 002 | 36G2091 | ELECTR. PUMP                    | 01/09/1993- |
| 002 | 36G3741 | 220/240V-50Hz ELECTR. PUMP 60HZ | 01/09/1993- |
| 003 | 3200230 | REDUCED BUSHING                 | 01/09/1993- |
| 004 | 35R1970 | SUPPORT                         | 30/09/1996- |
| 005 | 36G2081 | HYDRAULIC RAM                   | 01/09/1993- |
| 006 | 36G2100 | FLEXIBLE PIPE                   | 01/09/1993- |
| 007 | 36D2100 | PIN                             | 01/09/1993- |
| 008 | 3128420 | BENZING RING Ø 9                | 01/09/1993- |
| 009 | 36D2110 | ROD GUIDE                       | 01/09/1993- |
| 010 | 32W0960 | PROTECTED MICROSWITCH           | 01/09/1993- |
| 011 | 36D2140 | MICROSWITCH ROD                 | 01/09/1993- |
| 012 | 36D2170 | MICROSWITCH SUPPORT             | 01/09/1993- |
| 013 | 35A9570 | UPPER CONTROL                   | 01/09/1993- |
| 014 | 36D3430 | BOARD LH END SIDE               | 01/09/1993- |
| 015 | 36D3420 | RH END SIDE                     | 01/09/1993- |
| 016 | 35G4260 | SLOT COVER                      | 01/09/1993- |
| 017 | 36G5150 | PIN                             | 01/09/1993- |
| 018 | 36M2632 | BLUE RING KNOB                  | 01/01/2011- |
| 019 | 35B8291 | FRONT PANEL                     | 01/09/1993- |
| 020 | 6300836 | PUSH BUTTON                     | 01/10/2011- |
| 021 | 6300836 | PUSH BUTTON                     | 01/10/2011- |
| 022 | 3106730 | ORANGE LIGHT 230V               | 23/05/2007- |
| 023 | 3106710 | GREEN LIGHT 230V                | 23/05/2007- |
| 024 | 37Q1200 | GAS VALVE PROTECTION            | 01/09/1993- |
| 025 | 36M2800 | KNOB PLATE                      | 01/09/1993- |
| 026 | 36M2620 | ELECTRIC CONTROL                | 01/09/1993- |
| 027 | 3170290 | KNOB KNOB SPRING                | 01/09/1993- |
| 028 | 3150790 | THERMOSTAT PROTECT.             | 01/09/1993- |
| 029 | 32V6510 | THERMOSTAT 50-310° C 1F         | 25/05/2004- |
| 030 | 35Q8030 | GUARD ASS.Y                     | 01/09/1993- |
| 031 | 36G5180 | SPRING                          | 01/09/1993- |
| 032 | 3120820 | WASHER Ø 21 Ø 10.5=2            | 01/09/1993- |
| 033 | 36G2830 | PIN                             | 01/09/1993- |
| 034 | 36M2760 | WELL HINGE ASS.Y                | 01/09/1993- |
| 035 | 35U5130 | STIFFENING                      | 01/09/1993- |
| 036 | 33D0590 | "COCK 3/8""                     | 01/09/1993- |
| 037 | 36Q0080 | BICONE Ø 10X6.5                 | 01/09/1993- |
| 038 | 36Q0140 | BICONE NUT Ø 10                 | 01/09/1993- |
| 039 | 35Q6230 | EL. PUMP PROTECTION             | 01/09/1993- |
| 040 | 32Z2080 | RELAY                           | 01/09/1993- |
| 040 | 32Z2531 | RELAY 240V-50/60HZ              | 31/12/1997- |
| 041 | 32X0120 | GROMMETØ 21                     | 01/09/1993- |
| 042 | 35U5510 | CAPILLARY BULB SUPPORT          | 01/09/1993- |
| 043 | 32X0190 | CABLE SUPPORT                   | 01/09/1993- |
| 044 | 32T0210 | SPARK IGNITION DEVICE           | 20/03/2001- |
| 045 | 32D0390 | TERMINAL BOARD                  | 01/09/1993- |
| 046 | 32D0020 | CABLE CLAMP Ø 4 - 12            | 01/09/1993- |
| 047 | 32Z2490 | CAPACITOR 8MF 350V.             | 01/09/1993- |
| 048 | 32A0061 | CABLE "HF" 1100MM               | 01/09/1993- |

| Pos | Code    | Description                | Date        |
|-----|---------|----------------------------|-------------|
| 049 | 30A2022 | FRONT FRAME ASS. Y         | 01/09/1993- |
| 050 | 3140290 | PIPE CLAMP Ø10             | 01/09/1993- |
| 051 | 30Z1482 | PIPE                       | 01/09/1993- |
| 052 | 35U3300 | ""OMEGA"" BRACKET"         | 01/09/1993- |
| 053 | 36D9360 | FOOT HOUSING ASS. Y        | 01/09/1993- |
| 054 | 36D9350 | STAINLESS STEEL FOOT       | 01/09/1993- |
| 055 | 36D9340 | STAINLESS STEEL FOOT ASS.Y | 01/09/1993- |
| 056 | 6000640 | "GAS VALVE 1/2"" COMP."    | 01/09/1993- |
| 057 | 3151030 | "O" RING                   | 01/09/1993- |
| 058 | 30T1730 | SIDE FRAME ASS. Y          | 01/09/1993- |
| 059 | 35A8110 | RH PANEL                   | 01/09/1993- |
| 060 | 35A8120 | LH PANEL                   | 01/09/1993- |
| 061 | 30D2120 | EXHAUST FLUE CHAMBER ASS.Y | 01/09/1993- |
| 062 | 30Z1471 | WATER PIPE ASS. Y          | 01/09/1993- |
| 063 | 35U5260 | "Z" BRACKET                | 01/09/1993- |
| 064 | 35U5270 | "Z" BRACKET                | 01/09/1993- |
| 065 | 30G1051 | WELL LID                   | 01/09/1993- |
| 066 | 36M5190 | HANDLE                     | 01/09/1993- |
| 067 | 36D2800 | LH HINGE SUPPORT           | 01/09/1993- |
| 068 | 36G2650 | HINGE SHAFT                | 01/09/1993- |
| 069 | 31Z8910 | LOCKPIN Ø 4X10             | 01/09/1993- |
| 070 | 37Q2982 | GASKET                     | 25/03/1999- |
| 071 | 33Q2800 | WATER SPOUT                | 01/09/1993- |
| 072 | 35A9090 | FLUE GUARD                 | 01/09/1993- |
| 073 | 30D1230 | EXT FLUE ASS. Y            | 01/09/1993- |
| 074 | 30T1820 | STIFFENING                 | 01/09/1993- |
| 075 | 36G2640 | SPRING                     | 01/09/1993- |
| 076 | 36G2680 | SPRING PIN                 | 01/09/1993- |
| 077 | 36D2790 | RH HINGE SUPPORT           | 01/09/1993- |
| 078 | 35U3760 | STIFFENING                 | 01/09/1993- |
| 079 | 35Q5630 | REAR COVER                 | 01/09/1993- |
| 080 | 35U5120 | SUPPORT                    | 01/09/1993- |
| 081 | 35A8130 | REAR PANEL                 | 01/09/1993- |
| 082 | 35Q6230 | EL. PUMP PROTECTION        | 01/09/1993- |
| 083 | 30W2240 | WELL ASS. Y                | 01/09/1993- |
| 084 | 33A1081 | THREE-FLAME BURNER         | 24/04/2008- |
| 085 | 33A0970 | RING NUT                   | 01/09/1993- |
| 086 | 33A0960 | PILOT BURNER BODY Ø0,25    | 01/09/1993- |
| 087 | 33A0980 | SCREW 3/16W. X18TE         | 01/09/1993- |
| 088 | 33A0950 | REAR BRACKET               | 01/09/1993- |
| 089 | 33A1000 | FRONT BRACKET              | 01/09/1993- |
| 090 | 32T0140 | IGNITION PLUG              | 01/09/1993- |
| 091 | 36D3260 | PROBE SUPPORT              | 01/09/1993- |
| 092 | 35Q5620 | BULB GUARD                 | 01/09/1993- |
| 093 | 32D0940 | "OMEGA" BRACKET            | 01/09/1993- |
| 094 | 32W1580 | MICROSWITCH                | 01/09/1993- |
| 095 | 6000350 | PILOT BURNER ASS.Y         | 01/09/1993- |
| 096 | 33A0590 | "GAS VALVE 1/2""           | 01/09/1993- |
| 097 | 33Q0160 | NIPPLE M22X1.5             | 01/09/1993- |
| 098 | 35U5110 | "U" BRACKET                | 01/09/1993- |
| 099 | 35Z5820 | PILOT LIGHT PIPE           | 01/09/1993- |

| Pos | Code    | Description            | Date        |
|-----|---------|------------------------|-------------|
| 100 | 33A1190 | THERMOCOUPLE M9X1X750  | 05/06/2001- |
| 101 | 35Z5801 | GAS VALVE PIPE         | 01/09/1993- |
| 102 | 35Z5810 | BURNER PIPE            | 01/09/1993- |
| 103 | 30Z1461 | NIPPLE ASS. Y          | 01/09/1993- |
| 104 | 36D2850 | BUSHING Ø 15           | 01/09/1993- |
| 105 | 37Q7600 | HEAT. ELEM. PROTECTION | 01/09/1993- |
| 106 | 36Q1110 | LOCK NUT 3/8"          | 01/09/1993- |
| 107 | 33Q0180 | NOZZLE HOUSING         | 01/09/1993- |
| 108 | 35D3870 | BAFFLE                 | 01/09/1993- |
| 109 | 35D3890 | BAFFLE                 | 01/09/1993- |
| 110 | 35D3880 | BAFFLE                 | 01/09/1993- |
| 111 | 34A1480 | BURNER                 | 01/09/1993- |
| 112 | 35D3900 | BAFFLE                 | 01/09/1993- |
| 113 | 36Q0210 | BICONE NUT Ø 14        | 01/09/1993- |
| 114 | 36G6680 | LID HINGE              | 01/09/1993- |
| 115 | 3113170 | NUT                    | 01/09/1993- |
| 116 | 32A1640 | CABLE "HF" 150MM       | 01/09/1993- |
| 117 | 32Q3650 | EL. CABLES 91AR        | 01/09/1993- |
| 118 | 36D1130 | SHOCK ABSORBER         | 30/09/1996- |
| 119 | 35R2010 | SUPPORT                | 30/09/1996- |