

Зип Общепит

vsezip.ru

+7(812)987-08-81



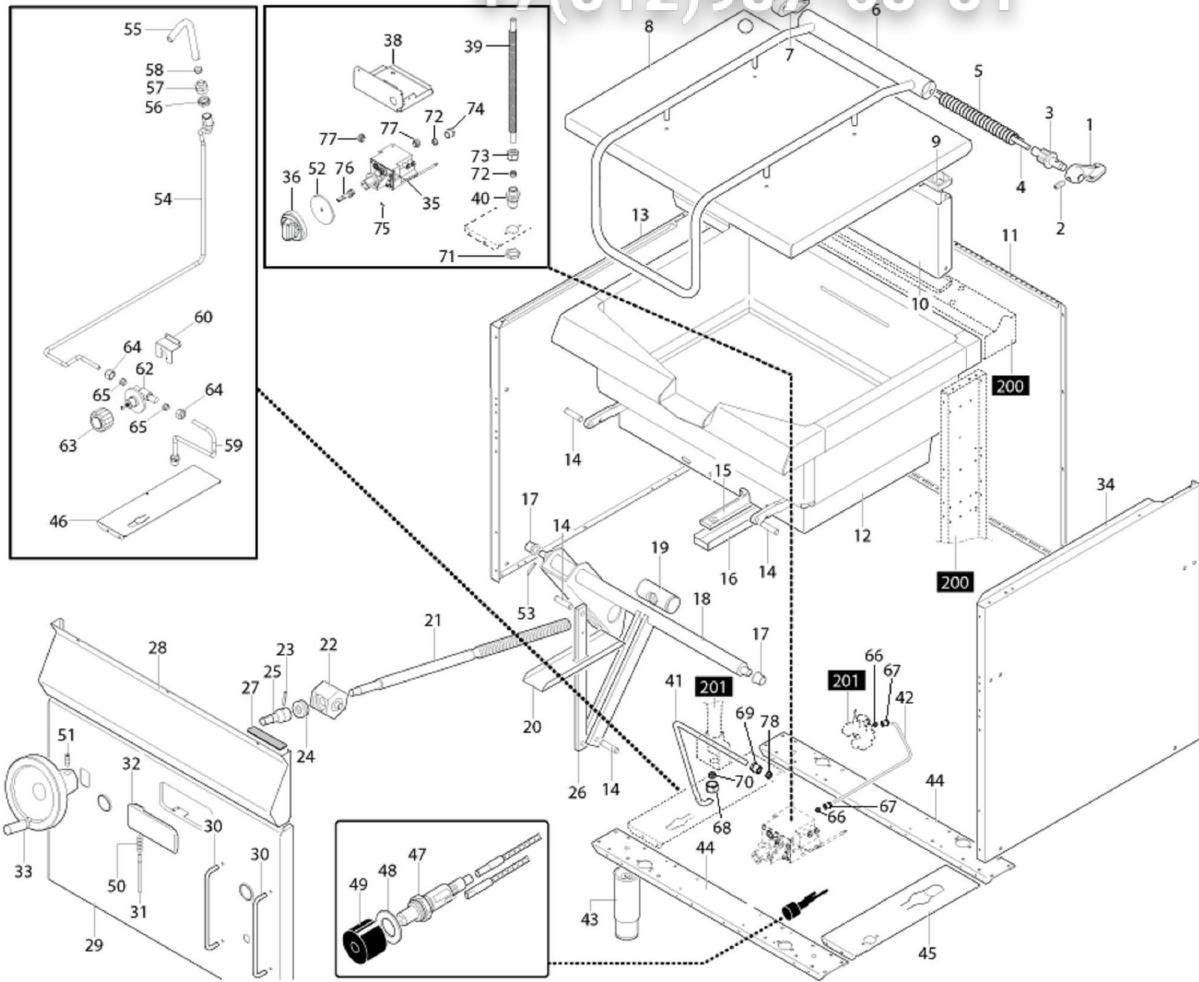
1G1BR1G

Edition 20100715-

Зип Общепит

vsezip.ru

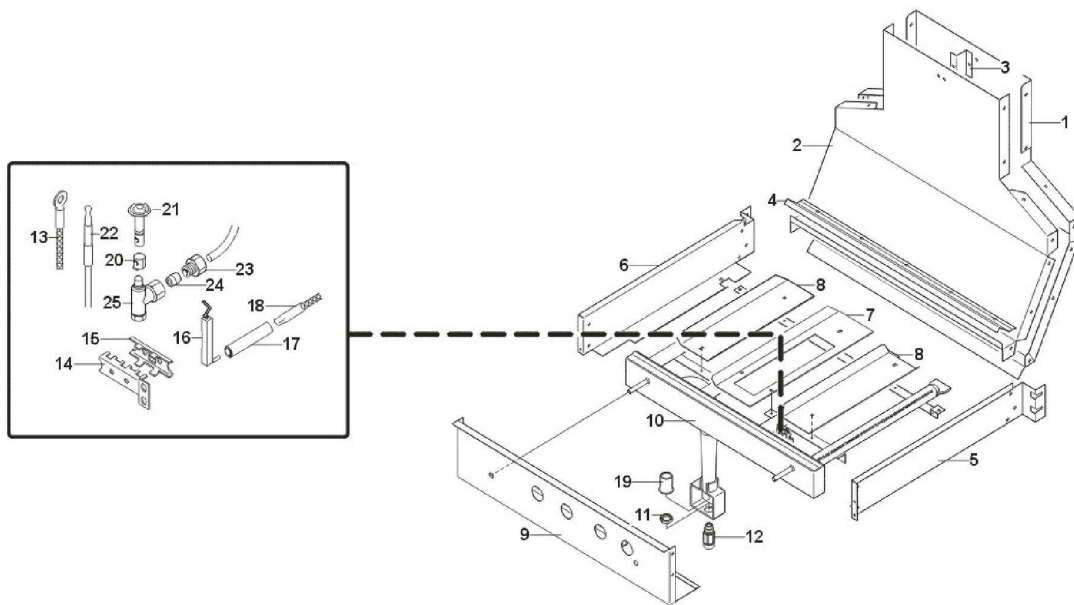
+7(812)987-08-81



Зип Общепит

vsezip.ru

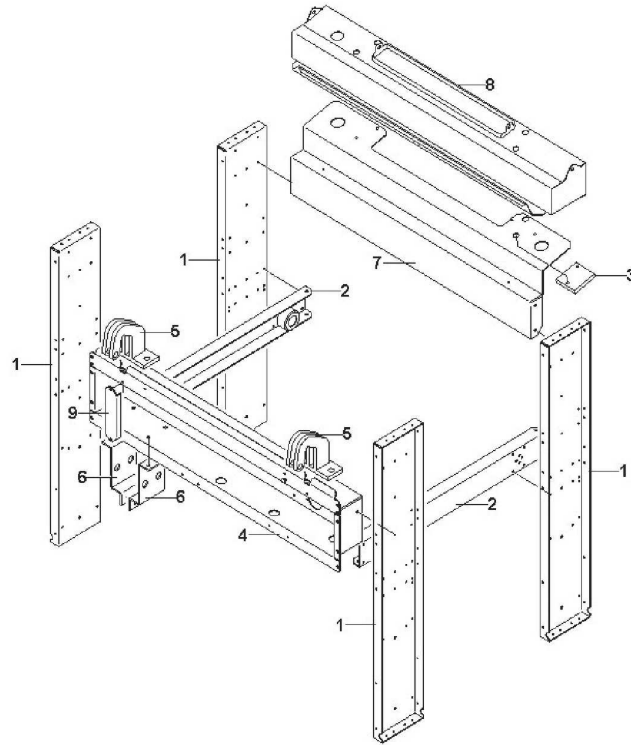
+7(812)987-08-81



Зип Общепит

vsezip.ru

+7(812)987-08-81



Page	Pos	Code	Description	Info
002	001	36C2590	RH HINGE SUPPORT	01/06/2002-
002	002	31W0280	SCREW	01/06/2002-
002	003	36G2680	SPRING PIN	01/06/2002-
002	004	36G2650	HINGE SHAFT	01/06/2002-
002	005	36G1300	SPRING	01/06/2002-
002	006	3011770	COVER HINGE	21/10/2003-
002	007	36C2600	LH HINGE SUPPORT	01/06/2002-
002	008	3011780	WELL LID	21/10/2003-
002	009	36C4800	FLUE GUARD	01/06/2002-
002	010	30Q1770	EXT FLUE ASS. Y	01/06/2002-
002	011	35E1900	REAR PANEL 700	01/06/2002-
002	012	30W4200	WELL ASS. Y	01/06/2002-
002	013	35H4130	LH PANEL	01/06/2002-
002	014	36D9170	WELL PIN	01/06/2002-
002	015	36D3260	PROBE SUPPORT	01/06/2002-
002	016	35V0720	THERM. PROBE	01/06/2002-
002	017	36D9390	PROTECT. BUSHING Ø 25	01/06/2002-
002	018	36G1160	LIFTING SHAFT ASS. Y	01/06/2002-
002	019	36G1250	SCREW SUPPORT	01/06/2002-
002	020	35E8960	U PROFILE	01/06/2002-
002	021	36H1220	RH SCREW	01/06/2002-
002	022	36C0940	BEARING SUPPORT	01/06/2002-
002	023	31Z8110	LOCK PIN Ø 5X30	01/06/2002-
002	024	36F0340	BEARING Ø35Ø17X12	01/06/2002-
002	025	36G1290	BEARING SHAFT	01/06/2002-
002	026	36G6490	LIFTING ROD	01/06/2002-
002	027	137AA04	GASKET	01/06/2002-
002	028	30A5700	UPPER CONTROL BOARD	01/06/2002-
002	029	3168160	FRONT PANEL MAN.	01/06/2010-
002	030	3600890	CONTROL PROTECTION	01/06/2002-
002	031	36G5150	PIN	01/06/2002-
002	032	35G4260	SLOT COVER	01/06/2002-
002	033	36M4910	CRANK Ø 200	01/06/2002-
002	034	35H4140	RH PANEL	01/06/2002-
002	035	3041720	GAS THERMOST. 110- 340° C	01/06/2010-
002	036	3010331	GAS CONTROL KNOB	15/07/2010-
002	038	3168170	VALVE SUPPORT	01/06/2010-
002	039	3066040	FLEXIBLE PIPE DN12 L=400	01/06/2010-
002	040	33Q3472	GAS ENTRY CONNECTOR	01/06/2010-
002	041	3029630	FLEXIBLE PIPE DN10 L=800	12/11/2008-
002	042	3079320	FLEXIBLE PIPE L=750	05/10/2006-
002	043	36C5360	4 FEETS ASS.Y	01/06/2002-
002	044	35U8052	SECTION 692X75X18	25/10/2005-
002	045	35Y3581	SECTION	01/09/2009-
002	046	35Y3591	SECTION	11/06/2004-
002	047	3166990	PIEZO IGNITION	13/07/2010-
002	048	3191100	WASHER Ø31 Ø18,3=2	01/06/2002-
002	049	37Q2100	HEAT. ELEM. PROTECTION	01/06/2002-
002	050	36G5180	SPRING	01/06/2002-
002	051	31W0280	SCREW	21/07/2005-
002	052	3152250	GAS VALVE GUARD Ø 50	01/06/2010-

Page	Pos	Code	Description	Info
002	053	31Z8170	LOCKPIN	01/06/2002-
002	054	3004200	WATER PIPE ASS. Y	18/04/2003-
002	055	33Q3780	WATER SPOUT	18/04/2003-
002	056	33Q3990	RING NUT	18/04/2003-
002	057	33Q4000	NUT	18/04/2003-
002	058	36Q0460	BICONE Ø 18X9	18/04/2003-
002	059	3004190	WATER PIPE ASS. Y	18/04/2003-
002	060	3004211	COCK SUPPORT	28/01/2009-
002	062	3162191	COCK 3/8"	18/12/2009-
002	063	3162200	RED RING KNOB	28/01/2009-
002	064	36Q0140	BICONE NUT Ø 10	18/04/2003-
002	065	36Q0080	BICONE Ø 10X6.5	01/06/2010-
002	066	36Q1040	BICONE Ø4	05/10/2006-
002	067	36Q1000	CLOSING BICONE NUT Ø4	05/10/2006-
002	068	36Q0610	BICONE SCREW Ø10	12/11/2008-
002	069	3032790	"BICONE SCREW Ø3/8"" G"	12/11/2008-
002	070	36Q0080	BICONE Ø 10X6.5	01/06/2010-
002	071	36Q1100	LOCK NUT 3/4"	01/06/2010-
002	072	36Q0030	BICONE Ø12X8	01/06/2010-
002	073	36Q0050	BICONE NUT Ø 12	01/06/2010-
002	074	36Q0710	BICONE SCREW Ø 12	01/06/2010-
002	075	3034460	SCREW M4X8	01/06/2010-
002	076	3051661	PIN VALVE	09/07/2010-
002	077	36R0010	PLUG 3/8"	01/06/2010-
002	078	3034890	BICONE Ø10 Ø12X8	01/06/2010-
002	200	M015270	M.FRAME TILTING BRATT-PAN	01/06/2002-
002	201	M015260	M.CONB.CHAMBER COMPL."BR"	01/06/2002-
003	001	35E7460	FLUE REAR PLATE	01/06/2002-
003	002	35E7450	FLUE FRONT PANEL	01/06/2002-
003	003	35T7200	"Z" BRACKET	01/06/2002-
003	004	35Y4890	PROFILE	01/06/2002-
003	005	35E7160	RH COMBUST. CHAMBER	01/06/2002-
003	006	35E7170	LH COMBUST. CHAMBER	01/06/2002-
003	007	35E8970	FLAME DEFLECTOR	01/06/2002-
003	008	35D6590	BAFFLE 290X101X15	01/06/2002-
003	009	35E7440	FRONT COMBUST.	01/06/2002-
003	010	34A1793	CHAMBER BURNER 12KW	01/06/2002-
003	011	36Q1110	LOCK NUT 3/8"	01/06/2002-
003	012	3035340	NOZZLE HOUSING	24/07/2006-
003	013	32A2401	CABLE 1100MM	01/06/2002-
003	014	33A1000	FRONT BRACKET	01/06/2002-
003	015	33A0950	REAR BRACKET	01/06/2002-
003	016	32T0010	IGNITION PLUG	27/01/2010-
003	017	131AA46	HOSE 8'X40	01/06/2002-
003	018	32A2361	CABLE "HF" 1200MM	28/07/2003-
003	019	36C2040	BUSHING Ø16	01/06/2002-
003	020	33A0970	RING NUT	01/06/2002-
003	021	33A1081	THREE-FLAME BURNER	24/04/2008-
003	022	33A1190	THERMOCOUPLE M9X1X750	01/06/2002-
003	023	36Q0710	BICONE SCREW Ø 12	01/06/2002-
003	024	36Q0030	BICONE Ø12X8	01/06/2002-

Page	Pos	Code	Description	Info
003	025	33A0690	PILOT BURNER BODY Ø0,40	01/06/2002-
003	025	33A0960	PILOT BURNER BODY Ø0,25	01/06/2002-
004	001	35Y4910	VERT. UP RIGHT	01/06/2002-
004	002	35Y4860	LIFTING SUPPORT	01/06/2002-
004	003	35R0510	FLAT BRACKET	01/06/2002-
004	004	3008150	FRONT PANEL	17/07/2003-
004	005	36C5240	WELL HINGE	01/06/2002-
004	006	35V0710	"W" SUPPORT FOR LIFTING	01/06/2002-
004	007	35Y4880	SUPPORT	01/06/2002-
004	008	3004250	PANEL HORIZONTAL	18/04/2003-
004	009	35Y4852	SMALL PLATE	18/04/2003-