

Зип Общепит

vsezip.ru

+7(812)987-08-81



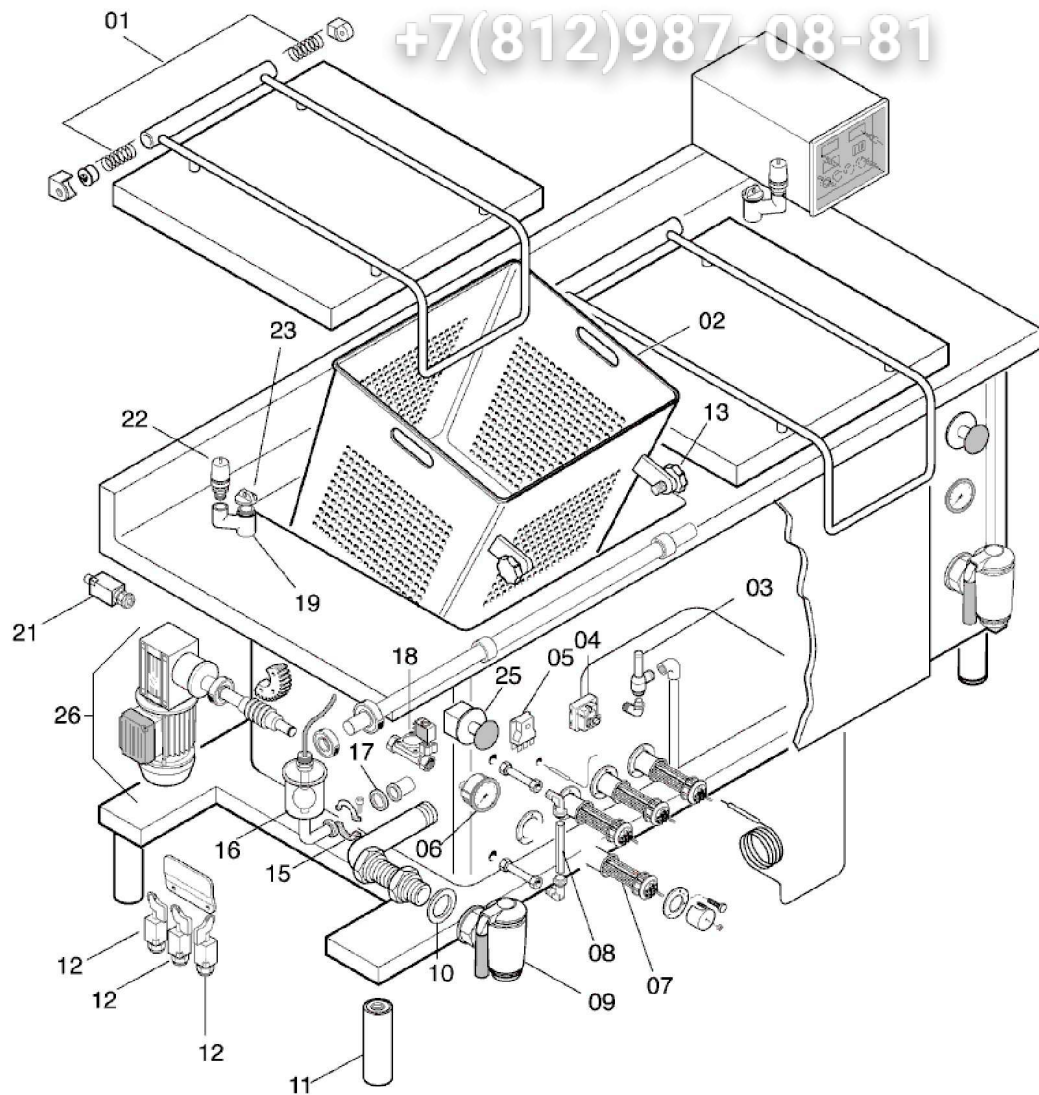
**MCF40E**

**Edition 20081001-**

Зип Общепит

vsezip.ru

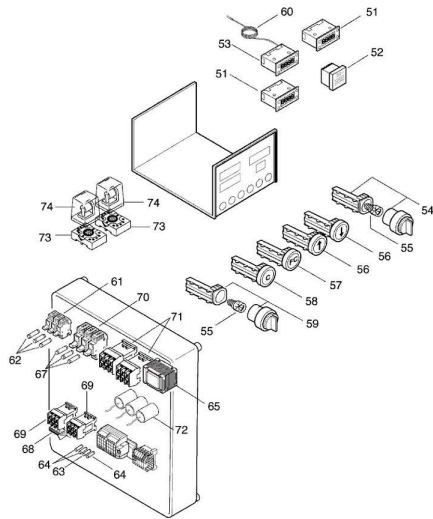
+7(812)987-08-81



Зип Общепит

vsezip.ru

+7(812)987-08-81



| Page | Pos | Code           | Description                        | Info        |
|------|-----|----------------|------------------------------------|-------------|
| 002  | 001 | 36H0950        | COUPLE HINGE SPRINGS               | 01/01/2006- |
| 002  | 002 | 36A2940        | BASKET 20 Kg                       | 01/01/2006- |
| 002  | 003 | 3114210        | PRESS. RELEASE VALVE 3/4"          | 01/01/2006- |
| 002  | 004 | 32V0320        | SAFETY THERMOSTAT                  | 01/01/2006- |
| 002  | 005 | 32V1790        | PRESSURE-SWITCH                    | 01/01/2006- |
| 002  | 006 | 3176170        | PRESSURE GAUGE 0-1 BAR             | 01/01/2006- |
| 002  | 007 | 32G0310        | HEATING ELEMENT 6KW - 230V         | 01/01/2006- |
| 002  | 007 | 32G2750        | HEATING ELEMENT 8KW                | 01/01/2006- |
| 002  | 008 | 37N1430        | PIPE                               | 01/01/2006- |
| 002  | 009 | 33D2291        | "DRAIN COCK 2""                    | 01/10/2008- |
| 002  | 010 | MCF40E-Pos.010 | WASHER                             | 01/01/2006- |
| 002  | 011 | MCF40E-Pos.011 | FOOT 1-1/2"                        | 01/01/2006- |
| 002  | 012 | 3024740        | MICROSWITCH                        | 01/01/2006- |
| 002  | 013 | 36M7310        | HANDLE                             | 01/01/2006- |
| 002  | 015 | MCF40E-Pos.015 | COUPLE JAWS                        | 01/01/2006- |
| 002  | 016 | 3111810        | WATER LEVEL SENSOR                 | 01/01/2006- |
| 002  | 017 | MCF40E-Pos.017 | GASKET                             | 01/01/2006- |
| 002  | 018 | 3114530        | ELECTRIC VALVE 3/4"- 24V           | 01/01/2006- |
| 002  | 019 | MCF40E-Pos.019 | EXPANSION BOX 3/8"                 | 01/01/2006- |
| 002  | 021 | 32W1770        | MICROSWITCH                        | 01/01/2006- |
| 002  | 022 | MCF40E-Pos.022 | VACUUM VALVE 1/2"                  | 01/01/2006- |
| 002  | 023 | 36C4410        | Plug                               | 01/01/2006- |
| 002  | 025 | 3030920        | STOP PUSH BUTTON                   | 01/01/2006- |
| 002  | 026 | 3025430        | SPEED REDUCER                      | 01/06/2006- |
| 003  | 051 | 32Z8130        | TIMER                              | 01/01/2006- |
| 003  | 052 | 32Z4870        | BUZZER                             | 01/01/2006- |
| 003  | 053 | 32Z8120        | THERMOREGULATOR                    | 01/01/2006- |
| 003  | 054 | 32W1780        | SWITCH 1-0-2                       | 01/01/2006- |
| 003  | 055 | 32W1830        | WARNING LAMP                       | 01/01/2006- |
| 003  | 056 | 32W1820        | PUSH BUTTON                        | 01/01/2006- |
| 003  | 057 | 32W1800        | PUSH BUTTON                        | 01/01/2006- |
| 003  | 058 | 32W1790        | PUSH BUTTON                        | 01/01/2006- |
| 003  | 059 | 32W1810        | SWITCH ON-OFF                      | 01/01/2006- |
| 003  | 060 | 32Z8140        | PROBE                              | 01/01/2006- |
| 003  | 061 | MCF40E-Pos.061 | FUSE HOLDER                        | 01/01/2006- |
| 003  | 062 | 3114620        | FUSE 2A 10x38                      | 01/01/2006- |
| 003  | 063 | MCF40E-Pos.063 | FUSE 4A T 5x20                     | 01/01/2006- |
| 003  | 064 | MCF40E-Pos.064 | FUSE 500mA T 5x20                  | 01/01/2006- |
| 003  | 065 | MCF40E-Pos.065 | TRANSFORMER 230- 400/12-0-12V 50VA | 01/01/2006- |
| 003  | 067 | MCF40E-Pos.067 | FUSE 40A GL 14x51                  | 01/01/2006- |
| 003  | 068 | 3114610        | THERMIC RELAY                      | 01/01/2006- |
| 003  | 069 | 3114550        | RELAY                              | 01/01/2006- |
| 003  | 070 | MCF40E-Pos.070 | FUSE HOLDER                        | 01/01/2006- |
| 003  | 071 | MCF40E-Pos.071 | RELAY                              | 01/01/2006- |
| 003  | 072 | 3114540        | THREE CAPACITOR                    | 01/01/2006- |
| 003  | 073 | 3012810        | RELAY HOLDER                       | 01/01/2006- |
| 003  | 074 | 3012800        | RELAY                              | 01/01/2006- |