

Зип Общепит

vsezip.ru

+7(812)987-08-81



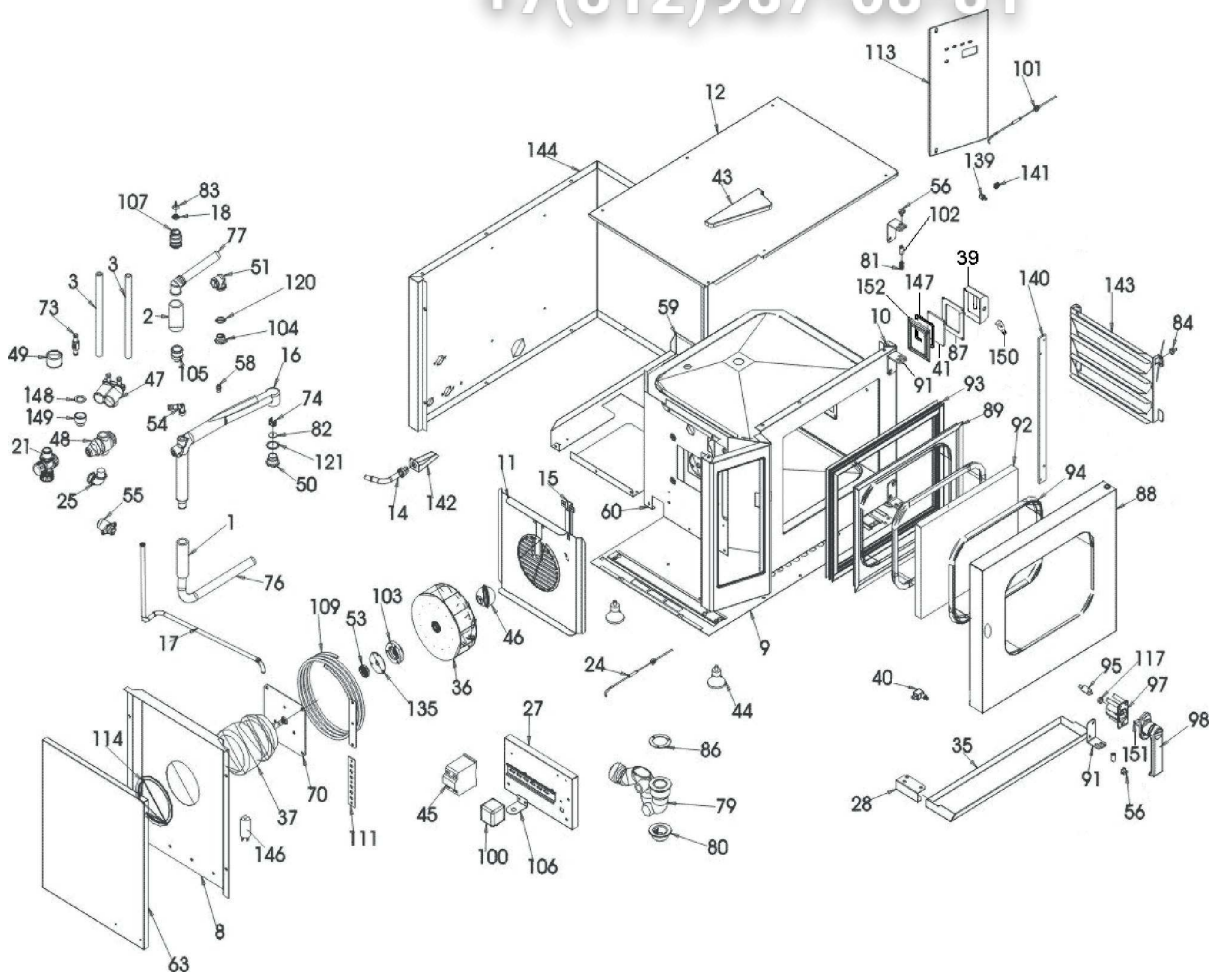
FCV4E

Edition 20141007-

Зип Общепит

vsezip.ru

+7(812)987-08-81



| Pos | Code | Description | Info |
|-----|---------|--|-------------|
| 001 | 111AA05 | RUBBER HOSE Ø30 Ø20 | 01/03/1996- |
| 002 | 131AA23 | RUBBER HOSE Ø35 Ø28 | 01/03/1996- |
| 003 | 131AA12 | RUBBER HOSE Ø17 Ø10 X H ² O | 01/03/1996- |
| 004 | 137AA15 | X H ² O GASKET | 01/03/1996- |
| 006 | 32Z6100 | FILTER | 24/02/1997- |
| 007 | 32Z6090 | FILTER | 01/03/1996- |
| 008 | 35Q8320 | GUARD ASS.Y | 01/03/1996- |
| 009 | 30T6042 | FOOT HOLDER ASS.Y | 24/02/1997- |
| 010 | 30D6251 | COOKING CHAMBER | 24/09/2004- |
| 011 | 30T3580 | CONVEYOR ASS.Y | 22/03/1999- |
| 012 | 35G7100 | OVEN COVER | 01/03/1996- |
| 014 | 30Z2160 | WATER INLET PIPE ASS.Y | 22/03/1999- |
| 015 | 30Z2170 | END PIPE, COMPLETE | 22/03/1999- |
| 016 | 36A3771 | STEAM DRAIN PIPE | 15/10/2010- |
| 017 | 35X1970 | LOWER DRAIN PIPE | 01/03/1996- |
| 018 | 36G6750 | RING NUT | 01/03/1996- |
| 019 | 32D1740 | TERMINAL | 24/01/2002- |
| 021 | 33Q4860 | H ₂ O FILTER | 19/07/2001- |
| 022 | 3140230 | 12/20 PIPE CLAMP | 01/03/1996- |
| 023 | 32X0320 | FASTON M.C | 01/03/1996- |
| 024 | 32Z6780 | PT100 PROBE | 01/03/1996- |
| 025 | 33Q0570 | ELBOW MF 1/2 | 01/03/1996- |
| 026 | 35V2540 | MICROSWITCH GUARD | 01/03/1996- |
| 027 | 35V2552 | SUPPORTING ELEM. | 07/09/1999- |
| 028 | 35V2890 | TRAY SUPPORT | 01/03/1996- |
| 029 | 3201540 | FUSE 5X20 | 01/03/1996- |
| 030 | 32D0870 | TERMINAL CLAMP | 01/03/1996- |
| 031 | 32D0840 | LIVE TERMINAL | 01/03/1996- |
| 032 | 32D0860 | GROUND TERMINAL | 01/03/1996- |
| 033 | 32D0850 | TERMINAL | 01/03/1996- |
| 034 | 32D1730 | FUSE TERMINAL BOARD | 24/01/2002- |
| 035 | 35W4400 | TRAY | 01/03/1996- |
| 036 | 32M4271 | FAN | 09/06/1998- |
| 037 | 32M4260 | MOTOR | 01/03/1996- |
| 039 | 3097180 | ASSEMBLY LAMP HOLDER | 16/02/2007- |
| 040 | 32W3340 | MICROSWITCH | 30/08/1999- |
| 041 | 3036962 | GLASS | 07/08/2012- |
| 042 | 3151441 | WASHER Ø22 Ø16.2=1.5 CU | 14/10/1998- |
| 043 | 36D1900 | CONTROL BOARD INSUL. PANEL | 01/03/1996- |
| 044 | 36D5690 | ADJUSTABLE FOOT | 01/03/1996- |
| 045 | 32Z2531 | RELAY 240V-50/60HZ | 31/12/1997- |
| 045 | 3100910 | RELAY 220/230V- 50/60Hz | 01/01/2008- |
| 045 | 3100910 | RELAY 220/230V- 50/60Hz | 01/01/2008- |
| 046 | 30Z0470 | SPRAYER BALL | 01/03/1996- |
| 047 | 33D1641 | SOLENOID VALVE 50/60HZ | 01/03/1996- |
| 048 | 33D1650 | "PRES. REDUC. VAL. F-F Ø 1/2"" | 01/03/1996- |
| 049 | 33D1680 | MANOMETRE 0-40BAR M1/8 | 01/03/1996- |
| 050 | 33Q6140 | VALVE CONNECTOR | 01/03/1996- |
| 051 | 33Q6120 | ELBOW 1/2" | 01/03/1996- |
| 052 | 33Q5450 | DEPRES. CONNECTOR | 01/03/1996- |
| 053 | 3111000 | MOTOR BEARING | 23/04/2007- |

| Pos | Code | Description | Info |
|-----|---------|------------------------|-------------|
| 054 | 33Q5592 | NOZZLE SUPPORT. ELBOW | 01/03/1996- |
| 055 | 33Q5641 | ENTRY CONNECTOR H2O | 01/03/1996- |
| 056 | 3190020 | SCREW M6X10 | 01/03/1996- |
| 057 | 37Q7440 | INSULATING PANEL | 01/03/1996- |
| 058 | 33T4110 | NOZZLE | 01/03/1996- |
| 059 | 35C9710 | INSULATION PANEL COVER | 22/03/1999- |
| 060 | 35B7401 | INSULATION PANEL COVER | 22/03/1999- |
| 061 | 37Q7450 | INSULATING PANEL | 01/03/1996- |
| 063 | 35C0870 | SIDE PANEL | 22/03/1999- |
| 064 | 37Q0660 | INSULATING PANEL | 01/03/1996- |
| 065 | 35Q7830 | FILTER | 01/03/1996- |
| 066 | 37Q0670 | INSULATING PANEL | 01/03/1996- |
| 067 | 37Q7480 | INSULATING PANEL | 01/03/1996- |
| 068 | 35S5900 | FILTER SUPPORT | 01/03/1996- |
| 069 | 37Q7490 | INSULATING PANEL | 01/03/1996- |
| 070 | 35V2180 | FLAT BRACKET | 01/03/1996- |
| 072 | 37Q7500 | INSULATING PANEL | 01/03/1996- |
| 073 | 33Q5900 | CONNECTOR FL 4 | 01/03/1996- |
| 074 | 35V2150 | "U" BRACKET | 01/03/1996- |
| 075 | 32D0890 | COCK MF 1" | 01/03/1996- |
| 076 | 35X1960 | DRAIN PIPE | 01/03/1996- |
| 077 | 35X1670 | PIPE | 01/03/1996- |
| 078 | 32D0191 | FAIRLEAD | 22/03/1999- |
| 079 | 36A3760 | DRAIN H37 MMH20 | 01/03/1996- |
| 080 | 36A3400 | DRAIN | 01/03/1996- |
| 081 | 36G5320 | SPRING | 01/03/1996- |
| 082 | 36G6770 | COUNTERWEIGHT | 01/03/1996- |
| 083 | 36G6740 | COUNTERWEIGHT | 01/03/1996- |
| 085 | 36Q1171 | LOCKNUT M16X1.5 | 01/03/1996- |
| 086 | 37Q3011 | GASKET | 01/03/1996- |
| 087 | 36E3170 | LAMP GASKET | 24/09/2004- |
| 088 | 30G3960 | OVEN DOOR | 11/10/2000- |
| 089 | 35G7050 | OVEN COUNTER DOOR | 01/03/1996- |
| 091 | 36M4122 | DOOR HINGE | 14/11/2000- |
| 092 | 37M4961 | OUTSIDE GLASS | 01/03/1996- |
| 093 | 37Q4980 | DOOR GASKET | 17/03/2003- |
| 094 | 37Q7401 | GASKET | 10/02/2000- |
| 095 | 3238750 | PIN | 05/03/2014- |
| 097 | 36E2060 | GUARD | 10/11/2000- |
| 098 | 36M7000 | HANDLE | 11/10/2000- |
| 099 | 32Z7130 | RELAY 240V-50HZ | 01/03/1996- |
| 100 | 32Z6790 | SAFETY THERMOSTAT | 01/03/1996- |
| 101 | 32Z6191 | TEMP.PROBE PT100 | 01/03/1996- |
| 102 | 36D7062 | PIN | 07/10/2014- |
| 103 | 33Q6320 | RING SUPPORT | 01/03/1996- |
| 104 | 33Q6130 | RING NUT | 01/03/1996- |
| 105 | 33Q5650 | SOCKET F3/4 M1/2 | 26/01/2007- |
| 106 | 35S6361 | Ø30X25 "L" SHAPED BAR | 29/04/1996- |
| 107 | 33Q6250 | CONNECTOR | 01/03/1996- |
| 108 | 3190020 | SCREW M6X10 | 17/09/1999- |
| 109 | 32G1940 | HEATING EL. | 01/03/1996- |

| Pos | Code | Description | Info |
|-----|---------|--------------------------------------|-------------|
| 110 | 35S6361 | L" SHAPED BAR | 29/04/1996- |
| 111 | 37Q3220 | GASKET | 01/03/1996- |
| 112 | 35Q6360 | THERMORES. PROTECTION | 01/03/1996- |
| 113 | 32Z6622 | P.C.B. | 05/09/2003- |
| 115 | 3128780 | WASHER | 01/03/1996- |
| 116 | 31C0090 | SCREW M5X60 | 04/04/2001- |
| 117 | 36E2490 | GUARD | 11/10/2000- |
| 118 | 3140300 | HOSE CLAMP | 10/01/1997- |
| 119 | 3140300 | HOSE CLAMP | 01/03/1996- |
| 120 | 3151720 | WASHER | 01/03/1996- |
| 121 | 3151730 | GASKET | 01/03/1996- |
| 124 | 32D0200 | LOCK NUT PG16 | 01/03/1996- |
| 127 | 35S0590 | "Z" BRACKET | 01/03/1996- |
| 128 | 35V6650 | "OMEGA" BRACKET | 01/03/1996- |
| 131 | 35V9300 | SUPPORT | 01/03/1996- |
| 132 | 35X2960 | DOOR DRAIN PIPE | 01/03/1996- |
| 133 | 36Q0080 | BICONE Ø 10X6.5 | 01/03/1996- |
| 134 | 36Q0140 | BICONE NUT Ø 10 | 01/03/1996- |
| 135 | 37Q0250 | GASKET | 01/03/1996- |
| 136 | 32Q4890 | EL. CABLES | 30/08/1999- |
| 137 | 3151441 | WASHER Ø22Ø16.2=1.5 CU | 22/03/1999- |
| 138 | 3152360 | WASHER 3/8" 3/8" Ø22-Ø17.2=1.5 CU/NI | 22/03/1999- |
| 139 | 36D8492 | FEELER SUPPORT | 22/03/1999- |
| 140 | 35V2230 | PLATE | 14/11/2000- |
| 141 | 36Q0550 | LOCK NUT M12X1.5 | 22/03/1999- |
| 142 | 35Y0830 | "WATER INLET ""U"" PROFILE" | 22/03/1999- |
| 143 | 35Y0890 | RH FRAME ASS. Y | 22/03/1999- |
| 144 | 35C9550 | BACK PANEL | 22/03/1999- |
| 145 | 35Y1450 | PROTECTION | 07/09/1999- |
| 146 | 32V6190 | CONDENSER 2,5µF 400V | 01/03/1996- |
| 148 | 37Q2840 | GASKET | 26/01/2007- |
| 149 | 3051370 | SLEEVE F3/4 M1/2 | 26/01/2007- |
| 150 | 32W0210 | OVEN LAMP 25 W | 16/02/2007- |
| 151 | 3236250 | SPRING | 01/03/1996- |
| 152 | 3159800 | LAMP GUARD | 28/10/2008- |