

Зип Общепит

vsezip.ru

+7(812)987-08-81



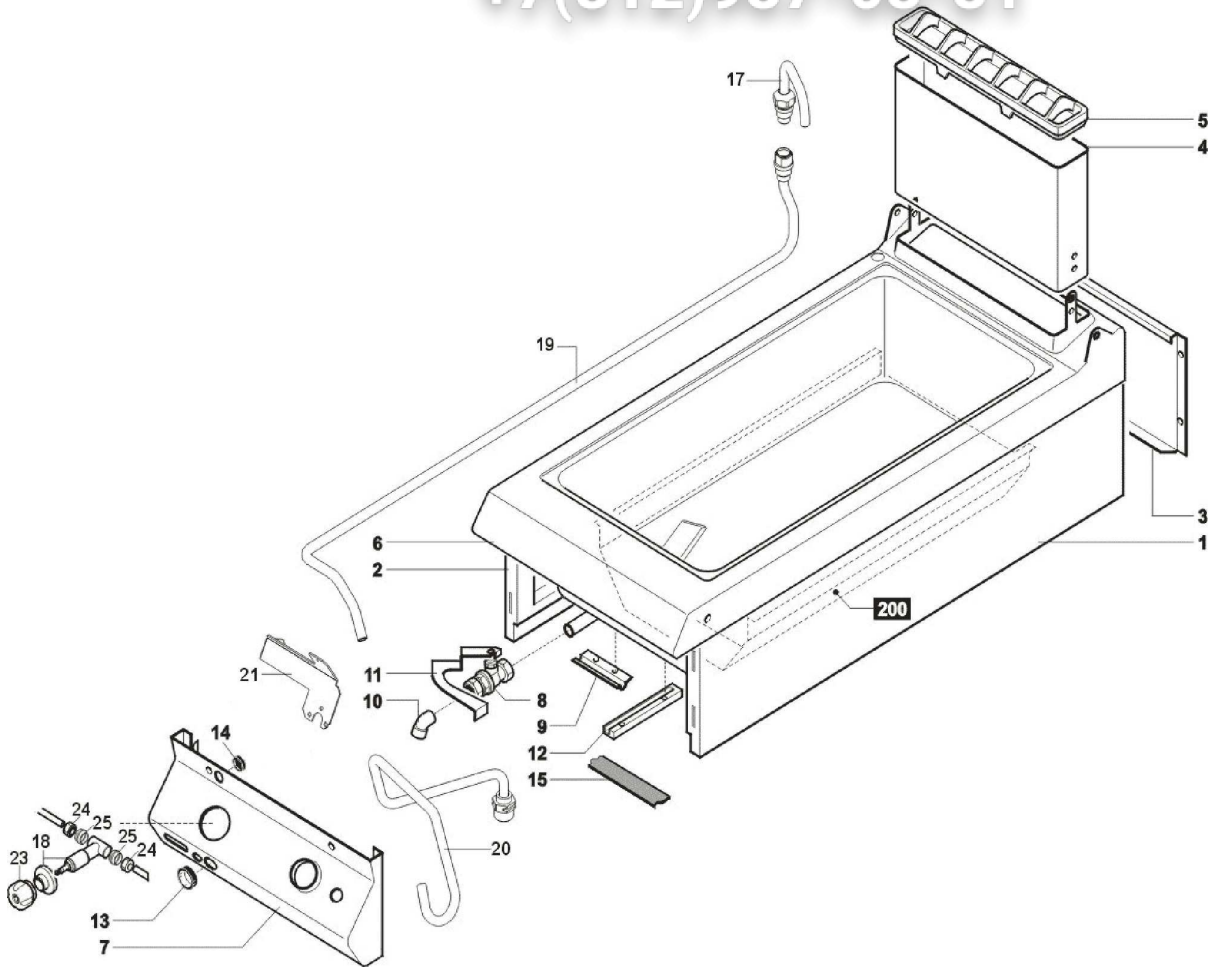
**0A0BMG**

**Edition 20120403-**

Зип Ощепит

vsezip.ru

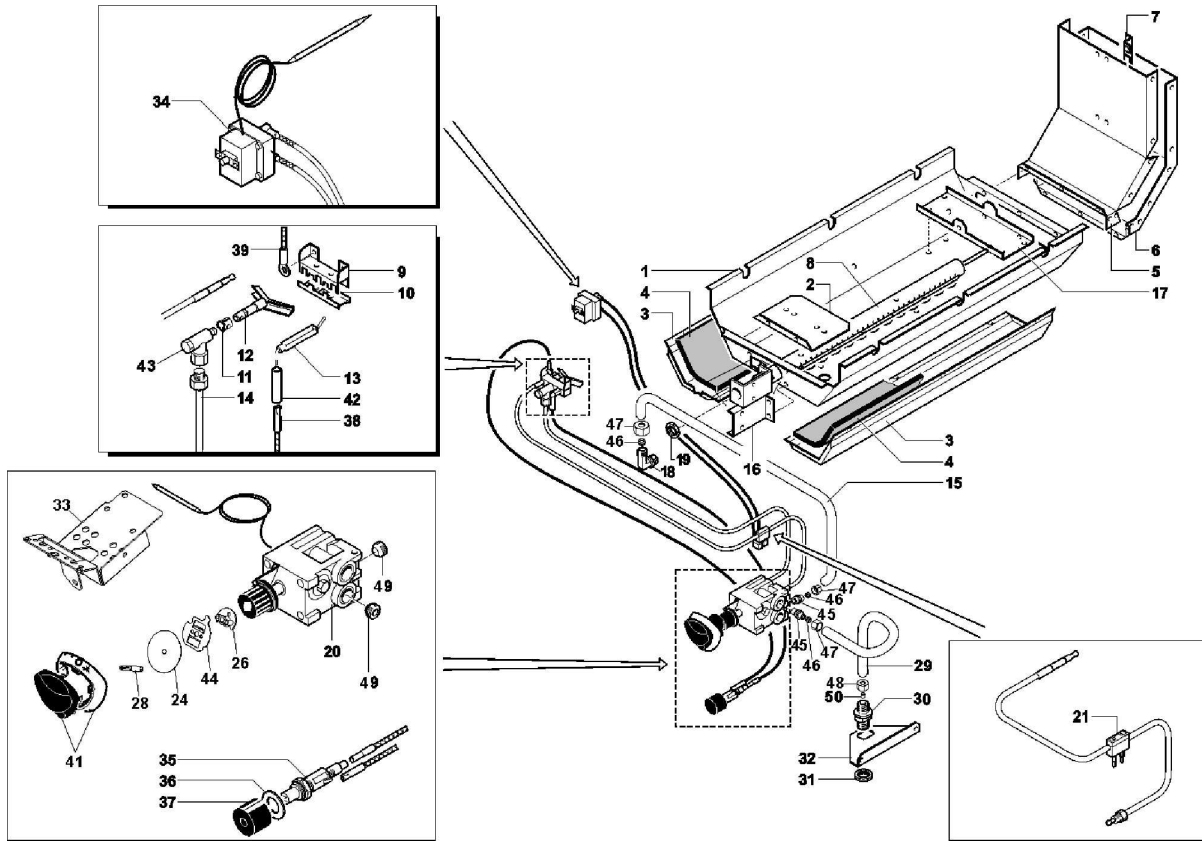
+7(812)987-08-81



Зип Общепит

vsezip.ru

+7(812)987-08-81



Page	Pos	Code	Description	Info
002	001	30A4980	RH PANEL	11/03/2002-
002	002	30A4970	LH PANEL	11/03/2002-
002	003	35A1552	REAR PANEL 400	03/04/2012-
002	004	30Q1810	EXT FLUE ASS. Y	30/10/2002-
002	005	36C2680	FLUE GUARD	01/02/1999-
002	006	30M8033	GAS TOP C/WELL ASS.	15/09/2003-
002	007	3033340	CONTROL BOARD	07/06/2004-
002	008	33D2131	COCK Ø18	29/01/2003-
002	009	35R0380	BULB SUPPORT	01/02/1999-
002	010	33Q3730	DRAIN PIPE 45° MF Ø	01/02/1999-
002	011	36G7852	COCK HANDLE	29/01/2003-
002	012	36C2810	FEELER SUPPORT	01/02/1999-
002	013	32X0060	GROMMET	01/02/1999-
002	014	32X0140	GROMMET Ø13,5-Ø25	01/02/1999-
002	015	157AA01	GASKET	01/02/1999-
002	016	35E0310	DEFLECTEUR	20/04/1999-
002	017	33Q4690	WATER SPOUT	29/06/2001-
002	018	6300727	COCK ASSEMBLY	28/01/2009-
002	019	30Z2780	PIPE	29/06/2001-
002	020	30Z2790	WATER PIPE ASS. Y	29/06/2001-
002	021	35R9490	SUPPORT	29/06/2001-
002	023	3162200	RED RING KNOB	28/01/2009-
002	200	M001220	COMBUSTION CHAMBER	01/02/1999-
003	001	35D9660	EXHAUST FLUE CHAMBER	01/02/1999-
003	002	35D9270	BAFFLE	01/02/1999-
003	003	35Q9790	INSULATION PANEL COVER	01/02/1999-
003	004	37Q1840	INSULATING PANEL	01/02/1999-
003	005	35D9690	REAR FLUE	01/02/1999-
003	006	35D9680	REAR FLUE	01/02/1999-
003	007	35R0050	"Z" BRACKET	01/02/1999-
003	008	34A1510	BURNER 5KW	01/02/1999-
003	009	35R1460	SUPPORT	01/02/1999-
003	010	33A0950	REAR BRACKET	01/02/1999-
003	011	33A0970	RING NUT	01/02/1999-
003	012	32Z2241	2 FLAMES BURNER	01/02/1999-
003	013	32T0010	IGNITION PLUG	01/02/1999-
003	014	3010760	PILOT LIGHT PIPE	04/06/2004-
003	015	3014330	FLEXIBLE PIPE DN10 L=600	16/02/2006-
003	016	35R0880	BURNER SUPPORT	01/02/1999-
003	017	35R0890	"U" BRACKET	01/02/1999-
003	018	33Q3840	NOZZLE SUPPORT. ELBOW	01/02/1999-
003	019	36Q0980	LOCK NUT M16X1.5	01/02/1999-
003	020	33A0491	GAS THERMOST. 30- 100° C	17/09/2004-
003	021	6021780	INTERRUPTED THERMOC. M9X1X600 CABL	01/01/2007-
003	024	3152250	GAS VALVE GUARD Ø 50	04/06/2004-
003	026	33A0920	ADAPTER	01/02/1999-
003	028	3000910	PIN VALVE	04/06/2004-
003	029	3014330	FLEXIBLE PIPE DN10 L=600	16/02/2006-
003	030	33Q3472	GAS ENTRY CONNECTOR	13/04/2007-
003	031	36Q1100	LOCK NUT 3/4"	01/02/1999-
003	032	35R1440	"L" BRACKET	01/02/1999-

Page	Pos	Code	Description	Info
003	033	3010860	THERMOSTAT BRACKET	04/06/2004-
003	034	32V0460	SAFETY THERMOSTAT	01/02/1999-
003	035	3166990	PIEZO IGNITION	13/07/2010-
003	036	3191100	WASHER Ø31 Ø18,3=2	01/02/1999-
003	037	37Q2100	HEAT. ELEM. PROTECTION	01/02/1999-
003	038	32A2541	CABLE "HF" 900MM	07/10/2009-
003	039	32A2530	CABLE 900MM	01/02/1999-
003	041	6300486	GAS CONTROL ASS.Y	01/02/1999-
003	042	131AA46	HOSE 8'X40	01/02/1999-
003	043	33A0690	PILOT BURNER BODY Ø0,40	02/09/2000-
003	044	3002410	LIMIT SWITCH	05/06/2004-
003	045	33Q4680	CONNECT. R3/8- M16X 1.5	02/07/2004-
003	046	36Q0080	BICONE Ø 10X6.5	05/05/2006-
003	047	36Q0830	BICONE NUT Ø 10	02/07/2004-
003	048	33Q0610	"ELBOW MF 1''"	02/07/2004-
003	049	36R0010	PLUG 3/8"	17/09/2004-
003	050	36Q1700	BICONEØ10Ø12X14	05/05/2006-