

Зип Общепит

vsezip.ru

+7(812)987-08-81



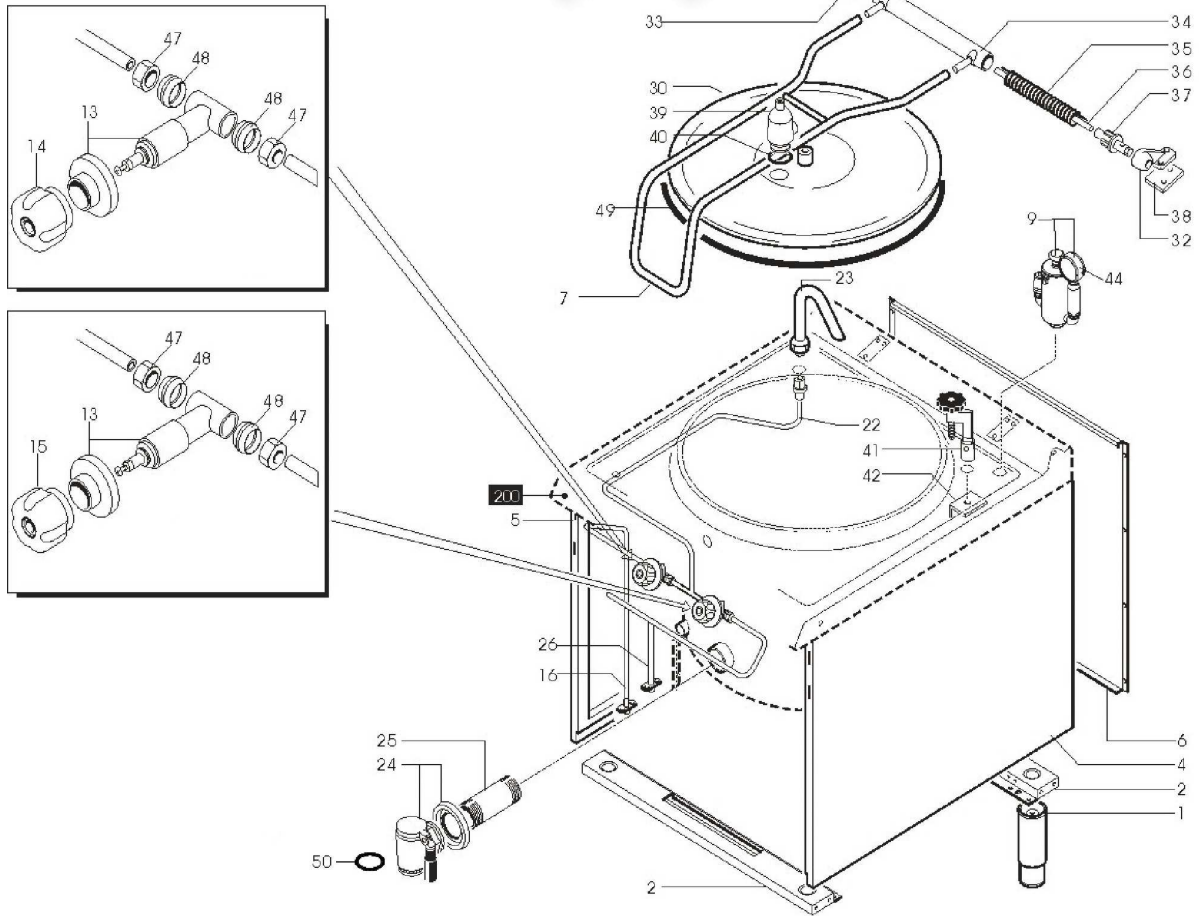
**1A1PI2VA**

**Edition 20120329-**

Зип Общепит

vsezip.ru

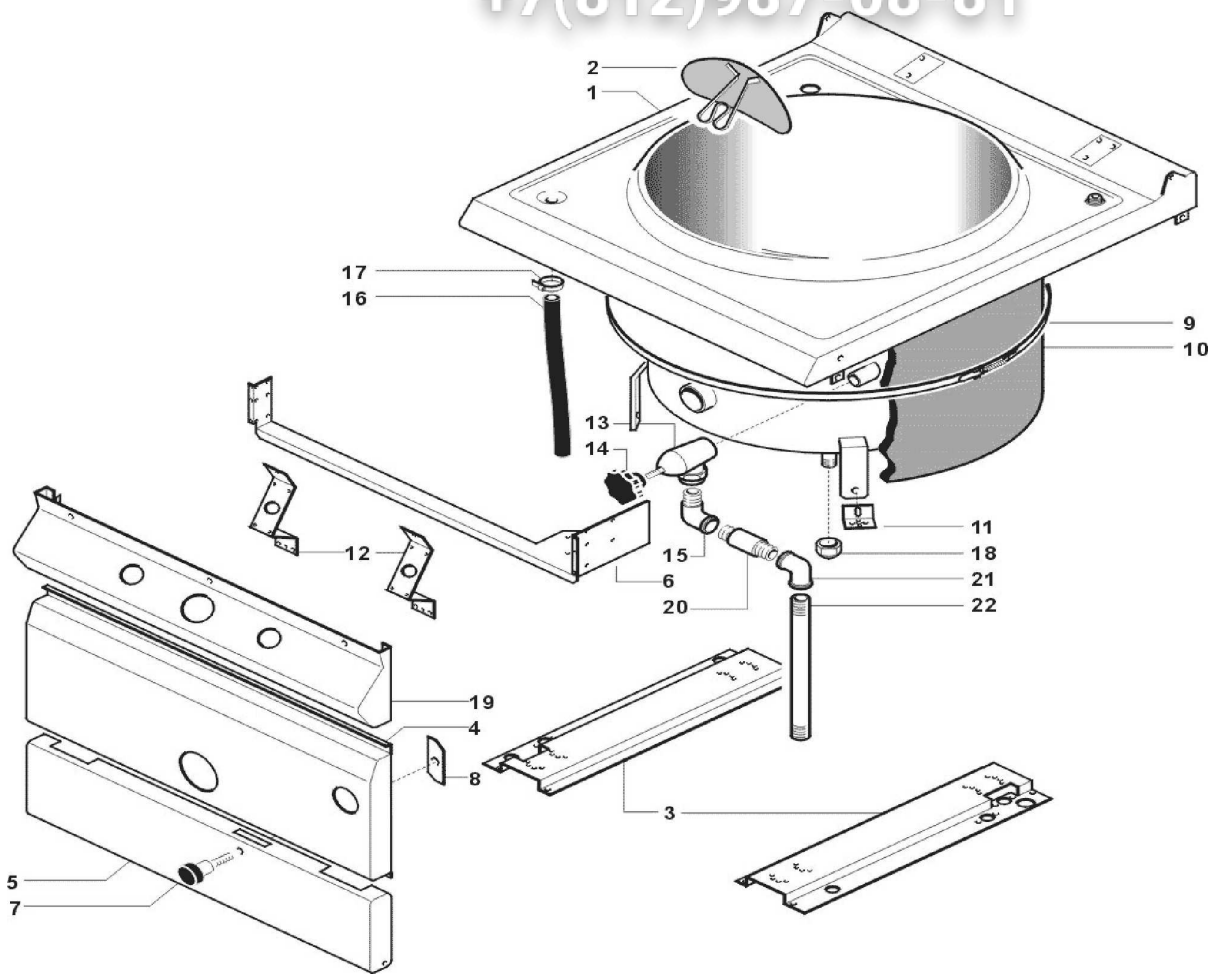
+7(812)987-08-81



Зип Общепит

vsezip.ru

+7(812)987-08-81



Page	Pos	Code	Description	Info
002	001	36C2970	STAINLESS STEEL FOOT	01/02/1999-
002	002	35R0220	OMEGA FRAME	01/02/1999-
002	004	30A4900	RH PANEL	11/03/2002-
002	005	30A4890	LH PANEL	11/03/2002-
002	006	35A1662	REAR PANEL	25/03/2012-
002	007	36G7720	HANDLE	01/02/1999-
002	009	3006310	"PRESS. RELEASE VALVE 3/4" 0,5B"	31/01/2003-
002	013	3162191	COCK 3/8"	18/12/2009-
002	014	3162200	RED RING KNOB	28/01/2009-
002	015	3162210	BLUE RING KNOB	28/01/2009-
002	016	3003570	WATER PIPE	24/04/2003-
002	020	36Q0030	BICONE Ø12X8	01/02/1999-
002	022	3003890	WATER PIPE	24/04/2003-
002	023	3003430	WATER SPOUT	23/04/2003-
002	023	3003430	WATER SPOUT	24/04/2003-
002	024	33D2291	"DRAIN COCK 2"""	01/10/2008-
002	025	35Z0600	DRAIN PIPE	01/02/1999-
002	026	3003560	WATER PIPE	24/04/2003-
002	029	33Q3900	"TEE ""L"" 1/2 ""M/F"""	01/02/1999-
002	030	35H3580	PAN LID + GASKET	03/02/2003-
002	032	36C2590	RH HINGE SUPPORT	01/02/1999-
002	033	36C2600	LH HINGE SUPPORT	01/02/1999-
002	034	36G6680	LID HINGE	01/02/1999-
002	035	36G2640	SPRING	01/02/1999-
002	036	36G2650	HINGE SHAFT	01/02/1999-
002	037	36G2680	SPRING PIN	01/02/1999-
002	038	35R0510	FLAT BRACKET	01/02/1999-
002	039	33G0151	PRESS. RELEASE VALVE	29/10/2007-
002	040	37Q3960	GASKET ØE56ØI46	01/02/1999-
002	041	36M6060	LID CLAMP	01/02/1999-
002	042	35T0400	STIFFENING	01/02/1999-
002	044	32Z0060	PRESSURE GAUGE 0-1 BAR	31/01/2003-
002	045	3188680	METALLIC HOSE (M.U.=MT)	13/12/2010-
002	047	36Q0140	BICONE NUT Ø 10	24/04/2003-
002	048	36Q0080	BICONE Ø 10X6.5	24/04/2003-
002	049	137AA03	LID GASKET	03/02/2003-
002	050	3152331	"OR" GASKET FOR DRAIN COCK 2"""	01/02/1999-
002	200	M000670	PLANE P12V	01/02/1999-
003	001	30W1910	PAN 150 LT. ASS. Y	01/02/1999-
003	002	30Q0450	FILTER	01/02/1999-
003	003	35R0480	OMEGA FRAME	01/02/1999-
003	004	35A6220	UPPER FRONT PANEL	01/02/1999-
003	005	35A6160	LOWER FRONT PANEL	01/02/1999-
003	006	35R3620	SUPPORT	01/02/1999-
003	007	36M5690	HANDLE	01/02/1999-
003	008	35T9780	FLAT BRACKET	01/02/1999-
003	009	36E0780	HOSE CLAMP	01/02/1999-
003	010	37Q4000	INSULATING PANEL	01/02/1999-
003	011	35R0560	"L" BRACKET	01/02/1999-
003	012	3003820	COCK SUPPORT	24/04/2003-
003	013	33G0031	STEAM COCK 1"1/4	01/02/1999-

Page	Pos	Code	Description	Info
003	014	36M0960	PRESS. VALVE KNOB	01/02/1999-
003	015	33Q1750	ELBOW MF 1/4"	01/02/1999-
003	016	111AA06	PIPE Ø 25 Ø 15	01/02/1999-
003	017	3140320	PIPE CLAMP	01/02/1999-
003	018	36Q1680	PLUG 1/4"	01/02/1999-
003	019	35A6212	UPPER CONTROL BOARD	31/01/2003-
003	020	35Z1780	STEAM MANIFOLD 1/4"	01/02/1999-
003	021	33Q1770	ELBOW 1/4"	01/02/1999-
003	022	35Z1770	STEAM MANIFOLD	01/02/1999-