

Зип Общепит

vsezip.ru

+7(812)987-08-81



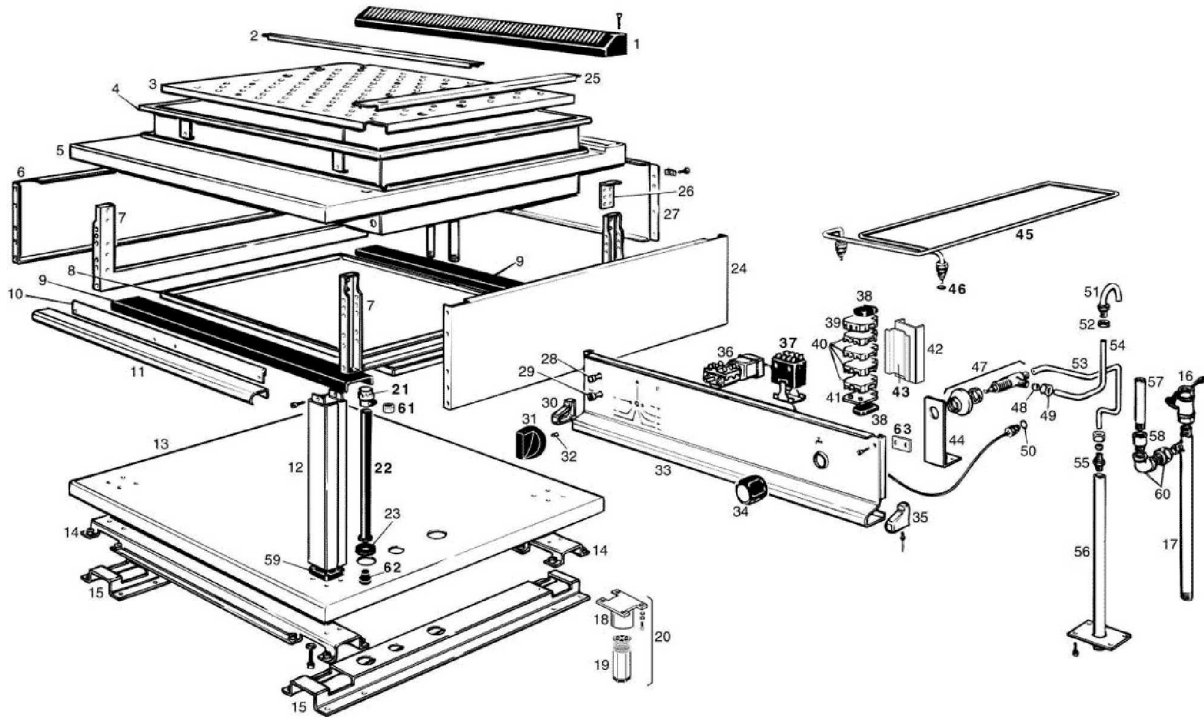
**071 ВМЕ**

**Edition 20110101-**

Зип Ощепит

vsezip.ru

+7(812)987-08-81



Pos	Code	Description	In o
001	35A9090	FLUE GUARD	01/09/1996-
002	35U7530	"U" BRACKET	01/09/1996-
003	35M4410	FALSE BOTTOM	01/09/1996-
004	30W2900	WELL ASS. Y	01/09/1996-
005	30M2650	TOP ASS. Y	01/09/1996-
006	35A8220	LH PANEL	01/09/1996-
007	30T1780	SIDE FRAME ASS. Y	01/09/1996-
008	35Q6510	LOWER GUARD	01/09/1996-
009	35U3520	FRAME FRONT CROSS SECT.	01/09/1996-
010	35U5880	GUARD ASS.Y	01/09/1996-
011	35U7120	HANDLE SECTION	01/09/1996-
012	30A1691	RISER	01/09/1996-
013	35M3940	UNDER SHELF	01/09/1996-
014	35V2810	LOWER CROSS MEMBER	01/09/1996-
015	35U7371	"OMEGA" BRACKET	01/09/1996-
016	33D0170	COCK FF 3/4"	01/09/1996-
017	30Z1520	DRAIN PIPE ASS. Y	01/09/1996-
018	36D9360	FOOT HOUSING ASS. Y	01/09/1996-
019	36D9350	STAINLESS STEEL FOOT	01/09/1996-
020	36D9340	STAINLESS STEEL FOOT ASS.Y	01/09/1996-
021	32D1250	PIPE JOINT 3/4"	01/09/1996-
022	35X3590	CABLE INLET PIPE	01/09/1996-
023	32X0130	GROMMET Ø29-Ø37	01/09/1996-
024	35A8210	RH PANEL	01/09/1996-
025	35U7350	""U"" BRACKET"	01/09/1996-
026	35U7140	"L" BRACKET	01/09/1996-
027	35A8230	REAR PANEL	01/09/1996-
028	3106710	GREEN LIGHT 230V	23/05/2007-
029	3106730	ORANGE LIGHT 230V	23/05/2007-
030	36D3430	LH END SIDE	01/09/1996-
031	36M2400	ELECTRIC CONTROL KNOB	01/09/1996-
032	3170290	KNOB SPRING	01/09/1996-
033	30A2290	UPPER CONTROL BOARD ASS.Y	01/09/1996-
034	36M2642	RED RING KNOB	01/01/2011-
035	36D3420	RH END SIDE	01/09/1996-
036	32Z3290	THERMOSTAT	01/09/1996-
037	32Z4471	RELAIS 220V - 50HZ	01/09/1996-
038	32D0060	TERMINAL CLAMPING BOARD	01/09/1996-
039	32D0480	GROUND TERMINAL	01/09/1996-
040	32D0470	LIVE TERMINAL	01/09/1996-
041	32D0490	TERMINAL END COVER	01/09/1996-
042	35U8370	TERM. BLOCK SUPPORT	01/09/1996-
043	32D0540	"OMEGA" BRACKET	01/09/1996-
044	35U6420	"L" BRACKET	01/09/1996-
045	32G0071	HEATING ELEMENT	01/09/1996-
046	3150390	"O" RING Ø 15.08	01/09/1996-
047	33D0590	"COCK 3/8""	01/09/1996-
048	36Q0080	BICONE Ø 10X6.5	01/09/1996-
049	36Q0140	BICONE NUT Ø 10	01/09/1996-
050	3150390	"O" RING Ø 15.08	01/09/1996-
051	33Q2730	WATER SPOUT	01/09/1996-

Pos	Code	Description	In o
052	36Q1110	LOCK NUT 3/8"	01/09/1996-
053	35Z6070	PIPE	01/09/1996-
054	35Z6060	PIPE	01/09/1996-
055	33Q2740	NIPPLE M 3/8"	01/09/1996-
056	30Z1510	INLET WATER PIPE	01/09/1996-
057	35Z6720	DRAIN PIPE	01/09/1996-
058	33Q2990	SOCKET MF 3/8"-1/2"	01/09/1996-
059	36D3911	UPRIGHT OUTSOLE	01/09/1996-
060	33Q2980	"UNION ELBOW 3/8""	01/09/1996-
061	36Q1100	LOCK NUT 3/4"	01/09/1996-
062	32D1260	BUSHING	01/09/1996-
063	35T9650	FLAT BRACKET	01/09/1996-
064	32Q1740	CABLE ASS.Y	01/09/1996-