

Зип Общепит

vsezip.ru

+7(812)987-08-81



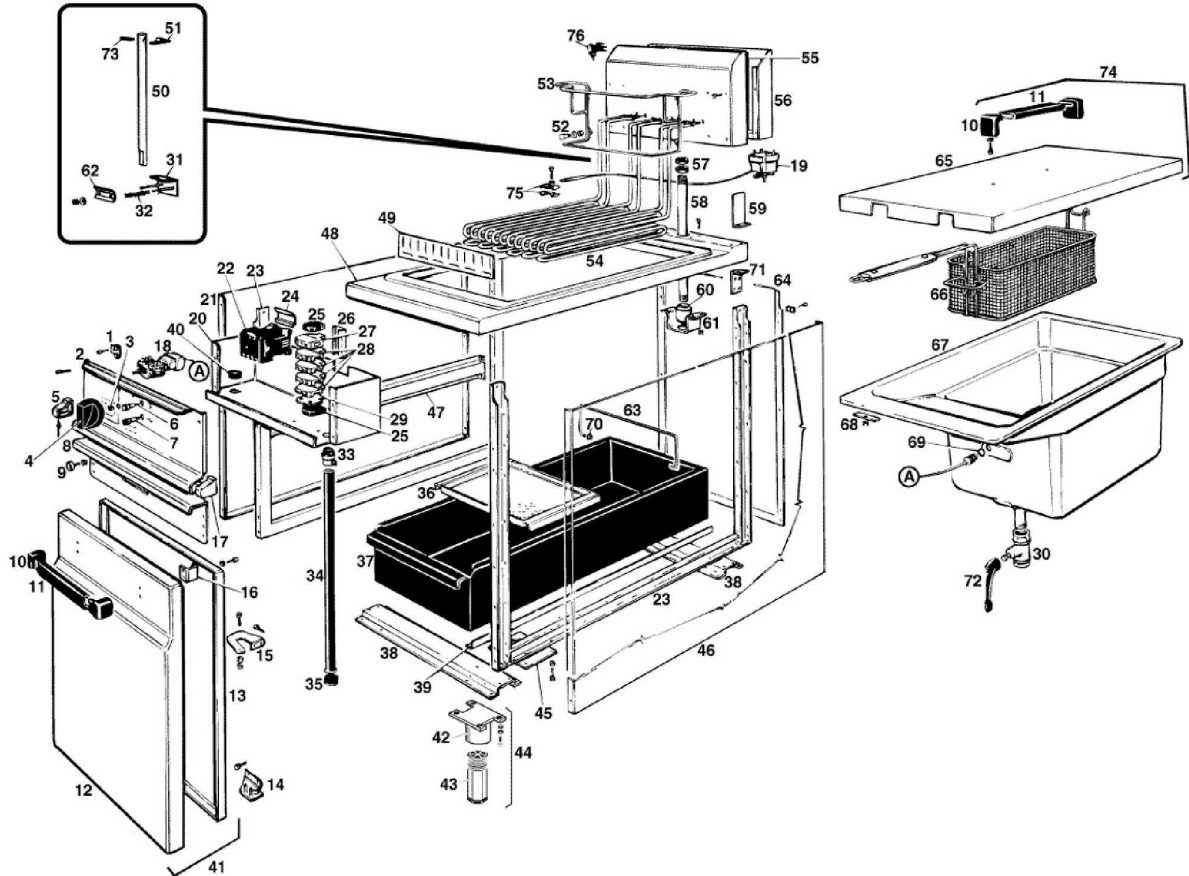
70FE

Edition 20080311-

Зип Общепит

vsezip.ru

+7(812)987-08-81



Pos	Code	Description	In o
001	35U6700	SUPPORT	01/09/1993-
002	30A2460	UPPER CONTROL BOARD ASS.Y	01/09/1993-
003	3170290	KNOB SPRING	01/09/1993-
004	36M2400	ELECTRIC CONTROL KNOB	01/09/1993-
005	36D3430	LH END SIDE	01/09/1993-
006	3106710	GREEN LIGHT 230V	23/05/2007-
007	3106730	ORANGE LIGHT 230V	23/05/2007-
008	35G2520	FRONT PANEL	01/09/1993-
009	3600090	MAGNET PLATE	01/09/1993-
010	36M2910	TERMINAL	01/09/1993-
011	36M2471	HANDLE	01/09/1993-
012	35G1920	DOOR	01/09/1993-
013	30G0980	RH INNER DOOR FRAME ASS. Y	01/09/1993-
014	36M2500	RH LOWER HINGE ASS. Y	01/09/1993-
015	36M2541	RH UPPER HINGE	01/09/1993-
016	35U3150	""C"" BRACKET"	01/09/1993-
017	36D3420	RH END SIDE	01/09/1993-
018	32Z2480	THERMOSTAT 98/182° C	01/09/1993-
019	32Z3631	SAFETY THERMOSTAT	01/09/1993-
020	30Q1000	FRONT PROTECTION	01/09/1993-
021	35A8120	LH PANEL	01/09/1993-
022	32Z0660	RELAY 220V-50HZ	01/09/1993-
022	32Z0680	RELAY 220V-60HZ	01/09/1993-
022	32Z2090	RELAY 220V-50HZ	01/09/1993-
022	32Z2520	RELAY 240V.5 0HZ	01/09/1993-
022	32Z2950	RELAY 220V-60HZ	01/09/1993-
022	32Z4710	RELAY 440V-60HZ	01/09/1993-
023	30T1730	SIDE FRAME ASS. Y	01/09/1993-
024	32D0540	"OMEGA" BRACKET	01/09/1993-
025	32D0060	TERMINAL CLAMPING	01/09/1993-
026	32D0500	BOARD "C" BRACKET	01/09/1993-
027	32D0480	GROUND TERMINAL	01/09/1993-
028	32D0470	LIVE TERMINAL	01/09/1993-
029	32D0490	TERMINAL END COVER	01/09/1993-
030	32D0890	COCK MF 1"	01/09/1993-
031	30T2590	"L" BRACKET	01/09/1993-
032	36G3730	SPRING	01/09/1993-
033	32D0510	JOINT 3/4"	01/09/1993-
034	35U7310	CABLE INLET PIPE	01/09/1993-
035	32X0130	GROMMET Ø29-Ø37	01/09/1993-
036	35Q6040	OIL FILTER	01/09/1993-
037	32W2550	SWITCH	01/09/1993-
038	35U4580	"OMEGA" BRACKET	01/09/1993-
039	35U3480	"L" BRACKET	01/09/1993-
040	32X0120	GROMMETØ 21	01/09/1993-
041	6000900	DOOR ASS.Y	01/09/1993-
042	36D9360	FOOT HOUSING ASS. Y	01/09/1993-
043	36D9350	STAINLESS STEEL FOOT	01/09/1993-
044	36D9340	STAINLESS STEEL FOOT ASS.Y	01/09/1993-
045	35U5490	FLAT BRACKET	01/09/1993-
046	35A8110	RH PANEL	01/09/1993-

Pos	Code	Description	In o
047	35S0510	CROSS MEMBER	01/09/1993-
048	30M1451	TOP ASS. Y	01/09/1993-
049	35S0500	FLAT BRACKET	01/09/1993-
050	36D4130	MOBILE ROD	01/09/1993-
051	35U6290	ROD GUIDE	01/09/1993-
052	36G2980	PIN	01/09/1993-
053	36A2030	BASKET SUPPORT	01/09/1993-
054	32G0100	HEATING EL.	01/09/1993-
054	32G1180	HEATING EL. 4700/5600W	01/09/1993-
054	32G1460	HEATING EL. 4700W.440V	01/09/1993-
055	35B0221	HEATING EL. SUPPORT	01/09/1993-
056	30Q1020	REAR PLATE ASS. Y	01/09/1993-
057	36Q1100	LOCK NUT 3/4"	01/09/1993-
058	35Z5960	REAR CABLE PIPE	01/09/1993-
059	35U6260	"L" BRACKET	01/09/1993-
060	36D3410	PIPE GUIDE	01/09/1993-
061	35U6270	""OMEGA"" BRACKET"	01/09/1993-
062	35S0530	BAR CLAMP BRACKET	01/09/1993-
063	36M2670	OIL CONTAINER HANDLE	01/09/1993-
064	35A9220	REAR PANEL	01/09/1993-
065	35G2280	WELL LID	01/09/1993-
066	36A2020	PERFORATED BASKET	01/09/1993-
067	30W1641	WELL ASS. Y	01/09/1993-
068	36D3760	WELL BRACKET	01/09/1993-
069	3150390	"O" RING Ø 15.08	01/09/1993-
070	3170240	CATCH Ø 5	01/09/1993-
071	35U7140	"L" BRACKET	01/09/1993-
072	36M2960	COCK HANDLE	01/09/1993-
073	31Z8160	LOCK PIN Ø 6X36	01/09/1993-
074	6002040	WELL LID ASS. Y	01/09/1993-
075	35S0540	CAPILLARY BULB SUPPORT	01/09/1993-
076	32W3340	MICROSWITCH	11/03/2008-
077	32Q1890	EL. CABLES 70FE	01/09/1993-