

Зип Общепит

vsezip.ru

+7(812)987-08-81



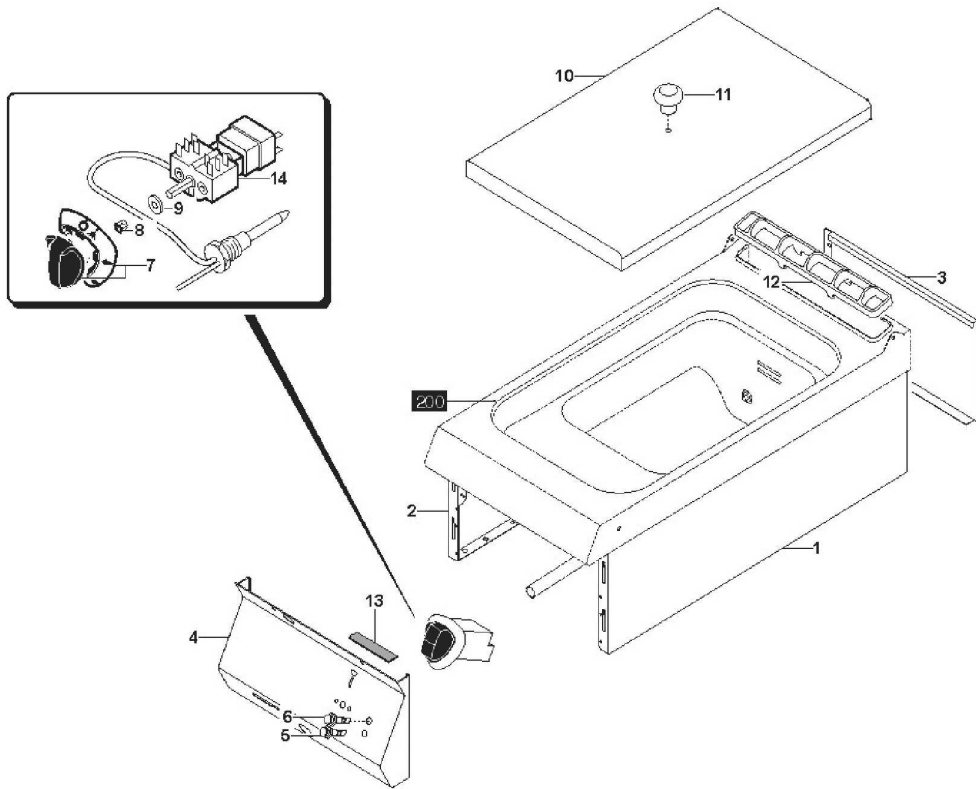
**OG0FR3E**

**Edition 20140314-**

Зип Общепит

vsezip.ru

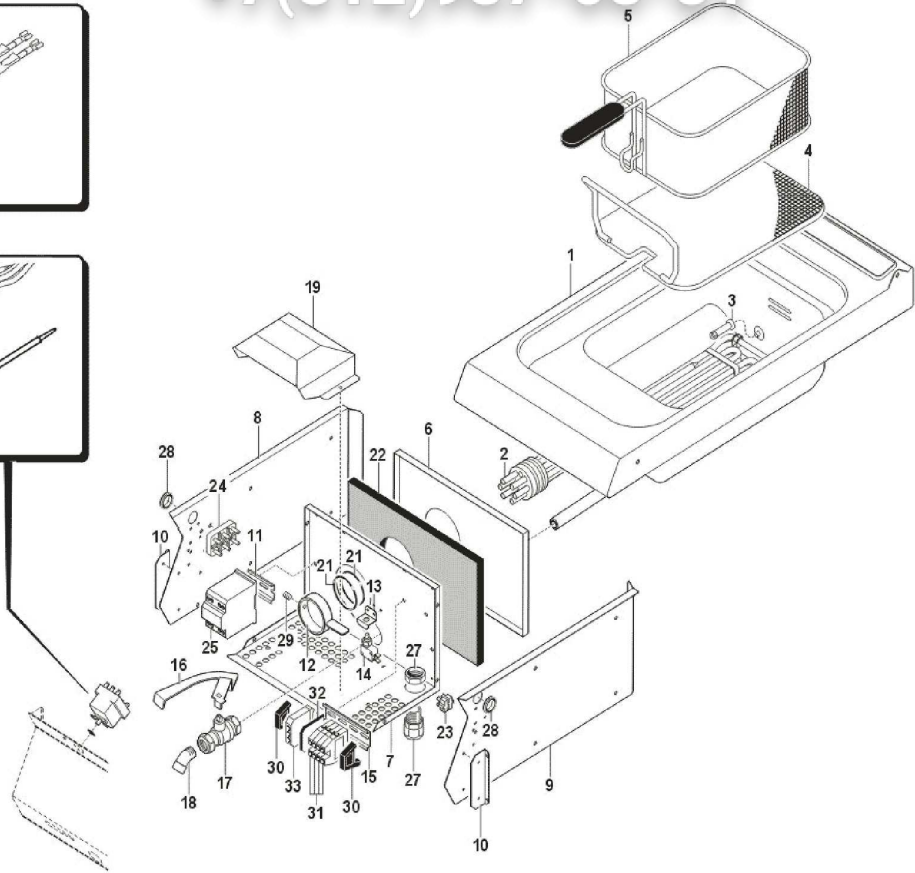
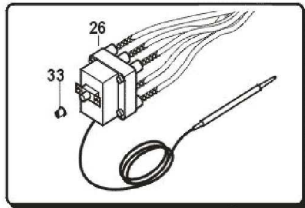
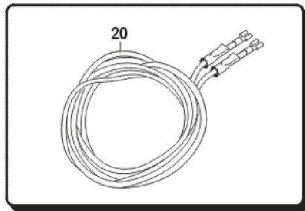
+7(812)987-08-81



Зип Общепит

vsezip.ru

+7(812)987-08-81



Page	Pos	Code	Description	Info
002	001	35H2490	RH PANEL	01/06/2002-
002	002	35H2890	LH PANEL	01/06/2002-
002	003	35E3380	REAR PANEL 350	01/06/2002-
002	004	30A5130	UPPER CONTROL BOARD	01/06/2002-
002	005	3106730	ORANGE LIGHT 230V	23/05/2007-
002	006	3106710	GREEN LIGHT 230V	23/05/2007-
002	007	3015831	EL. CONTROL ASS.Y	01/03/2008-
002	008	3170290	KNOB SPRING	01/06/2002-
002	009	3152240	THERMOSTAT	01/06/2002-
002	010	35L0050	LID	17/07/2007-
002	011	36M5430	HANDLE	01/06/2002-
002	012	36C4780	FLUE GUARD	01/06/2002-
002	013	137AA04	GASKET	01/06/2002-
002	014	6300752	THERMOSTAT ASS.Y	10/12/2009-
002	200	M012520	M.ELECTRIC DEEP-FAT FRYER	01/06/2002-
003	001	30M8164	TOP EL. ASS. Y	14/03/2014-
003	002	32G2610	HEATING ELEMENT 7.2KW	01/06/2002-
003	003	3182220	PIN	30/06/2010-
003	004	3006800	BOTTOM PLATE 358x234x126	15/07/2003-
003	005	3007210	BASKET 283x225x115	15/07/2003-
003	006	35E4620	INS. PANEL COVERING	01/06/2002-
003	007	35P4610	ELCTRIC BOX	01/06/2002-
003	008	35P5990	PARA-SPRINKLES SIDE LH	01/06/2002-
003	009	35P4940	PARA-SPRINKLES	01/06/2002-
003	010	35P4600	SIDE RH "SUPPORT ""L""	01/06/2002-
003	011	32D0940	"OMEGA" BRACKET	01/06/2002-
003	012	30T7021	LEVER	22/10/2010-
003	013	35Y2890	SUPPORT	01/06/2002-
003	014	32W3340	MICROSWITCH	11/03/2008-
003	015	35S5420	""OMEGA"" BRACKET"	01/06/2002-
003	016	36G7852	COCK HANDLE	01/06/2002-
003	017	33D2131	COCK Ø18	01/06/2002-
003	018	33Q3730	DRAIN PIPE 45° MF Ø	01/06/2002-
003	019	35P4740	PROTECTION	01/06/2002-
003	020	32Q5760	EL. CABLES	01/06/2002-
003	021	60A0980	"O" RING Ø 47,22 ASS.Y"	01/06/2002-
003	022	37Q4810	INSULANTING PANEL	01/06/2002-
003	023	32D1450	TERMINAL	01/06/2002-
003	024	32D0030	TERMINAL BOARD	01/06/2002-
003	025	3100910	RELAY 220/230V- 50/60Hz	26/03/2007-
003	026	32V6561	SAFETY THERMOSTAT	28/10/2008-
003	027	32D1780	FAIRLEAD	01/06/2002-
003	028	32X0140	GROMMET Ø13,5-Ø25	01/06/2002-
003	029	31W0180	SCREW	01/06/2002-
003	030	32D0870	TERMINAL CLAMP	01/06/2002-
003	031	32D0950	LIVE TERMINAL	01/06/2002-
003	032	32D0960	TERMINAL END COVER	01/06/2002-
003	033	32D0970	GROUND TERMINAL	01/06/2002-