

Зип Общепит

vsezip.ru

+7(812)987-08-81



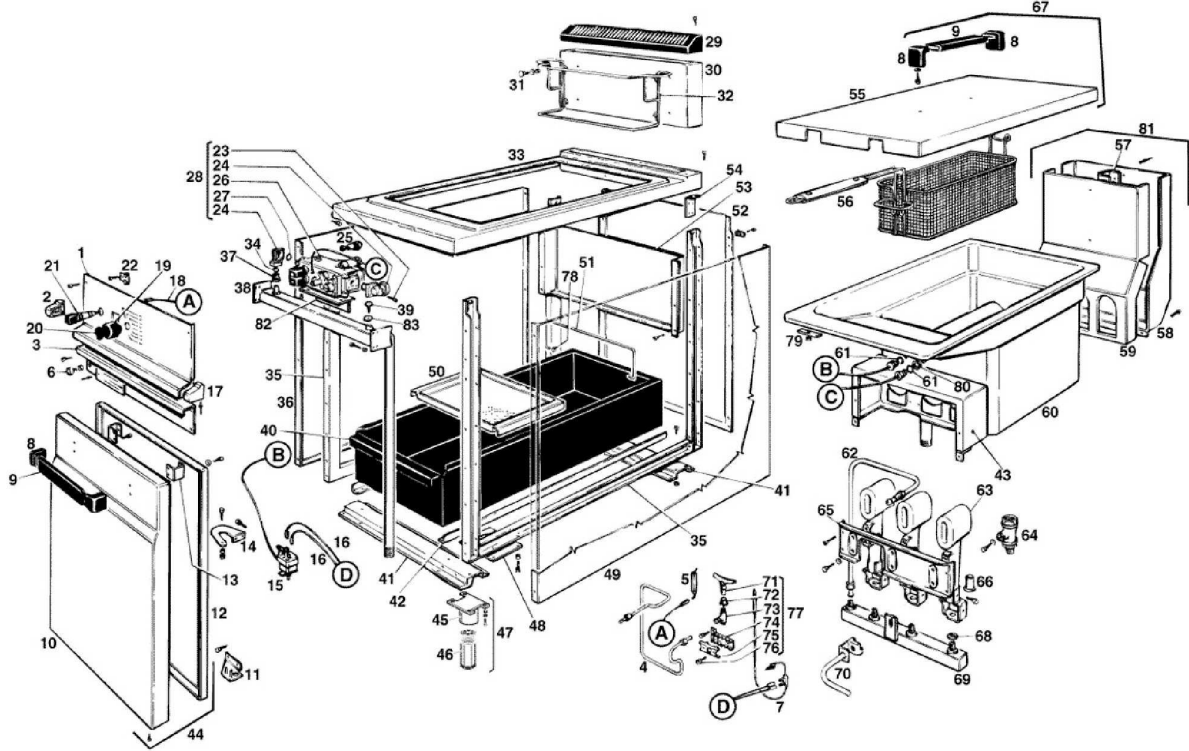
70F

Edition 20010601-

Зип Ощепит

vsezip.ru

+7(812)987-08-81



Pos	Code	Description	In o
001	35A9180	UPPER CONTROL BOARD	01/09/1993-
002	36D3430	LH END SIDE	01/09/1993-
003	30G1090	FRONT PANEL ASS. Y	01/09/1993-
004	35Z5730	PILOT LIGHT PIPE	01/09/1993-
005	32T0060	IGNITION PLUG	01/09/1993-
006	3600090	MAGNET PLATE	01/09/1993-
007	6021770	INTERRUPTED THERMOC.	01/06/2001-
008	36M2910	M9X1X1000 CAB TERMINAL	01/09/1993-
009	36M2471	HANDLE	01/09/1993-
010	35G1920	DOOR	01/09/1993-
011	36M2500	RH LOWER HINGE ASS. Y	01/09/1993-
012	30G0980	RH INNER DOOR FRAME ASS. Y	01/09/1993-
013	35U3150	""C"" BRACKET"	01/09/1993-
014	36M2541	RH UPPER HINGE	01/09/1993-
015	32Z8000	SAFETY THERMOSTAT	01/09/1993-
016	32A0190	CABLE 600MM	01/09/1993-
017	36D3420	RH END SIDE	01/09/1993-
018	32A0210	CABLE "HF" 700MM	01/09/1993-
019	36M2580	GAS THERMOSTAT KNOB	01/09/1993-
020	36M2800	KNOB PLATE	01/09/1993-
021	32T0130	PIEZO IGNITION	01/09/1993-
022	35U6700	SUPPORT	01/09/1993-
023	31B8820	SCREW TCB M4X15CROSS	01/09/1993-
024	33Q2650	"ELBOW MF 3/8""	01/09/1993-
025	32Z1490	GAS THERMOSTAT MAGNET	01/09/1993-
026	33A1370	GAS THERMOSTAT	01/09/1993-
027	3150770	"O" RING Ø 21	01/09/1993-
028	6000480	GAS THERMOSTAT ASS. Y	01/09/1993-
029	35Q5680	FLUE GUARD	01/09/1993-
030	30D1171	EXT. FLUE 400MM ASS. Y	01/09/1993-
031	36G2980	PIN	01/09/1993-
032	36A2030	BASKET SUPPORT	01/09/1993-
033	30M0900	TOP ASS.Y	01/09/1993-
034	36Q0030	BICONE Ø12X8	01/09/1993-
035	30T1730	SIDE FRAME ASS. Y	01/09/1993-
036	35A8120	LH PANEL	01/09/1993-
037	36Q0710	BICONE SCREW Ø 12	01/09/1993-
038	30Z1420	GAS MANIFOLD	01/09/1993-
039	31A7380	SCREW TE M5X10	01/09/1993-
040	35W2550	OIL CONTAINER	01/09/1993-
041	35U4580	"OMEGA" BRACKET	01/09/1993-
042	35U3480	"L" BRACKET	01/09/1993-
043	30Q2000	BURNER HOUSING ASS. Y	01/09/1993-
044	6000900	DOOR ASS.Y	01/09/1993-
045	36D9360	FOOT HOUSING ASS. Y	01/09/1993-
046	36D9350	STAINLESS STEEL FOOT	01/09/1993-
047	36D9340	STAINLESS STEEL FOOT ASS.Y	01/09/1993-
048	35U5490	FLAT BRACKET	01/09/1993-
049	35A8110	RH PANEL	01/09/1993-
050	35Q6040	OIL FILTER	01/09/1993-
051	36M2670	OIL CONTAINER HANDLE	01/09/1993-

Pos	Code	Description	In o
052	35A9220	REAR PANEL	01/09/1993-
053	35Q6100	REAR GUARD PANEL	01/09/1993-
054	35U7140	"L" BRACKET	01/09/1993-
055	35G6990	WELL LID	01/09/1993-
056	36A2020	PERFORATED BASKET	01/09/1993-
057	35U4610	"U" BRACKET	01/09/1993-
058	35D4780	FLUE REAR PLATE	01/09/1993-
059	35D4770	FLUE	01/09/1993-
060	30W2190	WELL ASS .Y	01/09/1993-
061	3150390	"O" RING Ø 15.08	01/09/1993-
062	35Z2460	BURNER PIPE	01/09/1993-
063	34A1560	VERTICAL BURNER	01/09/1993-
064	33D0890	COCK MF 1"	01/09/1993-
065	35T7010	BURNER SUPPORT	01/09/1993-
066	36D4170	BUSHING Ø 24X42	01/09/1993-
067	6003700	WELL LID ASS. Y	01/09/1993-
068	36Q1110	LOCK NUT 3/8"	01/09/1993-
069	30Z7240	GAS MANIFOLD	01/09/1993-
070	36D3520	COCK HANDLE ASS. Y	01/09/1993-
071	32Z2241	2 FLAMES BURNER	01/09/1993-
072	33A0970	RING NUT	01/09/1993-
073	33A0960	PILOT BURNER BODY Ø0,25	01/09/1993-
074	33A1000	FRONT BRACKET	01/09/1993-
075	33A0950	REAR BRACKET	01/09/1993-
076	33A0980	SCREW 3/16W. X18TE	01/09/1993-
077	6000280	PILOT BURNER ASS .Y	01/09/1993-
078	3170240	CATCH Ø 5	01/09/1993-
079	36D3760	WELL BRACKET	01/09/1993-
080	36Q0760	"NUT 1/4""X5"	01/09/1993-
081	6001140	FLUE ASS. Y	01/09/1993-
082	35U8450	"C" BRACKET	01/09/1993-
083	3128460	WASHER	01/09/1993-