

Зип Общепит

vsezip.ru

+7(812)987-08-81



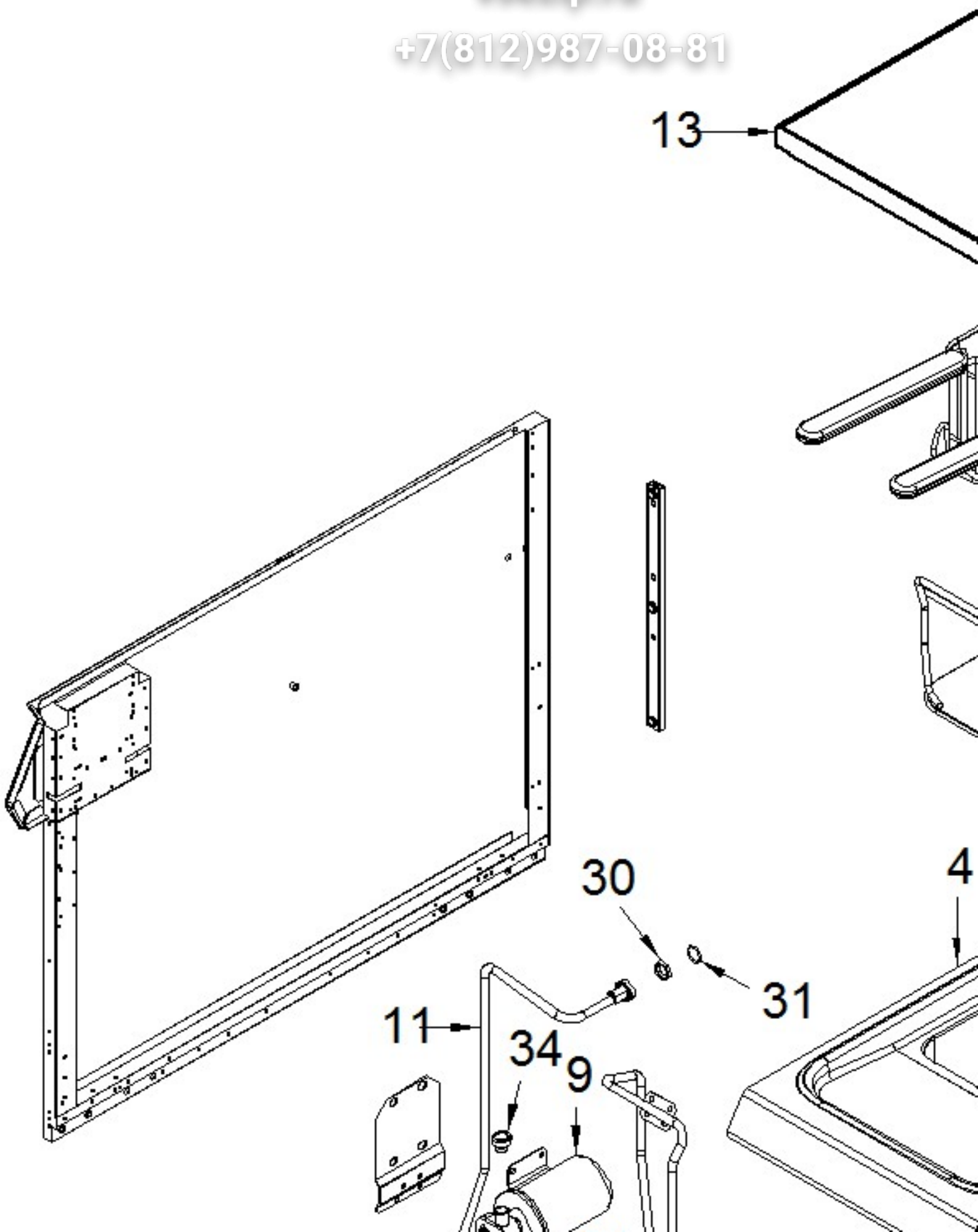
091FR7GS

Edition 20140724-

Зип Ощепит

vsezip.ru

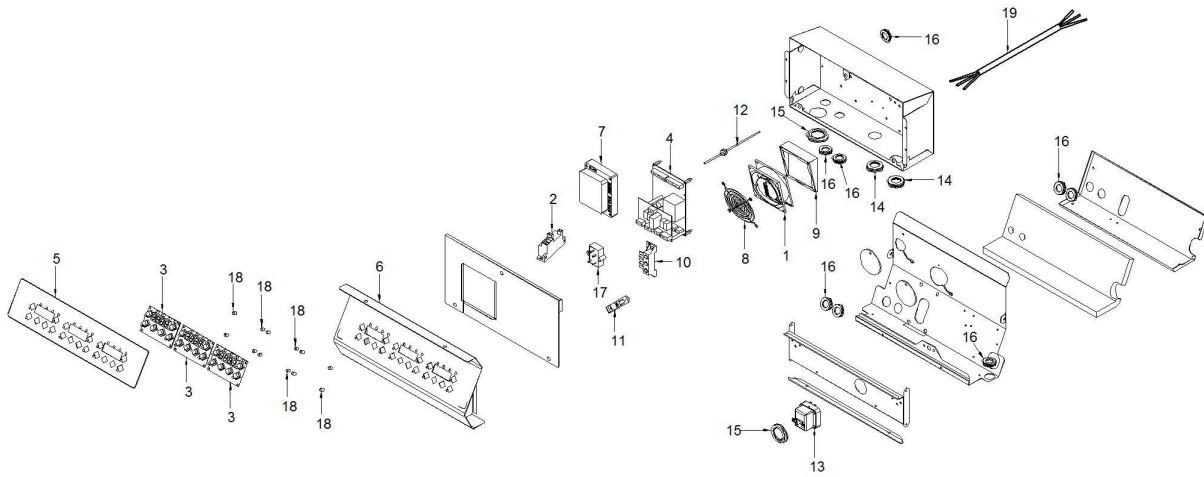
+7(812)987-08-81



Зип Общепит

vsezip.ru

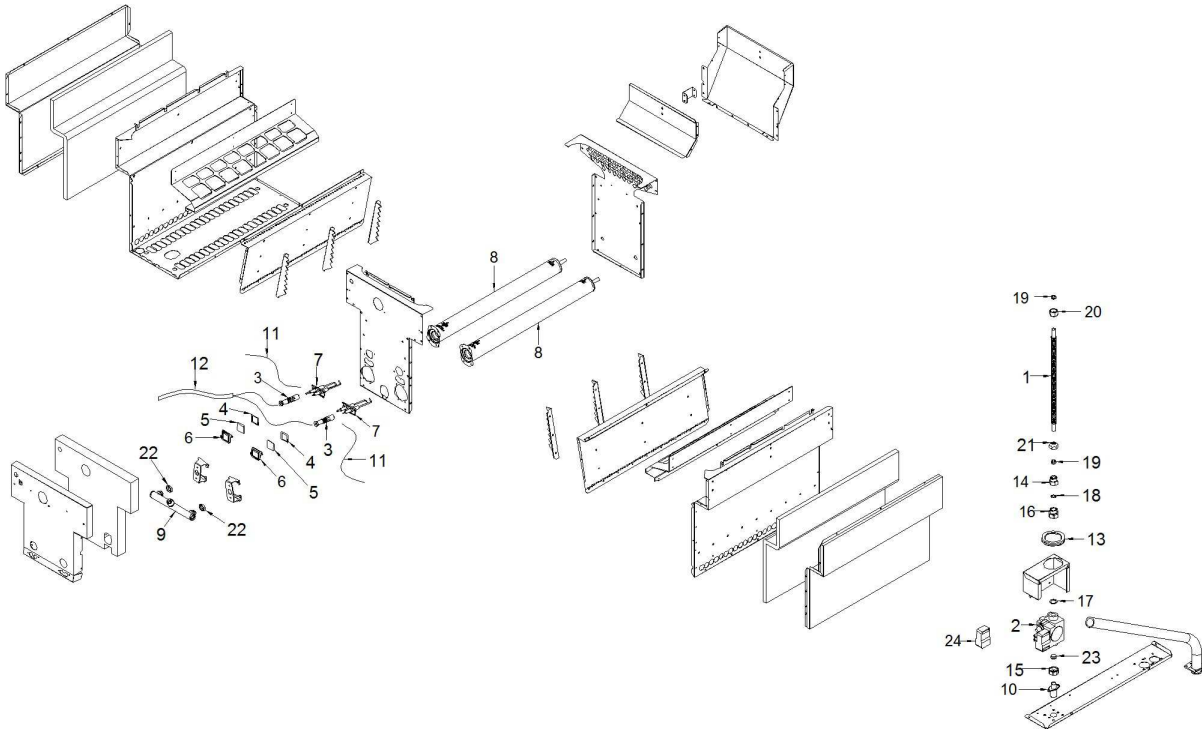
+7(812)987-08-81



Зип Общепит

vsezip.ru

+7(812)987-08-81



| Page | Pos | Code | Description | Info |
|------|-----|---------|---------------------------|-------------|
| 002 | 001 | 3010573 | HANDLE | 13/06/2013- |
| 002 | 002 | 3011000 | BUSHING | 13/06/2013- |
| 002 | 003 | 3032790 | "BICONE SCREW Ø3/8" | 13/06/2013- |
| 002 | 004 | 3249140 | TOP WELL ASS. Y | 13/06/2013- |
| 002 | 005 | 30Q1810 | EXT FLUE ASS. Y | 13/06/2013- |
| 002 | 006 | 3110050 | STEEL NUT M8X6.5 | 13/06/2013- |
| 002 | 007 | 3120050 | STEEL WASHER Ø16 Ø8.4=1.6 | 13/06/2013- |
| 002 | 008 | 3125140 | BASKET | 13/06/2013- |
| 002 | 009 | 3125100 | MOTOR PUMP | 13/06/2013- |
| 002 | 010 | 3123500 | BOTTOM PLATE | 13/06/2013- |
| 002 | 011 | 3125171 | PIPE | 13/06/2013- |
| 002 | 012 | 3126180 | EXTRACTION UNIT PIPE | 13/06/2013- |
| 002 | 013 | 3270430 | COVER | 24/07/2014- |
| 002 | 014 | 3142660 | PIVOTING CASTOR | 13/06/2013- |
| 002 | 015 | 3138300 | PROFILE OMEGA | 13/06/2013- |
| 002 | 017 | 3161740 | TROLLEY | 13/06/2013- |
| 002 | 018 | 3249660 | WELL | 09/07/2013- |
| 002 | 019 | 3161890 | FRAME | 13/06/2013- |
| 002 | 020 | 3161920 | PIPE | 13/06/2013- |
| 002 | 021 | 3150190 | O RING | 13/06/2013- |
| 002 | 022 | 33A2770 | OIL FILTER | 13/06/2013- |
| 002 | 023 | 33D1980 | COCK MF 1" | 13/06/2013- |
| 002 | 025 | 3600090 | MAGNET PLATE | 13/06/2013- |
| 002 | 026 | 36C2680 | FLUE GUARD | 13/06/2013- |
| 002 | 027 | 36M5430 | HANDLE | 13/06/2013- |
| 002 | 028 | 36Q0080 | BICONE Ø 10X6.5 | 13/06/2013- |
| 002 | 030 | 36Q1110 | LOCK NUT 3/8" | 13/06/2013- |
| 002 | 031 | 37Q1210 | "O" RING Ø 18.77" | 13/06/2013- |
| 002 | 032 | 6029880 | DOOR ASS.Y | 13/06/2013- |
| 002 | 033 | 6029110 | HINGE ASSEMBLY | 13/06/2013- |
| 002 | 034 | 3162260 | EXTENSION CORD 3/8"- 1/4" | 13/06/2013- |
| 002 | 035 | 3138310 | STAINLESS STEEL | 13/06/2013- |
| 002 | 036 | 3029350 | FOOT EXTENSION | 13/06/2013- |
| 002 | 037 | 3104440 | HANDLE | 24/07/2014- |
| 003 | 001 | 3076620 | DRIVEN FAN | 15/09/2008- |
| 003 | 002 | 3107650 | SPARK IGNITION DEVICE | 15/09/2008- |
| 003 | 003 | 6300726 | PCB | 15/09/2008- |
| 003 | 004 | 6300725 | PCB | 15/09/2008- |
| 003 | 005 | 3124022 | PLASTIC COATED PANEL | 15/09/2008- |
| 003 | 006 | 3124580 | CONTROL BOARD | 15/09/2008- |
| 003 | 007 | 3128260 | COMBUSTION CONTROL | 15/09/2008- |
| 003 | 008 | 3148060 | PROTECT GRID | 15/09/2008- |
| 003 | 009 | 3158360 | TRIM | 15/09/2008- |
| 003 | 010 | 32D0171 | TERMINAL BOARD | 15/09/2008- |
| 003 | 011 | 32D1820 | CABLE CLAMP | 15/09/2008- |
| 003 | 012 | 32V5760 | THERMAL RESISTOR, PT1000 | 15/09/2008- |
| 003 | 013 | 32V6561 | SAFETY THERMOSTAT | 15/09/2008- |
| 003 | 014 | 32X0120 | GROMMETØ 21 | 15/09/2008- |
| 003 | 015 | 32X0130 | GROMMET Ø29-Ø37 | 15/09/2008- |
| 003 | 016 | 32X0140 | GROMMET Ø13,5-Ø25 | 15/09/2008- |
| 003 | 017 | 32Z6090 | FILTER | 15/09/2008- |

| Page | Pos | Code | Description | Info |
|------|-----|---------|-----------------------------------|-------------|
| 003 | 018 | 36C0970 | SPACER | 15/09/2008- |
| 003 | 019 | 3127300 | POWER SUPPLY CABLE | 28/04/2009- |
| 004 | 001 | 3066040 | FLEXIBLE PIPE DN12 L=400 | 15/09/2008- |
| 004 | 002 | 3011580 | VALVE, SIGMA SIT. 840 | 15/09/2008- |
| 004 | 002 | 3041070 | VALVE, SIGMA SIT. 840 220V/60H | 15/09/2008- |
| 004 | 003 | 3253680 | PLUG PROTECTION | 10/09/2013- |
| 004 | 004 | 3031901 | GASKET | 15/09/2008- |
| 004 | 005 | 3070970 | SPY-HOLE | 15/09/2008- |
| 004 | 006 | 3070980 | SUPPORT GLASS | 15/09/2008- |
| 004 | 007 | 3148431 | IGNITION PLUG | 05/08/2010- |
| 004 | 008 | 3111330 | BURNER 13KW | 15/09/2008- |
| 004 | 009 | 3111350 | FILLING FUNNEL | 15/09/2008- |
| 004 | 010 | 3126190 | INTAKE UNION, GAS | 15/09/2008- |
| 004 | 011 | 3211920 | "CABLE ""HF"" 400MM" | 18/07/2013- |
| 004 | 012 | 3154280 | CABLES | 15/09/2008- |
| 004 | 013 | 32X0350 | GROMMET | 15/09/2008- |
| 004 | 014 | 33Q3140 | SLEEVE 1/2" | 15/09/2008- |
| 004 | 015 | 33Q4830 | "OGIVAL RETAINER UNION 3/4"" Ø16" | 15/09/2008- |
| 004 | 016 | 3215030 | SLEEVE F3/4 M1/2 | 14/06/2013- |
| 004 | 017 | 36E3600 | WASHER | 15/09/2008- |
| 004 | 018 | 36E3610 | WASHER | 15/09/2008- |
| 004 | 019 | 36Q0030 | BICONE Ø12X8 | 15/09/2008- |
| 004 | 020 | 36Q0050 | BICONE NUT Ø 12 | 15/09/2008- |
| 004 | 021 | 36Q0590 | CLOSING BICONE NUT Ø 12 | 15/09/2008- |
| 004 | 022 | 36Q1110 | LOCK NUT 3/8" | 15/09/2008- |
| 004 | 023 | 36Q1820 | OGIVAL GASKET, 16 | 15/09/2008- |
| 004 | 024 | 3188170 | 230V-50Hz SOLENOID VALVE COIL | 15/09/2008- |
| 004 | 024 | 3188180 | 220V-60Hz SOLENOID VALVE COIL | 15/09/2008- |