

Зип Общепит

vsezip.ru

+7(812)987-08-81



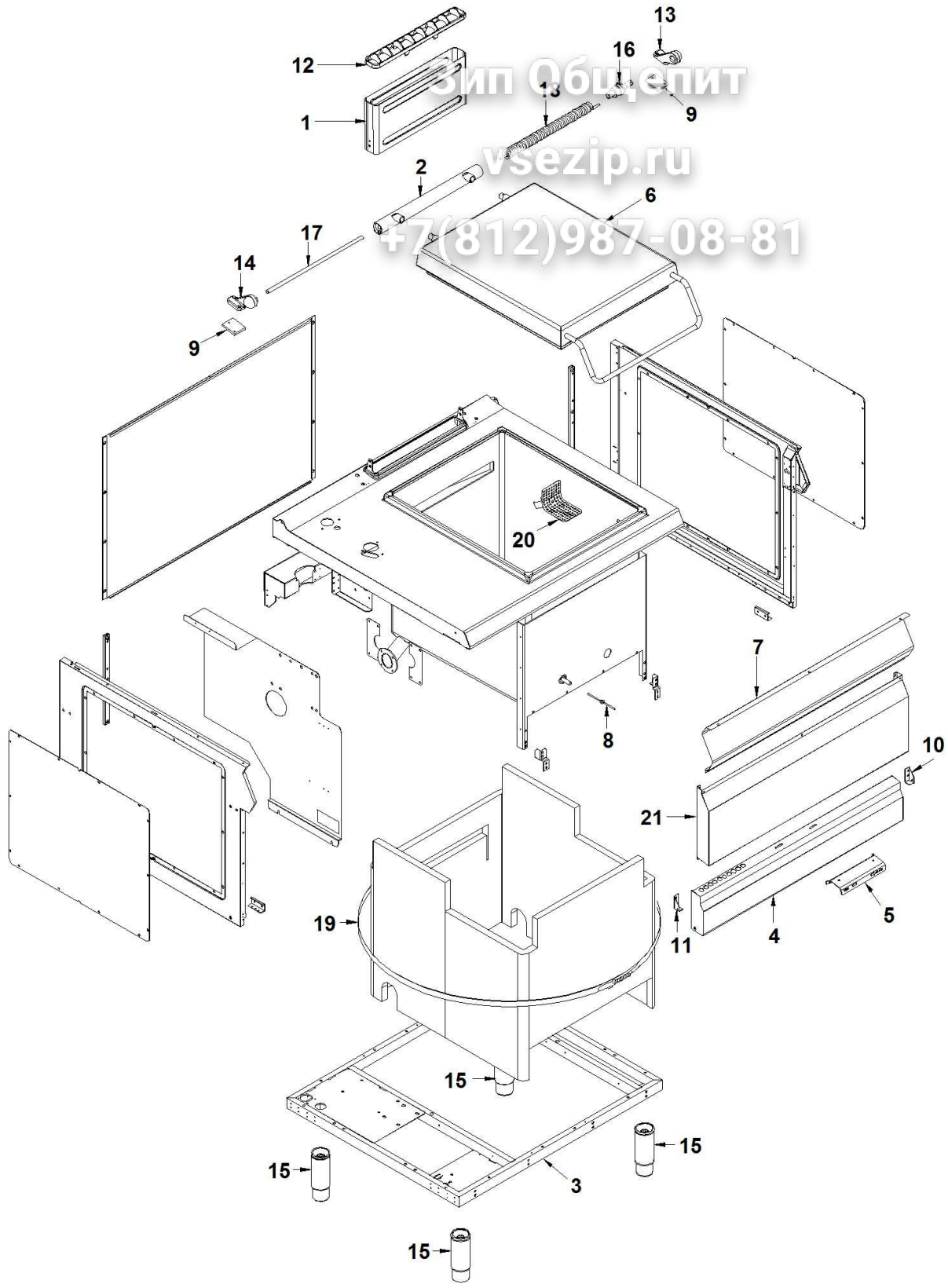
10CP1IA

Edition 20151029-

Зип Общепит

vsezip.ru

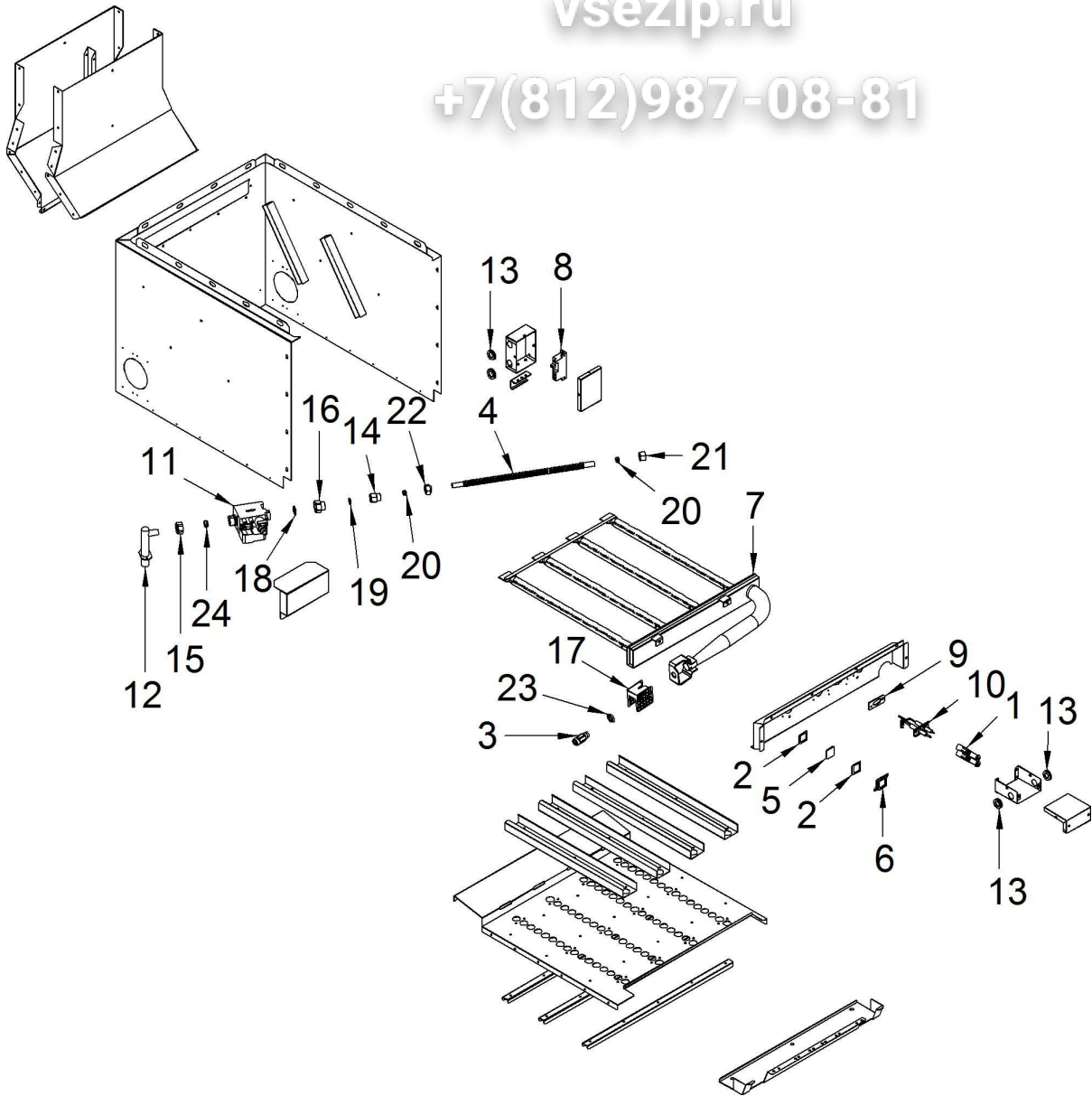
+7(812)987-08-81



Зип Общепит

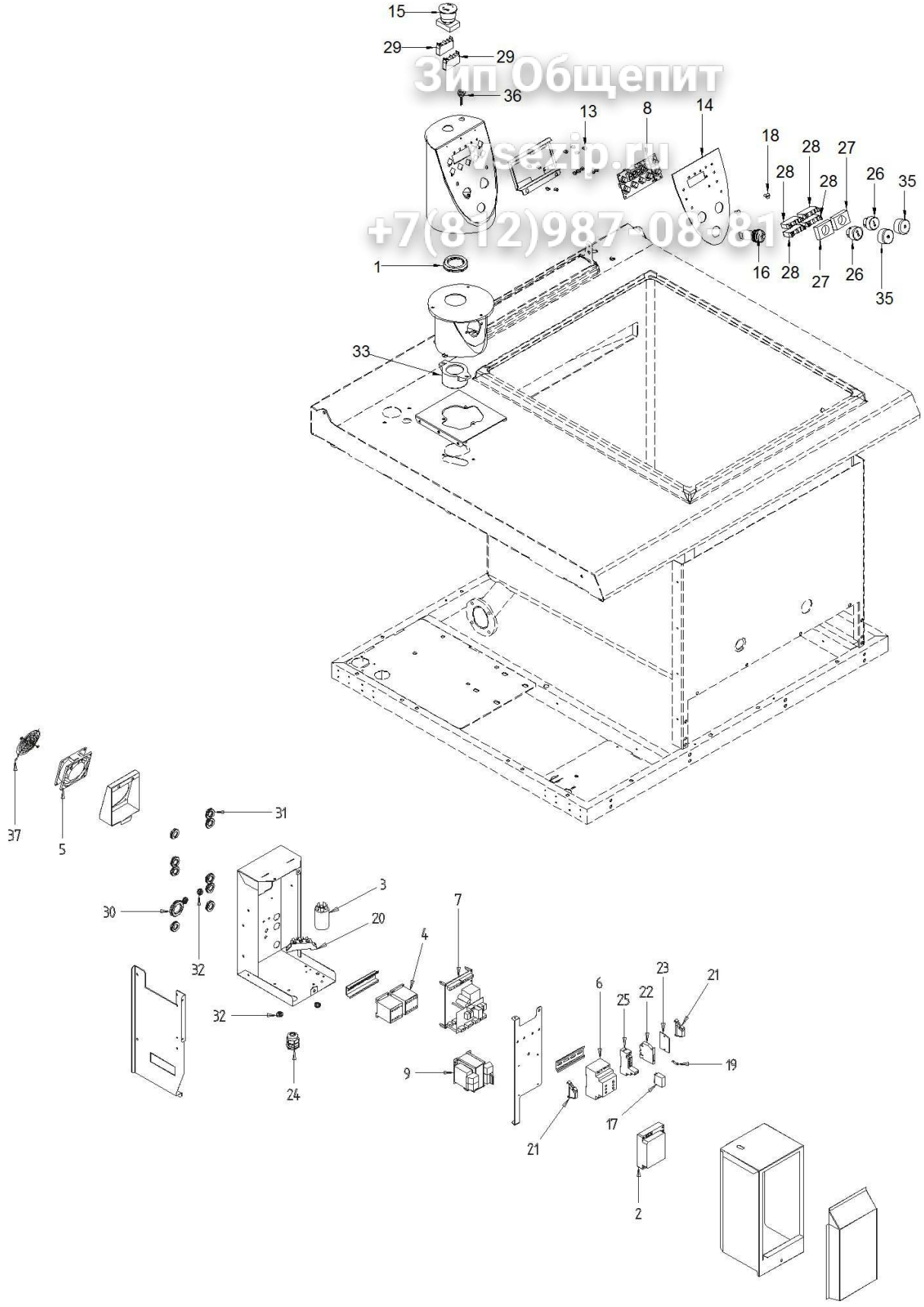
vsezip.ru

+7(812)987-08-81



Зип Общежит

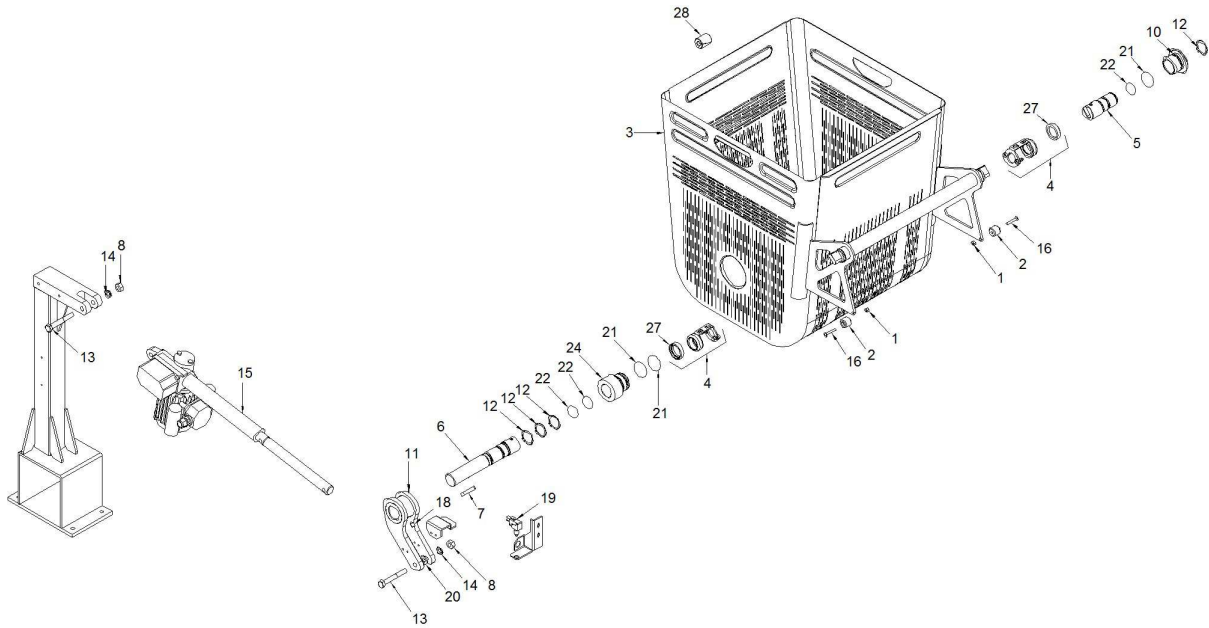
zip.ru
+7(812)987-08-81



Зип Общепит

vsezip.ru

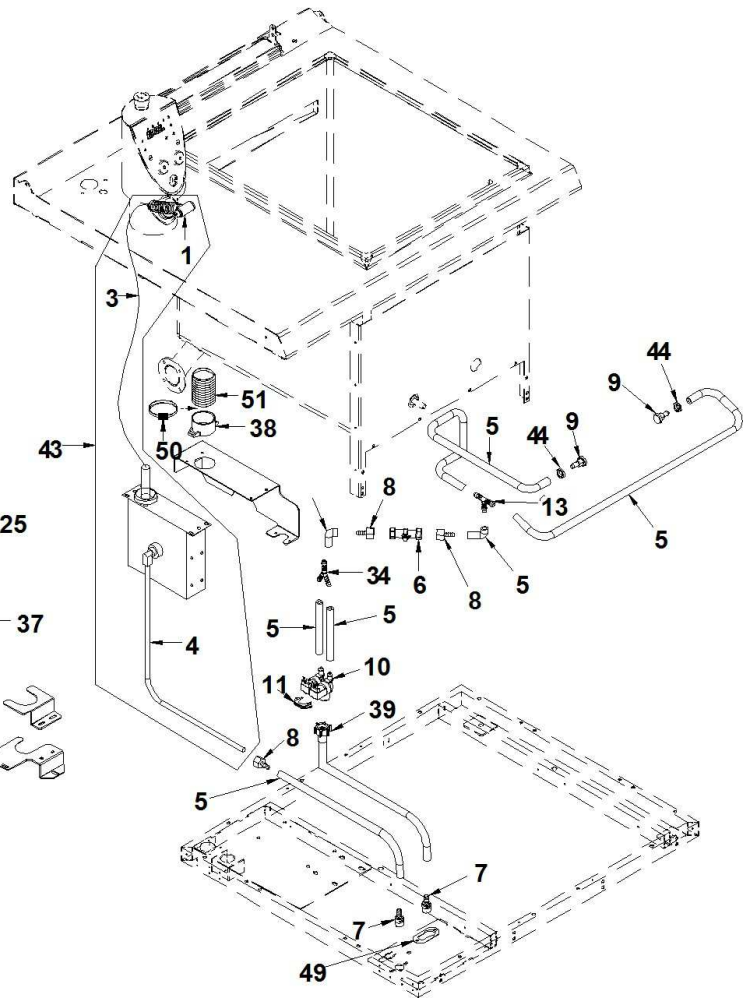
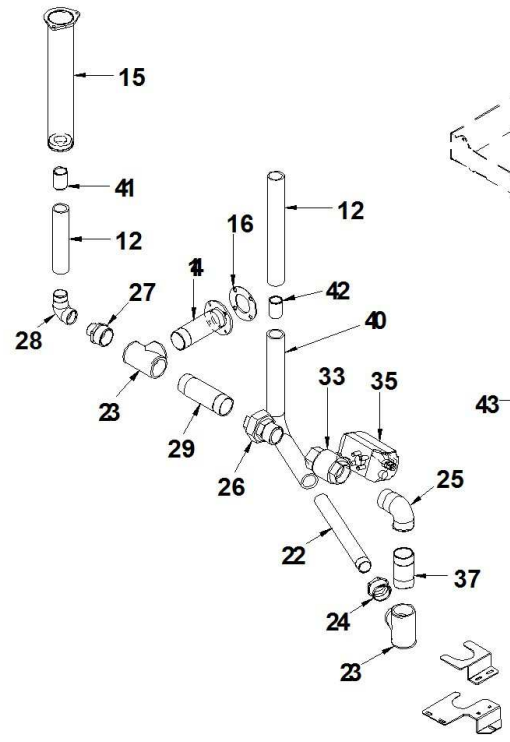
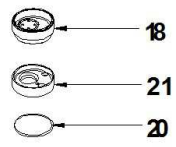
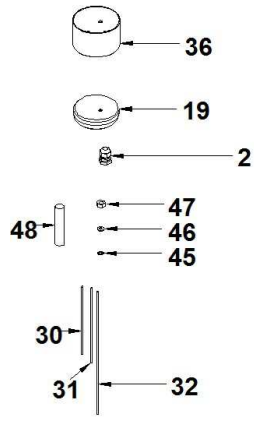
+7(812)987-08-81



Зип Ощепит

vsezip.ru

+7(812)987-08-81



Page	Pos	Code	Description	Info
002	001	30Q1800	EXT FLUE ASS. Y	10/02/2012-
002	002	3107970	COVER HINGE	10/02/2012-
002	003	3113921	BASE	10/02/2012-
002	004	3192110	LOWER FRONT PANEL	10/02/2012-
002	005	3195360	HANDLE	10/02/2012-
002	006	3121690	COVER ASSEMBLY	10/02/2012-
002	007	3192100	CONTROL PANEL	10/02/2012-
002	008	32V5750	THERMAL RESISTOR, PT1000	10/02/2012-
002	009	35R0510	FLAT BRACKET	10/02/2012-
002	010	35R3610	RIGHT-HAND HINGE	10/02/2012-
002	011	35R7260	LEFT HAND HINGE	10/02/2012-
002	012	36C1310	FLUE GUARD	10/02/2012-
002	013	3137920	RH HINGE SUPPORT	10/02/2012-
002	014	3137910	LH HINGE SUPPORT	10/02/2012-
002	015	36C2970	STAINLESS STEEL FOOT	10/02/2012-
002	016	36G8920	SPRING PIN	10/02/2012-
002	017	36H0260	HINGE SHAFT	10/02/2012-
002	018	36H0330	SPRING	10/02/2012-
002	019	36E0780	HOSE CLAMP	10/02/2012-
002	020	3158540	TANK FILTER	10/02/2012-
002	021	3192090	LOWER FRONT PANEL	10/02/2012-
003	001	3253680	PLUG PROTECTION	10/09/2013-
003	002	3031901	GASKET	10/02/2012-
003	003	3035340	NOZZLE HOUSING	10/02/2012-
003	004	3066040	FLEXIBLE PIPE DN12 L=400	10/02/2012-
003	005	3070970	SPY-HOLE	10/02/2012-
003	006	3070980	SUPPORT GLASS	10/02/2012-
003	007	3098610	BURNER 24KW	10/02/2012-
003	008	3107650	SPARK IGNITION	10/02/2012-
003	009	3139672	DEVICE GASKET	10/02/2012-
003	010	3182310	IGNITION PLUG	10/02/2012-
003	011	3187230	GAS VALVE	10/02/2012-
003	012	3187260	GAS MANIFLOID ASS. Y	10/02/2012-
003	013	32X0140	GROMMET Ø13,5-Ø25	10/02/2012-
003	014	33Q3140	SLEEVE 1/2"	10/02/2012-
003	015	33Q4830	"OGIVAL RETAINER	10/02/2012-
003	016	3215030	SLEEVE F3/4 M1/2	14/06/2013-
003	017	35V7170	NOZZLE GUARD	10/02/2012-
003	018	36E3600	WASHER	10/02/2012-
003	019	36E3610	WASHER	10/02/2012-
003	020	36Q0030	BICONE Ø12X8	10/02/2012-
003	021	36Q0050	BICONE NUT Ø 12	10/02/2012-
003	022	36Q0590	CLOSING BICONE NUT Ø 12	10/02/2012-
003	023	36Q1110	LOCK NUT 3/8"	10/02/2012-
003	024	36Q1820	OGIVAL GASKET, 16	10/02/2012-
004	001	3008020	GROMMET	10/02/2012-
004	002	3128260	COMBUSTION CONTROL	10/02/2012-
004	003	3172690	LC FILTER 250V-10A	10/02/2012-
004	004	3107470	RELAY	10/02/2012-
004	005	3205930	FAN	10/02/2012-
004	006	3115190	LIQUID ELECTONIC CONTROL	10/02/2012-

Page	Pos	Code	Description	Info
004	007	3192360	PCB	10/02/2012-
004	008	6300724	DISPLAY ELECTRONIC CARD	10/02/2012-
004	009	3117170	TRANSFORMER	10/02/2012-
004	013	3143830	SPACER	10/02/2012-
004	014	3122411	PLASTIC COATED PANEL	10/02/2012-
004	015	3122760	RED SWITCH	10/02/2012-
004	016	3123380	BUZZER	10/02/2012-
004	017	3134610	RELAY 24V 50/60Hz	10/02/2012-
004	018	31E0020	SCREW	10/02/2012-
004	019	3201540	FUSE 5X20	10/02/2012-
004	020	32D0171	TERMINAL BOARD	10/02/2012-
004	021	32D0870	TERMINAL CLAMP	10/02/2012-
004	022	32D1730	FUSE TERMINAL BOARD	10/02/2012-
004	023	32D1740	TERMINAL	10/02/2012-
004	024	32D1770	FAIRLEAD	10/02/2012-
004	025	32V6620	RELAY + SPRING PLINTH	10/02/2012-
004	026	32W3300	BLACK SWITCH	10/02/2012-
004	027	32W3310	SUPPORT BASE	10/02/2012-
004	028	32W3320	AUXILIARY CONTACT N.O.	10/02/2012-
004	029	32W3330	AUXILIARY CONTACT	10/02/2012-
004	030	32X0130	N.C. GROMMET Ø29-Ø37	10/02/2012-
004	031	32X0140	GROMMET Ø13,5-Ø25	10/02/2012-
004	032	32X0200	GROMMET Ø7.5-Ø11.5	10/02/2012-
004	033	3153631	UNION	10/02/2012-
004	035	37Q4030	HEAT. ELEM. PROTECTION	10/02/2012-
004	036	3010161	UNDER VACUUM PROBE CONNECTOR	10/02/2012-
004	037	3148060	PROTECT GRID	10/02/2012-
005	001	3114590	NUT M5	01/03/2008-
005	002	3142170	SPACER	01/03/2008-
005	003	3103430	BASKET	01/03/2008-
005	004	6300806	BASKET LOCK BRACKET ASSEMBLY	01/02/2011-
005	005	3103611	RIGHT SHAFT	19/05/2009-
005	006	3103621	LEFT SHAFT	19/05/2009-
005	007	3110780	FEATHER	01/03/2008-
005	008	3117620	STEEL NUT M10X8	01/03/2008-
005	010	3119940	BEARING	19/05/2009-
005	011	3119950	HAIRPIN	01/03/2008-
005	012	3124921	STOP RING	19/05/2009-
005	013	3124970	SCREW	01/03/2008-
005	014	3128810	STEEL WASHER Ø17.5	01/03/2008-
005	015	3143820	Ø10.5 GROWER SPEED REDUCER	17/01/2012-
005	016	3232650	SCREEW M5X30	21/02/2013-
005	018	31W0280	SCREW	01/03/2008-
005	019	32W3340	MICROSWITCH	01/03/2008-
005	020	3120080	STEEL WASHER	01/03/2008-
005	021	3124260	O RING	19/05/2009-
005	022	3124270	O RING	19/05/2009-
005	024	3148500	LEFT BEARING	19/05/2009-
005	027	3193340	BUSHING	01/02/2011-
005	028	3195700	WHEEL	26/02/2013-
006	001	3032440	WATER SPOUT F3/8"	01/03/2008-

Page	Pos	Code	Description	Info
006	002	3059590	GROMMET	01/03/2008-
006	003	3076870	FLEXIBLE PIPE MINIREEL	01/03/2008-
006	004	3114900	FLEXIBLE PIPE MG1/2" x 800	01/03/2008-
006	005	131AA12	RUBBER HOSE Ø17Ø10 X H ² O	01/03/2008-
006	006	3004170	VALVE	01/03/2008-
006	007	3017920	"NIPPLE M 1/2""	11/04/2011-
006	008	3019770	RUBBER HOLDER	01/03/2008-
006	009	3029440	WATER SPOUT	01/03/2008-
006	010	3032670	"SOLENOID VALVE 3/4"" 1IN-2OUT"	01/03/2008-
006	011	3032690	BRACKET	01/03/2008-
006	012	3067460	DRAIN PIPE (U.M.=mt)	01/03/2008-
006	014	3108520	FLANGE	01/03/2008-
006	015	3108530	PIPE	01/03/2008-
006	016	3108590	GASKET	01/03/2008-
006	018	3108621	FRAME	29/06/2012-
006	019	3108631	PLUG	29/06/2012-
006	020	3108640	O-RING 3350	01/03/2008-
006	021	3111521	BASE	29/06/2012-
006	022	3121790	DRAIN PIPE 1"	01/03/2008-
006	023	3121801	T JOINT 1"1/2	29/10/2015-
006	024	3121810	REDUCTION 1" 1/2-1"	01/03/2008-
006	025	3121830	ELBOW 1"1/2	01/03/2008-
006	026	3121850	PIPE UNION 1" 1/2"	01/03/2008-
006	027	3121870	REDUCTION 1"-1" 1/2	01/03/2008-
006	028	3229940	ELBOW 1"	02/07/2013-
006	029	3121990	PIPE 1"1/2 x142mm	01/03/2008-
006	030	3122040	MAX WATER LEVEL SENSOR	01/03/2008-
006	031	3122050	MEDIUM WATER LEVEL SENSOR	01/03/2008-
006	032	3122060	MIN WATER LEVEL SENSOR	01/03/2008-
006	033	3123360	COCK 1" 1/2"	01/03/2008-
006	034	3124960	"Y" JOINT 1"1/2	01/03/2008-
006	035	3126950	MOTOR F04 230V 35S OM S/R	01/03/2008-
006	036	3134690	INOX BONNET	01/03/2008-
006	037	3139630	PIPE 1 1/2" x 90mm	01/03/2008-
006	038	3153631	UNION	14/11/2011-
006	039	33M0350	PIPE	01/03/2008-
006	040	33M0800	PIPE	01/03/2008-
006	041	35X3830	DRAIN PIPE	01/03/2008-
006	042	35Z3490	SPACER PIPE	01/03/2008-
006	043	36E3461		30/09/2011-
006	044	36Q1110	LOCK NUT 3/8"	01/03/2008-
006	045	3120090	WASHER Ø7.3 Ø4.3 GROWER	15/09/2009-
006	046	3120100	WASHER	15/09/2009-
006	047	3110120	M4 inox Plated nut	15/09/2009-
006	048	3168500	METALLIC HOSE 1220mm	15/09/2009-
006	049	3198720	BASE	11/04/2011-
006	050	3167880	BAND CLAMP Ø52	30/09/2011-
006	051	3152970	PIPE	30/09/2011-