

Зип Общепит

vsezip.ru

+7(812)987-08-81



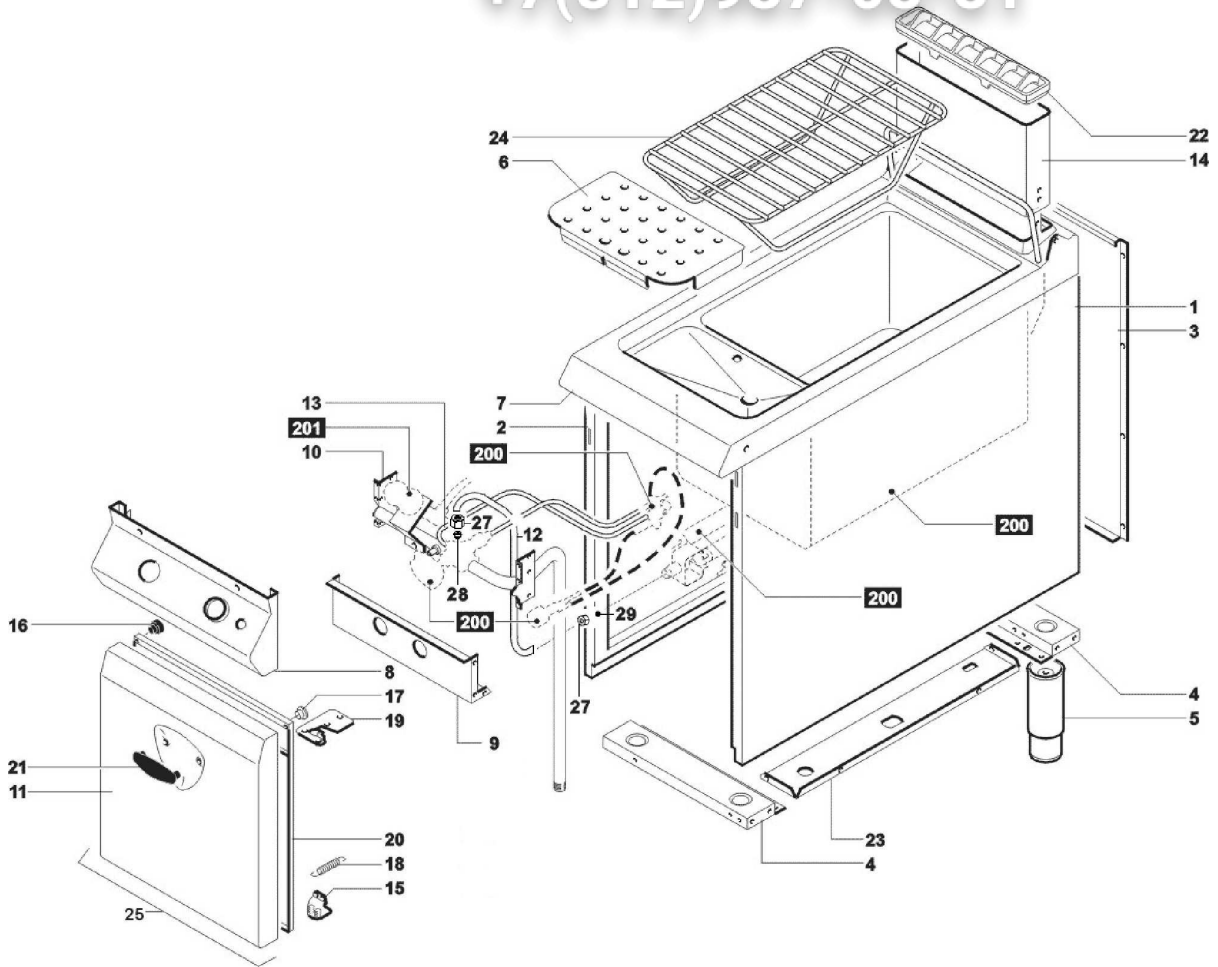
0A1CP1G

Edition 20140617-

Зип Ощепит

vsezip.ru

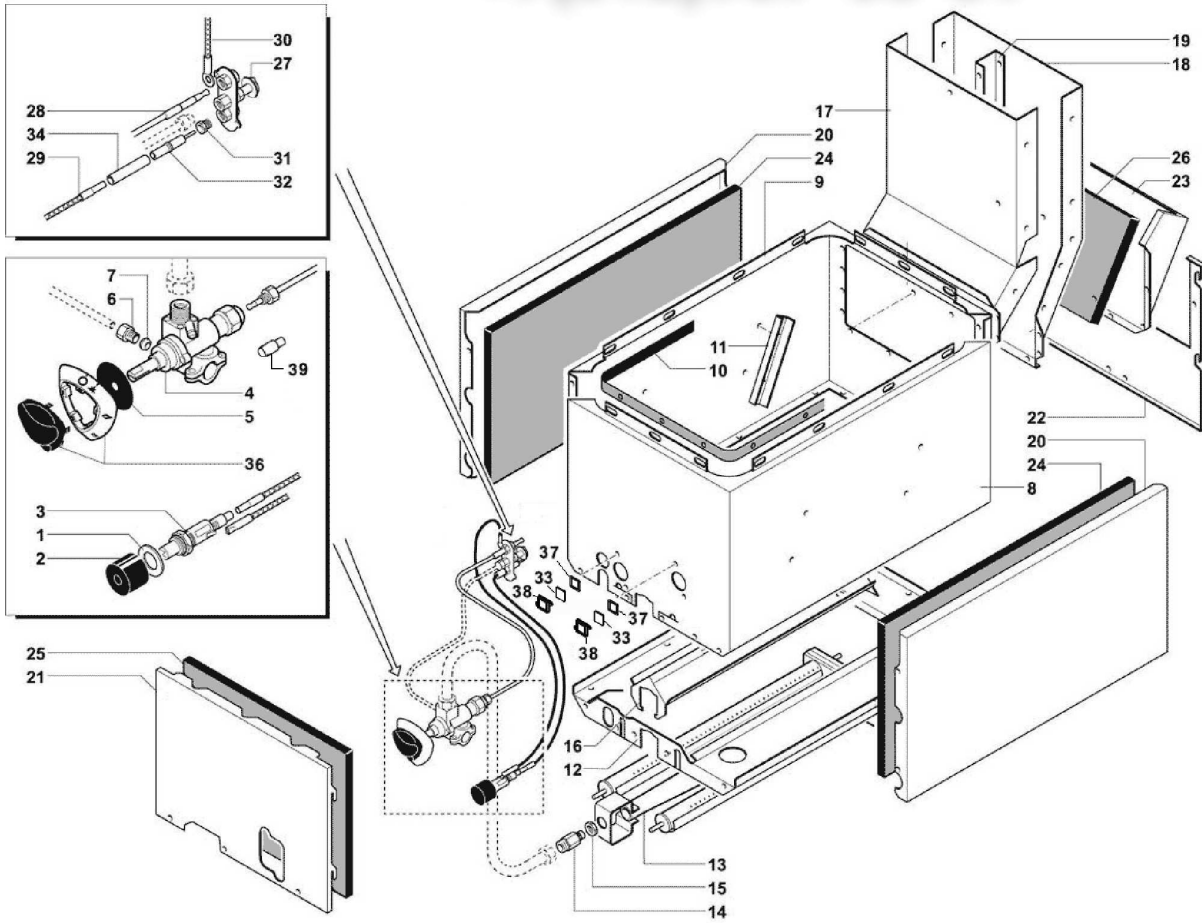
+7(812)987-08-81



Зип Ощепит

vsezip.ru

+7(812)987-08-81



Page	Pos	Code	Description	Unit
002	001	30A4900	RH PANEL	11/03/2002-
002	002	30A4890	LH PANEL	11/03/2002-
002	003	35A1582	REAR PANEL 400	08/04/2012-
002	004	35R1451	OMEGA FRAME	04/07/2000-
002	005	36C2970	STAINLESS STEEL FOOT	01/02/1999-
002	006	35M9431	FALSE BOTTOM ASS. Y	17/06/2014-
002	007	6300539	TOP WELL ASS. Y 0A1CP1G	13/11/2001-
002	008	35A3031	UPPER CONTROL BOARD	01/06/2002-
002	009	35A2220	PANEL HORIZONTAL	01/02/1999-
002	010	3003680	GAS MANIFOLD	24/04/2003-
002	011	35G8650	DOOR	29/04/1999-
002	012	3014330	FLEXIBLE PIPE DN10 L=600	13/12/2005-
002	013	35X4140	PILOT LIGHT PIPE	01/02/1999-
002	014	30Q1810	EXT FLUE ASS. Y	30/10/2002-
002	015	36M3220	RH LOWER HINGE ASS. Y	01/02/1999-
002	016	36D6860	FOOT	01/02/1999-
002	018	36G5240	SPRING	01/02/1999-
002	019	36M3210	RH UPPER HINGE	01/02/1999-
002	020	35G8670	RH COUNTER DOOR	29/04/1999-
002	021	36M3400	HANDLE	01/02/1999-
002	022	36C2680	FLUE GUARD	01/02/1999-
002	023	35R1480	CROSS MEMBER	01/02/1999-
002	024	36A4631	BOTTOM NET	01/06/2002-
002	025	6010320	DOOR ASS.Y RIGHT	01/02/1999-
002	026	3188680	METALLIC HOSE (M.U.=MT)	13/12/2010-
002	027	36Q0610	BICONE SCREW Ø10	13/12/2005-
002	028	36Q0080	BICONE Ø 10X6.5	13/12/2005-
002	029	36Q1700	BICONE Ø10Ø12X14	13/12/2005-
002	200	M000240	M.CONB.CHAMBER COMPL."C	01/02/1999-
002	201	M000260	M.WATER-DRAIN	01/02/1999-
003	001	3191100	WASHER Ø31 Ø18,3=2	01/02/1999-
003	002	37Q2100	HEAT. ELEM. PROTECTION	01/02/1999-
003	003	3166990	PIEZO IGNITION	13/07/2010-
003	004	33D1991	GAS CONTROL	29/02/2000-
003	005	3152250	GAS VALVE GUARD Ø 50	01/02/1999-
003	006	36Q1000	CLOSING BICONE NUT Ø4	01/02/1999-
003	007	36Q1040	BICONE Ø4	01/02/1999-
003	008	35D9250	RH FRONT COMBUST. CHAMBER	01/02/1999-
003	009	35D9260	LH REAR COMBUST.	01/02/1999-
003	010	157AA01	CHAMBER GASKET	07/09/1999-
003	011	35R0400	"U" BRACKET	01/02/1999-
003	012	35D9290	COMBUST. CHAMBER BOTTOM	01/02/1999-
003	013	34A0350	PASTA COOKER BURNER	01/02/1999-
003	014	3035340	NOZZLE HOUSING	24/07/2006-
003	015	36Q1110	LOCK NUT 3/8"	01/02/1999-
003	016	35Q9760	BAFFLE	01/02/1999-
003	017	35D9330	HALF FLUE FRONT PLATE	01/02/1999-
003	018	35D9340	HALF FLUE REAR PLATE	01/02/1999-
003	019	35E0200	SPACER	01/02/1999-
003	020	35D9780	INSULATION PANEL COVER	01/02/1999-
003	021	35D9800	INSULATION PANEL COVER	01/02/1999-

Page	Pos	Code	Description	Unit
003	022	35D9410	INSULATION PANEL COVER	01/02/1999-
003	023	35D9400	INSULATION PANEL COVER	01/02/1999-
003	024	37Q2190	INSULATING PANEL	01/02/1999-
003	025	37Q2230	INSULATING PANEL	01/02/1999-
003	026	37Q2300	INSULATING PANEL	01/02/1999-
003	027	33A0880	PILOT BURNER BODY	01/02/1999-
003	028	33A0680	THERMOCOUPLE M8X1X600	01/06/2001-
003	029	32A2550	"CABLE ""HF"" 900MM"	01/02/1999-
003	030	32A2530	CABLE 900MM	01/02/1999-
003	031	36Q1050	PIEZO IGN. CONNECTOR	01/02/1999-
003	032	32T0190	IGNITION PLUG	01/02/1999-
003	033	3070970	SPY-HOLE	01/02/2006-
003	034	131AA46	HOSE 8'X40	01/02/1999-
003	036	6300489	GAS CONTROL ASS.Y	01/02/1999-
003	037	3031901	GASKET	01/02/2006-
003	038	3070980	SUPPORT GLASS	01/02/2006-
003	039	32Z1460	VALVE MAGNET	01/02/1999-
004	001	35Q7830	FILTER	02/01/1999-
004	002	35S5900	FILTER SUPPORT	02/01/1999-
004	003	3003441	WATER SPOUT	02/04/2013-
004	004	37Q1210	"O" RING Ø 18.77"	01/02/1999-
004	005	36Q1110	LOCK NUT 3/8"	01/02/1999-
004	006	33D1980	COCK MF 1"	01/02/1999-
004	008	6300729	COCK ASSEMBLY	28/01/2009-
004	009	3162200	RED RING KNOB	28/01/2009-
004	010	35X3830	DRAIN PIPE	01/02/1999-
004	011	33Q3510	NIPPLE M 1"G	01/02/1999-
004	012	33M0800	PIPE	01/02/1999-
004	013	3140300	HOSE CLAMP	01/02/1999-
004	014	3003600	PIPE	24/04/2003-
004	017	3003610	WATER PIPE	24/04/2003-
004	020	36Q0140	BICONE NUT Ø 10	24/04/2003-
004	021	36Q0080	BICONE Ø 10X6.5	24/04/2003-
004	022	3029350	EXTENSION	01/02/1999-