

Зип Общепит

vsezip.ru

+7(812)987-08-81



KD40

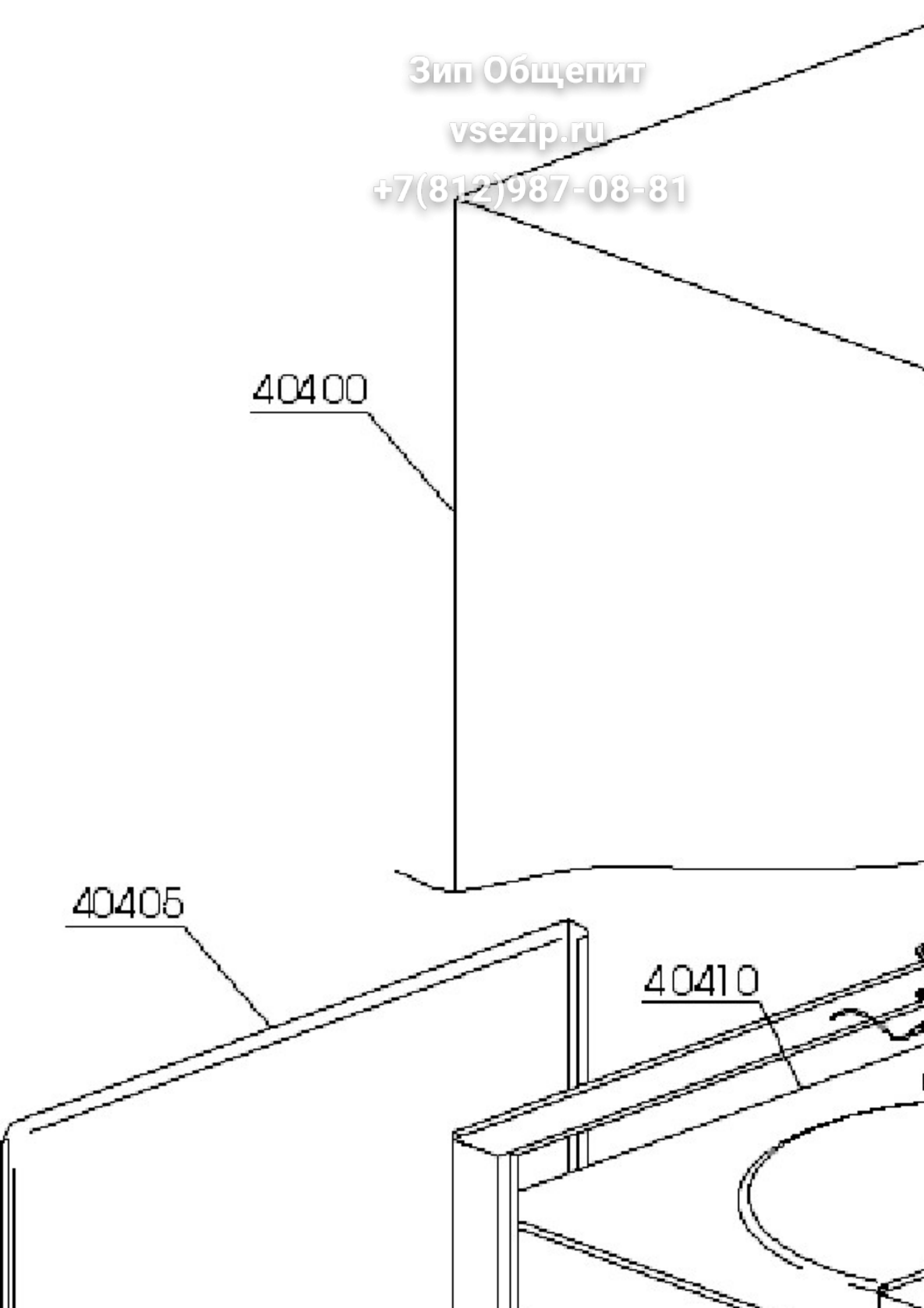
Edition 20080101-

Зип Общепит

vsezip.ru

+7(812)987-08-81

40400



The image shows a technical drawing of a table. A vertical line representing a leg is labeled with the number 40400. A horizontal line representing the table top is labeled with the number 40405. A detail of the table top edge is shown in the bottom right, with a callout line pointing to the edge labeled with the number 40410. The drawing is a simple line drawing with no shading or color.

40405

40410

Зип Общепит

vsezip.ru

+7(812)987-08-81

40165

A technical drawing of a metal rod with a hexagonal end, connected to a larger structure. The rod is shown in perspective, extending from the bottom right towards the top left. The hexagonal end is on the left, and the rod tapers slightly towards the right. A line connects the bottom of the rod to the text '40165'.

4500

Зип Общепит

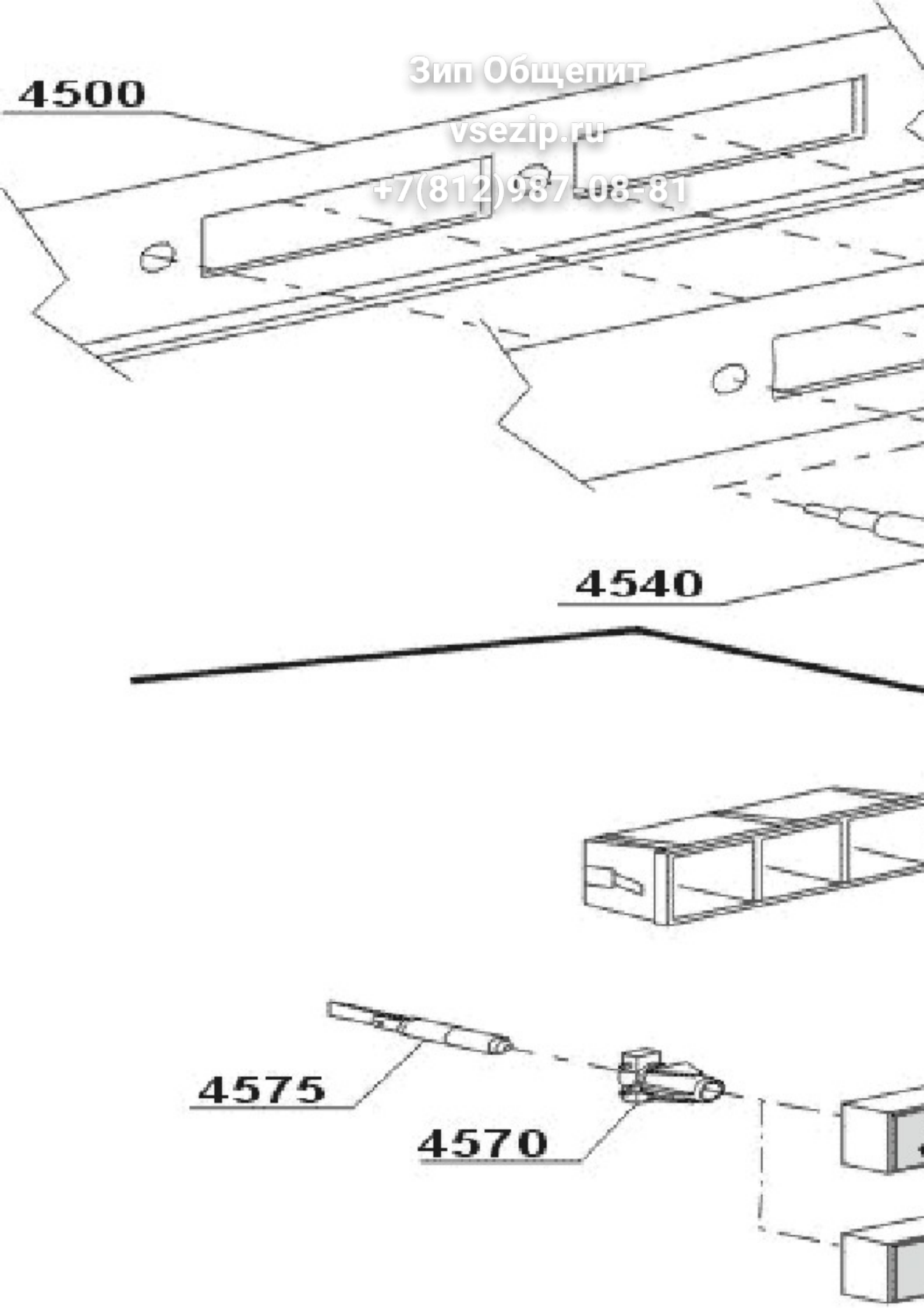
vsezip.ru

+7(812)987-08-81

4540

4575

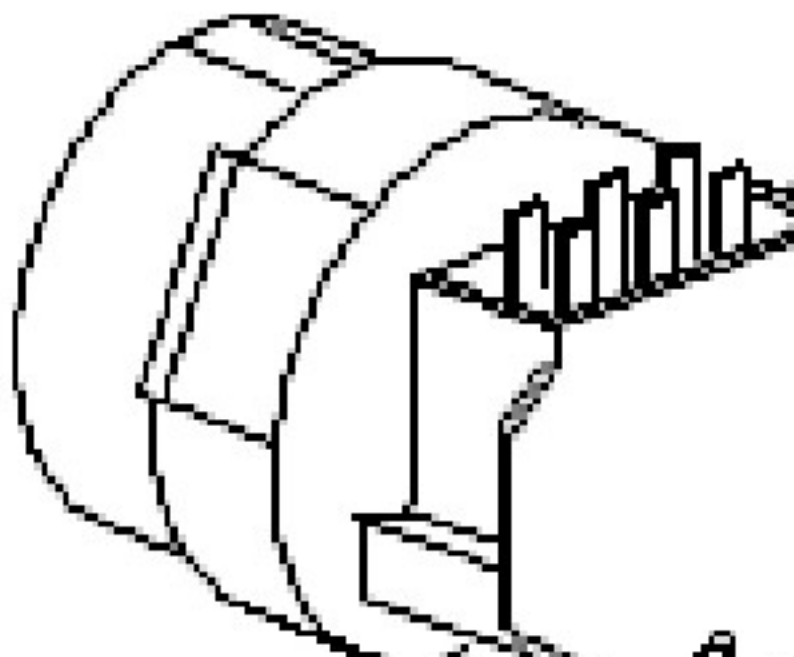
4570



Зип Общепит

vsezip.ru

+7(812)987-08-81



Зип Общепит

vsezip.ru

+7(812)987-08-81

720



725

Зип Общепит

vsezip.ru

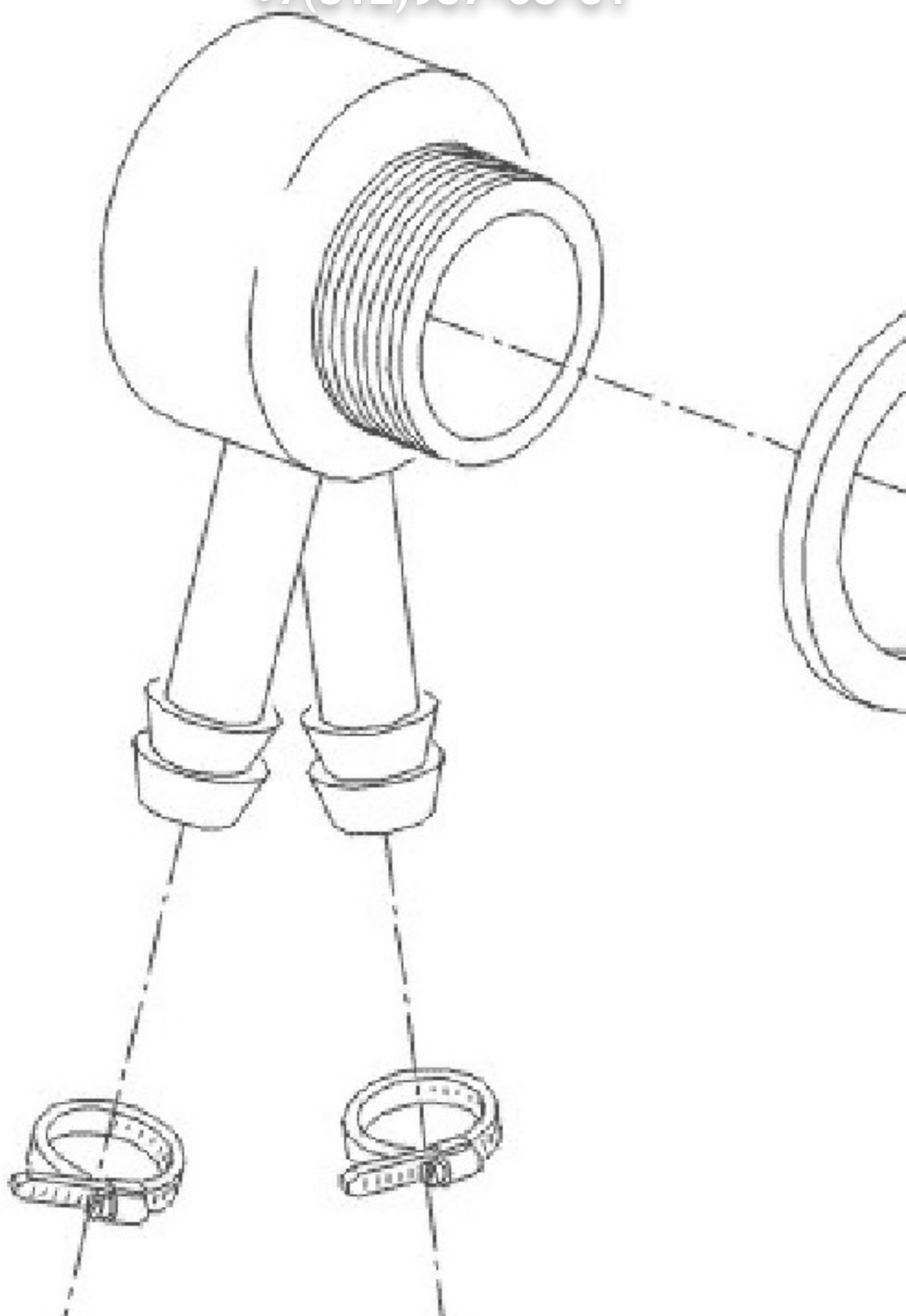
+7(812)987-08-81

820

Зип Общепит

vsezip.ru

+7(812)987-08-81



Зип Общепит

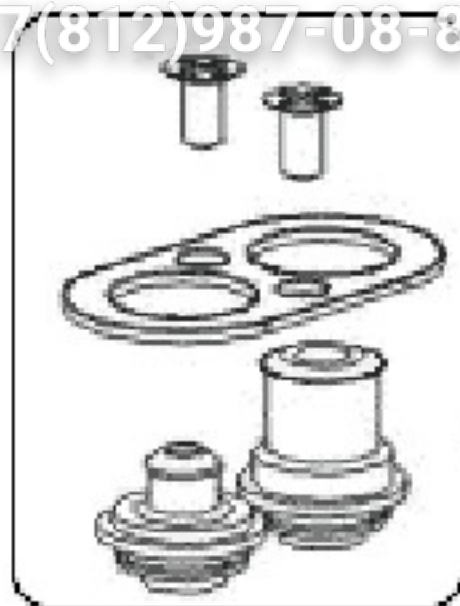
vsezip.ru

+7(812)987-08-81

Rif.



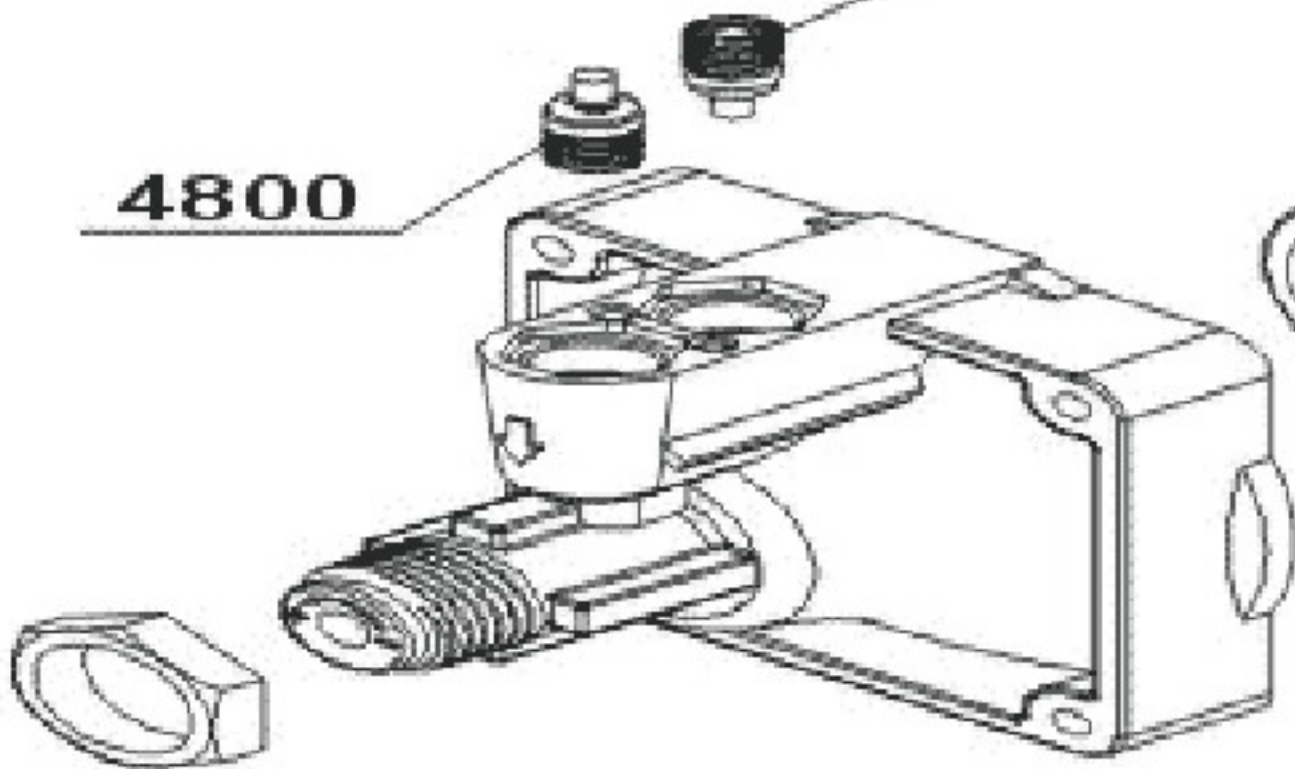
NI



4850

4800

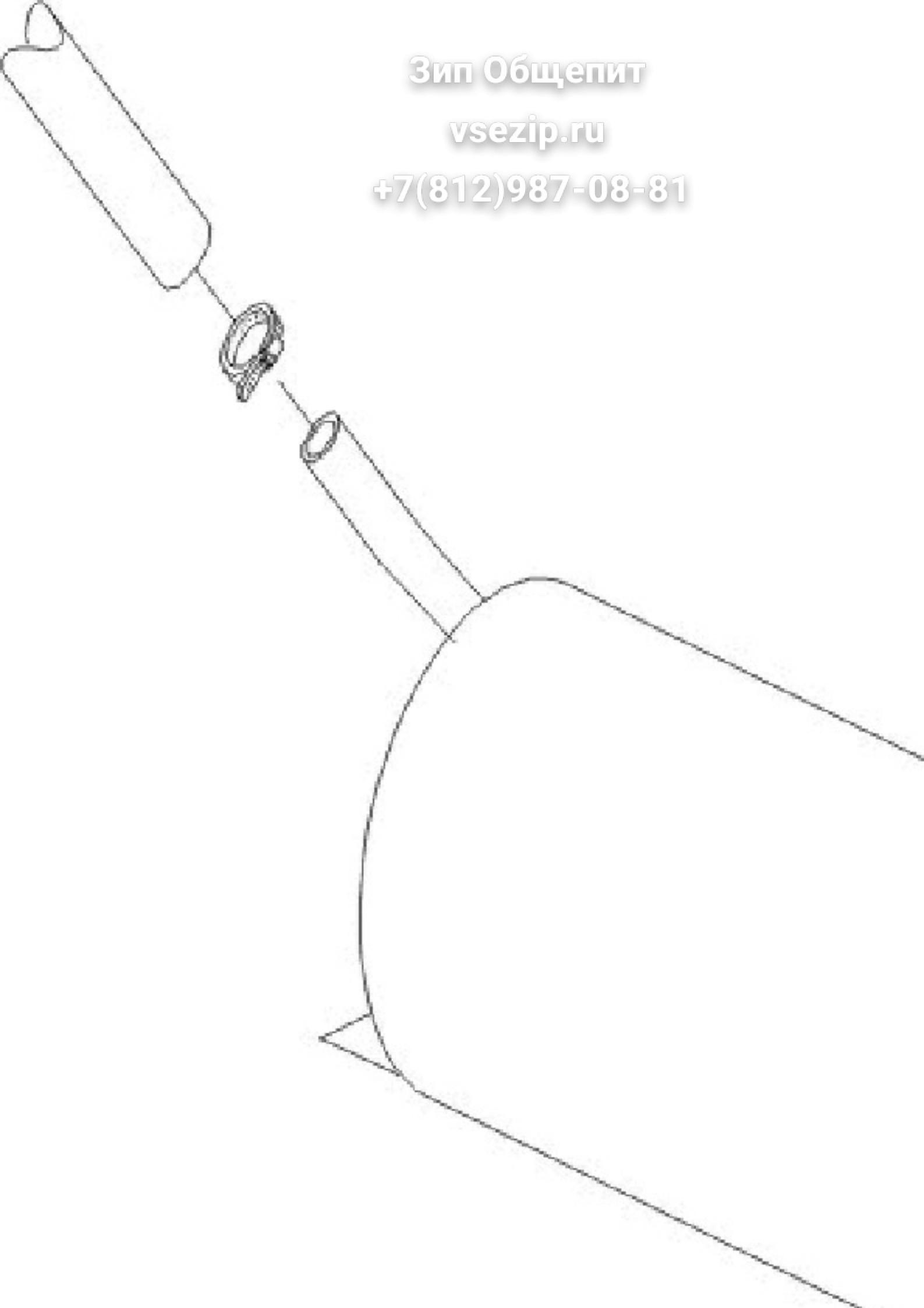
4800



Зип Общепит

vsezip.ru

+7(812)987-08-81



Зип Общепит

vsezip.ru

+7(812)987-08-81

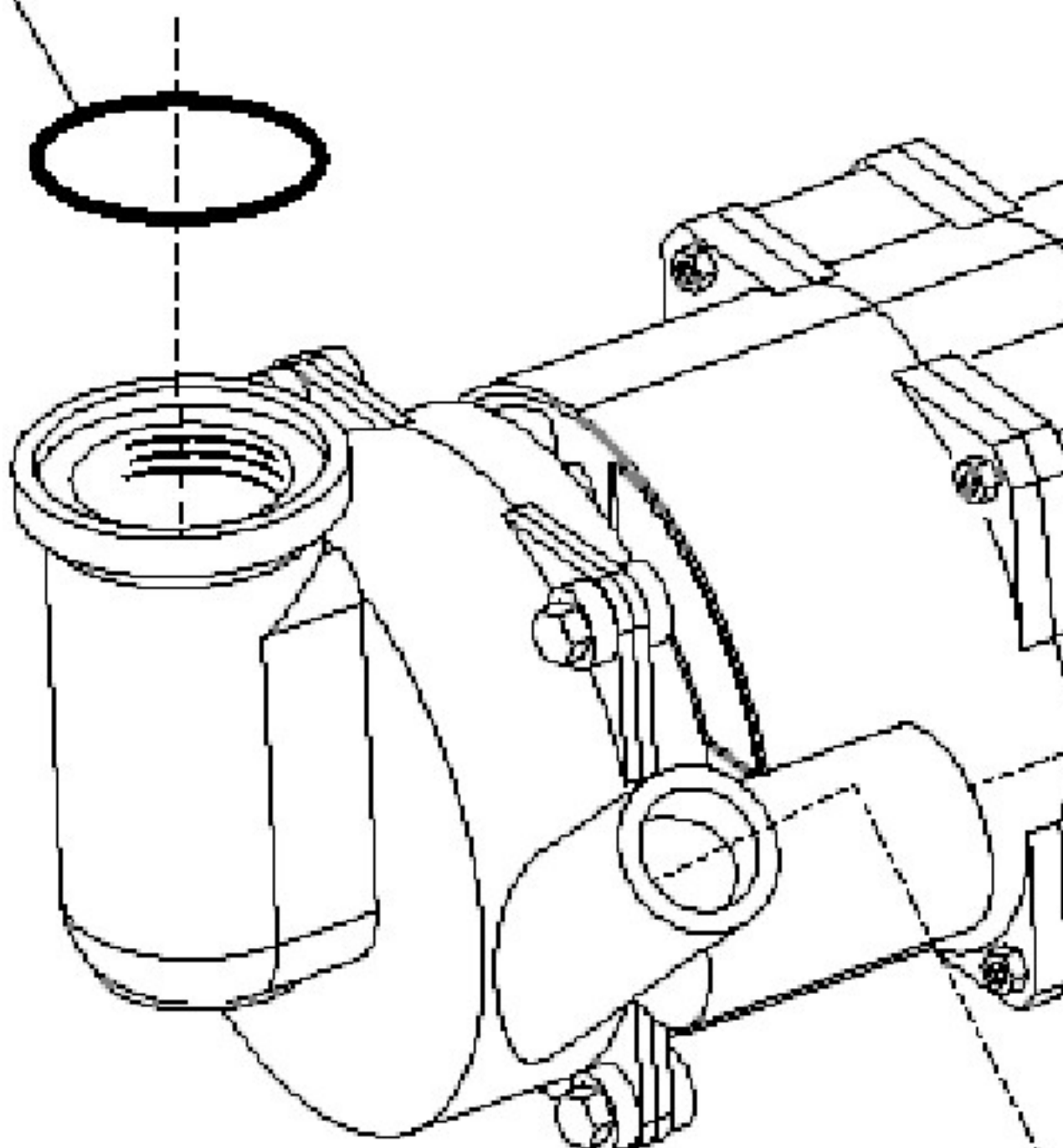
Зип Общепит

vsezip.ru

+7(812)987-08-81

12605

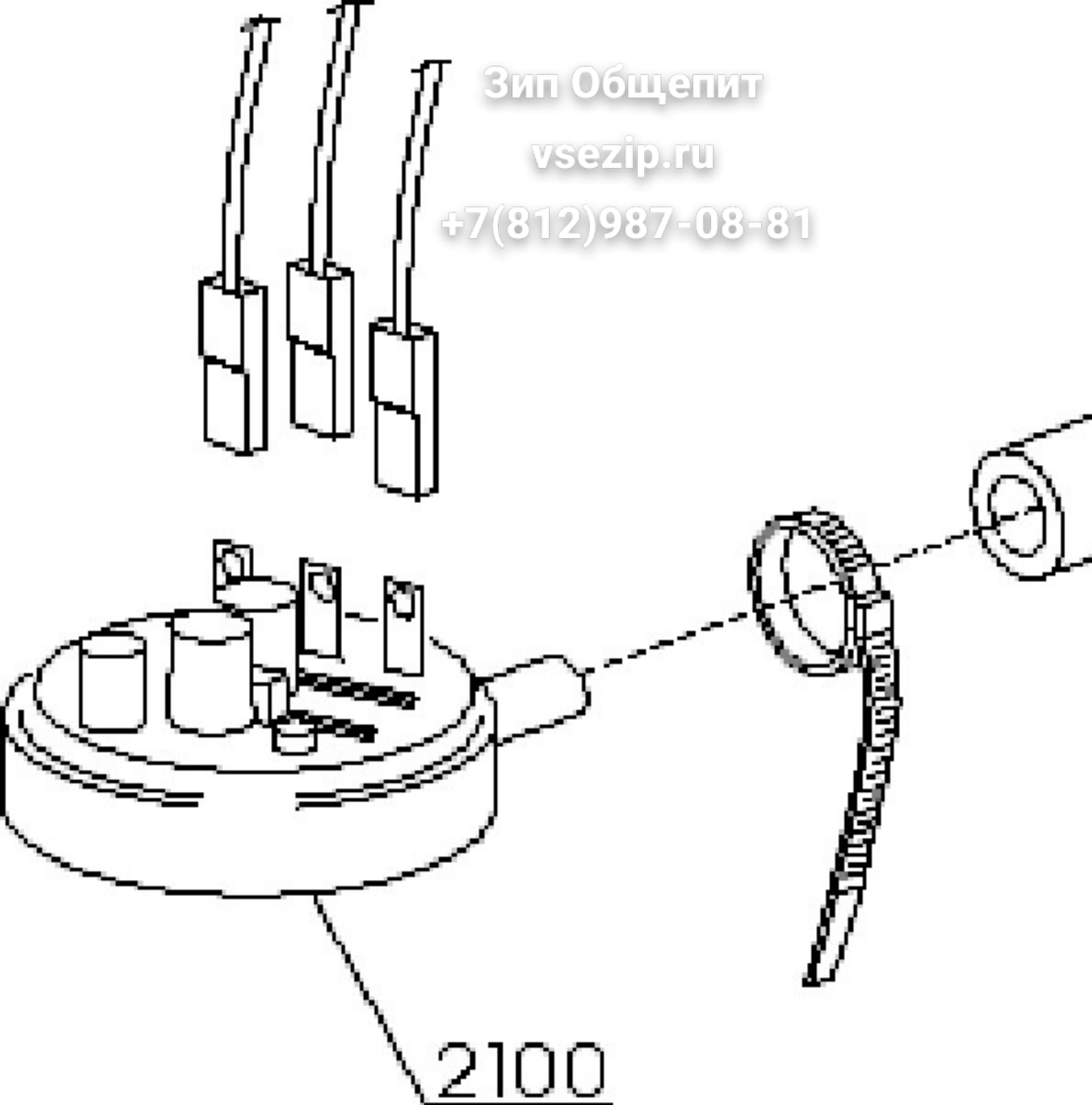
12660



Зип Общепит

vsezip.ru

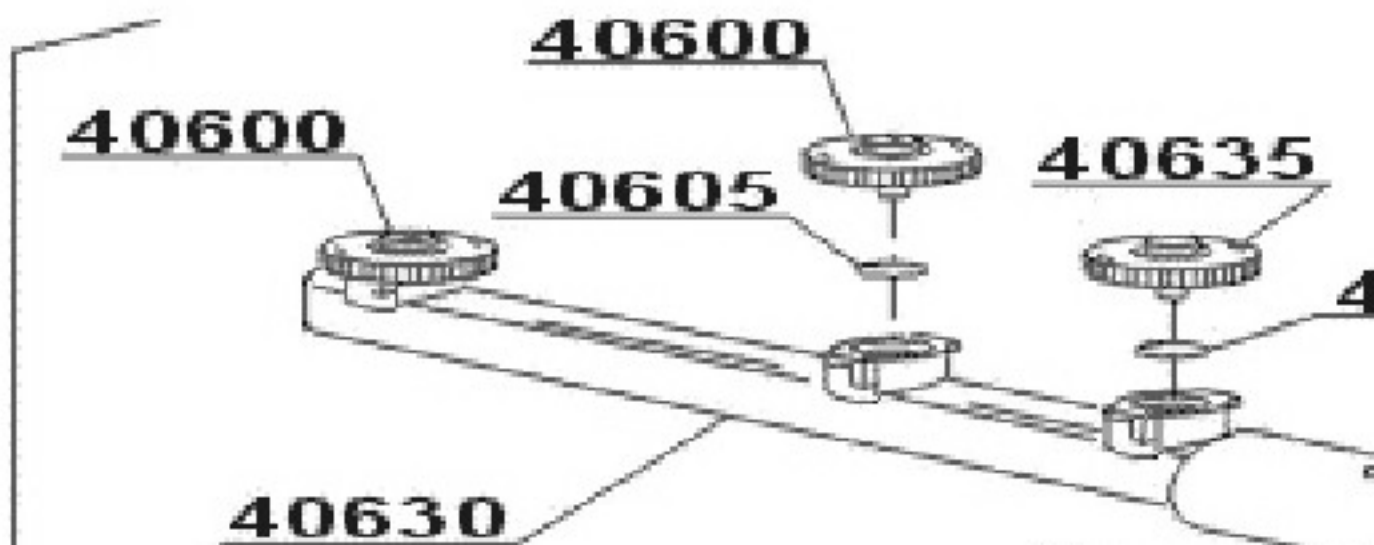
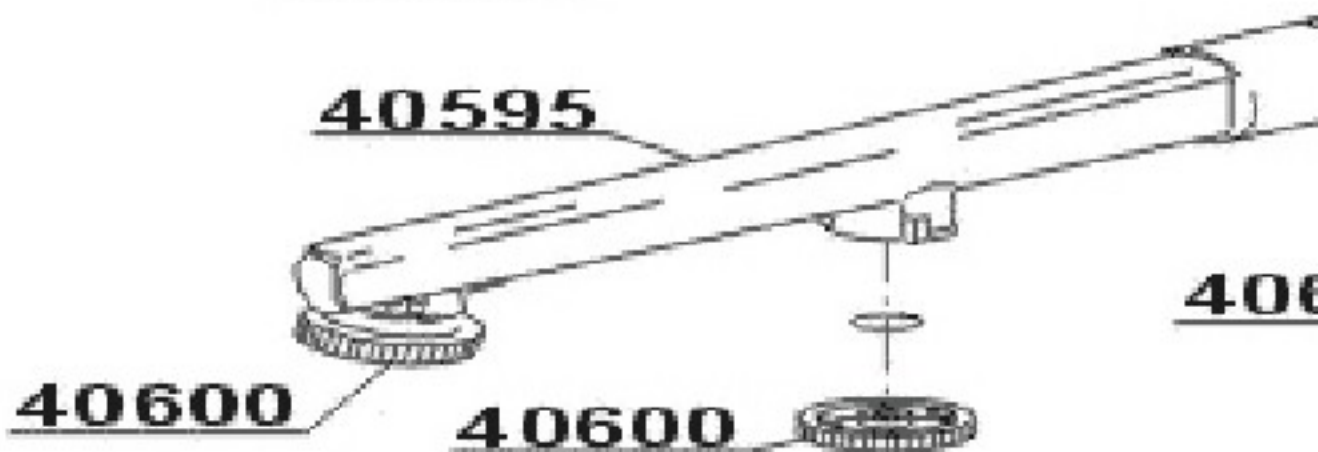
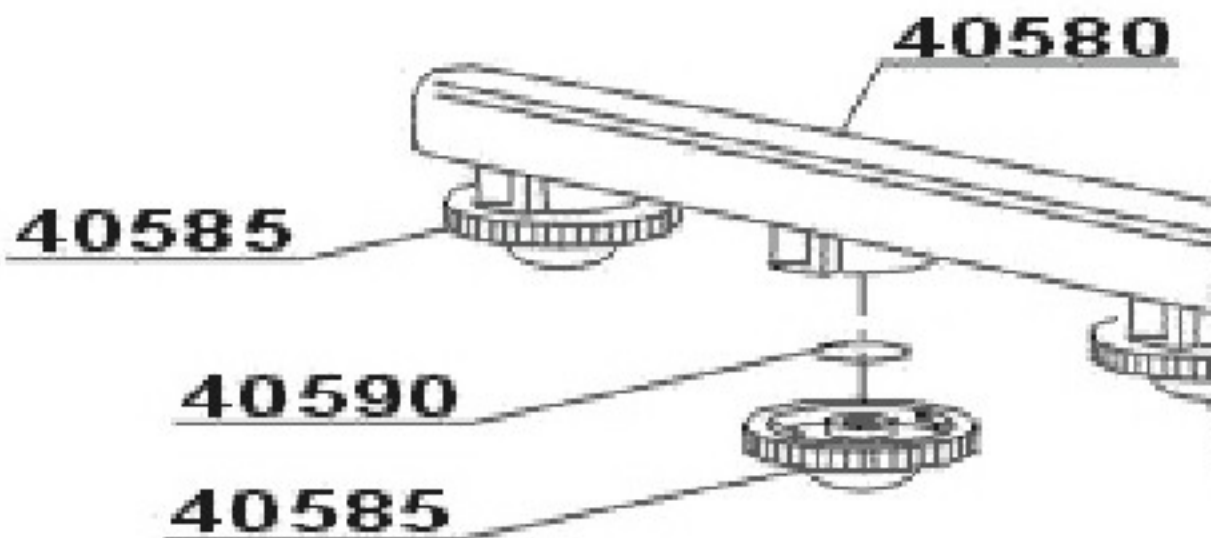
+7(812)987-08-81



Зип Общепит

vsezip.ru

+7(812)987-08-81



Зип Общепит

vsezip.ru

+7(812)987-08-81

Page	Pos	Code	Description	Info
002	40400	KD40-Pos.40400	Cover	01/10/2003-
002	40405	KD40-Pos.40405	Back panel	01/10/2003-
002	40410	KD40-Pos.40410	Body	01/10/2003-
002	40415	32D1850	Cable-fastener with screw	01/10/2003-
002	40420	3081980	4137 OR 140 NBR O-ring	01/11/2004-
002	40425	3030150	Drain elbow	01/10/2003-
002	40430	KD40-Pos.40430	3x2,5x2500 cable	01/10/2003-
002	40435	3095690	Foot	01/10/2003-
002	40440	KD40-Pos.40440	Foot support	01/10/2003-
002	40455	3030180	1850W-230V/2020W-240V heating	01/10/2003-
002	40460	3081980	4137 OR 140 NBR O-ring	01/11/2004-
002	40465	3043990	Top filter body 04	01/11/2004-
002	40470	3030130	Filter for top body	01/10/2003-
002	40475	3066480	Drain pump stainless steel nut	01/10/2003-
002	40480	3030140	Drain pump stainless steel filter	01/10/2003-
002	40490	3018870	Overflow pipe	01/10/2003-
002	40495	3030110	Door gasket	01/10/2003-
002	40500	3030100	Door jack assembly	01/10/2003-
002	40505	3039180	Door jack gasket	01/10/2003-
002	40510	3030750	Door rod slide	01/10/2003-
002	40515	KD40-Pos.40515	O40mm fairlead	01/10/2003-
002	40520	KD40-Pos.40520	O13mm fairlead	01/10/2003-
002	40525	KD40-Pos.40525	Stainless steell base	01/10/2003-
002	40530	3108020	Door O-ring angular	01/11/2004-
002	40535	3108030	Straight floor drain	01/11/2004-
002	40540	33M1660	Drain pipe	01/10/2003-
003	40160	3061450	Door	01/03/2005-
003	40165	3081390	Left/right door rod	01/03/2005-
003	40170	3081400	Hinge door rod	01/03/2005-
003	40175	KD40-Pos.40175	Stainless steel handle	01/10/2003-
003	40180	3030190	Door jack	01/10/2003-
003	40185	3039160	Bush	01/10/2003-
003	40190	3081420	Stainless steel screw M5x25	01/10/2003-
003	40195	3023140	Lower door with tank	01/10/2003-
003	40200	36Z1860	Tank cover	01/10/2003-
003	40205	36Z1850	Back tank cover	01/10/2003-
003	40210	3063740	Square tank	01/10/2003-
004	4500	KD40-Pos.4500	Control panel	01/10/2003-
004	4515	3063320	Green start key	01/10/2003-
004	4525	32W4260	Green ON-OFF key	01/10/2003-
004	4535	36U0870	Square grey triple support	01/10/2003-
004	4540	32W4230	Pilot light	01/10/2003-
004	4550	3040850	16A unipolar push button	01/10/2003-
004	4555	32W4150	16A SWITCH ONLY	01/10/2003-
004	4570	36U0850	Pilot light support	01/10/2003-
004	4575	32W4220	Pilot light	01/10/2003-
004	4580	33Q6440	Green-orange cam	01/10/2003-
004	4590	36Q2060	Grey key	01/10/2003-
004	4595	3025580	Green square cycle gem	01/10/2003-
004	4597	3065830	Green square temperature gem	01/10/2003-
005	40360	KD40-Pos.40360	Electric component panel	01/10/2003-

Page	Pos	Code	Description	Info
005	40365	3030290	"Electronic timer 120"" - 220Vac"	01/10/2003-
005	40365	3191870	TIMER	01/10/2003-
005	40370	32V7240	0-90°C thermostat	01/10/2003-
005	40375	32V7100	Bipolar relay in	01/10/2003-
005	40385	KD40-Pos.40385	deviation Low noise filter	01/10/2003-
006	700	33D3260	Single solenoid valve	01/10/2003-
006	720	KD40-Pos.720	Pression reducing valve	01/10/2003-
006	725	15315	Red pression reducing valve support	01/10/2003-
006	730	3140230	12/20 PIPE CLAMP	01/10/2003-
006	735	KD40-Pos.735	3/4 gasket	01/10/2003-
007	810	33D3250	Double solenoid valve - O10	01/10/2003-
007	815	KD40-Pos.815	Green pression solenoid valve	01/10/2003-
007	820	KD40-Pos.820	Pression reducing valve	01/10/2003-
007	825	33A2090	Red pression reducing valve	01/10/2003-
007	830	3140230	12/20 PIPE CLAMP	01/10/2003-
007	835	KD40-Pos.835	3/4 gasket	01/10/2003-
008	1300	33D2100	SAFETY VALVE	01/09/2007-
009	4800	3023040	Tecnopro dosing valve	01/10/2003-
009	4805	3024680	O22 gasket	01/10/2003-
009	4810	3206600	Membrane	01/10/2003-
009	4820	33D3240	3 out shining product dosing d	01/10/2003-
009	4830	36H1500	Counter-weight	01/10/2003-
009	4840	30Q3210	Small filter	01/10/2003-
009	4850	3187520	Flexible-pipe holder	01/10/2003-
010	12400	3035850	OR gasket	01/10/2003-
010	12405	3023900	Boiler	01/10/2003-
010	12410	3030200	2,8/3,05KW 230/240V- 1F heatin	01/10/2003-
010	12410	3104990	HEATING EL.	01/10/2003-
010	12415	32V7250	Safety thermostat	01/10/2003-
011	9600	3048190	Ø10 mm plastic 3 ways connection	01/03/2005-
011	9605	3140230	12/20 PIPE CLAMP	01/03/2005-
012	12600	3081970	0,45Hp 230V 50Hz wash pump	01/03/2005-
012	12605	3042740	8 uF capacitor	01/10/2003-
012	12615	3274200	Pump pipe coupling	01/03/2005-
012	12620	KD40-Pos.12620	Top delivery pipe	01/03/2005-
012	12625	3223050	25/40 clamp	01/10/2003-
012	12635	3027690	Pump support	01/03/2005-
012	12640	3036790	ROTATING SEALS	01/10/2003-
012	12645	3024620	Pump rotor	01/10/2003-
012	12650	3116490	Gasket	01/03/2005-
012	12655	3101190	Scroll	01/03/2005-
012	12660	3081980	4137 OR 140 NBR O-ring	01/03/2005-
013	2100	32V7060	47-27 pressure switch	01/10/2003-
013	2105	33D3330	Grey air trap assembly	01/10/2003-
013	2110	37Q5130	Gasket	01/10/2003-
013	2115	33Q6470	M8 stainless steel nut	01/10/2003-
013	2120	3036160	4,5X9 EPDM rubber pipe	01/10/2003-
014	40550	3140230	12/20 PIPE CLAMP	01/10/2003-
014	40555	3102310	Top turret for rotor	01/10/2003-
014	40560	3226230	Guide pipe	01/10/2003-
014	40565	3102320	Ø57x43x1,5 plane gasket	01/10/2003-

Page	Pos	Code	Description	Info
014	40570	3102330	Turret fixing nut	01/10/2003-
014	40575	3120240	WASHER	01/10/2003-
014	40580	3026400	Right wash pipe	01/10/2003-
014	40585	3045410	Opened head wash nozzle	01/10/2003-
014	40590	3045420	OR 2050 NBR gasket	01/10/2003-
014	40595	3065110	Right rinse pipe	01/10/2003-
014	40600	3040290	CLOSED HEAD RINSE NOZZLE	01/10/2003-
014	40605	3035830	OR R6 NBR gasket	01/10/2003-
014	40610	3045430	Closed head wash nozzle	01/10/2003-
014	40615	3026410	Left wash pipe	01/10/2003-
014	40620	KD40-Pos.40620	4x10 TCB O8 spax toothed screw	01/10/2003-
014	40625	KD40-Pos.40625	Wash rotor	01/10/2003-
014	40630	3065100	Left rinse pipe	01/10/2003-
014	40635	3035840	OPENED HEAD RINSE NOZZLE	01/10/2003-
014	40640	3203110	Handle with insert	01/10/2003-
014	40645	3061440	Top/lower wash/rinse group	01/10/2003-
014	40650	3113650	DVGW hole gasket	01/10/2003-
014	40655	3022590	Guide pipe	01/10/2003-
014	40660	3021580	Ø10x1,5x185 steel ground shaft	01/10/2003-
014	40665	3061440	Top/lower wash/rinse group	01/10/2003-
014	40670	3021590	Bell-shape assembly with pipe	01/10/2003-
014	40675	3021600	Ø60 stainless steel disk	01/10/2003-
014	40680	3021610	OR 3125 NBR gasket	01/10/2003-
014	40685	3021620	OR 104 NBR gasket	01/10/2003-
014	40690	3209620	Flux reducer	01/10/2003-
014	40695	3021630	Lower wash turret with hole	01/10/2003-
014	40700	37Q5210	OR 112 NBR gasket	01/10/2003-
014	40705	3110340	3/8M Ø12 elbow pipe fitting	01/10/2003-
014	40710	3022600	Wash rotor	01/10/2003-
015	001	3023890	DRAIN PUMP ASSEMBLY (ACCESSORY TO BE ORDERED)	01/01/2008-