

Зип Общепит

vsezip.ru

+7(812)987-08-81



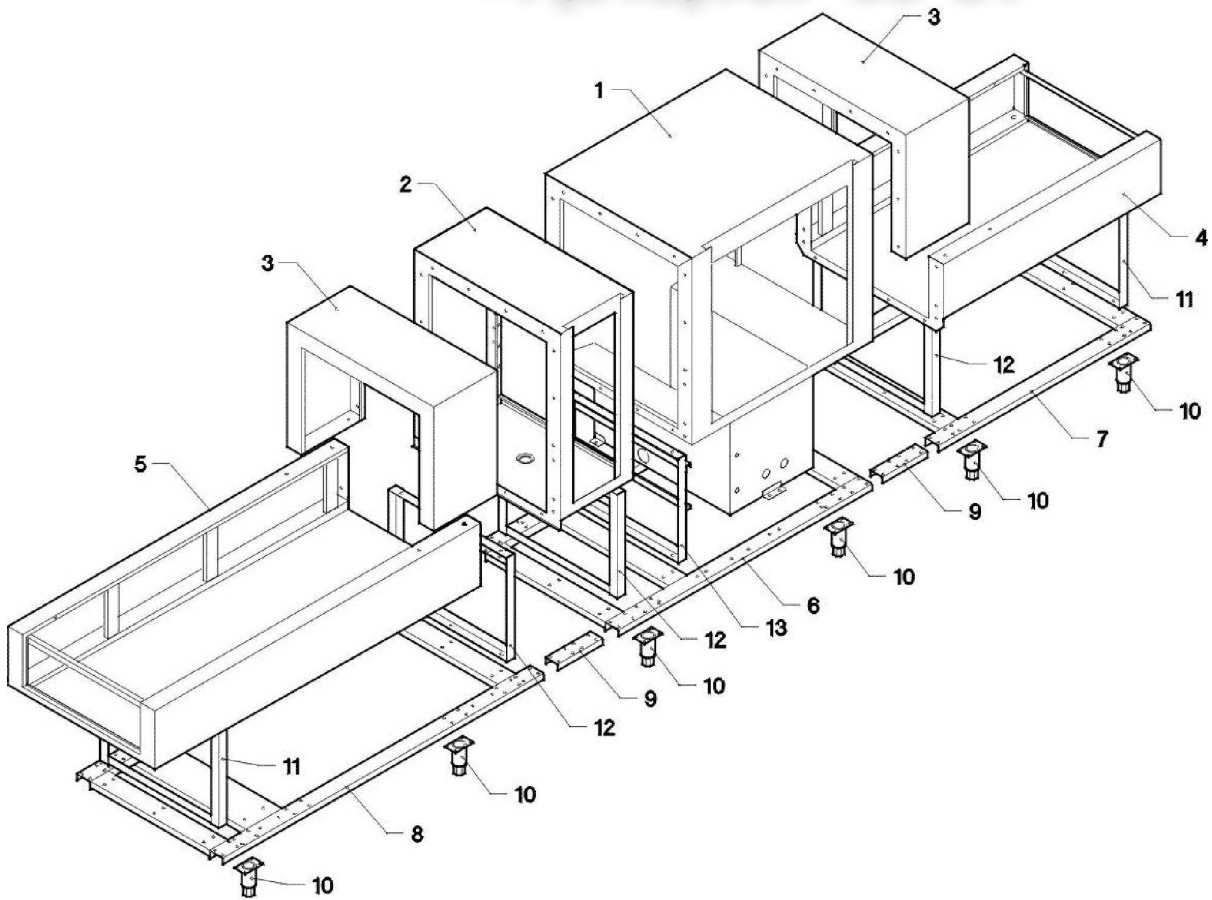
**N303D**

**Edition 20130530-**

Зип Ощепит

vsezip.ru

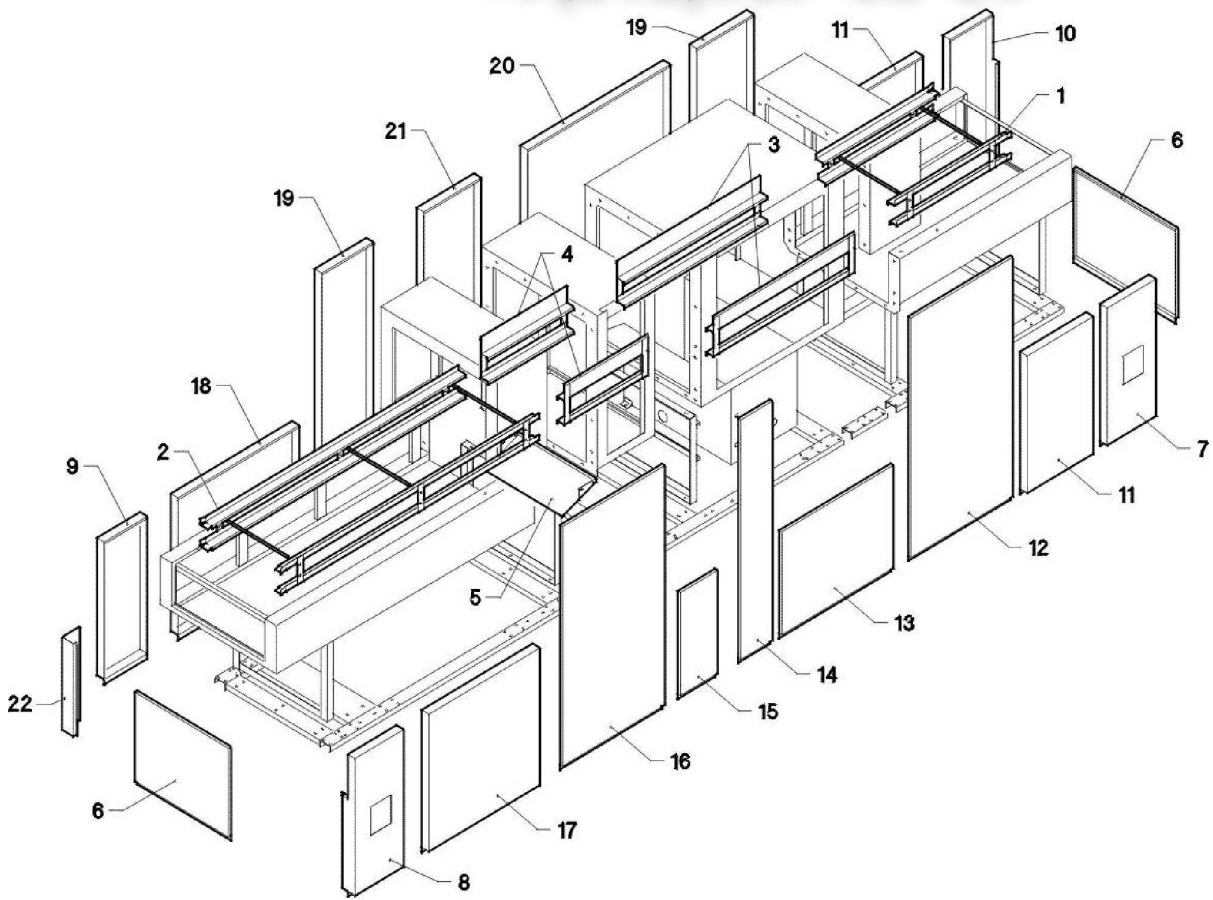
+7(812)987-08-81



Зип Общепит

vsezip.ru

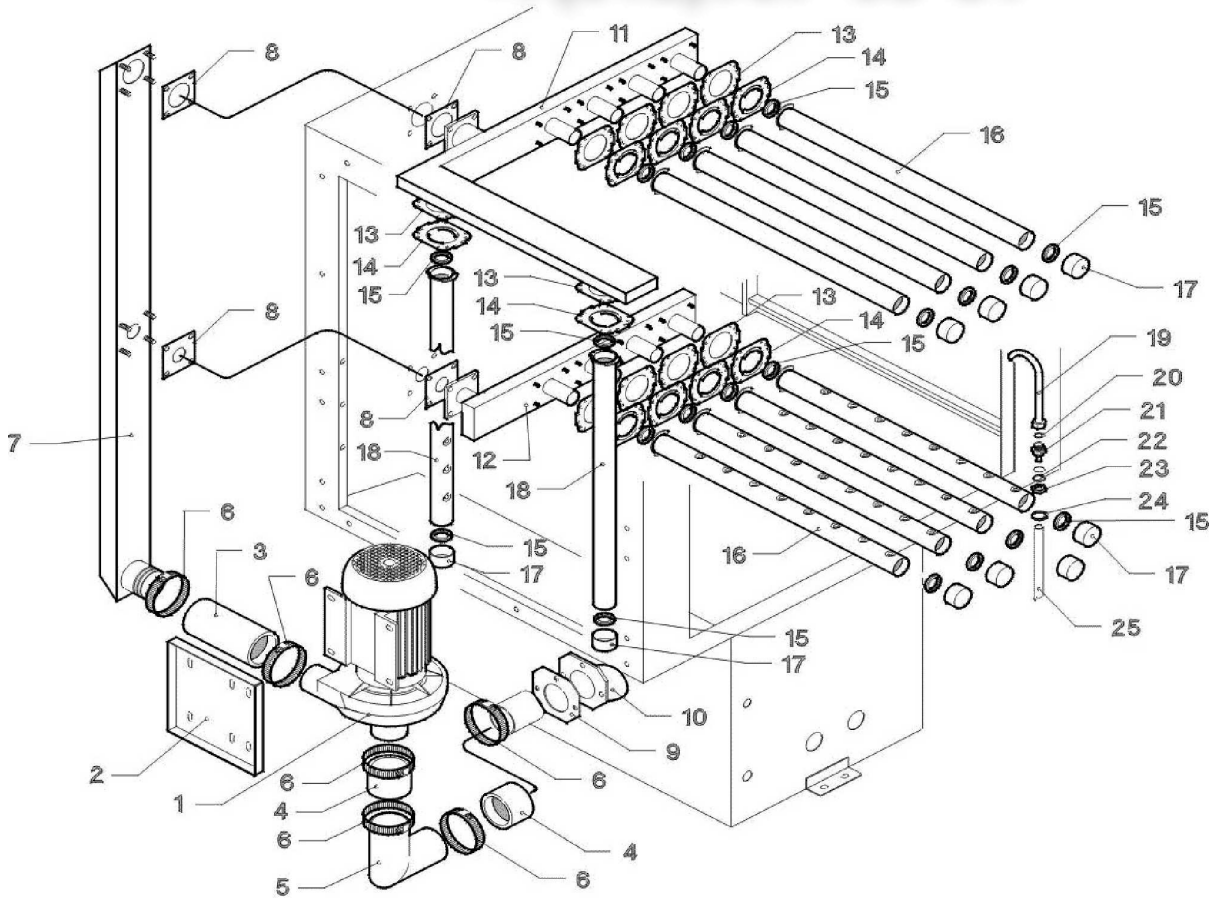
+7(812)987-08-81



Зип Ощепит

vsezip.ru

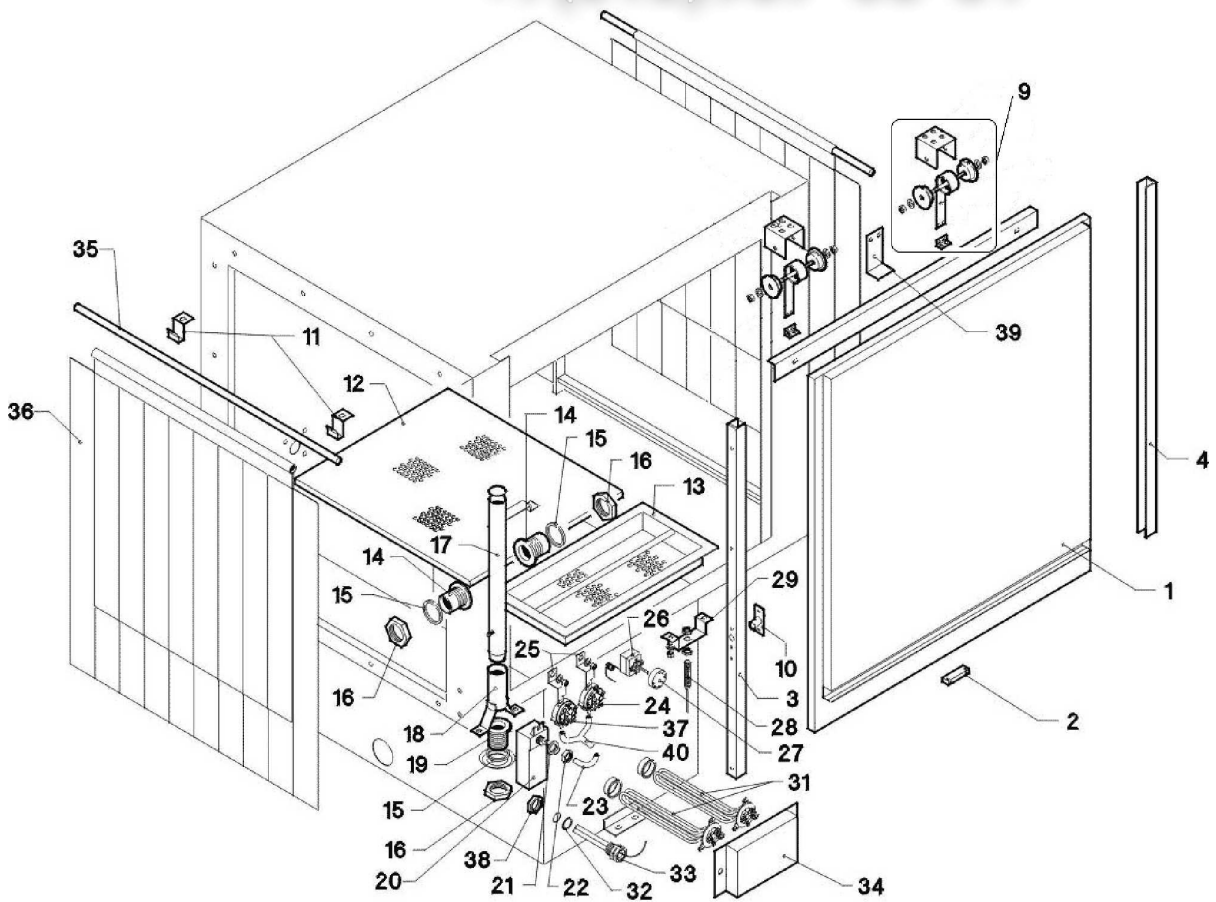
+7(812)987-08-81



Зип Общепит

vsezip.ru

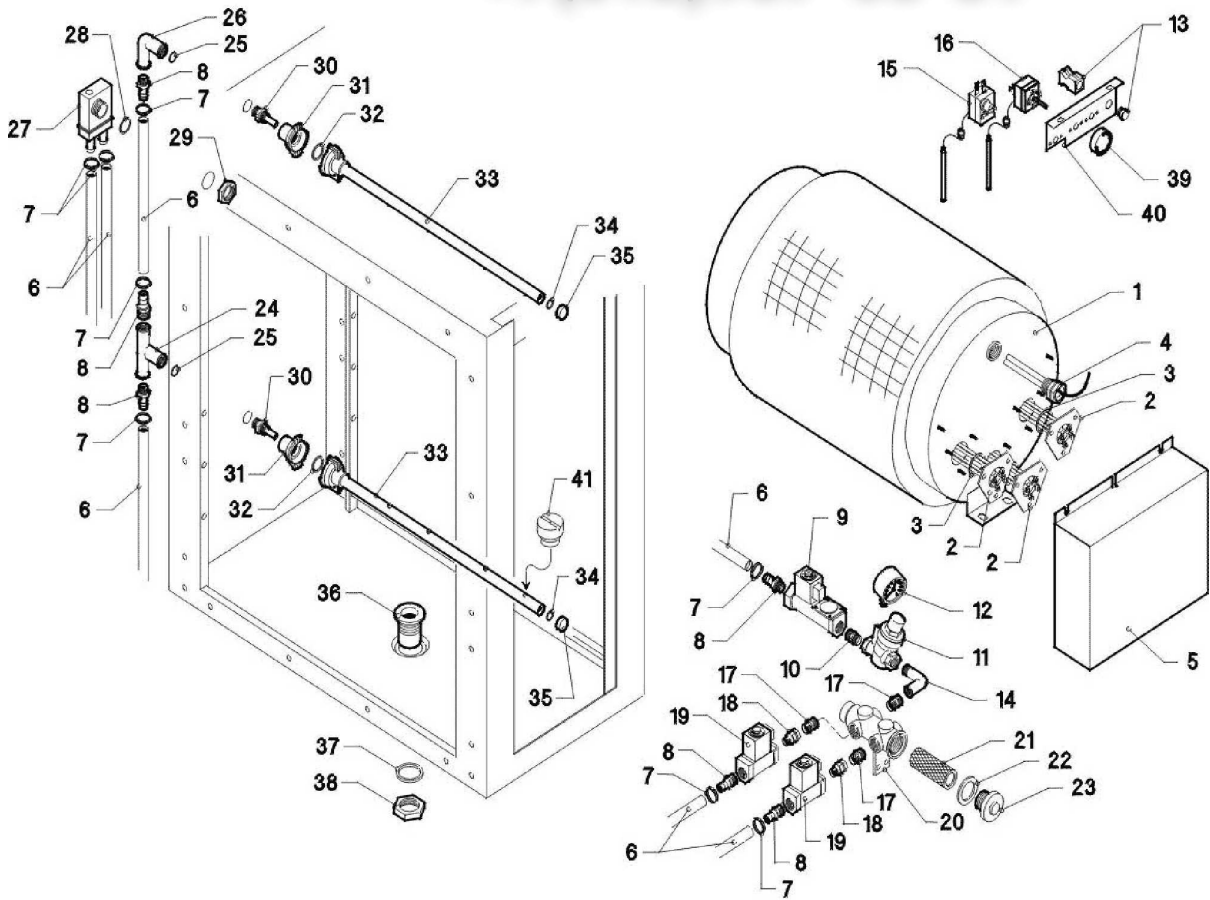
+7(812)987-08-81



Зип Общепит

vsezip.ru

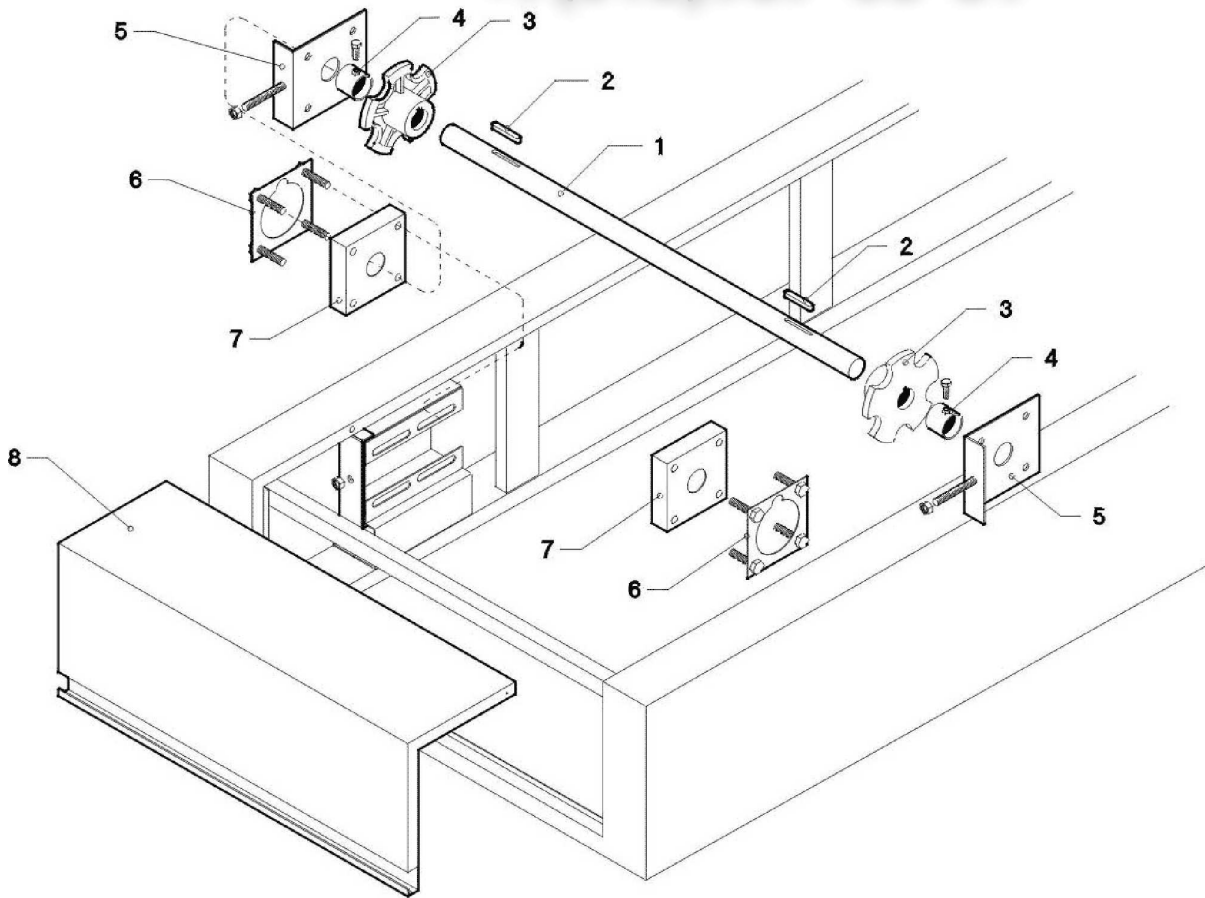
+7(812)987-08-81



Зип Общепит

vsezip.ru

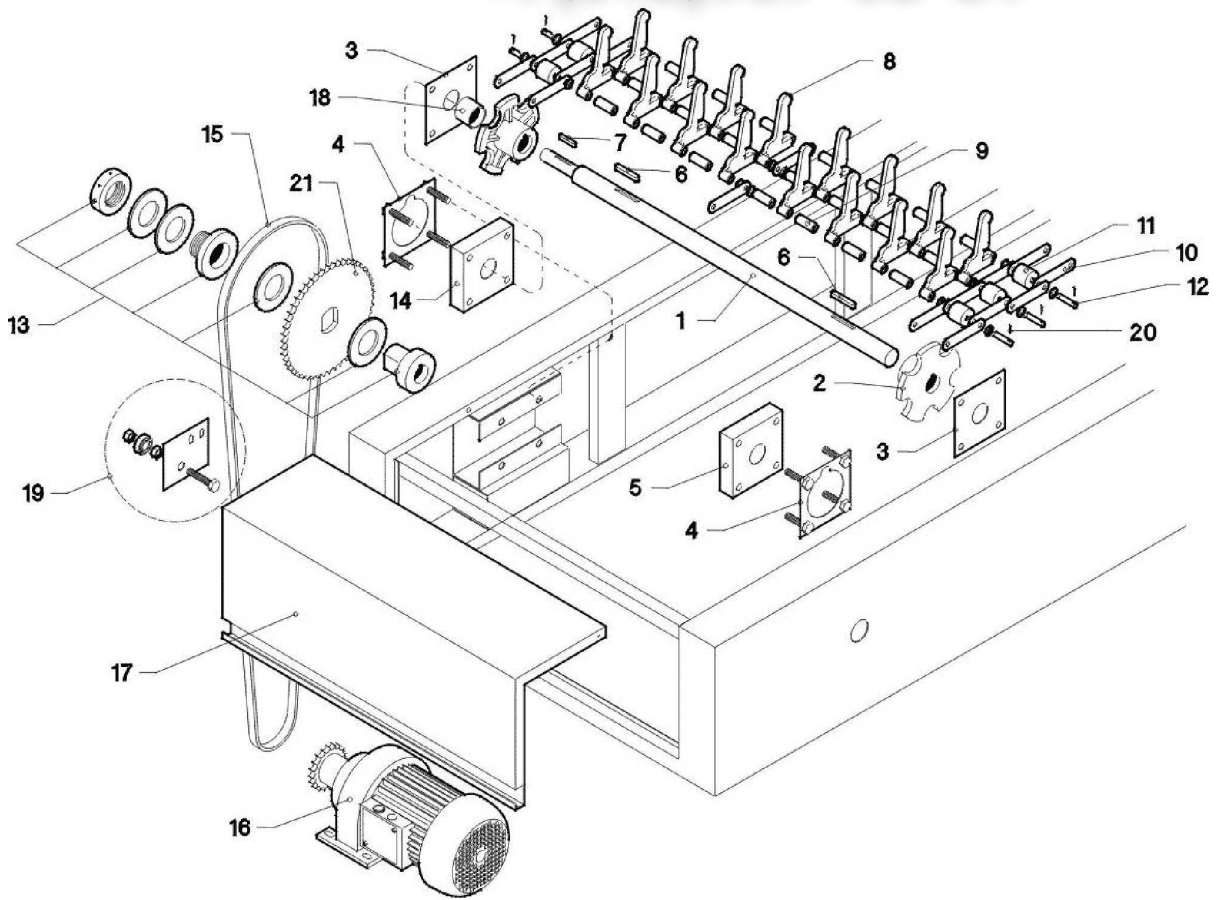
+7(812)987-08-81



Зип Общепит

vsezip.ru

+7(812)987-08-81

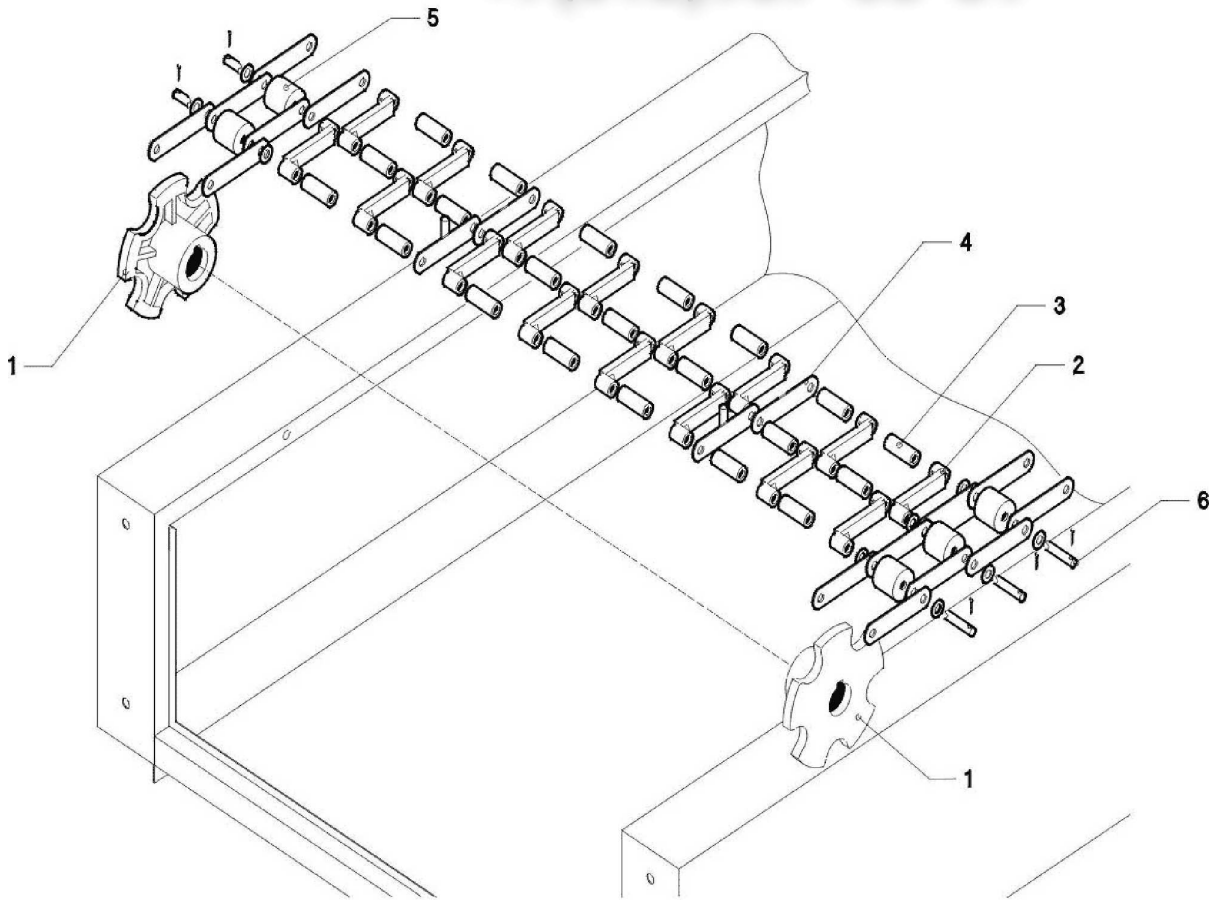




Зип Общепит

vsezip.ru

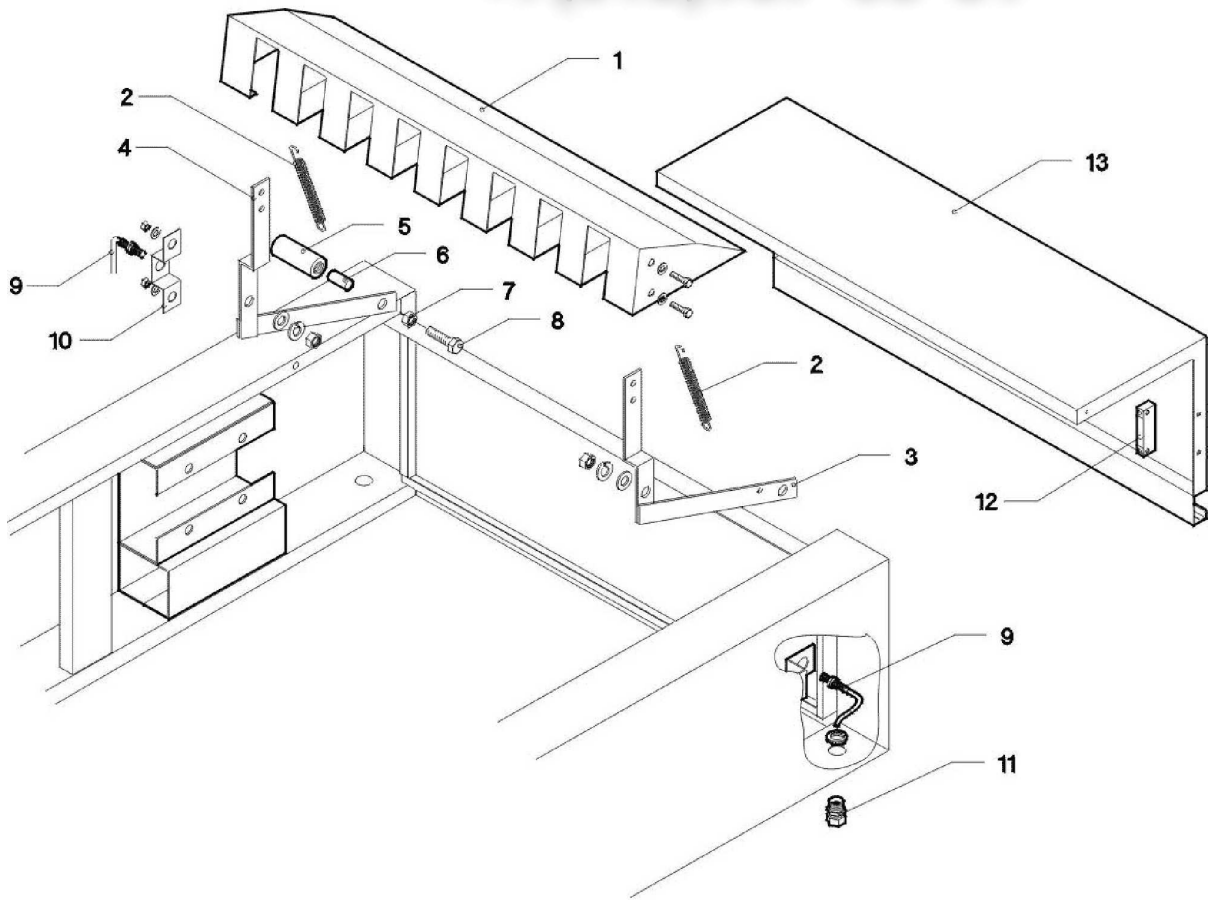
+7(812)987-08-81



Зип Ощепит

vsezip.ru

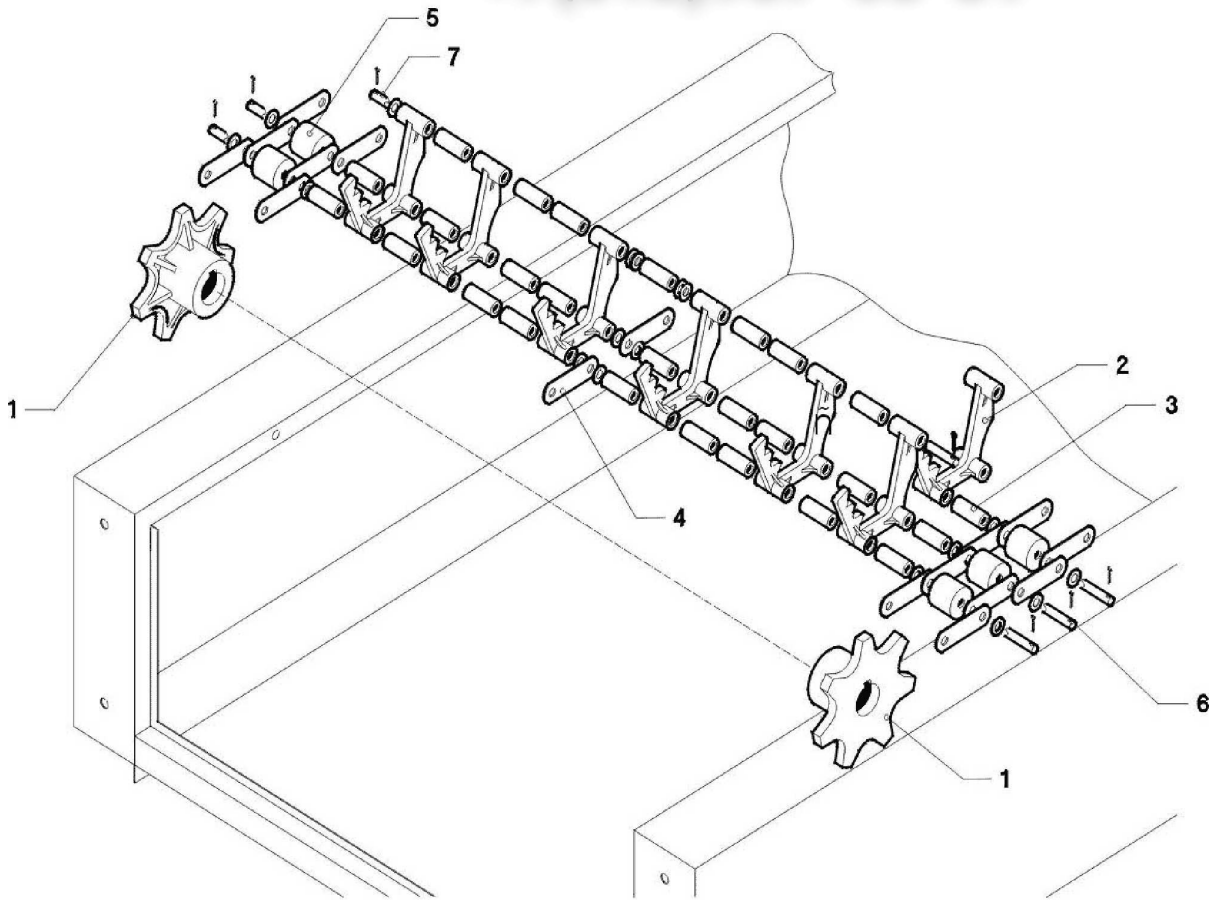
+7(812)987-08-81



Зип Общепит

vsezip.ru

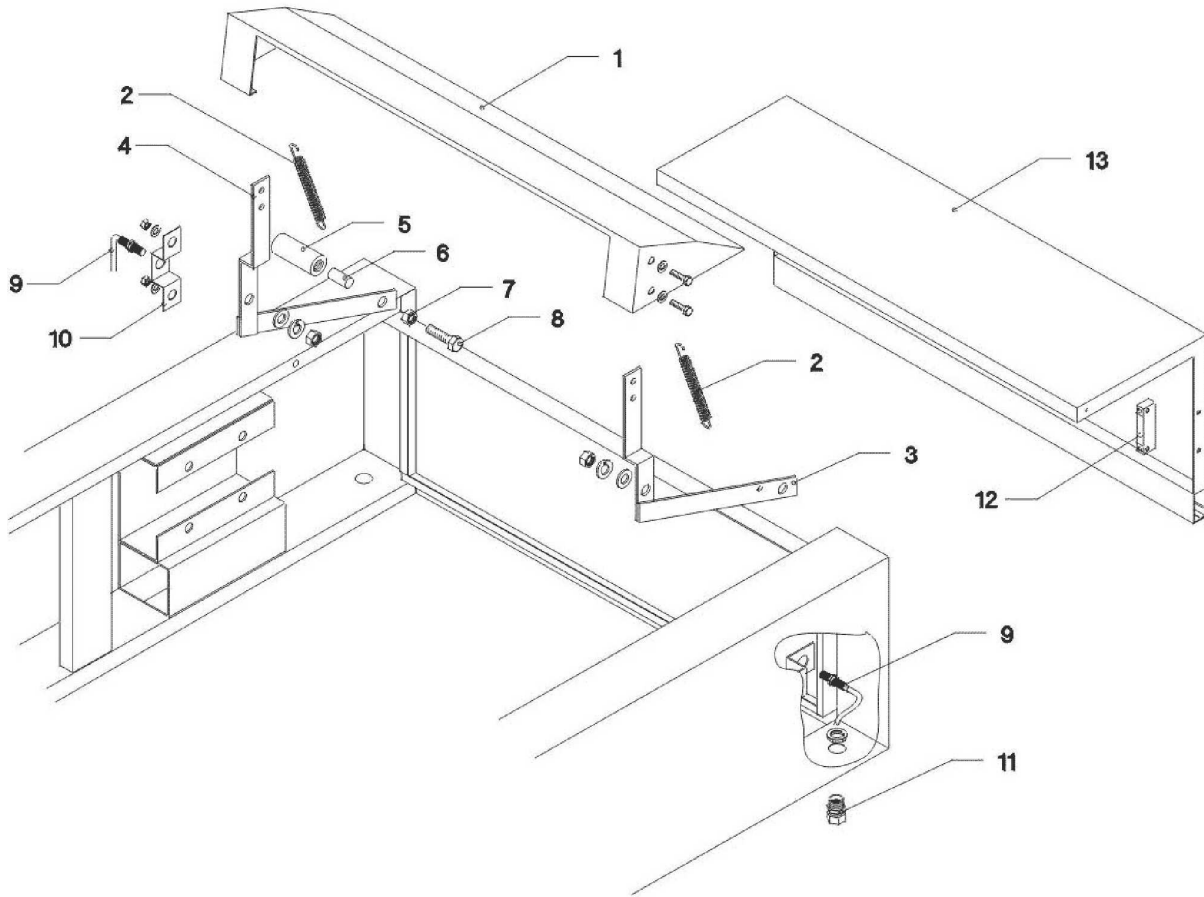
+7(812)987-08-81



Зип Общепит

vsezip.ru

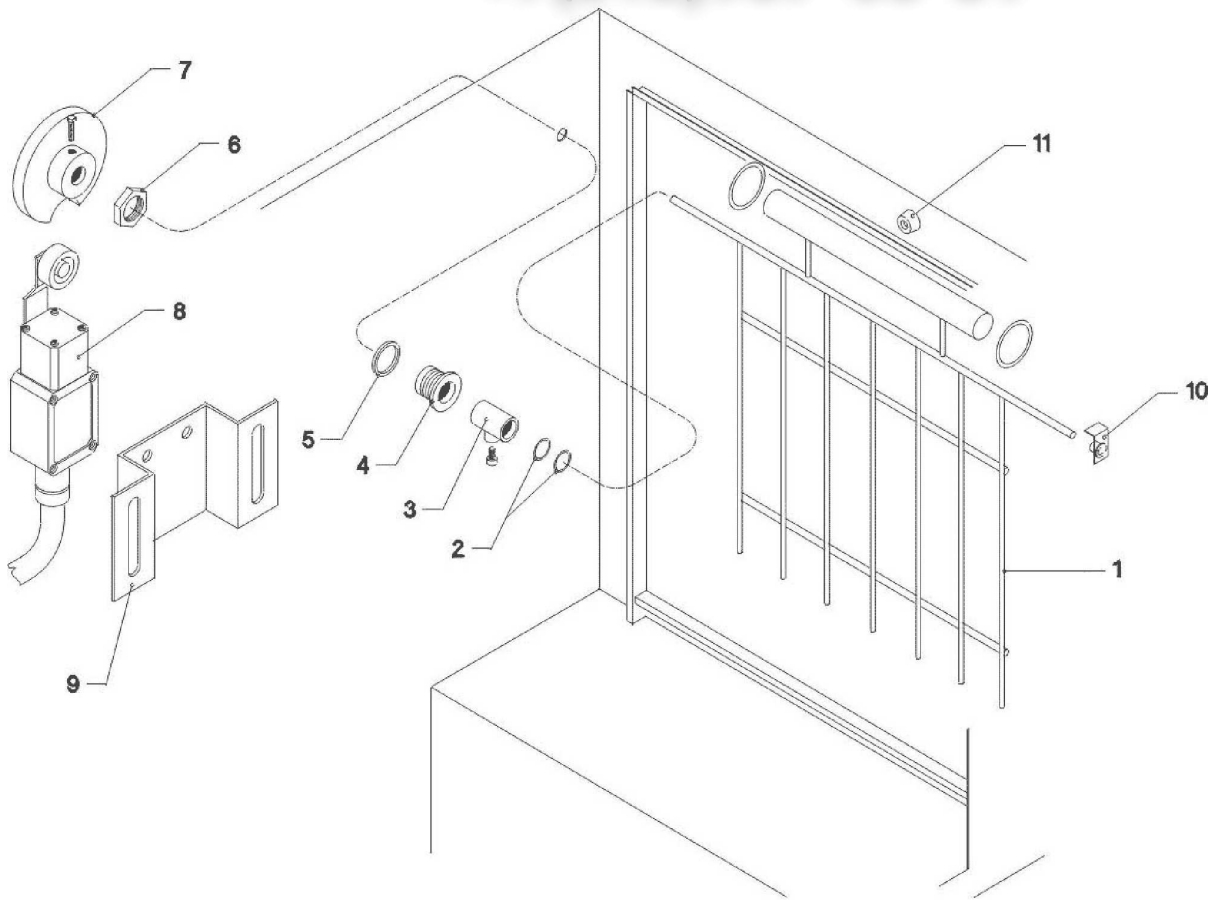
+7(812)987-08-81



Зип Общепит

vsezip.ru

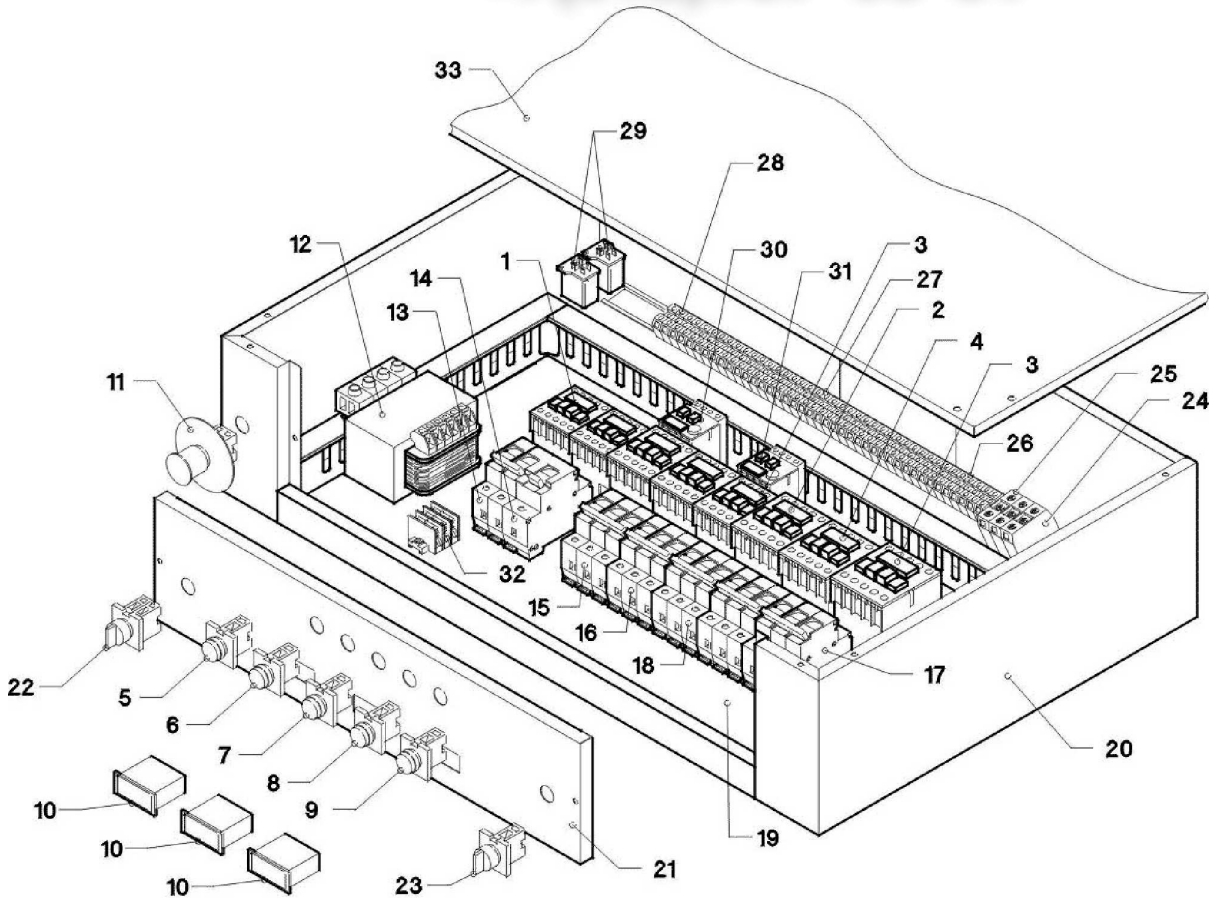
+7(812)987-08-81



Зип Общепит

vsezip.ru

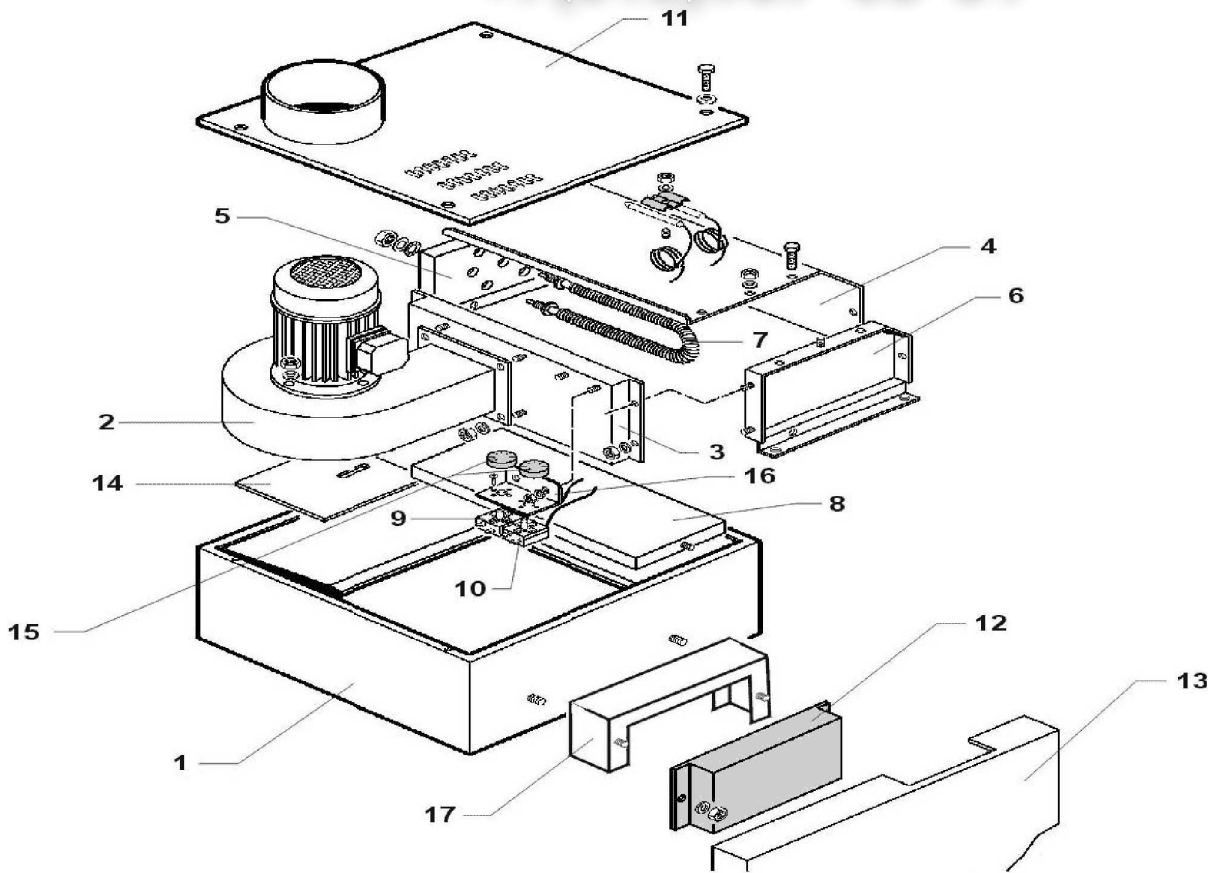
+7(812)987-08-81



Зип Общепит

vsezip.ru

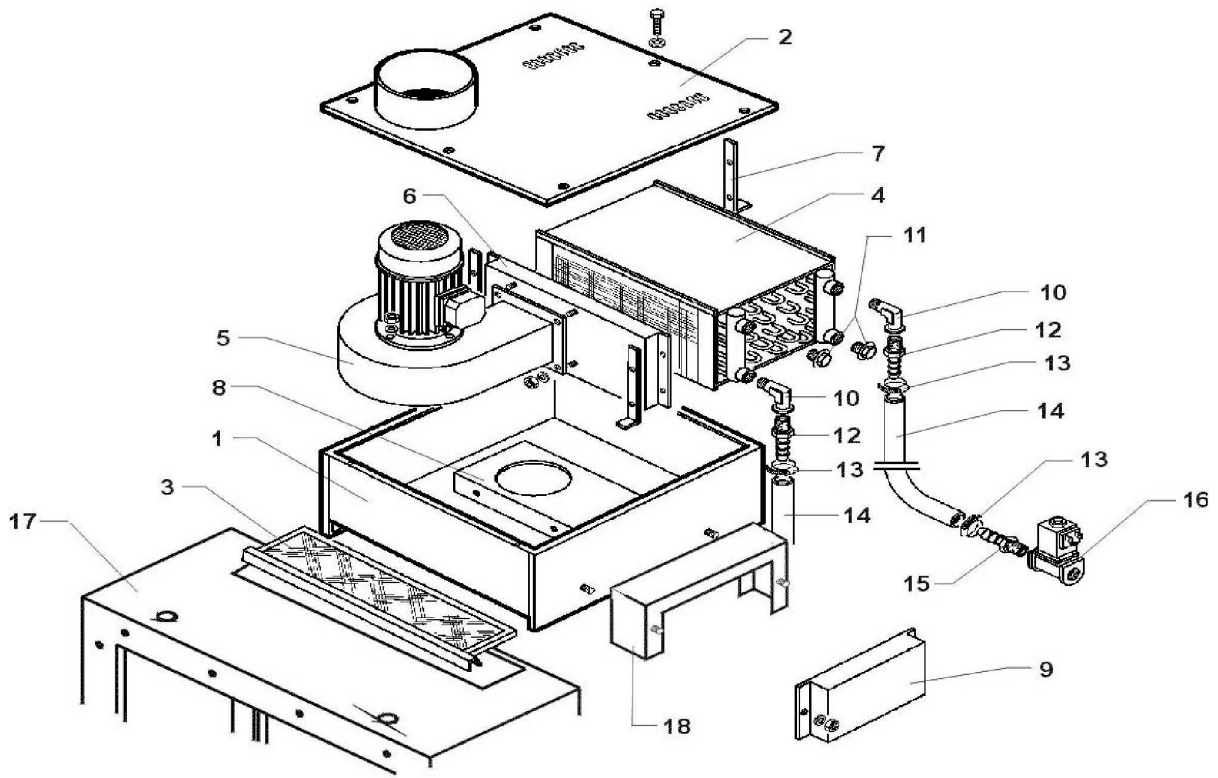
+7(812)987-08-81



Зип Общепит

vsezip.ru

+7(812)987-08-81

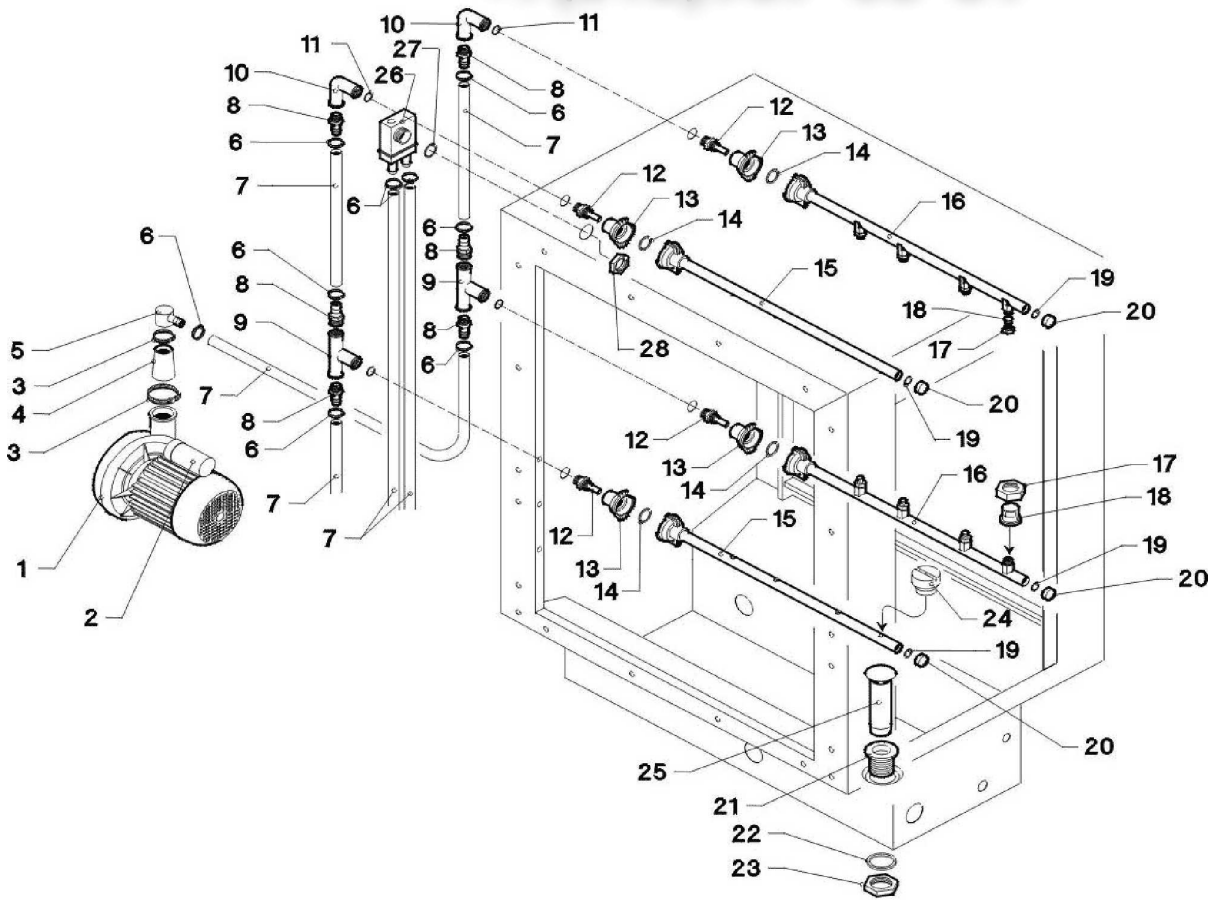




Зип Общепит

vsezip.ru

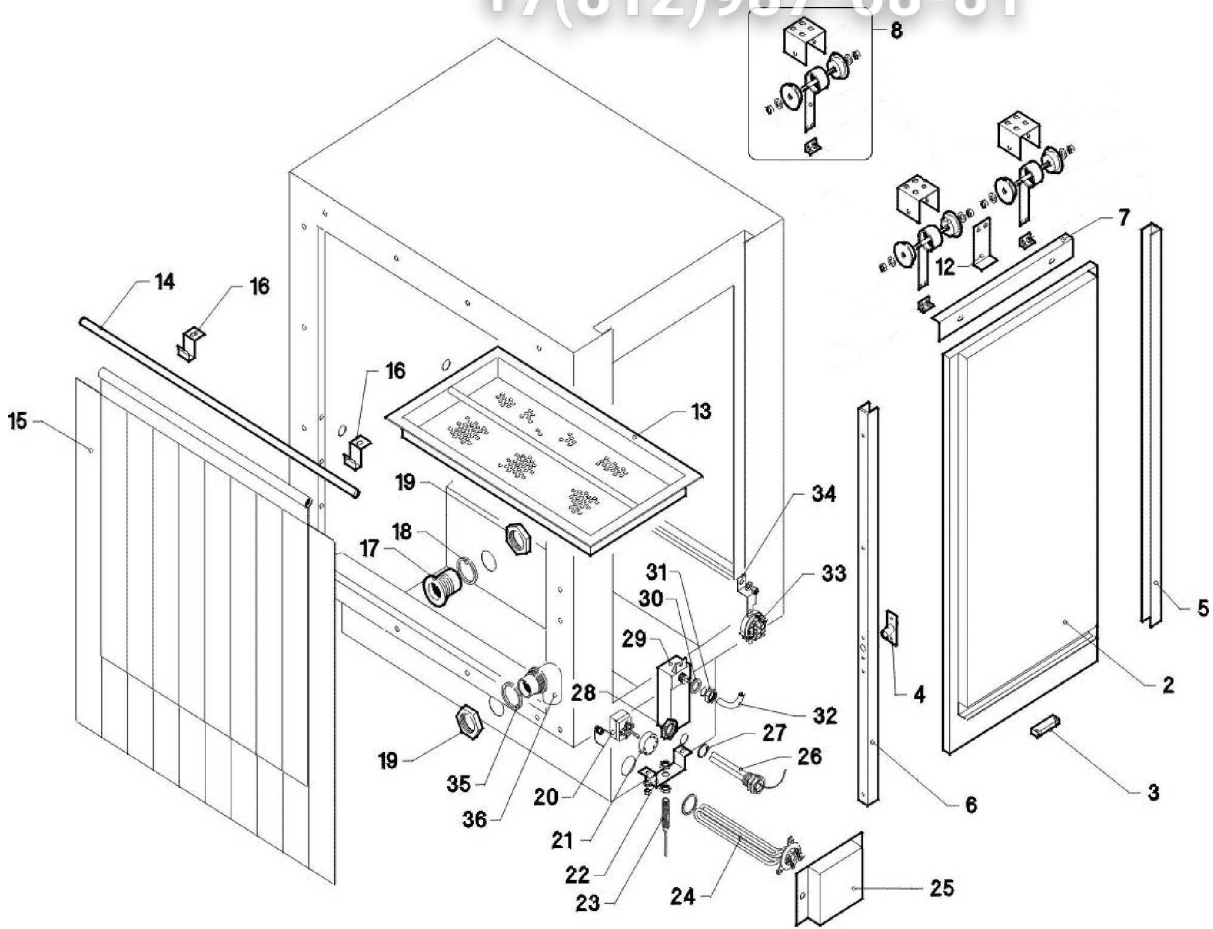
+7(812)987-08-81



Зип Общепит

vsezip.ru

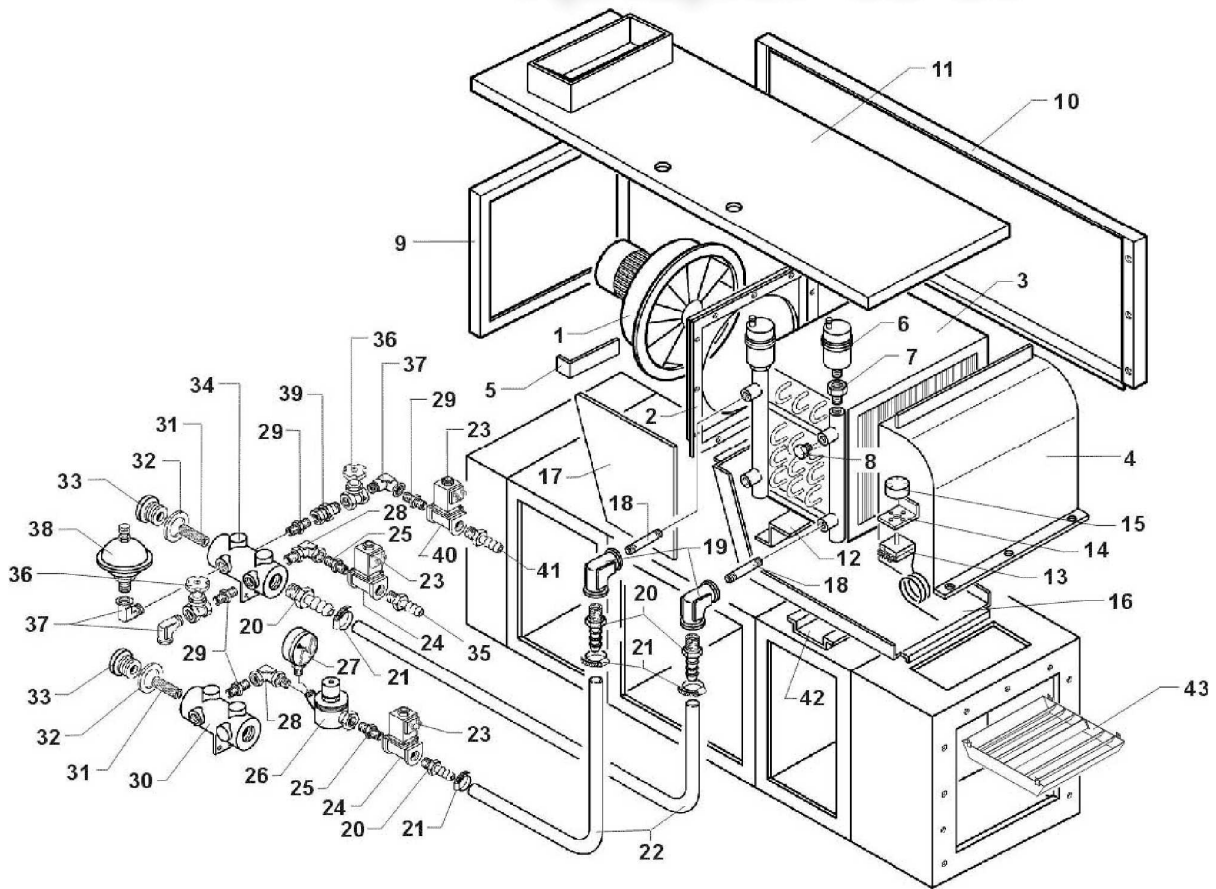
+7(812)987-08-81



Зип Общепит

vsezip.ru

+7(812)987-08-81



Page	Pos	Code	Description	Info
002	001	N303D-Pos.001	WASHING HOOD DX	01/12/2000-
002	002	N303D-Pos.002	RINSE HOOR DX	01/12/2000-
002	003	N303D-Pos.003	HOOD SPRAY-GUARD	01/12/2000-
002	004	N303D-Pos.004	LOADING TABLE	01/12/2000-
002	005	N303D-Pos.005	UNLOADING TABLE	01/12/2000-
002	006	N303D-Pos.006	BASE	01/12/2000-
002	007	N303D-Pos.007	LOADING TABLE BASE	01/12/2000-
002	008	N303D-Pos.008	UNLOADING TABLE BASE	01/12/2000-
002	009	N303D-Pos.009	JUNCTION	01/12/2000-
002	010	36Q0940	STAINLESS STEEL	01/12/2000-
002	011	N303D-Pos.011	FOOT TABLE SUPPORT	01/12/2000-
002	012	N303D-Pos.012	LOADING TABLE SUPPORT	01/12/2000-
002	013	N303D-Pos.013	WASHING TANK SUPPORT	01/12/2000-
003	001	N303D-Pos.001	TRACK FOR LOADING SECTOR	01/12/2000-
003	002	N303D-Pos.002	TRACK FOR UNLOADING SECTOR	01/12/2000-
003	003	N303D-Pos.003	TRACK 1000mm L-R	01/12/2000-
003	004	N303D-Pos.004	TRACK 400mm L-R	01/12/2000-
003	005	N303D-Pos.005	RINSE DEFLECTOR	01/12/2000-
003	006	N303D-Pos.006	SIDE PANEL	01/12/2000-
003	007	N303D-Pos.007	CONTROL PANEL FOR LOADING	01/12/2000-
003	008	N303D-Pos.008	CONTROL PANEL FOR UNLOADING	01/12/2000-
003	009	N303D-Pos.009	CHAINE GUARD	01/12/2000-
003	010	N303D-Pos.010	BACK PANEL ANGULAR	01/12/2000-
003	011	N303D-Pos.011	PANEL FOR LOADING SECTOR	01/12/2000-
003	012	N303D-Pos.012	FRONT PANEL	01/12/2000-
003	013	N303D-Pos.013	PANEL WASHING	01/12/2000-
003	014	N303D-Pos.014	FRONT PANEL	01/12/2000-
003	015	N303D-Pos.015	RINSE PANEL	01/12/2000-
003	016	N303D-Pos.016	FRONT PANEL	01/12/2000-
003	017	N303D-Pos.017	PANEL FOR UNLOADING SECTOR	01/12/2000-
003	018	N303D-Pos.018	PANEL FOR UNLOADING SECTOR	01/12/2000-
003	019	N303D-Pos.019	BACK PANEL SPRAY- GUARD	01/12/2000-
003	020	N303D-Pos.020	BACK PANEL WASHING	01/12/2000-
003	021	N303D-Pos.021	BACK PANEL RINSE	01/12/2000-
003	022	N303D-Pos.022	FRONT PANEL ANGULAR	01/12/2000-
004	001	32M4840	PUMP	01/12/2000-
004	002	3022210	PLATE	01/12/2000-
004	003	33M1330	OUTLET ELBOW L=170 Ø150 ØE60	01/12/2000-
004	004	33M1450	ELBOW L=170 Ø160 ØE70	01/12/2000-
004	005	33M1290	RUBBER INTAKE PIPE FITTING	01/01/2004-
004	006	3022220	CLAMP	01/12/2000-
004	007	N303D-Pos.007	WASHING PIPE	01/12/2000-
004	008	3151900	GASKET	01/12/2000-
004	009	3107000	GASKET	01/12/2000-
004	010	33Q4290	ONTAKE PIPE FITTING	01/12/2000-
004	011	3087400	UPPER WASHING PIPE	01/12/2000-
004	012	3011880	LOWER WASHING PIPE	01/12/2000-
004	013	36G9390	FLANGE	01/12/2000-
004	014	36G9400	FLANGE COUPLING	01/12/2000-
004	015	3152780	GASKET	01/12/2000-
004	016	30Z3420	WASHING PIPE	01/12/2000-

Page	Pos	Code	Description	Info
004	017	36Q1930	PLUG INOX	01/12/2000-
004	018	N303D-Pos.018	WASHING PIPE	01/12/2000-
004	019	33Q2660	TANK LOADING PIPE	01/12/2000-
004	020	N303D-Pos.020	GASKET	01/12/2000-
004	021	3026200	PIPE FITTING	01/12/2000-
004	022	3152170	O-RING	01/12/2000-
004	023	33Q2190	RING NUT	01/12/2000-
004	024	N303D-Pos.024	CLAMP	01/12/2000-
004	025	33M1210	RUBBER PIPE	01/12/2000-
005	001	N303D-Pos.001	RESSORT STAPLE	01/12/2000-
005	002	35W0670	COVER MAGNET	01/12/2000-
005	003	3036010	GUIDE SX	01/12/2000-
005	004	3039720	GUIDE DX	01/12/2000-
005	005	N303D-Pos.005	SPRAY-GUARD	01/12/2000-
005	009	36G7650	SPRING	01/12/2000-
005	010	36U0180	SAFETY DOOR CATCH	01/12/2000-
005	011	3037880	BRACKET CURTAIN	01/12/2000-
005	012	3024230	FILTER	01/12/2000-
005	013	3024240	FILTER	01/12/2000-
005	014	33Q2290	"DRAIN CONNECTION 1""1/4"	01/12/2000-
005	015	3151930	O-RING	01/12/2000-
005	016	33Q2160	RING NUT	01/12/2000-
005	017	33D2880	RODDED OVERFLOW	01/12/2000-
005	018	30T2720	H=430 OVER FLOW GUIDE	01/12/2000-
005	019	33Q4740	"DRAIN CONNECTION 1""1/4"	01/12/2000-
005	020	33D1390	AIR TRAP	01/12/2000-
005	021	3151890	GASKET	01/12/2000-
005	022	33Q2190	RING NUT	01/12/2000-
005	023	131AA08	HOSE	01/12/2000-
005	024	3102300	PRESSURE-SWITCH 120/165	01/12/2000-
005	025	N303D-Pos.025	PRESSURE SWITCH SUPP.	01/12/2000-
005	026	32Z8840	THERMOSTAT 30-90C	01/01/2004-
005	027	36M2830	HANDLE	01/12/2000-
005	028	32Z8650	MAGNETIC REED	01/12/2000-
005	029	35Q9260	REED BRACKET	01/12/2000-
005	030	3152160	OR RING	01/12/2000-
005	031	32G2180	HEATING ELEMENT 6KW	01/12/2000-
005	032	37Q2840	GASKET	01/12/2000-
005	033	30Q1070	BULB HOLDER	01/12/2000-
005	034	35Q9250	HEATING COVER	01/12/2000-
005	035	36G7580	SHAFT	01/12/2000-
005	036	36Z0740	SPLASH GUARD CURTAIN	01/12/2000-
005	037	32Z8930	PRESSURE-SWITCH 20/40	01/12/2000-
005	038	33Q3690	RING NUT	01/12/2000-
005	039	3AT1470	SPRING LOCK	01/12/2000-
005	040	33Q2280	PIPE FITTING	01/12/2000-
006	001	34A2100	BOILER	01/12/2000-
006	002	32G2720	HEATING ELEMENT 9KW	01/12/2000-
006	003	3150430	"O" RING Ø 56.52	01/12/2000-
006	004	30Q1070	BULB HOLDER	01/12/2000-
006	005	N303D-Pos.005	HEATING COVER	01/12/2000-

Page	Pos	Code	Description	Info
006	006	33M1210	RUBBER PIPE	01/12/2000-
006	007	N303D-Pos.007	CLAMP	01/12/2000-
006	008	N303D-Pos.008	PIPE FITTING 1/2"	01/12/2000-
006	009	33D1050	"SOLENOID VALVE 3/4""	01/12/2000-
006	010	3071290	"NIPPLE 3/4"-1/2""	01/12/2000-
006	011	N303D-Pos.011	PRESSURE REDUCER 1/2"	01/12/2000-
006	012	33D2090	PRESSURE GANGE 0- 4BAR Ø50 - 1	01/12/2000-
006	013	3106740	PUSH BUTTON	01/12/2000-
006	014	3071300	"PIPE UNION 1/2""	01/12/2000-
006	015	32Z8830	SAFETY THERMOSTAT	01/12/2000-
006	016	32Z8840	THERMOSTAT 30-90C	01/01/2004-
006	017	3071310	"NIPPLE 1/2""	01/12/2000-
006	018	3022550	PIPE UNION 1/2"	01/12/2000-
006	019	33D1060	"SOLENOID VALVE 1/2""	01/12/2000-
006	020	30Q1300	FILTER	01/12/2000-
006	021	30Q1290	FILTER	01/12/2000-
006	022	3044690	GASKET	01/12/2000-
006	023	3044700	PLUG	01/12/2000-
006	024	N303D-Pos.024	PIPE FITTING 1/2"	01/12/2000-
006	025	3152670	GASKET	01/12/2000-
006	026	33Q4790	"PIPE FITTING 1/2""	01/12/2000-
006	027	33D2100	SAFETY VALVE	01/09/2007-
006	028	3152190	GASKET	01/12/2000-
006	029	32D1140	LOCK NUT	01/12/2000-
006	030	36G9860	GUIDE FOR ARM	01/12/2000-
006	031	3029420	QUICK COUPLER	01/12/2000-
006	032	3008080	GASKET	01/12/2000-
006	033	30Z2960	UPPER/LOWER RINSE ARM	01/12/2000-
006	034	37Q4200	GASKET	01/12/2000-
006	035	36Q1900	PLUG	01/12/2000-
006	036	33Q2290	"DRAIN CONNECTION 1""1/4"	01/12/2000-
006	037	3151930	O-RING	01/12/2000-
006	038	33Q2160	RING NUT	01/12/2000-
006	039	36M2830	HANDLE	01/12/2000-
006	040	3106750	THERMOSTAT BRACKET	01/12/2000-
006	041	33T2930	NOZZLE	01/12/2000-
007	001	36H0760	DRIVEN SHAFT	01/12/2000-
007	002	3019340	KEY	01/12/2000-
007	003	3006900	FEED WHEEL	01/12/2000-
007	004	3016010	SPACER	01/12/2000-
007	005	N303D-Pos.005	BELT TIGHTENER PLATE	01/12/2000-
007	006	3016030	FLANGE	01/12/2000-
007	007	35U2010	HOUSING	01/12/2000-
007	008	N303D-Pos.008	INSPECTION LID	01/12/2000-
008	001	3019300	DRIVING SHAFT	01/12/2000-
008	002	3006900	FEED WHEEL	01/12/2000-
008	003	3016020	FLANGE COUPLING	01/12/2000-
008	004	3016030	FLANGE	01/12/2000-
008	005	35U2010	HOUSING	01/12/2000-
008	006	3019340	KEY	01/12/2000-
008	007	3191110	KEY 6X6X25	01/12/2000-

Page	Pos	Code	Description	Info
008	008	36D0600	NIB	01/12/2000-
008	009	35G3920	SPACER	01/12/2000-
008	010	35Y5790	LINK	01/12/2000-
008	011	3002620	WHEEL CONVEYOR	01/12/2000-
008	012	36H0440	CONVEYOR SHAFT	01/12/2000-
008	013	36G7530	CLUTCH	01/12/2000-
008	014	35U1240	HOUSING	01/12/2000-
008	015	3035550	CHAIN L=1800mm	01/12/2000-
008	016	32M4880	SPEED REDUCER	01/12/2000-
008	017	N303D-Pos.017	INSPECTION LID	01/12/2000-
008	018	3016010	SPACER	01/12/2000-
008	019	3007290	CHAIN STRECHER	01/12/2000-
008	020	36G7490	SPLIT PIN	01/12/2000-
008	021	3191540	SPROCKET Z = 60	01/12/2000-
008	021	36G7980	SPROCKET	01/12/2000-
008	021	N303D-Pos.021	SPROCKET	01/12/2000-
008	021	N303D-Pos.021	SPROCKET	01/12/2000-
008	021	N303D-Pos.021	SPROCKET	01/12/2000-
008	021	N303D-Pos.021	SPROCKET	01/12/2000-
008	021	N303D-Pos.021	SPROCKET	01/12/2000-
008	021	N303D-Pos.021	SPROCKET	01/12/2000-
009	001	3006900	FEED WHEEL	01/12/2000-
009	002	3208210	FINGER	01/12/2000-
009	003	35G3920	SPACER	01/12/2000-
009	004	35Y5790	LINK	01/12/2000-
009	005	3002620	WHEEL CONVEYOR	01/12/2000-
009	006	36H0440	CONVEYOR SHAFT	01/12/2000-
010	001	3073480	LIMIT SWITCH	01/12/2000-
010	002	3011500	SPRING	01/12/2000-
010	003	30Z2450	SHOULDER LEFT	01/12/2000-
010	004	30Z2440	SHOULDER RIGHT	01/12/2000-
010	005	3025480	COVER MAGNET	01/12/2000-
010	006	32Z8630	MAGNET	01/12/2000-
010	007	3117620	STEEL NUT M10X8	01/12/2000-
010	008	N303D-Pos.008	SCREW	01/12/2000-
010	009	32Z8650	MAGNETIC REED	01/12/2000-
010	010	35Q9260	REED BRACKET	01/12/2000-
010	011	3025510	CABLE GLAND	01/12/2000-
010	012	35W0670	COVER MAGNET	01/12/2000-
010	013	N303D-Pos.013	INSPECTION LID	01/12/2000-
011	001	35U1120	SPROCKET	01/12/2000-
011	002	36H1050	FINGER	01/12/2000-
011	003	35G3920	SPACER	01/12/2000-
011	004	35Y5790	LINK	01/12/2000-
011	005	3002620	WHEEL CONVEYOR	01/12/2000-
011	006	36H0440	CONVEYOR SHAFT	01/12/2000-
011	007	36G9800	SHAFT	01/12/2000-
012	001	3075540	LIMIT SWITCH	01/12/2000-
012	002	3011500	SPRING	01/12/2000-
012	003	30Z2450	SHOULDER LEFT	01/12/2000-
012	004	30Z2440	SHOULDER RIGHT	01/12/2000-

Page	Pos	Code	Description	Info
012	005	3025480	COVER MAGNET	01/12/2000-
012	006	32Z8630	MAGNET	01/12/2000-
012	007	3117620	STEEL NUT M10X8	01/12/2000-
012	008	N303D-Pos.008	SCREW	01/12/2000-
012	009	32Z8650	MAGNETIC REED	01/12/2000-
012	010	35Q9260	REED BRACKET	01/12/2000-
012	011	3025510	CABLE GLAND	01/12/2000-
012	012	35W0670	COVER MAGNET	01/12/2000-
012	013	N303D-Pos.013	INSPECTION LID	01/12/2000-
013	001	3FL0267	ECONOMISER	01/12/2000-
013	002	3152420	O-RING	01/12/2000-
013	003	3037850	BEARING LOCK ECONOMISER	01/12/2000-
013	004	3037860	PIPE FITTING	01/12/2000-
013	005	3037870	GASKET	01/12/2000-
013	006	33Q2190	RING NUT	01/12/2000-
013	007	N303D-Pos.007	ECCENTRIC	01/12/2000-
013	008	32Z8560	MICROSWITCH	01/12/2000-
013	009	N303D-Pos.009	BRACKET	01/12/2000-
013	010	3039660	ECONOMISER SUPPORT	01/12/2000-
013	011	N303D-Pos.011	SHOCK ABSORBER FOOT	01/12/2000-
014	001	32Z8680	CONTACTOR	01/12/2000-
014	002	N303D-Pos.002	CONTACTOR	01/12/2000-
014	003	32Z8970	CONTACTOR	01/12/2000-
014	004	N303D-Pos.004	CONTACTOR	01/12/2000-
014	005	32W4000	STOP PUSH BUTTON	01/12/2000-
014	006	32W4010	START PUSH BUTTON	01/12/2000-
014	007	32W1730	GREEN SWITCH	01/12/2000-
014	008	32W1740	RED SWITCH	01/12/2000-
014	009	32W4020	GREEN LIGHT	01/12/2000-
014	010	32Z8250	DIGITAL THERMOMETER	01/12/2000-
014	011	32W1750	MAIN STOP PUSH BUTTON	01/12/2000-
014	012	32Z8980	TRANSFORMER 350VA	01/12/2000-
014	013	N303D-Pos.013	MAIN SWITCH	01/12/2000-
014	014	32Z9000	MAIN SWITCH	01/12/2000-
014	015	32Z8580	MAIN SWITCH	01/12/2000-
014	016	32Z8600	MAIN SWITCH	01/12/2000-
014	017	32Z8620	MAIN SWITCH	01/12/2000-
014	018	N303D-Pos.018	MAIN SWITCH	01/12/2000-
014	020	N303D-Pos.020	CABINET	01/12/2000-
014	021	N303D-Pos.021	CONTROL PANEL	01/12/2000-
014	022	32Z8670	SWITCH	01/12/2000-
014	023	32Z8470	SWITCH	01/12/2000-
014	024	3069840	TERMINAL BOARD	01/12/2000-
014	025	N303D-Pos.025	TERMINAL	01/12/2000-
014	026	32V4940	TERMINAL 10 mm	01/12/2000-
014	027	3246960	TERMINAL	01/12/2000-
014	028	N303D-Pos.028	TERMINAL	01/12/2000-
014	029	32Z8640	RELAY	01/12/2000-
014	030	32Z8710	OVERLOAD RELAY	01/12/2000-
014	031	32Z8780	OVERLOAD RELAY 4- 6A	01/12/2000-
014	032	N303D-Pos.032	TERMINAL	01/12/2000-



Page	Pos	Code	Description	Info
014	033	N303D-Pos.033	CABINET COVER	01/12/2000-
015	001	N303D-Pos.001	DRYING HOUSING	01/12/2000-
015	002	32M4910	FAN	01/12/2000-
015	003	N303D-Pos.003	FAN SUPPORT	01/12/2000-
015	004	N303D-Pos.004	UPPER COVERING	01/12/2000-
015	005	N303D-Pos.005	HEATER BATTERY SUPPORT	01/12/2000-
015	006	N303D-Pos.006	HEATER BATTERY SUPPORT	01/12/2000-
015	007	32G2190	HEATING ELEMENT 2000W	01/12/2000-
015	008	N303D-Pos.008	CONNECTION SHOULDERS	01/12/2000-
015	009	32Z8840	THERMOSTAT 30-90C	01/01/2004-
015	010	32Z8820	THERMOSTAT	01/12/2000-
015	011	N303D-Pos.011	COVER	01/12/2000-
015	012	N303D-Pos.012	COVERING	01/12/2000-
015	013	N303D-Pos.013	BACK PANEL	01/12/2000-
015	014	N303D-Pos.014	HOUSING	01/12/2000-
015	015	36M2830	HANDLE	01/12/2000-
015	016	N303D-Pos.016	SIDE PANEL SPRAY- GARD H	01/12/2000-
015	017	N303D-Pos.017	SPACER	01/12/2000-
016	001	N303D-Pos.001	HOUSING	01/12/2000-
016	002	N303D-Pos.002	COVER	01/12/2000-
016	003	35Q9330	FILTRE	01/12/2000-
016	004	34D8940	COIL BATTERY	01/12/2000-
016	005	32M4930	FAN	01/12/2000-
016	006	N303D-Pos.006	FAN SUPPORT	01/12/2000-
016	007	N303D-Pos.007	BRACKET BATTERY	01/12/2000-
016	008	N303D-Pos.008	SUPPORT	01/12/2000-
016	009	N303D-Pos.009	COVERING	01/12/2000-
016	010	3219050	ELBOW	01/12/2000-
016	011	N303D-Pos.011	PLUG 3/4"	01/12/2000-
016	012	3022540	PIPE FITTING 3/4"	01/12/2000-
016	013	N303D-Pos.013	CLAMP	01/12/2000-
016	014	33M1210	RUBBER PIPE	01/12/2000-
016	015	N303D-Pos.015	PIPE FITTING 1/2"	01/12/2000-
016	016	33D1060	"SOLENOID VALVE 1/2"""	01/12/2000-
016	017	N303D-Pos.017	HOOD	01/12/2000-
016	018	N303D-Pos.018	SPACER	01/12/2000-
017	001	3088040	PUMP	30/05/2013-
017	002	32V2960	CONDENSER	01/12/2000-
017	003	N303D-Pos.003	CLAMP	01/12/2000-
017	004	N303D-Pos.004	ELBOW	01/12/2000-
017	005	N303D-Pos.005	PIPE FITTING	01/12/2000-
017	006	N303D-Pos.006	CLAMP	01/12/2000-
017	007	33M1210	RUBBER PIPE	01/12/2000-
017	008	N303D-Pos.008	PIPE FITTING 1/2"	01/12/2000-
017	009	N303D-Pos.009	PIPE FITTING 1/2"	01/12/2000-
017	010	33Q4790	"PIPE FITTING 1/2"""	01/12/2000-
017	011	3152670	GASKET	01/12/2000-
017	012	36G9860	GUIDE FOR ARM	01/12/2000-
017	013	3029420	QUICK COUPLER	01/12/2000-
017	014	3008080	GASKET	01/12/2000-
017	015	30Z2960	UPPER/LOWER RINSE ARM	01/12/2000-

Page	Pos	Code	Description	Info
017	016	30Z2990	DOUBLE RINSE ARM	01/12/2000-
017	017	33T3200	LOCK NUT 3/8"	01/12/2000-
017	018	33T4370	DOUBLE RINSE JET	01/12/2000-
017	019	37Q4200	GASKET	01/12/2000-
017	020	36Q1900	PLUG	01/12/2000-
017	021	33Q2290	"DRAIN CONNECTION 1"1/4"	01/12/2000-
017	022	3151930	O-RING	01/12/2000-
017	023	33Q2160	RING NUT	01/12/2000-
017	024	33T2930	NOZZLE	01/12/2000-
017	025	33D1440	OVER FLOW	01/12/2000-
017	026	33D2100	NUT SAFETY VALVE	01/09/2007-
017	027	3152190	GASKET	01/12/2000-
017	028	32D1140	LOCK NUT	01/12/2000-
018	001	N303D-Pos.001	HOOD	01/12/2000-
018	002	N303D-Pos.002	DOOR	01/12/2000-
018	003	35W0670	COVER MAGNET	01/12/2000-
018	004	36U0180	SAFETY DOOR CATCH	01/12/2000-
018	005	3039720	GUIDE DX	01/12/2000-
018	006	3036010	GUIDE SX	01/12/2000-
018	007	N303D-Pos.007	SPRAY-GUARD	01/12/2000-
018	008	36G8730	SPRING	01/12/2000-
018	012	3AT1470	SPRING LOCK	01/12/2000-
018	013	35Q9290	FILTRE	01/12/2000-
018	014	36G7580	SHAFT	01/12/2000-
018	015	36Z0740	SPLASH GUARD CURTAIN	01/12/2000-
018	016	3037880	BRACKET CURTAIN	01/12/2000-
018	017	33Q2290	"DRAIN CONNECTION	01/12/2000-
018	018	3151930	1"1/4" O-RING	01/12/2000-
018	019	33Q2160	RING NUT	01/12/2000-
018	020	32Z8840	THERMOSTAT 30-90C	01/01/2004-
018	021	36M2830	HANDLE	01/12/2000-
018	022	35Q9260	REED BRACKET	01/12/2000-
018	023	32Z8650	MAGNETIC REED	01/12/2000-
018	024	32G2140	HEATING EL.	01/12/2000-
018	025	3FL0216	HEATING COVER	01/12/2000-
018	026	30Q1070	BULB HOLDER	01/12/2000-
018	027	37Q2840	GASKET	01/12/2000-
018	028	33Q3690	RING NUT	01/12/2000-
018	029	33D1390	AIR TRAP	01/12/2000-
018	030	3151890	GASKET	01/12/2000-
018	031	33Q2190	RING NUT	01/12/2000-
018	032	131AA08	HOSE	01/12/2000-
018	033	32V3970	PRESSURE SWITCH 30/40	01/12/2000-
018	034	N303D-Pos.034	PRESSURE SWITCH SUPP.	01/12/2000-
018	035	3029680	GASKET	01/12/2000-
018	036	3029690	PIPE FITTING	01/12/2000-
019	001	3190410	FAN MOTOR	01/12/2000-
019	002	N303D-Pos.002	FAN MOTOR SUPPORT	01/12/2000-
019	003	N303D-Pos.003	BATTERY	01/12/2000-
019	004	N303D-Pos.004	CHANNEL	01/12/2000-
019	005	N303D-Pos.005	BULKHEAD BRACKET	01/12/2000-

Page	Pos	Code	Description	Info
019	006	33D1880	VALVE	01/12/2000-
019	007	N303D-Pos.007	EXTENSION CORD 3/8" - 1/4"	01/12/2000-
019	008	N303D-Pos.008	PLUG 3/4"	01/12/2000-
019	009	N303D-Pos.009	HOUSING SUPPORT	01/12/2000-
019	010	N303D-Pos.010	HOUSING SUPPORT	01/12/2000-
019	010	N303D-Pos.010	HOUSING SUPPORT	01/12/2000-
019	011	N303D-Pos.011	COVER	01/12/2000-
019	012	N303D-Pos.012	BATTERY BRACKET	01/12/2000-
019	013	3228840	THERMOSTAT 30-90C	01/01/2004-
019	014	N303D-Pos.014	THERMOSTAT BRACKET	01/12/2000-
019	015	36M2830	HANDLE	01/12/2000-
019	016	N303D-Pos.016	PIN	01/12/2000-
019	017	N303D-Pos.017	BULKHEAD	01/12/2000-
019	017	N303D-Pos.017	BULKHEAD	01/12/2000-
019	018	N303D-Pos.018	PIPE 3/4"-3/4"	01/12/2000-
019	019	N303D-Pos.019	PIPE FITTING 3/4"	01/12/2000-
019	020	N303D-Pos.020	PIPE FITTING 3/4"	01/12/2000-
019	021	N303D-Pos.021	CLAMP	01/12/2000-
019	022	N303D-Pos.022	RUBBER PIPE	01/12/2000-
019	023	3228550	SOLENOID VALVE 24 V COIL	01/12/2000-
019	024	33D1050	"SOLENOID VALVE 3/4""	01/12/2000-
019	025	N303D-Pos.025	NIPPLE 1/2"-3/4"	01/12/2000-
019	026	N303D-Pos.026	PRESSURE REDUCER 1/2"	01/12/2000-
019	027	33D2090	PRESSURE GANGE 0- 4BAR Ø50 - 1	01/12/2000-
019	028	3071300	"PIPE UNION 1/2""	01/12/2000-
019	029	3071310	"NIPPLE 1/2""	01/12/2000-
019	030	30Q1490	FILTER	01/12/2000-
019	031	30Q1290	FILTER	01/12/2000-
019	032	3044690	GASKET	01/12/2000-
019	033	3044700	PLUG	01/12/2000-
019	034	30Q1300	FILTER	01/12/2000-
019	035	3022540	PIPE FITTING 3/4"	01/12/2000-
019	036	N303D-Pos.036	SLUICE VALVE 1/2"	01/12/2000-
019	037	3022560	PIPE FITTING 1/2"	01/12/2000-
019	038	33Q2850	GUNBARREL	01/12/2000-
019	039	3022550	PIPE UNION 1/2"	01/12/2000-
019	040	33D1060	"SOLENOID VALVE 1/2""	01/12/2000-
019	041	N303D-Pos.041	PIPE FITTING 1/2"	01/12/2000-
019	042	N303D-Pos.042	DRAINER	01/12/2000-
019	043	N303D-Pos.043	CHANNEL	01/12/2000-