

Зип Общепит

vsezip.ru

+7(812)987-08-81



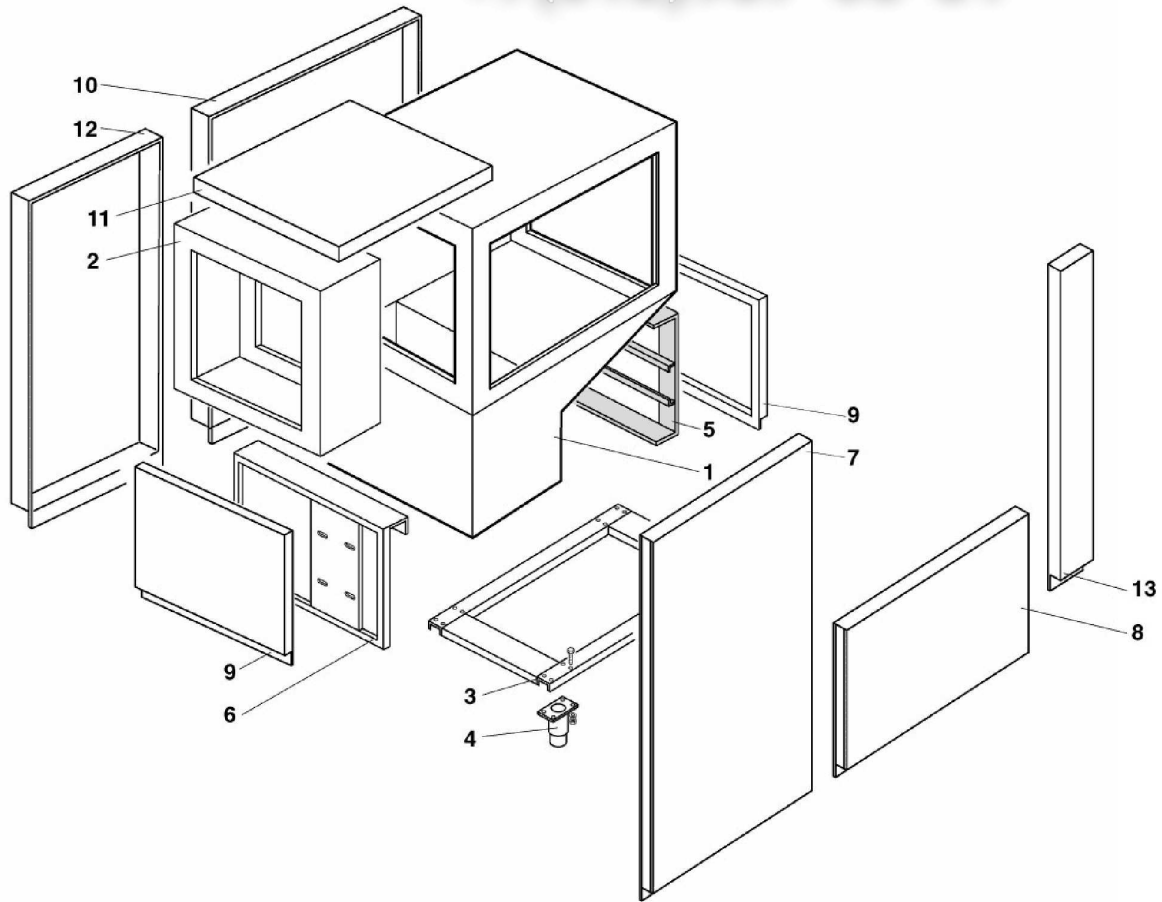
C165D

Edition 20150107-

Зип Общепит

vsezip.ru

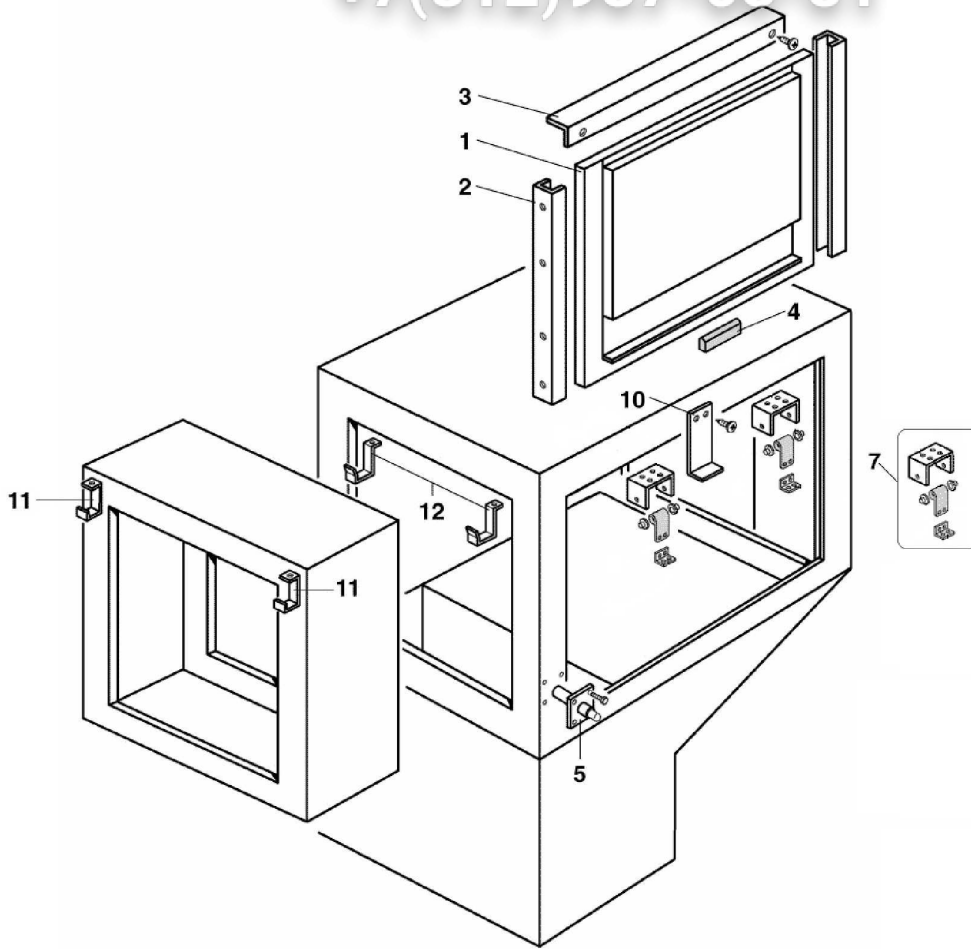
+7(812)987-08-81



Зип Общепит

vsezip.ru

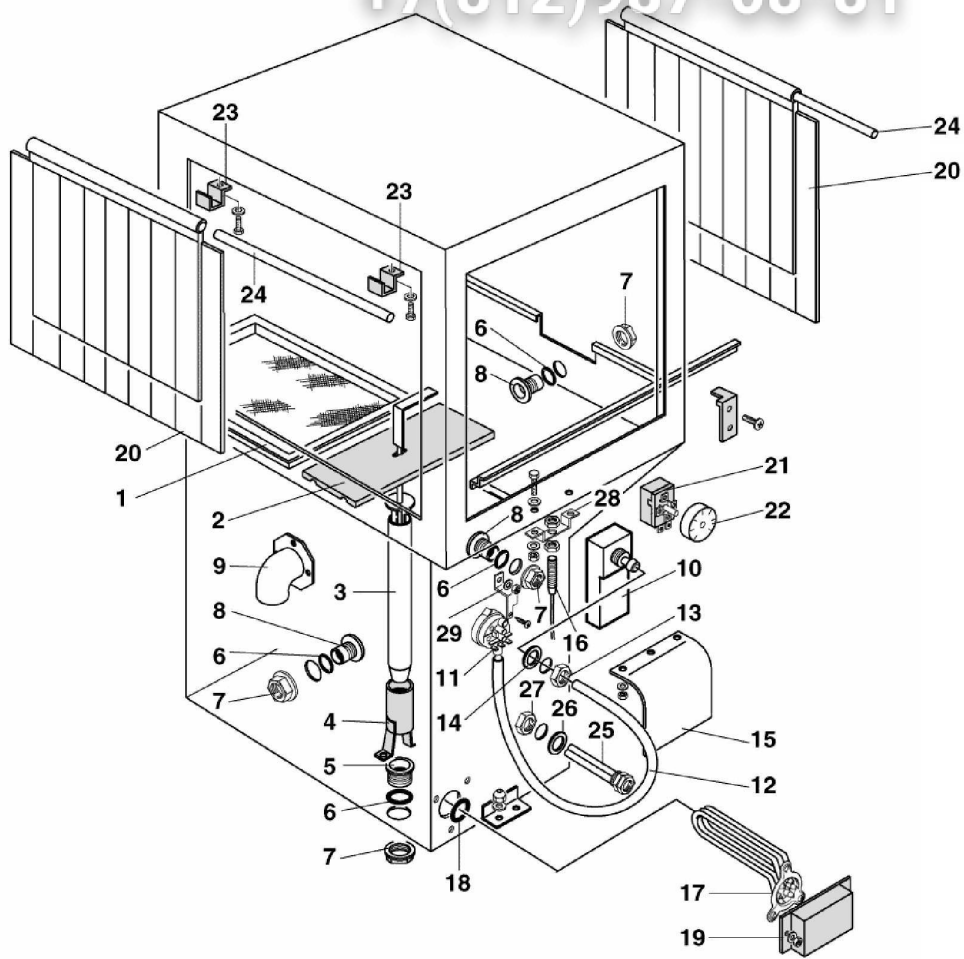
+7(812)987-08-81



Зип Ощепит

vsezip.ru

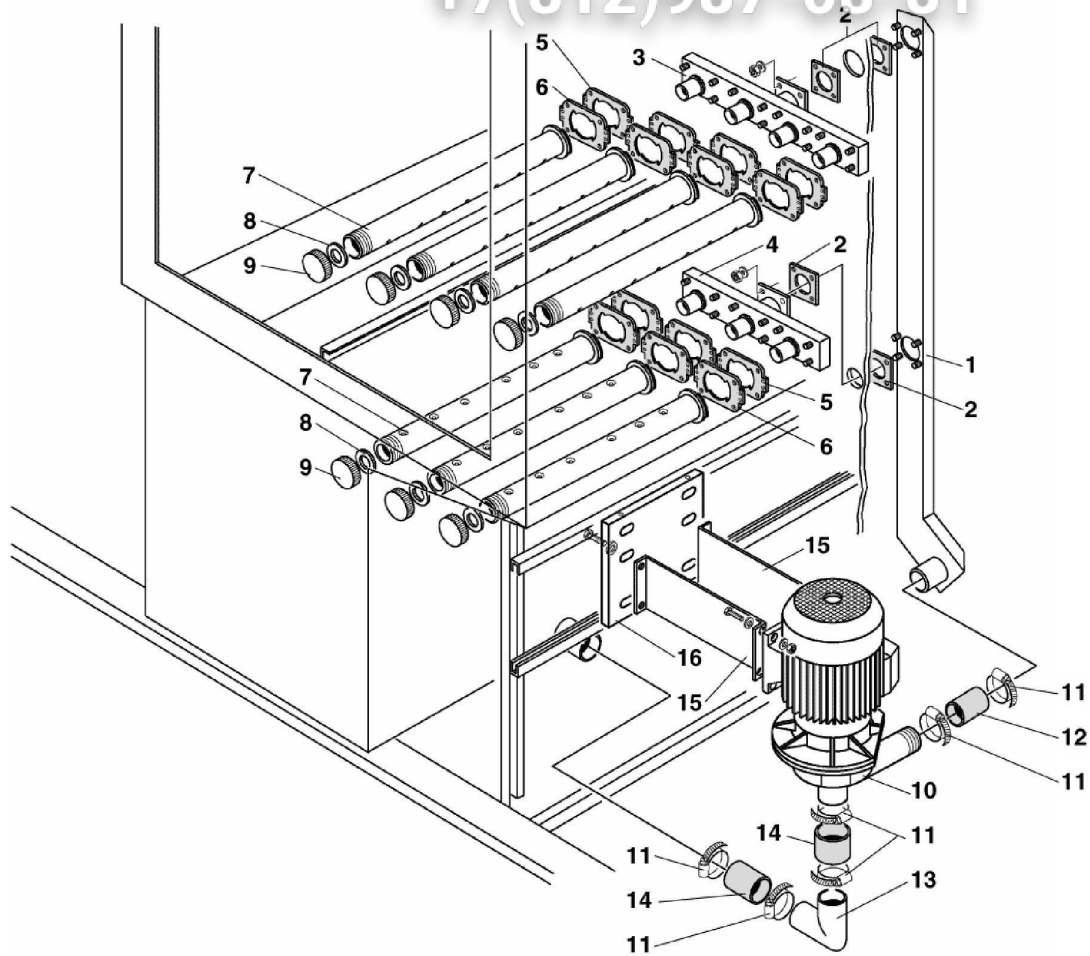
+7(812)987-08-81



Зип Ощепит

vsezip.ru

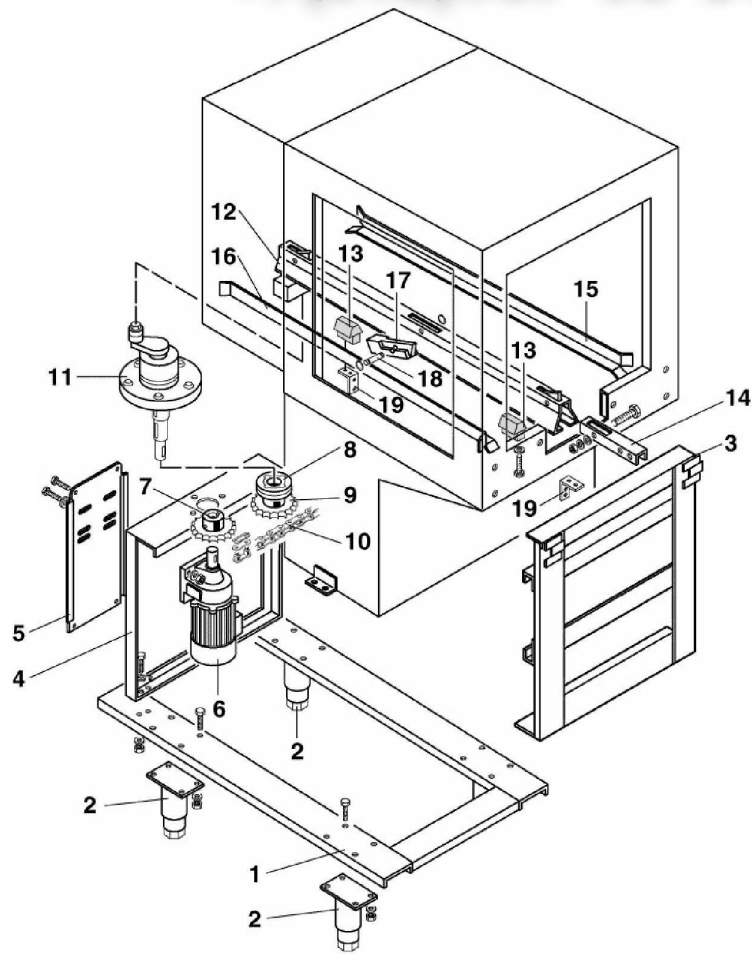
+7(812)987-08-81



Зип Общепит

vsezip.ru

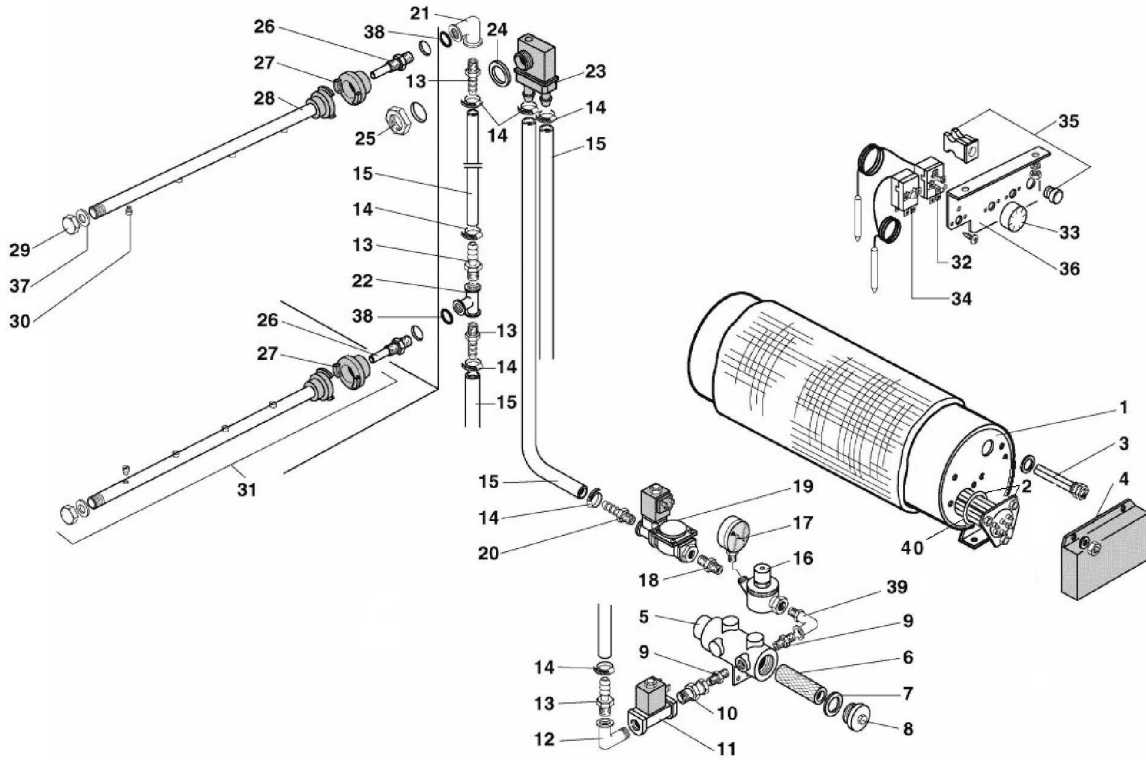
+7(812)987-08-81



Зип Ощепит

vsezip.ru

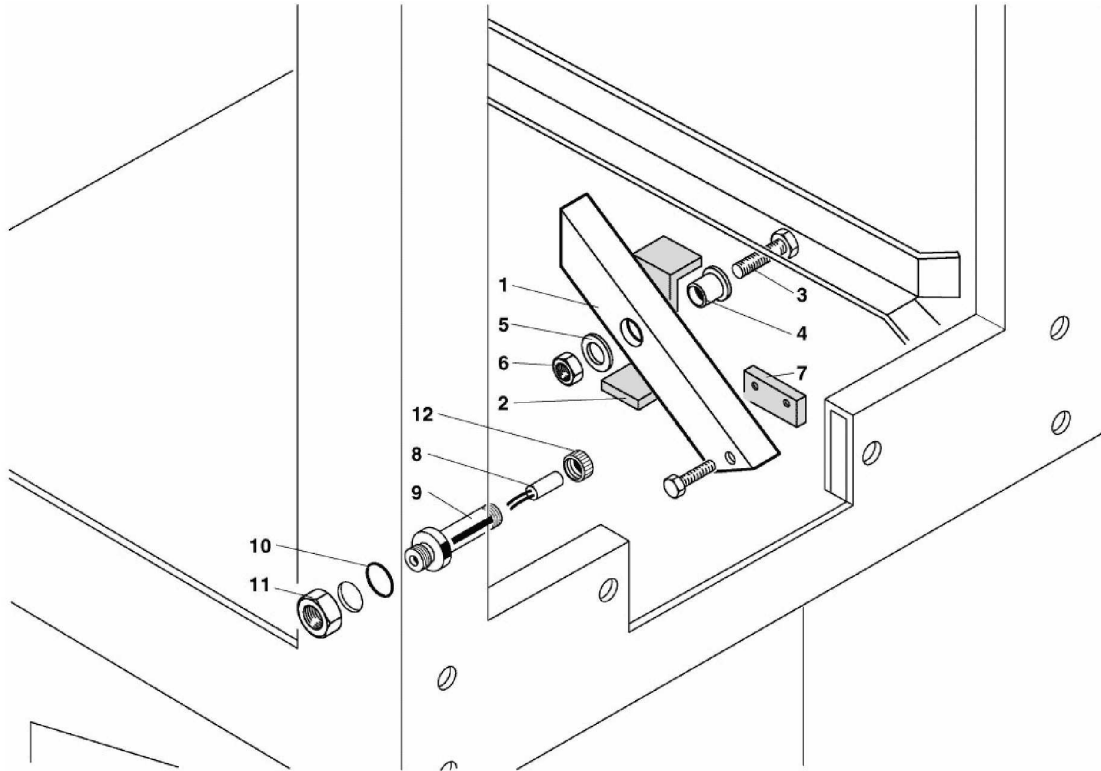
+7(812)987-08-81



Зип Общепит

vsezip.ru

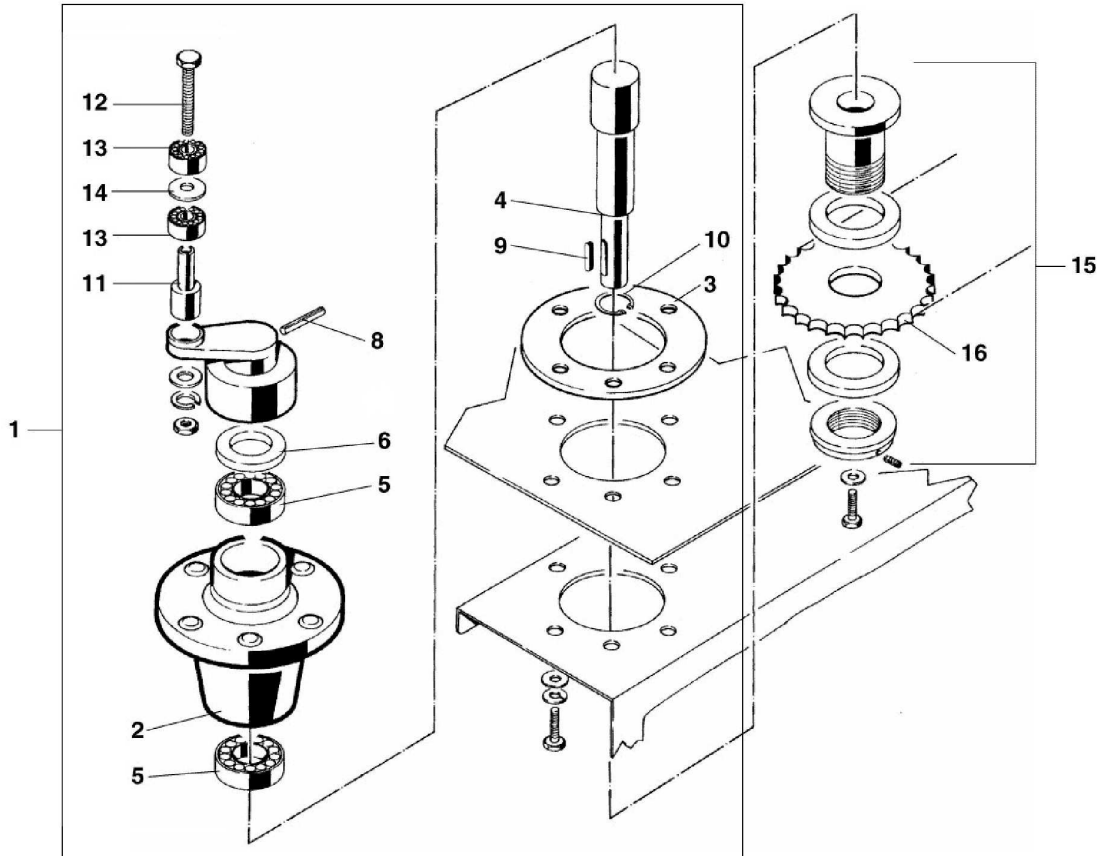
+7(812)987-08-81



Зип Общепит

vsezip.ru

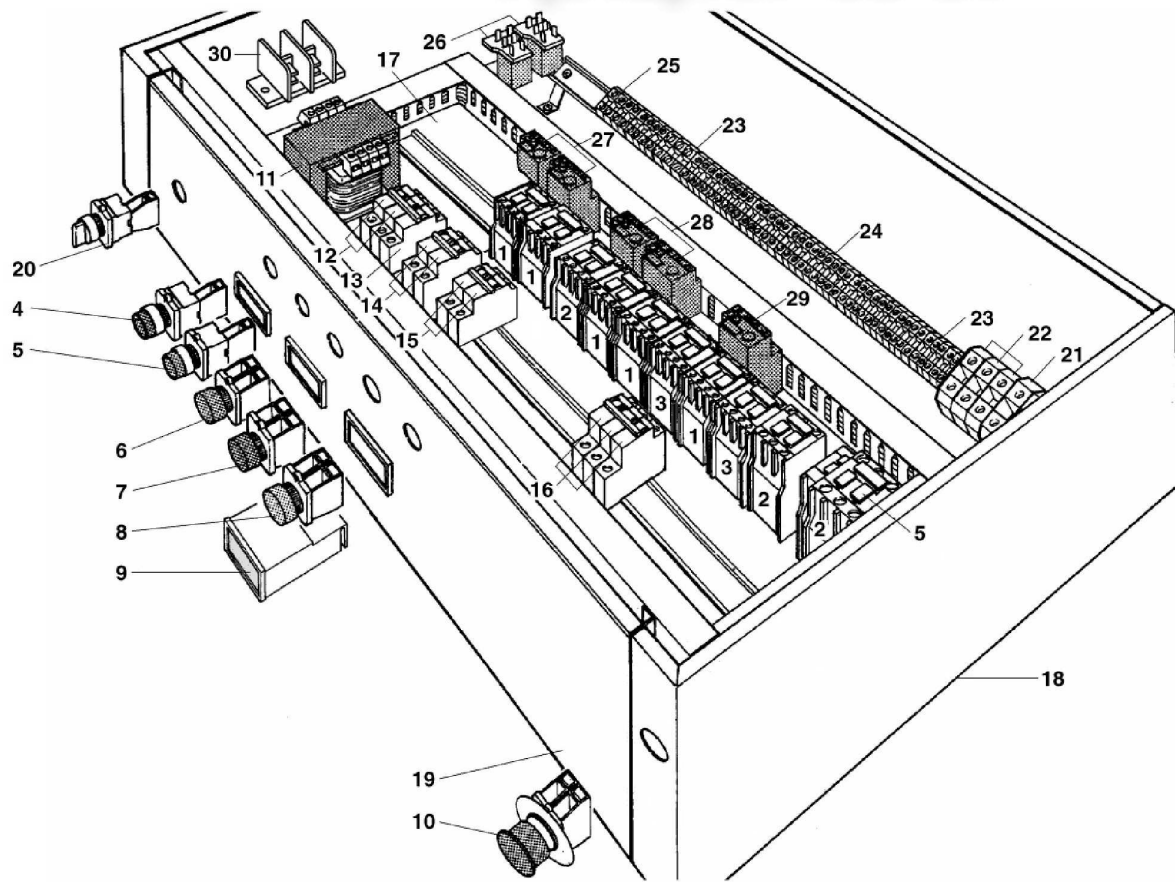
+7(812)987-08-81



Зип Общепит

vsezip.ru

+7(812)987-08-81



| Page | Pos | Code | Description | Info |
|------|-----|---------------|---------------------------|-------------|
| 002 | 001 | C165D-Pos.001 | HOOD | 01/12/1999- |
| 002 | 002 | C165D-Pos.002 | HOOD | 01/12/1999- |
| 002 | 003 | C165D-Pos.003 | FRAME | 01/12/1999- |
| 002 | 004 | 36Q0940 | STAINLESS STEEL FOOT | 01/12/1999- |
| 002 | 005 | C165D-Pos.005 | TANK SUPPORT FRAME | 01/12/1999- |
| 002 | 006 | C165D-Pos.006 | SPEED REDUCER SUPPORT | 01/12/1999- |
| 002 | 007 | C165D-Pos.007 | INTERMEDIATE PANEL | 01/12/1999- |
| 002 | 008 | 3024060 | FRONT PANEL WASHING TAN | 01/12/1999- |
| 002 | 009 | C165D-Pos.009 | SIDE PANEL | 01/12/1999- |
| 002 | 010 | 3008030 | BACK PANEL WASHING | 01/12/1999- |
| 002 | 011 | C165D-Pos.011 | UPPER SIDE PANEL | 01/12/1999- |
| 002 | 012 | C165D-Pos.012 | BACK PANEL RINSE | 01/12/1999- |
| 002 | 013 | 3024070 | FRONT PANEL | 01/12/1999- |
| 003 | 001 | 30G3380 | DOOR | 01/12/1999- |
| 003 | 002 | 3081360 | GUIDE | 01/12/1999- |
| 003 | 003 | 3042800 | SPRAY-GUARD | 01/12/1999- |
| 003 | 004 | 35W0670 | COVER MAGNET | 01/12/1999- |
| 003 | 005 | 36U0180 | SAFETY DOOR CATCH | 01/12/1999- |
| 003 | 007 | 36G8740 | SPRING | 01/12/1999- |
| 003 | 010 | 3AT1470 | SPRING LOCK | 01/12/1999- |
| 003 | 011 | 3027270 | BRACKET CURTAIN | 01/12/1999- |
| 003 | 012 | 3037880 | BRACKET CURTAIN | 01/12/1999- |
| 004 | 001 | 30Q2810 | FILTER 330x255 | 01/01/2000- |
| 004 | 002 | 3041300 | CROSS PIECE | 01/12/1999- |
| 004 | 003 | 33D2880 | RODDED OVERFLOW H=430 | 01/12/1999- |
| 004 | 004 | 30T2720 | OVER FLOW GUIDE | 01/12/1999- |
| 004 | 005 | 33Q4740 | "DRAIN CONNECTION 1""1/4" | 01/12/1999- |
| 004 | 006 | 3151930 | O-RING | 01/12/1999- |
| 004 | 007 | 33Q2160 | RING NUT | 01/12/1999- |
| 004 | 008 | 33Q2290 | "DRAIN CONNECTION 1""1/4" | 01/12/1999- |
| 004 | 009 | 33Q4290 | ONTAKE PIPE FITTING | 01/12/1999- |
| 004 | 010 | 33D1390 | AIR TRAP | 01/12/1999- |
| 004 | 011 | 32V1870 | PRESSURE-SWITCH 35/90 | 07/01/2015- |
| 004 | 012 | 131AA08 | HOSE | 01/12/1999- |
| 004 | 013 | 33Q2190 | RING NUT | 01/12/1999- |
| 004 | 014 | 3151890 | GASKET | 01/12/1999- |
| 004 | 015 | C165D-Pos.015 | RUBBER COVER | 01/12/1999- |
| 004 | 016 | 32Z8650 | MAGNETIC REED | 01/12/1999- |
| 004 | 017 | 32G2170 | HEATING ELEMENT 8000W | 01/12/1999- |
| 004 | 018 | 3152160 | OR RING | 01/12/1999- |
| 004 | 019 | 3FL0216 | HEATING COVER | 01/12/1999- |
| 004 | 020 | 36Z0720 | SPLASH GUARD | 01/12/1999- |
| 004 | 021 | 32Z8840 | THERMOSTAT 30-90C | 01/01/2004- |
| 004 | 022 | 36M2830 | HANDLE | 01/12/1999- |
| 004 | 023 | 3037880 | BRACKET CURTAIN | 01/12/1999- |
| 004 | 024 | 36G7580 | SHAFT | 01/12/1999- |
| 004 | 025 | 30Q1070 | BULB HOLDER | 01/12/1999- |
| 004 | 026 | 37Q2840 | GASKET | 01/12/1999- |
| 004 | 027 | 3201840 | LOCK NUT 1/2" | 01/12/1999- |
| 004 | 028 | 35Q9260 | REED BRACKET | 01/12/1999- |
| 004 | 029 | C165D-Pos.029 | PRESSURE SWITCH SUPP. | 01/12/1999- |

| Page | Pos | Code | Description | Info |
|------|-----|---------------|-----------------------------------|-------------|
| 005 | 001 | C165D-Pos.001 | WASHING PIPE | 01/12/1999- |
| 005 | 002 | 3151900 | GASKET | 01/12/1999- |
| 005 | 003 | 30Z2650 | UPPER WASHING PIPE | 01/12/1999- |
| 005 | 004 | 30Z2660 | LOWER WASHING PIPE | 01/12/1999- |
| 005 | 005 | 36G9390 | FLANGE | 01/12/1999- |
| 005 | 006 | 36G9400 | FLANGE COUPLING | 01/12/1999- |
| 005 | 007 | 30Z2670 | U/L WASHING PIPE | 01/12/1999- |
| 005 | 008 | 3152780 | GASKET | 01/01/2002- |
| 005 | 009 | 36Q1930 | PLUG INOX | 01/01/2002- |
| 005 | 010 | 32M4830 | PUMP | 01/12/1999- |
| 005 | 011 | 3022220 | CLAMP | 01/12/1999- |
| 005 | 012 | 33M1330 | OUTLET ELBOW L=170 Ø150 ØE60 | 01/12/1999- |
| 005 | 013 | 33M1290 | RUBBER INTAKE PIPE FITTING | 01/01/2004- |
| 005 | 014 | 33M1450 | ELBOW L=170 Ø160 ØE70 | 01/12/1999- |
| 005 | 015 | C165D-Pos.015 | SPACER | 01/12/1999- |
| 005 | 016 | 3022210 | PLATE | 01/12/1999- |
| 006 | 001 | C165D-Pos.001 | FRAME | 01/12/1999- |
| 006 | 002 | 36Q0940 | STAINLESS STEEL FOOT | 01/12/1999- |
| 006 | 003 | C165D-Pos.003 | TANK SUPPORT FRAME | 01/12/1999- |
| 006 | 004 | C165D-Pos.004 | SPEED REDUCER SUPPORT | 01/12/1999- |
| 006 | 005 | C165D-Pos.005 | SPEED REDUCER PLATE | 01/12/1999- |
| 006 | 006 | 32M4850 | SPEED REDUCER | 01/12/1999- |
| 006 | 006 | 32M4880 | SPEED REDUCER | 01/12/1999- |
| 006 | 007 | 3245300 | SPROCKET Z14 | 01/12/1999- |
| 006 | 007 | 36G7700 | SPROCKET | 01/12/1999- |
| 006 | 007 | 36G7710 | SPROCKET | 01/12/1999- |
| 006 | 008 | 36G7540 | TORQUE LIMITER | 01/12/1999- |
| 006 | 009 | 36G7690 | GEAR | 01/12/1999- |
| 006 | 010 | 36G8330 | "CHAIN P= 1/2"" (C304+CS243+CS37" | 01/12/1999- |
| 006 | 010 | 36G8880 | "CHAIN P= 1/2"" (C165/C92)" | 01/12/1999- |
| 006 | 010 | 36G8890 | CHAIN (C207) | 01/12/1999- |
| 006 | 011 | 36G7590 | TOWING GEAR | 01/12/1999- |
| 006 | 012 | 3033820 | PAWL BAR | 01/12/1999- |
| 006 | 013 | 30T3390 | GUIDE SUPPORT | 01/12/1999- |
| 006 | 014 | 3033830 | CONNECTION GUIDE | 01/12/1999- |
| 006 | 015 | 30T7240 | RIGHT BASKET GUIDE | 01/12/1999- |
| 006 | 016 | 30T7250 | LEFT BASKET GUIDE | 01/12/1999- |
| 006 | 017 | 36G7550 | PAWL | 01/12/1999- |
| 006 | 018 | 33Q2830 | PIN | 01/12/1999- |
| 006 | 019 | C165D-Pos.019 | CENTRAL STANCHION | 01/12/1999- |
| 007 | 001 | 34A2170 | BOILER 13.8 LTRS. | 01/12/1999- |
| 007 | 002 | 32G2840 | HEATING ELEMENT | 01/12/1999- |
| 007 | 003 | 30Q1070 | BULB HOLDER | 01/12/1999- |
| 007 | 004 | 30Q2610 | HEATING COVER | 01/12/1999- |
| 007 | 005 | 30Q1490 | FILTER | 01/12/1999- |
| 007 | 006 | 30Q1290 | FILTER | 01/12/1999- |
| 007 | 007 | 3044690 | GASKET | 01/12/1999- |
| 007 | 008 | 3044700 | PLUG | 01/12/1999- |
| 007 | 009 | 3071310 | "NIPPLE 1/2"" | 01/12/1999- |
| 007 | 010 | 3022550 | PIPE UNION 1/2" | 01/12/1999- |
| 007 | 011 | 33D1060 | "SOLENOID VALVE 1/2"" | 01/12/1999- |

| Page | Pos | Code | Description | Info |
|------|-----|---------------|-------------------------------|-------------|
| 007 | 012 | 3022560 | PIPE FITTING 1/2" | 01/12/1999- |
| 007 | 013 | 33Q4770 | PIPE FITTING 1/2" | 01/12/1999- |
| 007 | 014 | C165D-Pos.014 | CLAMP | 01/12/1999- |
| 007 | 015 | 33M1210 | RUBBER PIPE | 01/12/1999- |
| 007 | 016 | 33D3220 | "PRESSURE REDUCER 1/2"" | 01/12/1999- |
| 007 | 017 | 33D2090 | PRESSURE GANGE 0-4BAR Ø50 - 1 | 01/12/1999- |
| 007 | 018 | 3071290 | "NIPPLE 3/4""-1/2"" | 01/12/1999- |
| 007 | 019 | 33D1050 | "SOLENOID VALVE 3/4"" | 01/12/1999- |
| 007 | 020 | 3022540 | PIPE FITTING 3/4" | 01/12/1999- |
| 007 | 021 | 33Q4790 | "PIPE FITTING 1/2"" | 01/12/1999- |
| 007 | 022 | 33Q4780 | PIPE FITTING 1/2" | 01/12/1999- |
| 007 | 023 | 33D2100 | SAFETY VALVE | 01/09/2007- |
| 007 | 024 | 3152190 | GASKET | 01/12/1999- |
| 007 | 025 | 32D1140 | LOCK NUT | 01/12/1999- |
| 007 | 026 | 36G9860 | GUIDE FOR ARM | 01/12/1999- |
| 007 | 027 | 3029420 | QUICK COUPLER | 01/12/1999- |
| 007 | 028 | 3074610 | UPPER/LOWER RINSE ARM | 01/12/1999- |
| 007 | 029 | 36Q1900 | PLUG | 01/12/1999- |
| 007 | 030 | 33T2930 | NOZZLE | 01/12/1999- |
| 007 | 031 | 30Z1120 | UPPER RINSE ARM ASS.Y | 01/12/1999- |
| 007 | 032 | 32Z8840 | THERMOSTAT 30-90C | 01/01/2004- |
| 007 | 033 | 36M2830 | HANDLE | 01/12/1999- |
| 007 | 034 | 32Z8530 | SAFETY THERMOSTAT | 01/12/1999- |
| 007 | 035 | 3106740 | PUSH BUTTON | 01/12/1999- |
| 007 | 036 | 3106750 | THERMOSTAT BRACKET | 01/12/1999- |
| 007 | 037 | 37Q4200 | GASKET | 01/12/1999- |
| 007 | 038 | 3152670 | GASKET | 01/12/1999- |
| 007 | 039 | 3071300 | "PIPE UNION 1/2"" | 01/12/1999- |
| 007 | 040 | 3204620 | OR GASKET | 01/12/1999- |
| 008 | 001 | 36H0780 | ACTUATOR | 01/12/1999- |
| 008 | 002 | 35U2230 | ECONOMISER BRACKET | 01/12/1999- |
| 008 | 003 | 31A9660 | SCREW | 01/12/1999- |
| 008 | 004 | 36G9450 | BEARING | 01/12/1999- |
| 008 | 005 | 3123670 | WASHER | 01/12/1999- |
| 008 | 006 | 3110050 | STEEL NUT M8X6.5 | 01/12/1999- |
| 008 | 007 | 32W0870 | MAGNET | 01/12/1999- |
| 008 | 008 | 32Z8650 | MAGNETIC REED | 01/12/1999- |
| 008 | 009 | 35W5190 | COVER MAGNET | 01/12/1999- |
| 008 | 010 | 3152170 | O-RING | 01/12/1999- |
| 008 | 011 | 33Q2190 | RING NUT | 01/12/1999- |
| 008 | 012 | 36R0030 | PLUG | 01/12/1999- |
| 009 | 001 | 36G7590 | TOWING GEAR | 01/12/1999- |
| 009 | 002 | 33Q2630 | HUB | 01/12/1999- |
| 009 | 003 | 37Q1640 | GASKET | 01/12/1999- |
| 009 | 004 | 33Q2350 | SHAFT | 01/12/1999- |
| 009 | 005 | 36G7500 | BALL BEARING | 01/12/1999- |
| 009 | 006 | 3151940 | SEAL | 01/12/1999- |
| 009 | 008 | 3022020 | ROLL PIN | 01/12/1999- |
| 009 | 009 | 3191110 | KEY 6X6X25 | 01/12/1999- |
| 009 | 010 | 3120950 | SEGER Ø20 | 01/12/1999- |
| 009 | 011 | 36H0210 | PIN | 01/12/1999- |

| Page | Pos | Code | Description | Info |
|------|-----|---------------|------------------------|-------------|
| 009 | 012 | 3104860 | STEEL SCREW M8x70 | 01/12/1999- |
| 009 | 013 | 36G7510 | BEARING | 01/12/1999- |
| 009 | 014 | 3120420 | WASHER | 01/12/1999- |
| 009 | 015 | 36G7540 | TORQUE LIMITER | 01/12/1999- |
| 009 | 016 | 36G7690 | GEAR | 01/12/1999- |
| 010 | 001 | 32Z8680 | CONTACTOR | 01/12/1999- |
| 010 | 002 | 3004890 | CONTACTOR | 01/12/1999- |
| 010 | 003 | 3059490 | CONTACTOR | 01/12/1999- |
| 010 | 004 | 32W4000 | STOP PUSH BUTTON | 01/12/1999- |
| 010 | 005 | 32W4010 | START PUSH BUTTON | 01/12/1999- |
| 010 | 006 | 32W1720 | GREEN LIGHT | 01/12/1999- |
| 010 | 007 | 32W1710 | RED LIGHT | 01/12/1999- |
| 010 | 008 | 32W1700 | YELLOW LIGHT | 01/12/1999- |
| 010 | 009 | 32Z8250 | DIGITAL THERMOMETER | 01/12/1999- |
| 010 | 010 | 32W1750 | MAIN STOP PUSH BUTTON | 01/12/1999- |
| 010 | 011 | 32Z8800 | TRANSFORMER | 01/12/1999- |
| 010 | 012 | 32Z9020 | SWITCH | 01/12/1999- |
| 010 | 013 | 32Z9040 | SWITCH | 01/12/1999- |
| 010 | 014 | 32Z8580 | MAIN SWITCH | 01/12/1999- |
| 010 | 015 | 32Z8600 | MAIN SWITCH | 01/12/1999- |
| 010 | 016 | 32Z8590 | MAIN SWITCH | 01/12/1999- |
| 010 | 017 | C165D-Pos.017 | ELECTRIC COMP. SUPPORT | 01/12/1999- |
| 010 | 018 | C165D-Pos.018 | CABINET | 01/12/1999- |
| 010 | 019 | C165D-Pos.019 | CONTROL PANEL | 01/12/1999- |
| 010 | 020 | 32Z8670 | SWITCH | 01/12/1999- |
| 010 | 021 | 3069840 | TERMINAL BOARD | 01/12/1999- |
| 010 | 022 | 3002540 | TERMINAL | 01/12/1999- |
| 010 | 023 | 32V4940 | TERMINAL 10 mm | 01/12/1999- |
| 010 | 024 | 3246960 | TERMINAL | 01/12/1999- |
| 010 | 025 | C165D-Pos.025 | TERMINAL | 01/12/1999- |
| 010 | 026 | 32Z8640 | RELAY | 01/12/1999- |
| 010 | 027 | 32Z8740 | OVERLOAD RELAY 1,25÷2A | 01/12/1999- |
| 010 | 028 | 32Z8710 | OVERLOAD RELAY | 01/12/1999- |
| 010 | 029 | 32Z8780 | OVERLOAD RELAY 4- 6A | 01/12/1999- |
| 010 | 030 | C165D-Pos.030 | TERMINAL | 01/12/1999- |