

Зип Общепит

vsezip.ru

+7(812)987-08-81



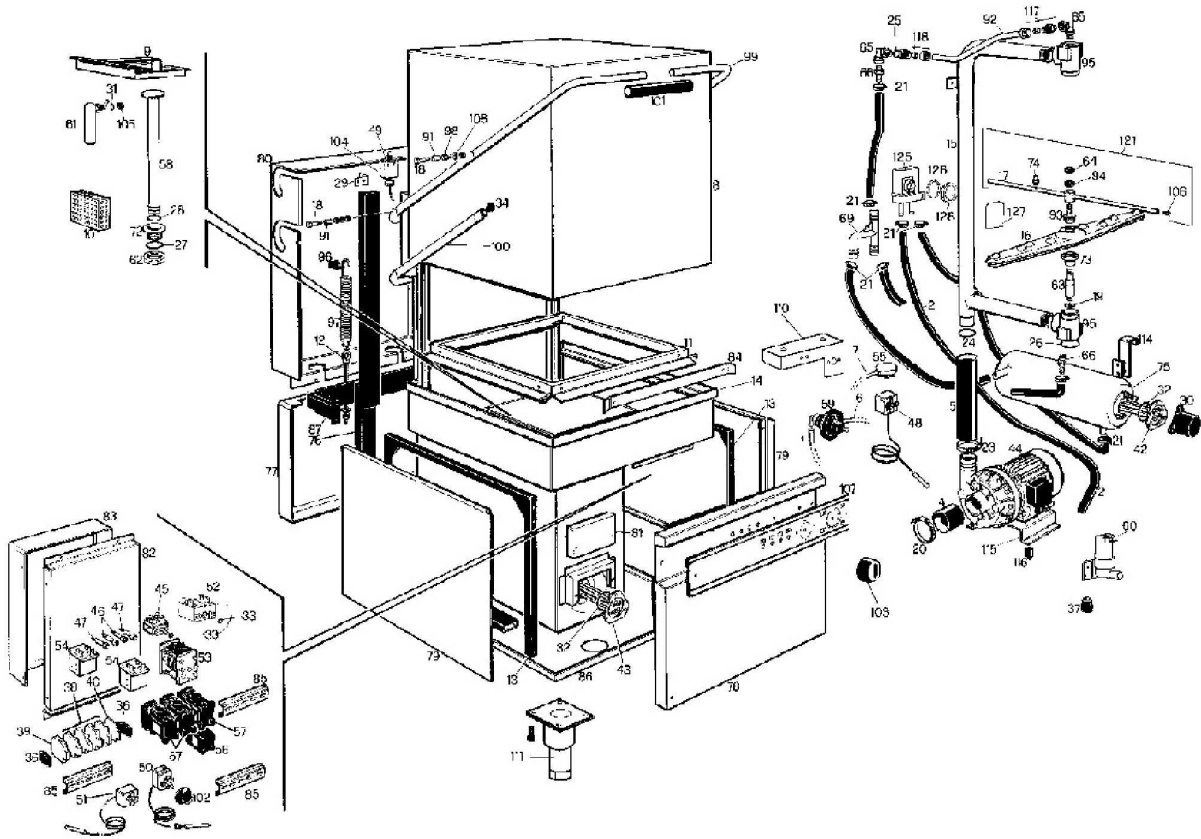
L100

Edition 20070523-

Зип Ощепит

vsezip.ru

+7(812)987-08-81



| Pos | Code | Description | Info |
|-----|---------|-------------------------|-------------|
| 001 | 111AA09 | PROTECTION PIPE | 01/04/1997- |
| 002 | 131AA14 | RUBBER HOSE Ø20x13 | 01/04/1997- |
| 004 | 33M0600 | PIPE | 01/04/1997- |
| 005 | 111AA08 | RUBBER HOSE Ø60 Ø50 | 01/04/1997- |
| 006 | 111AA15 | PIPE Ø13-Ø8 | 01/04/1997- |
| 007 | 131AA08 | HOSE | 01/04/1997- |
| 008 | 30M3280 | HOOD ASS.Y | 01/04/1997- |
| 009 | 30G0140 | FILTER | 01/04/1997- |
| 010 | 30G0150 | FILTER | 01/04/1997- |
| 011 | 30M0150 | BASKET FRAME ASS.Y | 01/04/1997- |
| 012 | 30T0490 | SPRING TIE-ROD | 01/04/1997- |
| 013 | 30T0730 | SIDE FRAME ASS.Y | 01/04/1997- |
| 014 | 30W0800 | TANK ASS.Y | 01/04/1997- |
| 015 | 30Z0110 | WASHING PIPE ASS.Y | 01/04/1997- |
| 016 | 30Z7330 | RINSING ARM | 01/04/1997- |
| 017 | 3031670 | RINSE ARM + INJECTOR | 01/04/2004- |
| 018 | 3100100 | PIN CH.17 M6 | 01/04/1997- |
| 019 | 3128450 | WASHER | 01/04/1997- |
| 020 | 3140200 | PIPE CLAMP 60-80 | 01/04/1997- |
| 021 | 3140130 | PIPE CLAMP | 01/04/1997- |
| 023 | 3140160 | CLAMP Ø55 Ø70 | 01/04/1997- |
| 024 | 3150110 | "O" RING | 01/04/1997- |
| 025 | 3150060 | GASKET | 01/04/1997- |
| 026 | 3150140 | "O" RING | 01/04/1997- |
| 027 | 3150240 | "OR"GASKET | 01/04/1997- |
| 028 | 3150260 | "O" RING | 01/04/1997- |
| 029 | 35S2140 | SUPPORT | 01/04/1997- |
| 030 | 3150321 | HEAT.ELEM.PROTECTION | 01/04/1997- |
| 031 | 3150410 | "O" RING Ø 18.72 | 01/04/1997- |
| 032 | 3150430 | "O" RING Ø 56.52 | 01/04/1997- |
| 033 | 3150790 | THERMOSTAT PROTECT. | 01/04/1997- |
| 034 | 3170010 | PLUG | 01/04/1997- |
| 036 | 32D1220 | TERMINAL CLAMPING BOARD | 01/04/1997- |
| 037 | 32D0220 | CABLE CLAMP Ø 16 | 01/04/1997- |
| 038 | 32D0950 | LIVE TERMINAL | 01/04/1997- |
| 039 | 32D0970 | GROUND TERMINAL | 01/04/1997- |
| 040 | 32D0960 | TERMINAL END COVER | 01/04/1997- |
| 042 | 32G0420 | HEATING EL. 6000W | 01/04/1997- |
| 043 | 32G0380 | HEATING ELEMENT | 01/04/1997- |
| 044 | 32M1480 | MOTOR PUMP 1.472KW. | 01/04/1997- |
| 044 | 32M1600 | MOTOR PUMP 1.472KW | 01/04/1997- |
| 044 | 32M2020 | MOTOR PUMP 1.472KW | 01/04/1997- |
| 045 | 32W0490 | SWITCH | 01/04/1997- |
| 046 | 3106730 | ORANGE LIGHT 230V | 23/05/2007- |
| 047 | 3106710 | GREEN LIGHT 230V | 23/05/2007- |
| 048 | 32Z2011 | SAFETY THERMOSTAT | 01/04/1997- |
| 049 | 32W3251 | PROTECTED MICROSWITCH | 01/04/1997- |
| 050 | 32Z0160 | THERMOSTAT 30-90°C | 01/04/1997- |
| 051 | 32Z2430 | THERMOSTAT | 01/04/1997- |
| 052 | 32W0980 | SWITCH | 01/04/1997- |
| 053 | 32Z8430 | PROGRAMMER | 01/04/1997- |

| Pos | Code | Description | Info |
|-----|---------|----------------------------|-------------|
| 054 | 32Z2000 | RELAY | 01/04/1997- |
| 055 | 32Z0860 | PRESSURE-SWITCH | 01/04/1997- |
| 056 | 32Z9540 | RELAY | 01/04/1997- |
| 057 | 32Z9570 | RELAY | 01/04/1997- |
| 058 | 33D0050 | OVERFLOW ASS.Y 431 MM | 01/04/1997- |
| 059 | 33D0061 | DISPENSER | 01/04/1997- |
| 060 | 33D1371 | INLET WATER SOLENOID VALVE | 01/04/1997- |
| 061 | 33D0360 | PRESSURE SWITCH | 01/04/1997- |
| 062 | 33Q0240 | NUT 1 1/2" | 01/04/1997- |
| 063 | 33Q0420 | RINSE JOINT PIPE | 01/04/1997- |
| 064 | 33Q0510 | RING NUT | 01/04/1997- |
| 065 | 33Q0570 | ELBOW MF 1/2 | 01/04/1997- |
| 066 | 33Q5100 | PIPE FITTING | 01/04/1997- |
| 067 | 33Q0600 | ELBOW | 01/04/1997- |
| 069 | 33M0580 | RINSE COUPLING | 01/04/1997- |
| 072 | 33Q3050 | OVER FLOW DRAIN. | 01/04/1997- |
| 073 | 33Q3380 | RINSE ARM. MUB | 01/04/1997- |
| 074 | 33T1121 | NOZZLE | 01/04/1997- |
| 075 | 34A0560 | BOILER 9 LTRS | 01/04/1997- |
| 076 | 35A1020 | UPRIGHT SECTION | 01/04/1997- |
| 077 | 35A1231 | REAR PANEL | 01/04/1997- |
| 078 | 35A1451 | FRONT PANEL | 01/04/1997- |
| 079 | 35A1470 | SIDE PANEL | 01/04/1997- |
| 080 | 35A1531 | TOP REAR PANEL | 01/04/1997- |
| 081 | 35G0170 | ELEMENT COVER | 01/04/1997- |
| 082 | 35Q2250 | ELECTRIC BOX | 01/04/1997- |
| 083 | 35Q0530 | EL. BOX PROTECTION | 01/04/1997- |
| 084 | 35T0180 | BASKET GUIDE | 01/04/1997- |
| 085 | 32D0630 | "OMEGA" BRACKET | 01/04/1997- |
| 086 | 35S9501 | BASE | 01/04/1997- |
| 087 | 35T2720 | REAR CROSS MEMBER | 01/04/1997- |
| 091 | 35Z0770 | PIPE | 01/04/1997- |
| 092 | 35Z9970 | UPPER RINSE ARM PIPE | 01/04/1997- |
| 093 | 36D0720 | RINSE HUB | 01/04/1997- |
| 094 | 36D0740 | BUSHING | 01/04/1997- |
| 095 | 36D4050 | WASHING SUPPORT | 01/04/1997- |
| 096 | 36G0210 | SPRING HOLDER | 01/04/1997- |
| 097 | 36G0220 | SPRING | 01/04/1997- |
| 098 | 36G0230 | BUSHING | 01/04/1997- |
| 099 | 36M0200 | HANDLE | 01/04/1997- |
| 100 | 36M0450 | SPRING ATTACHMENT | 01/04/1997- |
| 101 | 36M0530 | HANDLE | 01/04/1997- |
| 102 | 36M0700 | HANDLE | 01/04/1997- |
| 103 | 36M1511 | HANDLE | 01/04/1997- |
| 104 | 32D0610 | GROMMET | 01/04/1997- |
| 105 | 3117580 | LOCK NUT | 01/04/1997- |
| 106 | 36Q0180 | PLUG | 01/04/1997- |
| 107 | 37M7460 | CONTROL PANEL | 01/04/1997- |
| 108 | 37Q0530 | GASKET | 01/04/1997- |
| 110 | 35S2100 | SUPPORT | 01/04/1997- |
| 111 | 36C2740 | STAINLESS STEEL FOOT ASS.Y | 01/04/1997- |

| Pos | Code | Description | Info |
|-----|---------|--------------------|-------------|
| 114 | 35T3040 | "C" BRACKET | 01/04/1997- |
| 115 | 35T2850 | MOTOR PUMP SUPPORT | 01/04/1997- |
| 116 | 36D1130 | SHOCK ABSORBER | 01/04/1997- |
| 117 | 33Q0650 | 1/2 M SHAPED UNION | 01/04/1997- |
| 118 | 33Q0740 | "FITTING F 1/2"" | 01/04/1997- |
| 121 | 6001920 | RINSING ARM ASS.Y | 01/04/1997- |
| 124 | 32Q3900 | L 80 EL.CABLE SET | 01/04/1997- |
| 125 | 33D0650 | NON-RETURN VALVE | 01/04/1997- |
| 126 | 37Q1320 | GASKET | 01/04/1997- |
| 127 | 33M0251 | GUARD | 01/04/1997- |
| 128 | 32D1140 | LOCK NUT | 01/04/1997- |