

Зип Общепит

vsezip.ru

+7(812)987-08-81



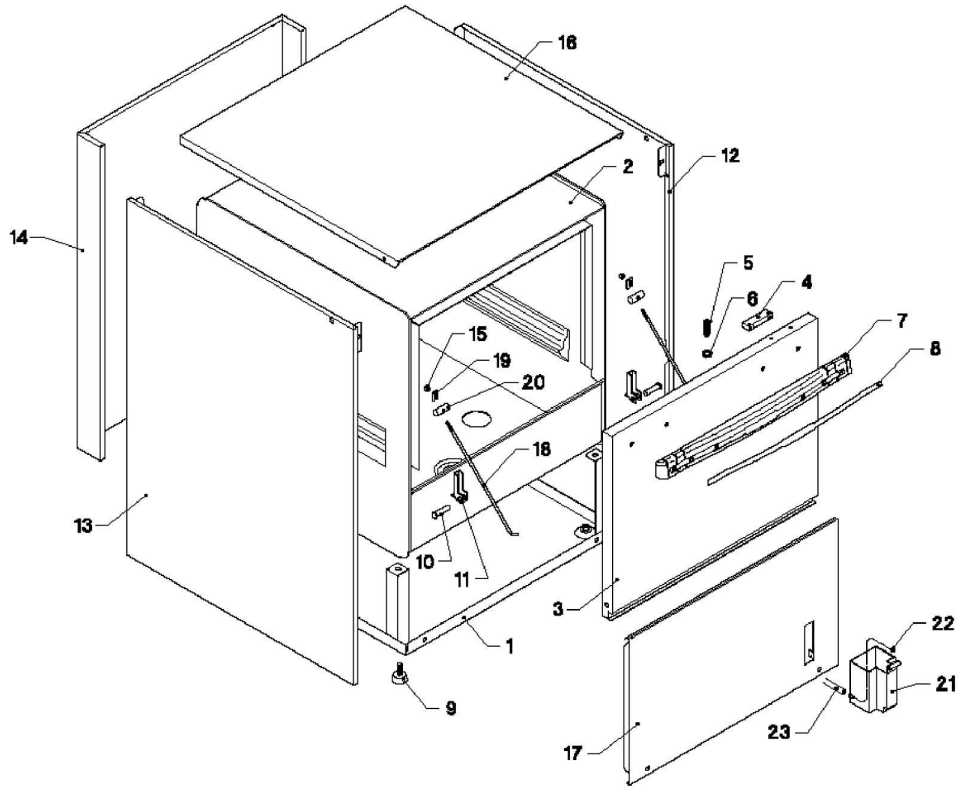
LF50E

Edition 20051201-20061231

Зип Общепит

vsezip.ru

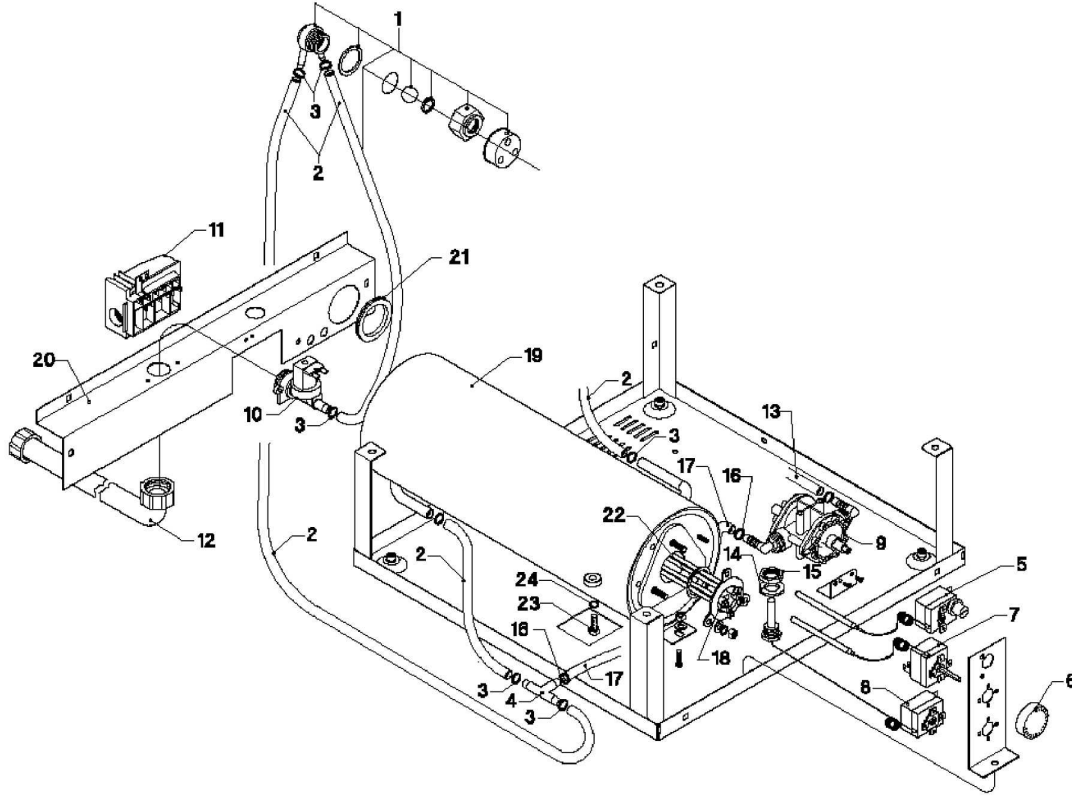
+7(812)987-08-81



Зип Общепит

vsezip.ru

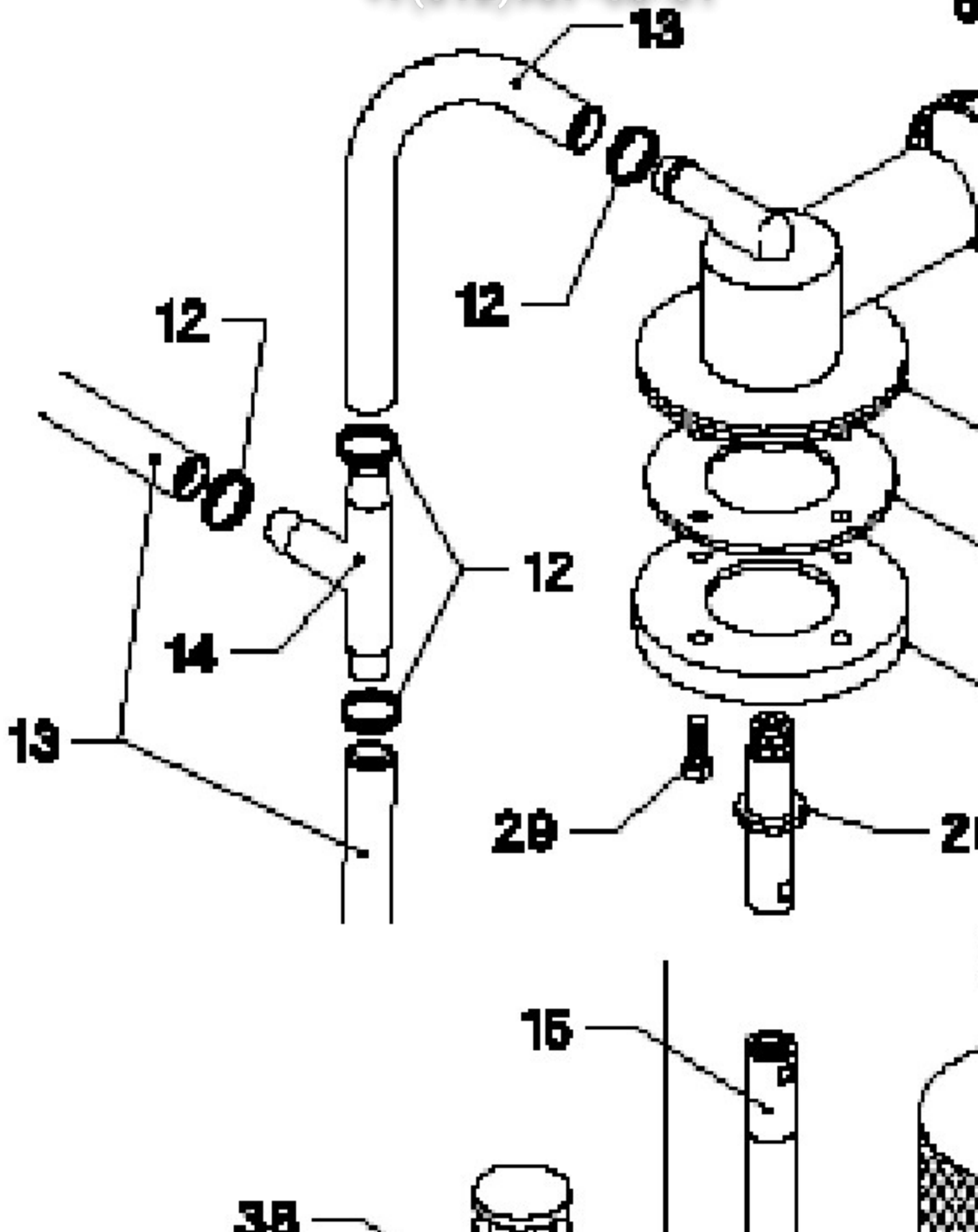
+7(812)987-08-81



Зип Общепит

vsezip.ru

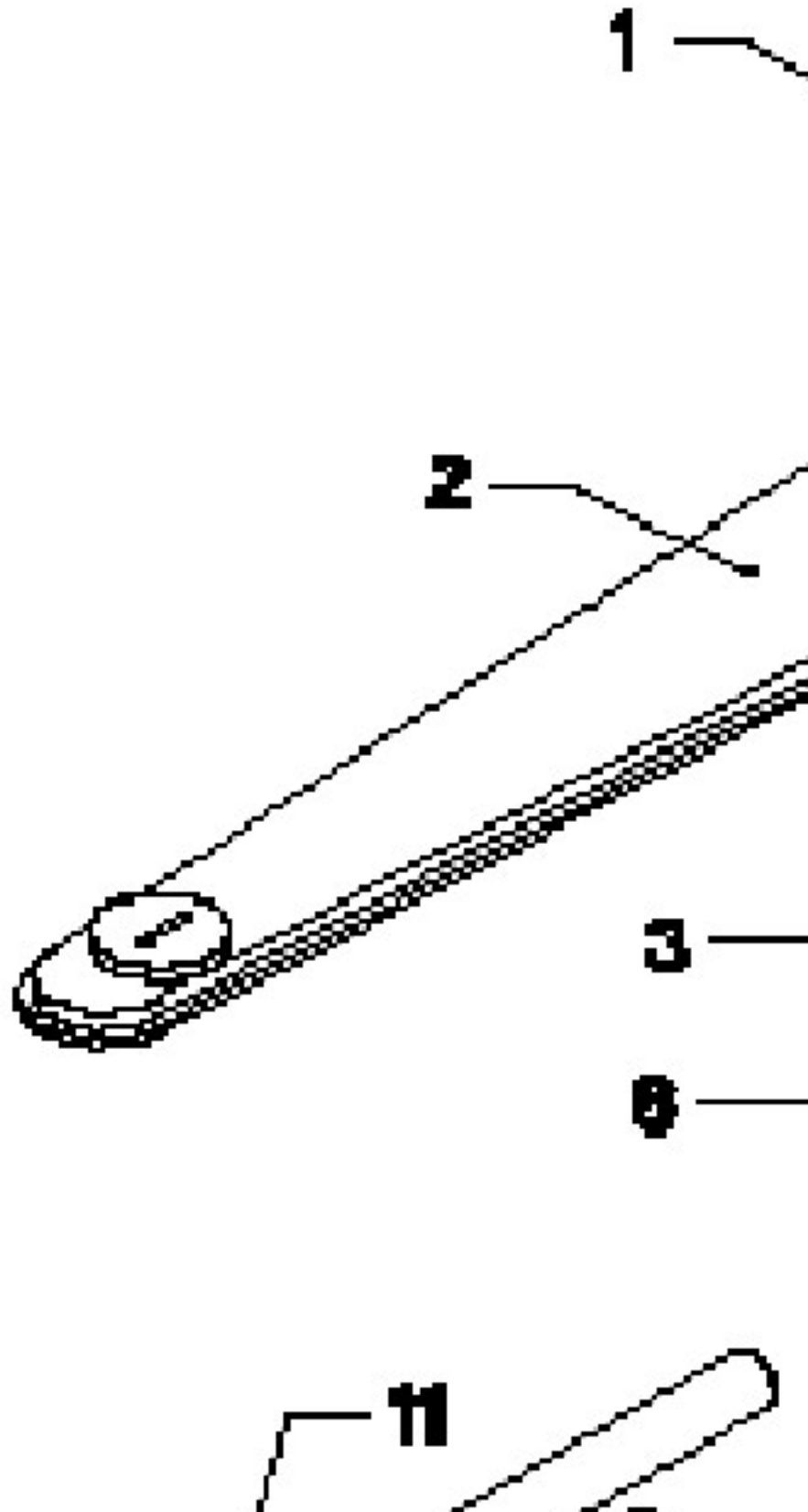
+7(812)987-08-81



Зип Общепит

vsezip.ru

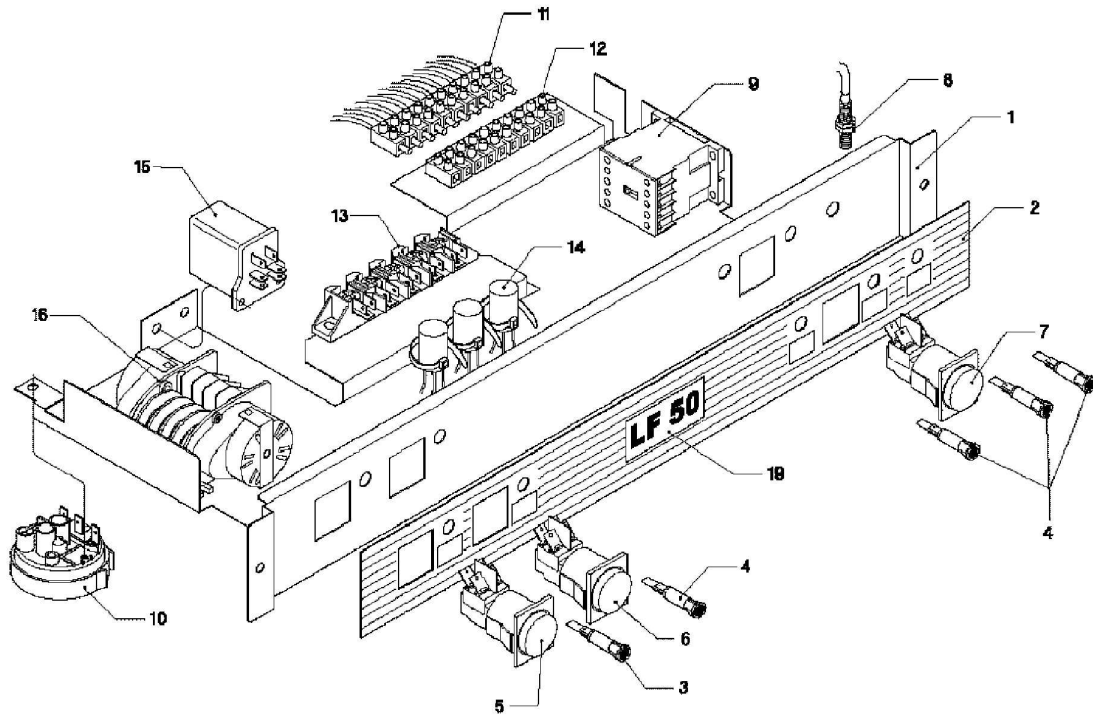
+7(812)987-08-81



Зип Общепит

vsezip.ru

+7(812)987-08-81



Page	Pos	Code	Description	Info
002	001	LF50E-Pos.001	BASE	01/01/2003-
002	002	3191250	TANK	01/01/2003-
002	003	3015060	DOOR	01/01/2003-
002	004	32W0870	MAGNET	01/01/2003-
002	005	31W0061	SPRING	01/01/2003-
002	006	3110250	NUT CATCH	01/01/2003-
002	007	36M7350	DOOR HANDLE	01/01/2003-
002	008	3242320	HANDLETRIM	01/01/2003-
002	009	36Q1600	FOOT	01/01/2003-31/08/2009
002	010	36G9150	DOOR PIN	01/01/2003-
002	011	36M6230	DOOR HINGE	01/01/2003-
002	012	3021440	RIGHT PANEL	01/01/2003-
002	013	3021430	LEFT PANEL	01/01/2003-
002	014	3025830	BACK PANEL	01/01/2003-
002	015	3113200	NUT	01/01/2003-
002	016	3027830	UPPER SIDE PANEL	01/01/2003-
002	017	3209600	LOWER PANEL	01/01/2003-
002	018	36H0670	DOOR SCREW STAY	01/01/2003-
002	019	35Z5530	PLATE	01/01/2003-
002	020	3AT1410	DOOR SUPPORT	01/01/2003-
002	021	36A4160	RINSE-AID BOX	01/01/2003-
002	022	30Q1450	FILTER	01/01/2003-
002	023	111AA09	PROTECTION PIPE	01/01/2003-
003	001	33D2330	NON-RETURN VALVE + NUT	01/01/2003-31/08/2007
003	002	33M1300	RUBBER HOSE	01/01/2003-
003	003	3140230	12/20 PIPE CLAMP	01/01/2003-
003	004	33Q4150	PIPE FITTING	01/01/2003-
003	005	32Z8830	SAFETY THERMOSTAT	01/01/2003-
003	006	36M2830	HANDLE	01/01/2003-
003	007	32Z8840	THERMOSTAT 30-90C	01/01/2003-
003	008	32V2630	TANK THERMOSTAT	01/01/2003-
003	009	33D2300	LANG DISPENSER	01/01/2003-
003	010	33D2310	SOLENOID VALVE	01/01/2003-
003	011	3008130	TERMINAL BOARD	01/01/2003-
003	012	33M0350	PIPE	01/01/2003-
003	013	111AA09	PROTECTION PIPE	01/01/2003-
003	014	3037870	GASKET	01/01/2003-
003	015	33Q2190	RING NUT	01/01/2003-
003	016	LF50E-Pos.016	CLAMP	01/01/2003-
003	017	33M1310	RUBBER PIPE	01/01/2003-
003	018	32G2140	HEATING EL.	01/01/2003-
003	019	34A1950	BOILER	01/01/2003-
003	020	LF50E-Pos.020	BEARING ELECTRIC VALVE	01/01/2003-
003	021	LF50E-Pos.021	FAIRLEAD	01/01/2003-
003	022	3152160	OR RING	01/01/2003-
003	023	LF50E-Pos.023	SCREW	01/01/2003-
003	024	3152420	O-RING	01/01/2003-
004	001	3070360	HEATING ELEMENT 2500W	01/12/2005-31/05/2010
004	002	32M5770	PUMP	01/01/2003-
004	003	33M1270	OUTLET ELBOW	01/01/2003-
004	004	3190430	PRESSURE SWITCH PIPE	01/01/2003-

Page	Pos	Code	Description	Info
004	005	33Q2190	RING NUT	01/01/2003-
004	006	3065600	PIPE	01/01/2003-
004	007	33M1260	INTAKE PIPE FITTING	01/01/2003-30/06/2015
004	008	LF50E-Pos.008	CLAMP	01/01/2003-
004	009	3173700	CAPACITOR	01/01/2003-
004	010	3151890	GASKET	01/01/2003-
004	011	33M0510	AIR TRAP	01/01/2003-
004	012	3140230	12/20 PIPE CLAMP	01/01/2003-
004	013	33M1300	RUBBER HOSE	01/01/2003-
004	014	36G9050	PIPE FITTING	01/01/2003-
004	015	3092670	INFERIOR RINSE PIN	01/01/2003-
004	016	3070120	REDUCTION BUSH	01/01/2003-
004	017	3070540	WASHING INFER. PIPE FITTING	01/01/2003-
004	018	3065610	UPPER OUTLET PIPE	01/01/2003-
004	019	3056450	WASHING/RINSE HUB	01/01/2003-
004	020	33Q1090	PIN	01/01/2003-
004	021	33D3090	"DRAIN CONNECTION 1""1/4"	01/01/2003-31/12/2008
004	022	3151930	O-RING	01/01/2003-
004	023	33Q2160	RING NUT	01/01/2003-
004	024	3025010	SPACER	01/01/2003-
004	025	3029590	PIPE FOR OUTLET 90° Ø32	01/02/2004-
004	026	33M0130	WASHING/RINSE HUB	01/01/2003-
004	027	3150230	GASKET	01/01/2003-
004	028	33M0360	FLANGE	01/01/2003-
004	029	31A0560	STEEL SCREW M6X10	01/01/2003-
004	030	33Q4190	LOCK NUT	01/01/2003-
004	031	LF50E-Pos.031	CLAMP Ø 44÷56	01/01/2003-
004	032	3092680	WASHER	01/01/2003-
004	033	3095440	INTAKE PIPE FITTING COVER	01/01/2003-
004	034	3100110	RING NUT	01/01/2003-
004	035	30Q1330	FILTER	01/01/2003-
004	036	33Q4180	INTAKE PIPE FITTING ASS.Y	01/01/2003-
004	037	37Q4190	GASKET	01/01/2003-
004	038	33D3080	OVERFLOW	01/01/2003-
004	039	3152690	O RING	01/01/2003-
004	040	LF50E-Pos.040	SCREW M10X16	01/01/2003-
004	041	LF50E-Pos.041	WASHER	01/01/2003-
004	042	LF50E-Pos.042	GASKET	01/01/2003-
004	043	LF50E-Pos.043	NUT M10	01/01/2003-
005	001	33M0500	HUB+NUT	01/01/2003-
005	002	36G8540	WASH BLADES 495X58X16	01/01/2003-
005	003	36G9060	RINSE PIN	01/01/2003-
005	004	36G8550	RINSE HUB	01/01/2003-
005	005	33T2940	NOZZLE	01/01/2003-
005	006	31C0070	SCREW	01/01/2003-
005	007	3152180	O RING	01/01/2003-
005	008	36C3870	"PLUG FOR ARM + RING ""OR"""	01/01/2003-
005	009	33Q3710	RING NUT	01/01/2003-
005	010	35X4860	RIGHT RINSE ARM	01/01/2003-
005	011	35X4870	LEFT RINSE ARM	01/01/2003-
005	012	3152400	OO	01/01/2003-

Page	Pos	Code	Description	Info
005	013	30Z2680	WASHING ARM	01/01/2003-
005	014	30Z1491	COMPL. RINSE ARM	01/01/2003-
005	015	3011210	PLUG	01/01/2003-
005	016	LF50E-Pos.016	O-RING	01/01/2003-
006	001	LF50E-Pos.001	ELECTRIC PANEL	01/01/2003-
006	002	37N2740	PLATE	01/01/2003-
006	003	32W2140	LAMP	01/01/2003-
006	004	32W2130	LAMP	01/01/2003-
006	005	32V2030	SWITCH ON-OFF	01/01/2003-
006	006	32V2050	SWITCH	01/01/2003-
006	007	32V2040	WASHING PROGRAM SWITCH	01/01/2003-
006	008	32Z8650	MAGNETIC REED	01/01/2003-
006	009	32V0560	CONTACTOR	01/01/2003-
006	010	32Z8930	PRESSURE-SWITCH	01/01/2003-
006	011	3177480	20/40 TERMINAL BOARD	01/01/2003-
006	012	3177490	TERMINAL BOARD	01/01/2003-
006	013	32D1700	TERMINAL BOARD	01/01/2003-
006	014	3208400	THREE PHASE FILTER	01/01/2003-
006	015	32V0540	RELAY 230V	01/01/2003-
006	016	32V2060	"TIMER 120""-180""	01/01/2003-
006	019	37N2750	PLATE	01/01/2003-30/09/2012