

Зип Общепит

vsezip.ru

+7(812)987-08-81



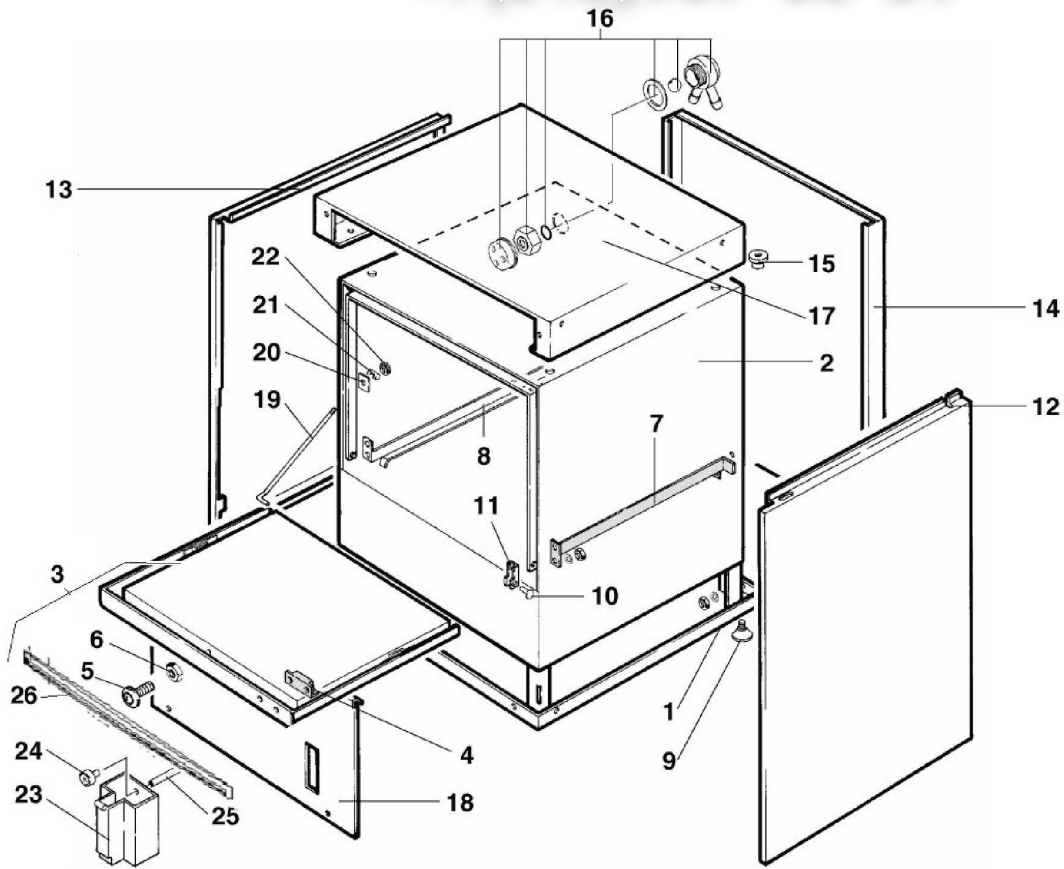
LF50

Edition 20150701-

Зип Общепит

vsezip.ru

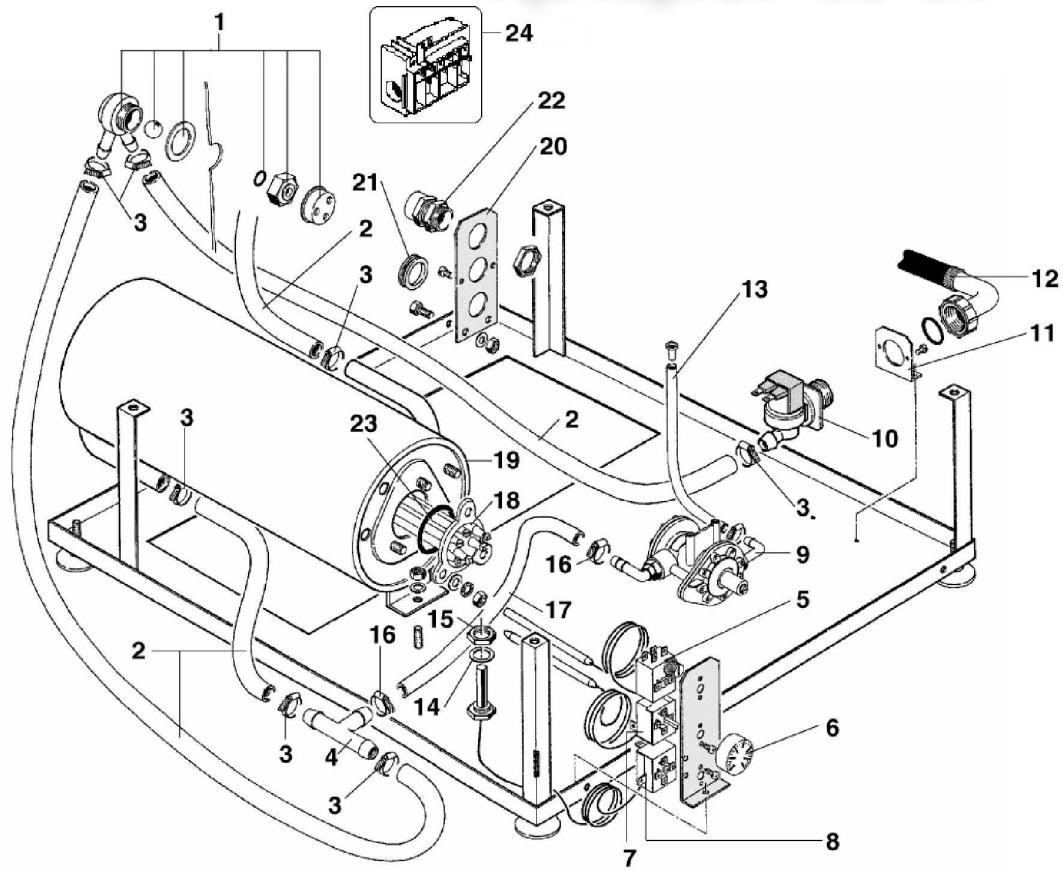
+7(812)987-08-81



Зип Общепит

vsezip.ru

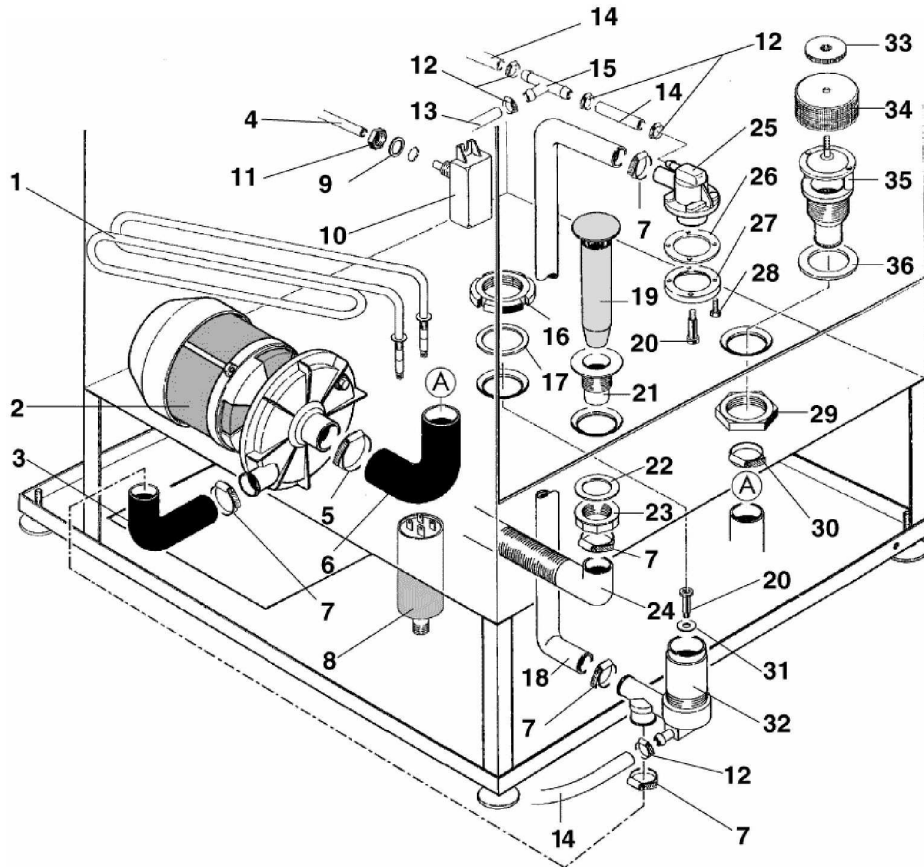
+7(812)987-08-81



Зип Общепит

vsezip.ru

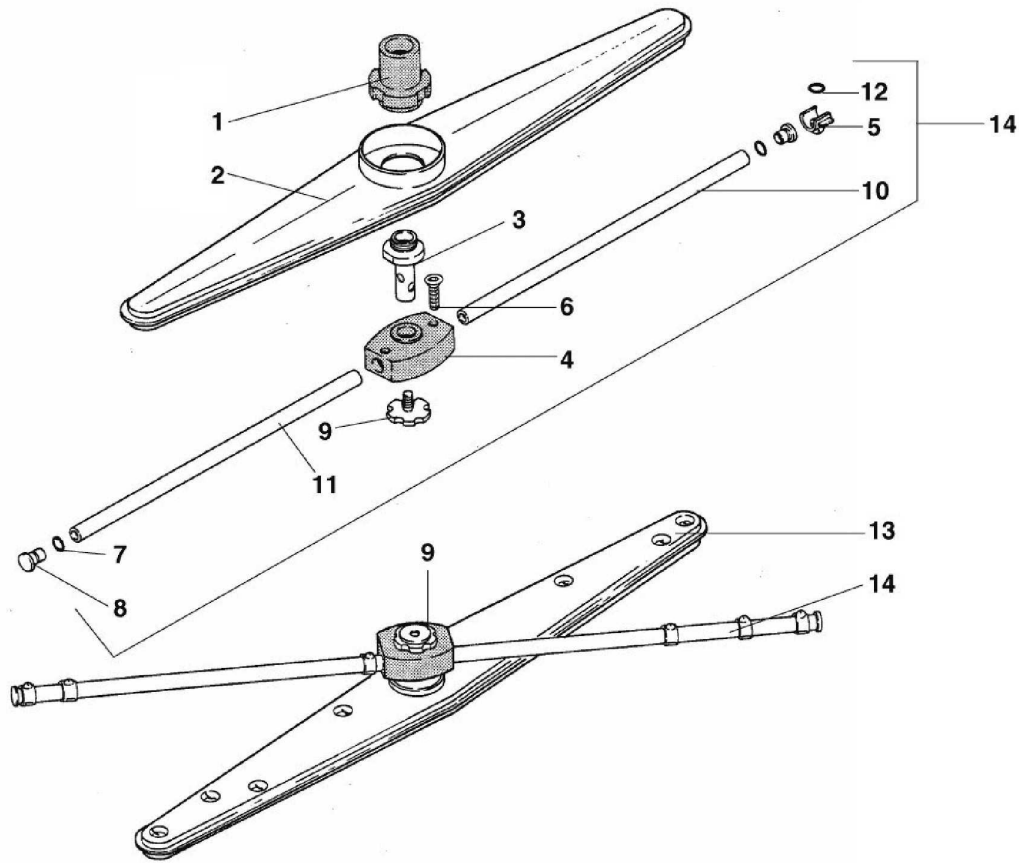
+7(812)987-08-81



Зип Общепит

vsezip.ru

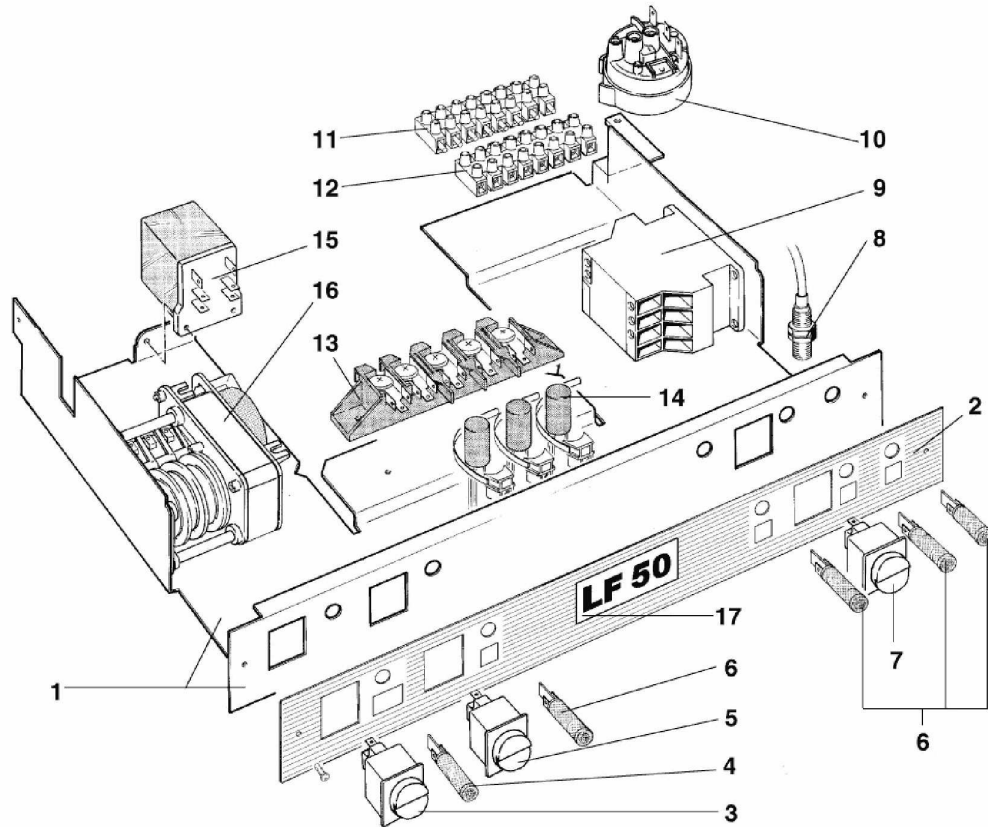
+7(812)987-08-81



Зип Общепит

vsezip.ru

+7(812)987-08-81



| Page | Pos | Code | Description | Info |
|------|-----|--------------|-----------------------|-------------|
| 002 | 001 | LF50-Pos.001 | BASE | 01/11/1999- |
| 002 | 002 | LF50-Pos.002 | TANK | 01/11/1999- |
| 002 | 003 | 3015060 | DOOR | 15/02/2001- |
| 002 | 004 | 32W0870 | MAGNET | 01/11/1999- |
| 002 | 005 | 31W0061 | SPRING | 01/11/1999- |
| 002 | 006 | 3110250 | NUT CATCH | 01/11/1999- |
| 002 | 007 | LF50-Pos.007 | BASKET GUIDE | 01/11/1999- |
| 002 | 008 | LF50-Pos.008 | BASKET GUIDE | 01/11/1999- |
| 002 | 009 | 36Q1600 | FOOT | 01/11/1999- |
| 002 | 010 | 36G9150 | DOOR PIN | 01/11/1999- |
| 002 | 011 | 36M6230 | DOOR HINGE | 01/11/1999- |
| 002 | 012 | 35E1580 | RIGHT PANEL | 01/11/1999- |
| 002 | 013 | 35H2190 | LEFT PANEL | 01/11/1999- |
| 002 | 014 | 3FL0271 | BACK PANEL | 01/11/1999- |
| 002 | 015 | LF50-Pos.015 | LOCK-NUT | 01/11/1999- |
| 002 | 016 | 33D2100 | SAFETY VALVE | 01/09/2007- |
| 002 | 017 | 35H1640 | UPPER SIDE PANEL | 01/11/1999- |
| 002 | 018 | 35H1650 | LOWER PANEL | 01/11/1999- |
| 002 | 019 | 36H0670 | DOOR SCREW STAY | 01/11/1999- |
| 002 | 020 | 35Z5530 | PLATE | 01/11/1999- |
| 002 | 021 | 3AT1410 | DOOR SUPPORT | 01/11/1999- |
| 002 | 022 | 3113200 | NUT | 01/11/1999- |
| 002 | 023 | 36A4160 | RINSE-AID BOX | 01/11/1999- |
| 002 | 024 | 30Q1450 | FILTER | 01/11/1999- |
| 002 | 025 | 111AA09 | PROTECTION PIPE | 01/11/1999- |
| 002 | 026 | 36M7350 | DOOR HANDLE | 15/02/2001- |
| 003 | 001 | 33D2100 | SAFETY VALVE | 01/09/2007- |
| 003 | 002 | 131AA14 | RUBBER HOSE Ø20x13 | 01/11/1999- |
| 003 | 003 | 3140230 | 12/20 PIPE CLAMP | 01/11/1999- |
| 003 | 004 | 33Q3070 | "PIPE FITTING ""T""" | 01/11/1999- |
| 003 | 005 | 32Z8830 | SAFETY THERMOSTAT | 01/11/1999- |
| 003 | 006 | 36M2830 | HANDLE | 01/11/1999- |
| 003 | 007 | 32V1910 | THERMOSTAT 0-90 | 01/11/1999- |
| 003 | 008 | 32V2630 | TANK THERMOSTAT | 01/11/1999- |
| 003 | 009 | 33D2300 | LANG DISPENSER | 01/11/1999- |
| 003 | 010 | 33D2310 | SOLENOID VALVE | 01/11/1999- |
| 003 | 011 | 35P1560 | ELECTRO-VALVE SUPPORT | 01/11/1999- |
| 003 | 012 | 33M0350 | PIPE | 01/11/1999- |
| 003 | 013 | 111AA09 | PROTECTION PIPE | 01/11/1999- |
| 003 | 014 | 3037870 | GASKET | 01/11/1999- |
| 003 | 015 | 33Q2190 | RING NUT | 01/11/1999- |
| 003 | 016 | LF50-Pos.016 | CLAMP | 01/11/1999- |
| 003 | 017 | 33M1310 | RUBBER PIPE | 01/11/1999- |
| 003 | 018 | 32G2580 | HEATING EL. | 01/11/1999- |
| 003 | 019 | 34A1950 | BOILER | 01/11/1999- |
| 003 | 020 | LF50-Pos.020 | BEARING | 01/11/1999- |
| 003 | 021 | LF50-Pos.021 | FAIRLEAD | 01/11/1999- |
| 003 | 022 | LF50-Pos.022 | FIXING CABLE | 01/11/1999- |
| 003 | 023 | 3150430 | "O" RING Ø 56.52 | 01/11/1999- |
| 003 | 024 | 3008130 | TERMINAL BOARD | 01/11/1999- |
| 004 | 001 | 32G2590 | HEATING ELEMENT 3KW | 01/11/1999- |

| Page | Pos | Code | Description | Info |
|------|-----|--------------|--------------------------------|-------------|
| 004 | 002 | 32M5770 | PUMP | 01/11/1999- |
| 004 | 003 | 33M1270 | OUTLET ELBOW | 01/11/1999- |
| 004 | 004 | 131AA08 | HOSE | 01/11/1999- |
| 004 | 005 | LF50-Pos.005 | CLAMP | 01/11/1999- |
| 004 | 006 | 3027810 | INLET ELBOW | 01/07/2015- |
| 004 | 007 | LF50-Pos.007 | CLAMP | 01/11/1999- |
| 004 | 008 | 32V2960 | CONDENSER | 01/11/1999- |
| 004 | 009 | 3151890 | GASKET | 01/11/1999- |
| 004 | 010 | 33M0510 | AIR TRAP | 01/11/1999- |
| 004 | 011 | 33Q3690 | RING NUT | 01/11/1999- |
| 004 | 012 | 3140230 | 12/20 PIPE CLAMP | 01/11/1999- |
| 004 | 013 | 131AA14 | RUBBER HOSE Ø20x13 | 01/11/1999- |
| 004 | 014 | 33M1350 | RUBBER PIPE | 01/11/1999- |
| 004 | 015 | 36G9050 | PIPE FITTING | 01/11/1999- |
| 004 | 016 | 33Q4220 | LOCK NUT | 01/11/1999- |
| 004 | 017 | 37Q4220 | GASKET | 01/11/1999- |
| 004 | 018 | 33M1540 | UPPER OUTLET ELBOW | 01/01/2003- |
| 004 | 019 | 6300893 | EXHAUST RAMMER + OVER FLOW | 01/11/1999- |
| 004 | 020 | 36G9080 | WASHING PIN | 01/11/1999- |
| 004 | 021 | 6300893 | EXHAUST RAMMER + OVER FLOW | 01/11/1999- |
| 004 | 022 | 3151930 | O-RING | 01/11/1999- |
| 004 | 023 | 33Q2160 | RING NUT | 01/11/1999- |
| 004 | 024 | 3033430 | PIPE FOR OUTLET Ø19 L=2000 FOR | 01/11/1999- |
| 004 | 024 | 3029590 | PIPE FOR OUTLET 90° Ø32 | 01/02/2004- |
| 004 | 025 | 36G9160 | UPPER HUB | 01/11/1999- |
| 004 | 026 | 37Q4230 | GASKET | 01/11/1999- |
| 004 | 027 | 36U0740 | FLANGE | 01/11/1999- |
| 004 | 028 | 31A0560 | STEEL SCREW M6X10 | 01/11/1999- |
| 004 | 029 | 33Q4190 | LOCK NUT | 01/11/1999- |
| 004 | 030 | LF50-Pos.030 | CLAMP | 01/11/1999- |
| 004 | 031 | 3092680 | WASHER | 01/11/1999- |
| 004 | 032 | 33Q4160 | LOWER HUB | 01/11/1999- |
| 004 | 033 | 3100110 | RING NUT | 01/11/1999- |
| 004 | 034 | 30Q1330 | FILTER | 01/11/1999- |
| 004 | 035 | 33Q4180 | INTAKE PIPE FITTING ASS.Y | 01/11/1999- |
| 004 | 036 | 37Q4190 | GASKET | 01/11/1999- |
| 005 | 001 | 33M0500 | HUB+NUT | 01/11/1999- |
| 005 | 002 | 36G8540 | WASH BLADES 495X58X16 | 01/11/1999- |
| 005 | 003 | 36G9060 | RINSE PIN | 01/11/1999- |
| 005 | 004 | 36G8550 | RINSE HUB | 01/11/1999- |
| 005 | 005 | 33T2940 | NOZZLE | 01/11/1999- |
| 005 | 006 | 31C0070 | SCREW | 01/11/1999- |
| 005 | 007 | 3152180 | O RING | 01/11/1999- |
| 005 | 008 | 36C3870 | "PLUG FOR ARM + RING ""OR""" | 01/11/1999- |
| 005 | 009 | 33Q3710 | RING NUT | 01/11/1999- |
| 005 | 010 | 35X4860 | RIGHT RINSE ARM | 01/11/1999- |
| 005 | 011 | 35X4870 | LEFT RINSE ARM | 01/11/1999- |
| 005 | 012 | 3152400 | OO | 01/11/1999- |
| 005 | 013 | 30Z2680 | WASHING ARM | 01/11/1999- |
| 005 | 014 | 30Z1491 | COMPL. RINSE ARM | 01/11/1999- |
| 006 | 001 | LF50-Pos.001 | ELECTRIC PANEL | 01/11/1999- |

| Page | Pos | Code | Description | Info |
|------|-----|---------|------------------------|-------------|
| 006 | 002 | 37N2740 | PLATE | 01/11/1999- |
| 006 | 003 | 32V2030 | SWITCH ON-OFF | 01/11/1999- |
| 006 | 004 | 32W2140 | LAMP | 01/11/1999- |
| 006 | 005 | 32V2050 | SWITCH | 01/11/1999- |
| 006 | 006 | 32W2130 | LAMP | 01/11/1999- |
| 006 | 007 | 32V2040 | WASHING PROGRAM SWITCH | 01/11/1999- |
| 006 | 008 | 32Z8650 | MAGNETIC REED | 01/11/1999- |
| 006 | 009 | 32V0560 | CONTACTOR | 01/01/2008- |
| 006 | 010 | 32Z8930 | PRESSURE-SWITCH 20/40 | 01/11/1999- |
| 006 | 011 | 3177480 | TERMINAL BOARD | 01/11/1999- |
| 006 | 012 | 3177490 | TERMINAL BOARD | 01/11/1999- |
| 006 | 013 | 32D1700 | TERMINAL BOARD | 01/11/1999- |
| 006 | 014 | 3208400 | THREE PHASE FILTER | 01/11/1999- |
| 006 | 014 | 32V5640 | FILTER | 01/11/1999- |
| 006 | 015 | 32V0540 | RELAY 230V | 01/11/1999- |
| 006 | 016 | 32V2060 | "TIMER 120""-180""" | 01/11/1999- |
| 006 | 017 | 3021840 | PLATE | 01/10/2012- |