

Зип Общепит

vsezip.ru

+7(812)987-08-81



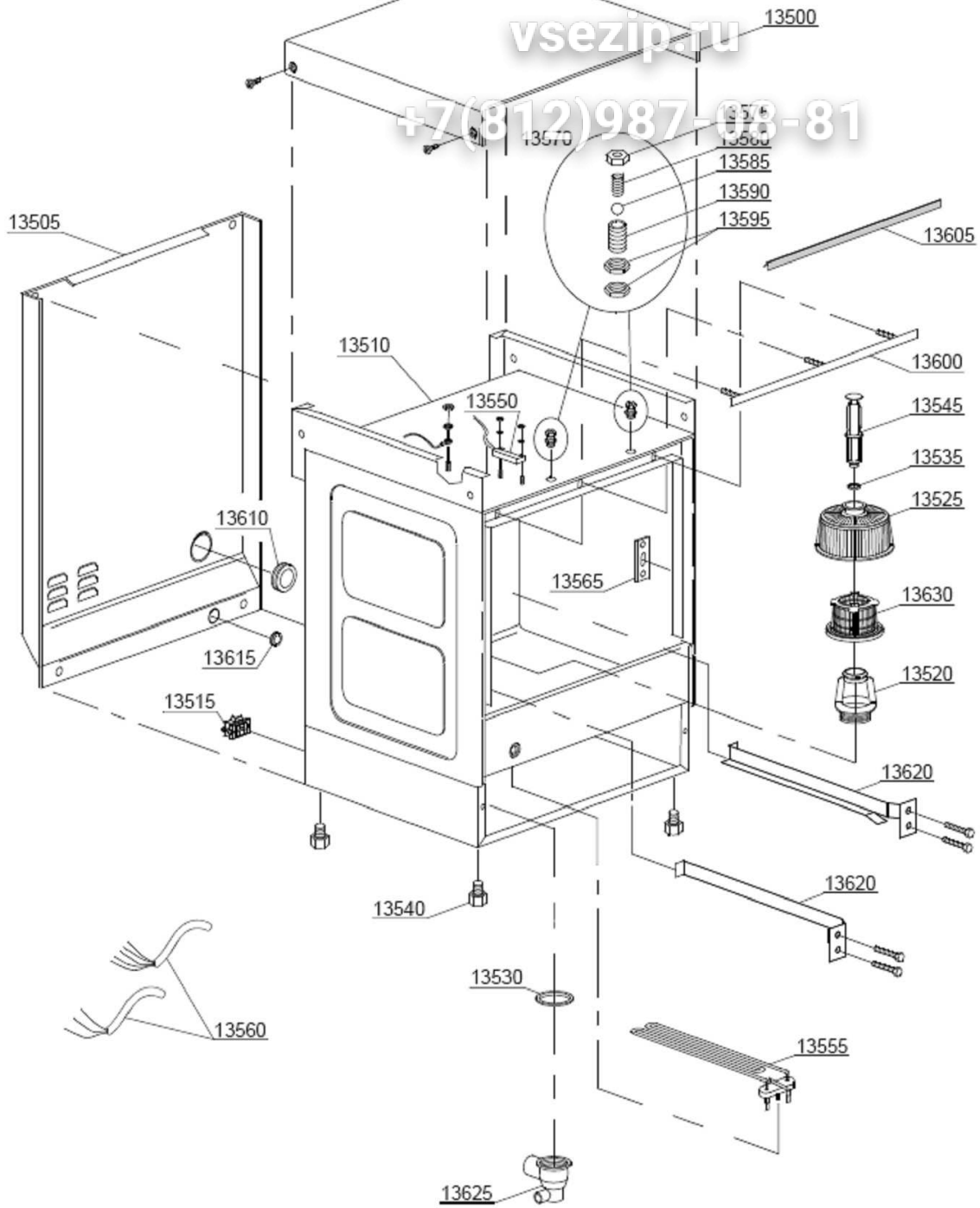
KN50PS

Edition 20091101-

Зип Общепит

vsezip.ru

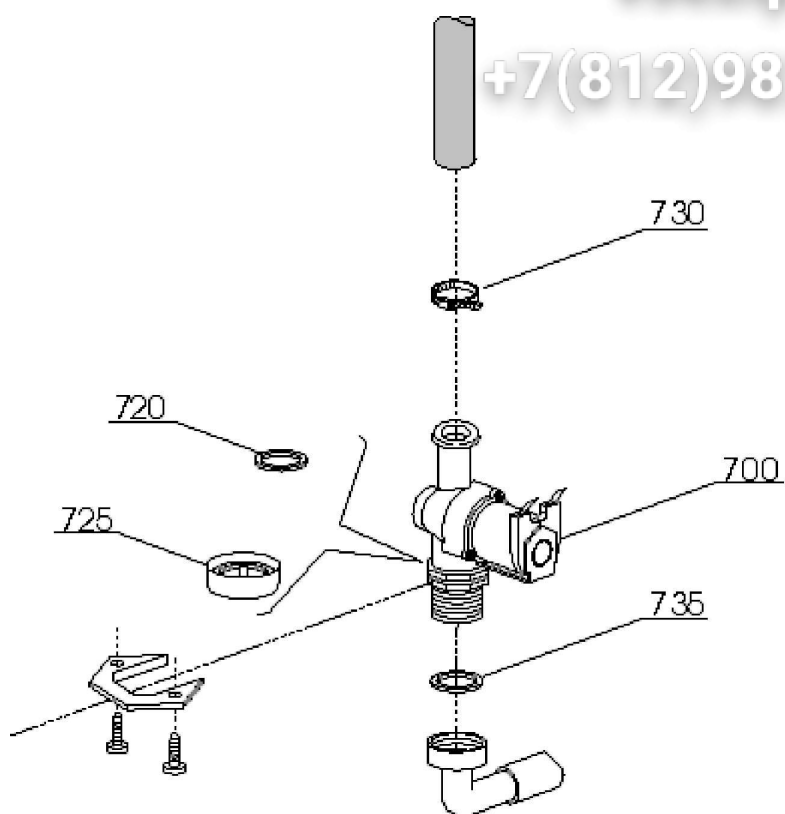
+7(812)987-08-81



Зип Общепит

vsezip.ru

+7(812)987-08-81

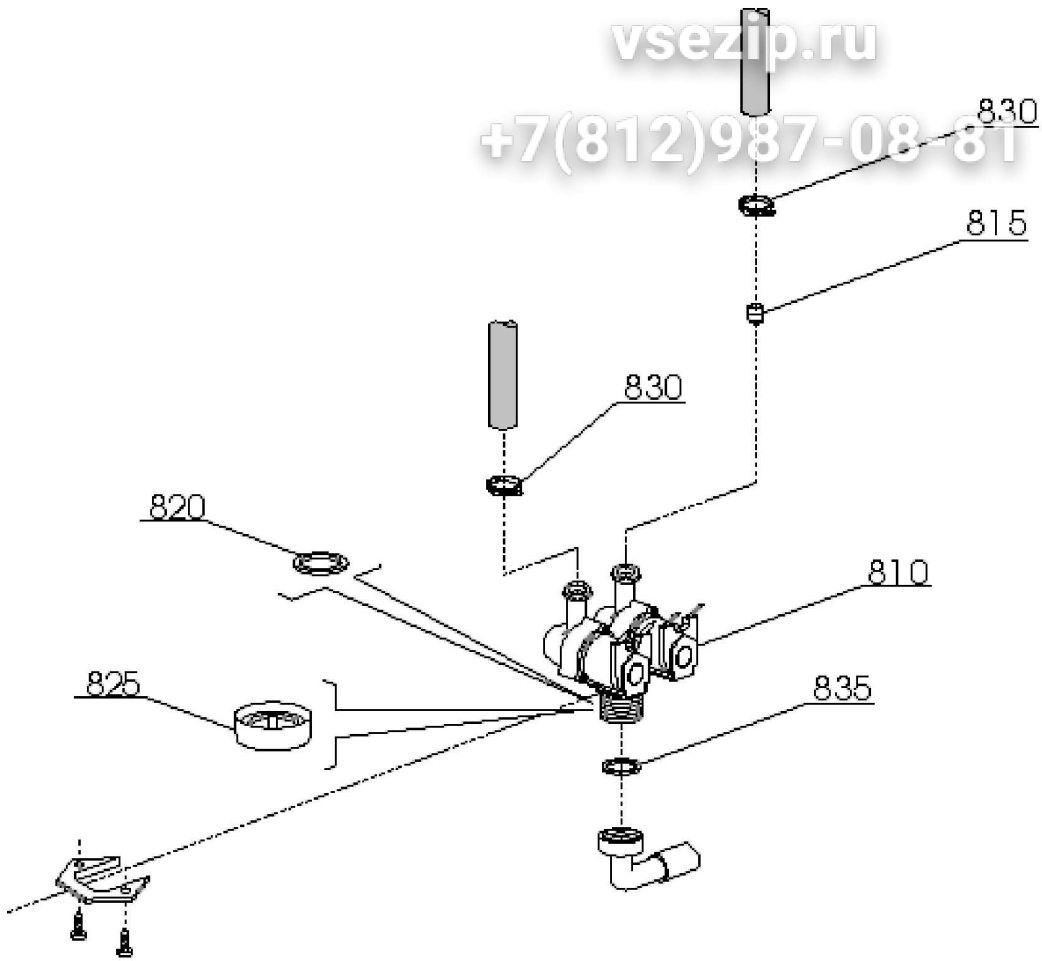


05_002_ε

Зип Общепит

vsezip.ru

+7(812)987-08-81

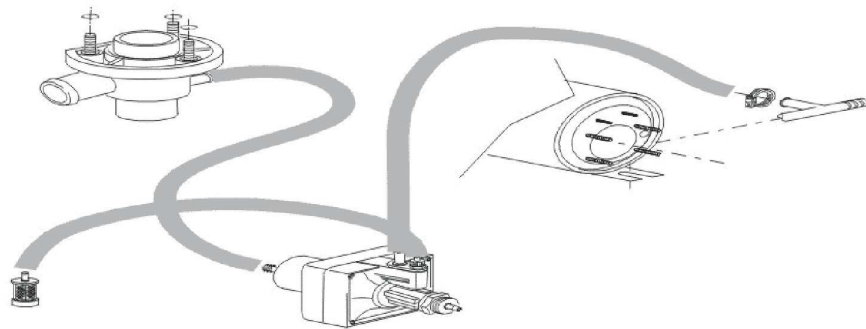
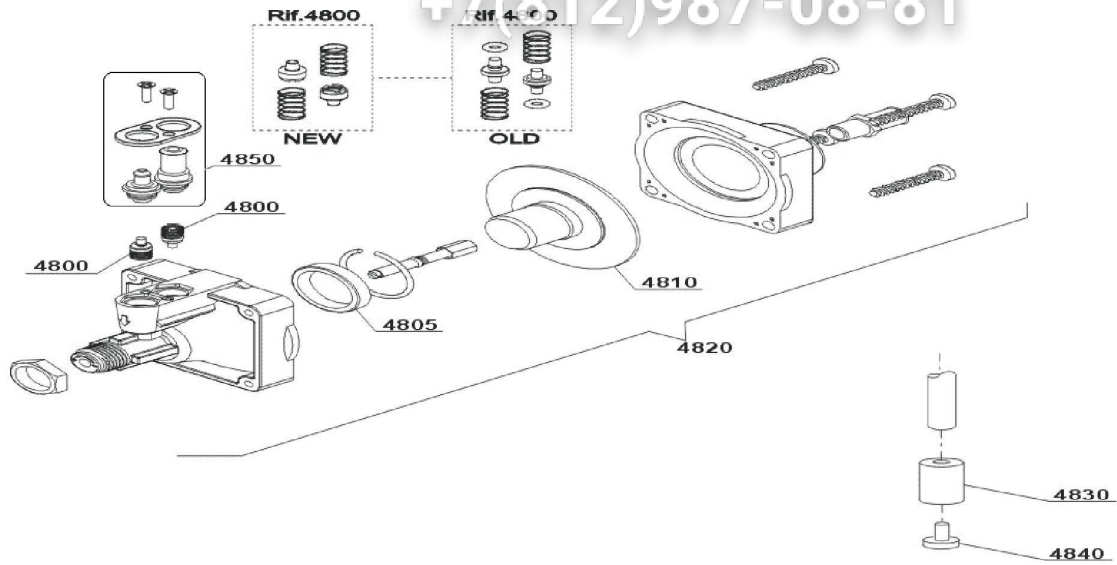


05_003_e

Зип Общепит

vsezip.ru

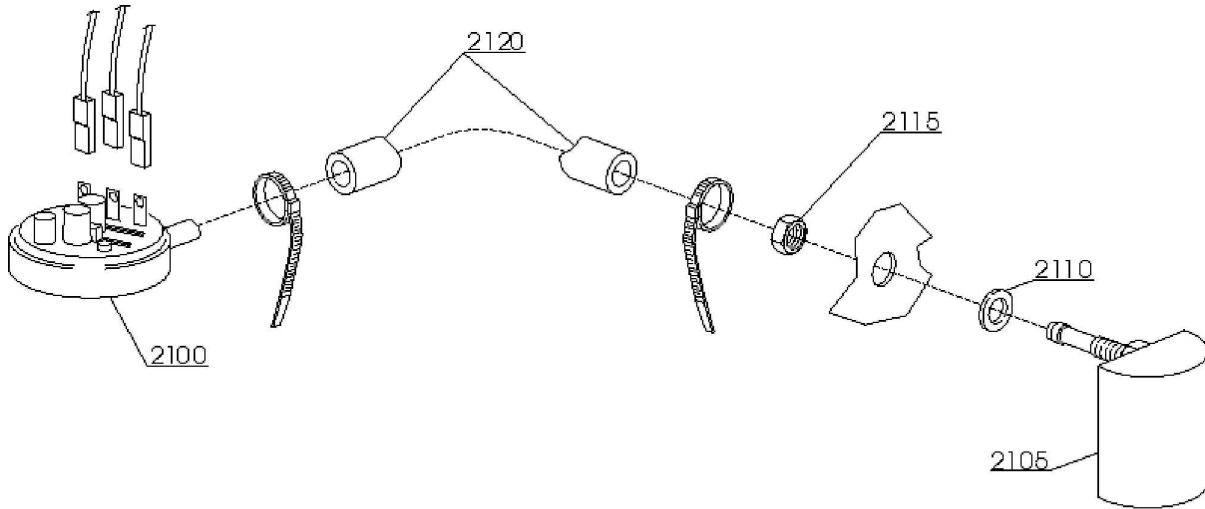
+7(812)987-08-81



Зип Общепит

vsezip.ru

+7(812)987-08-81

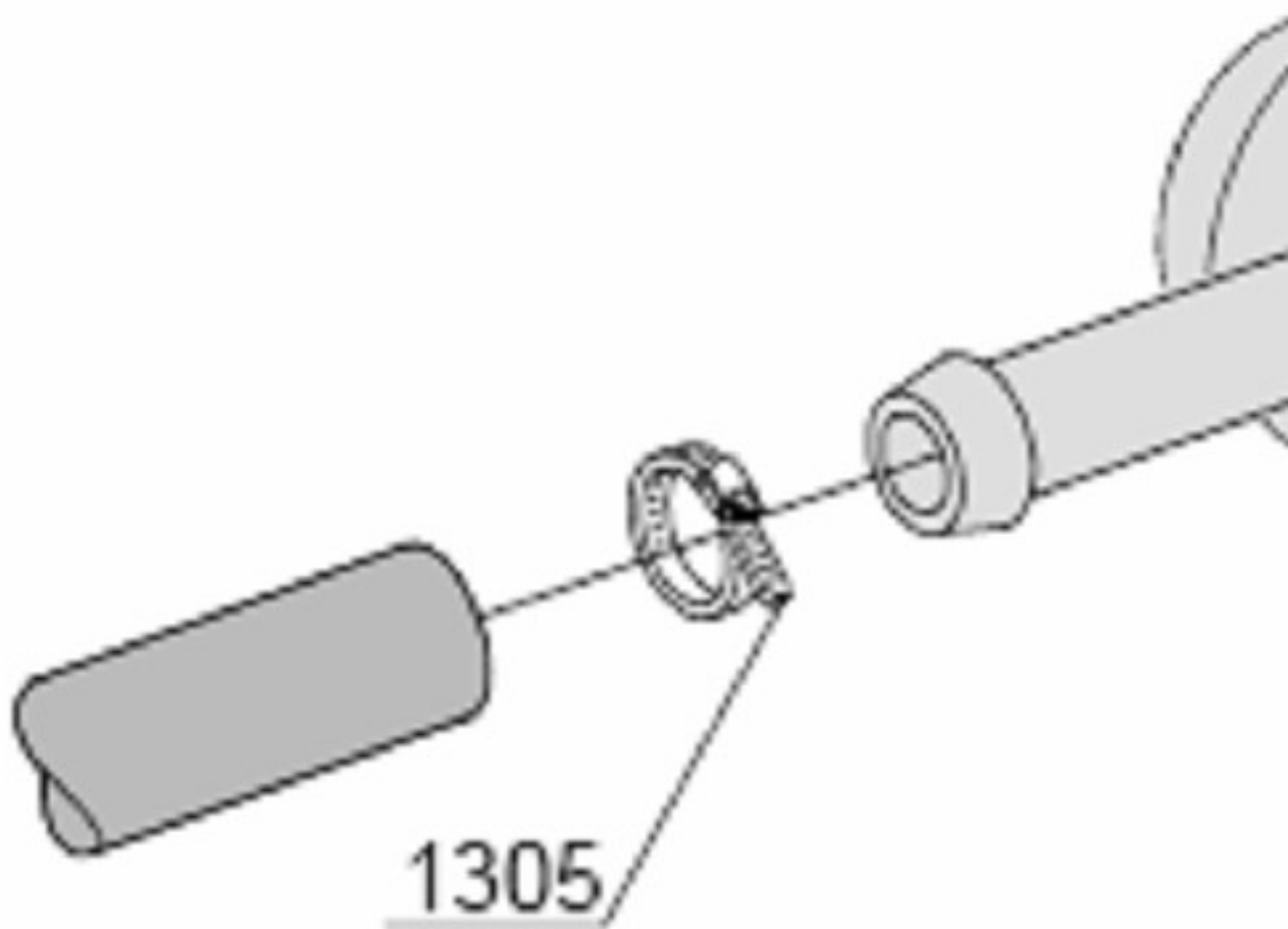


16_001_e

Зип Общепит

vsezip.ru

+7(812)987-08-81



Зип Общепит

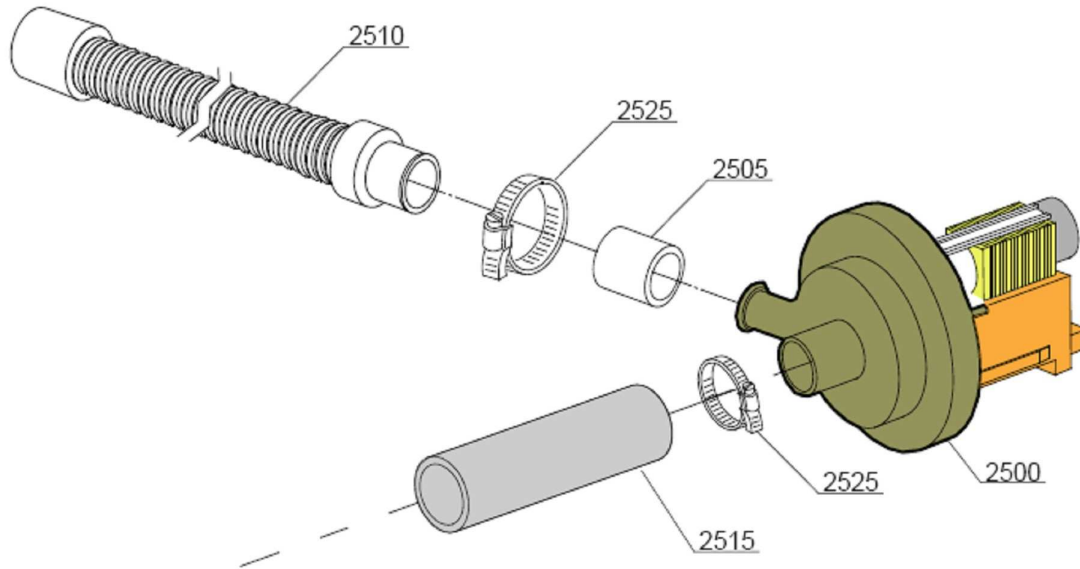
vsezip.ru

+7(812)987-08-81

Зип Общепит

vsezip.ru

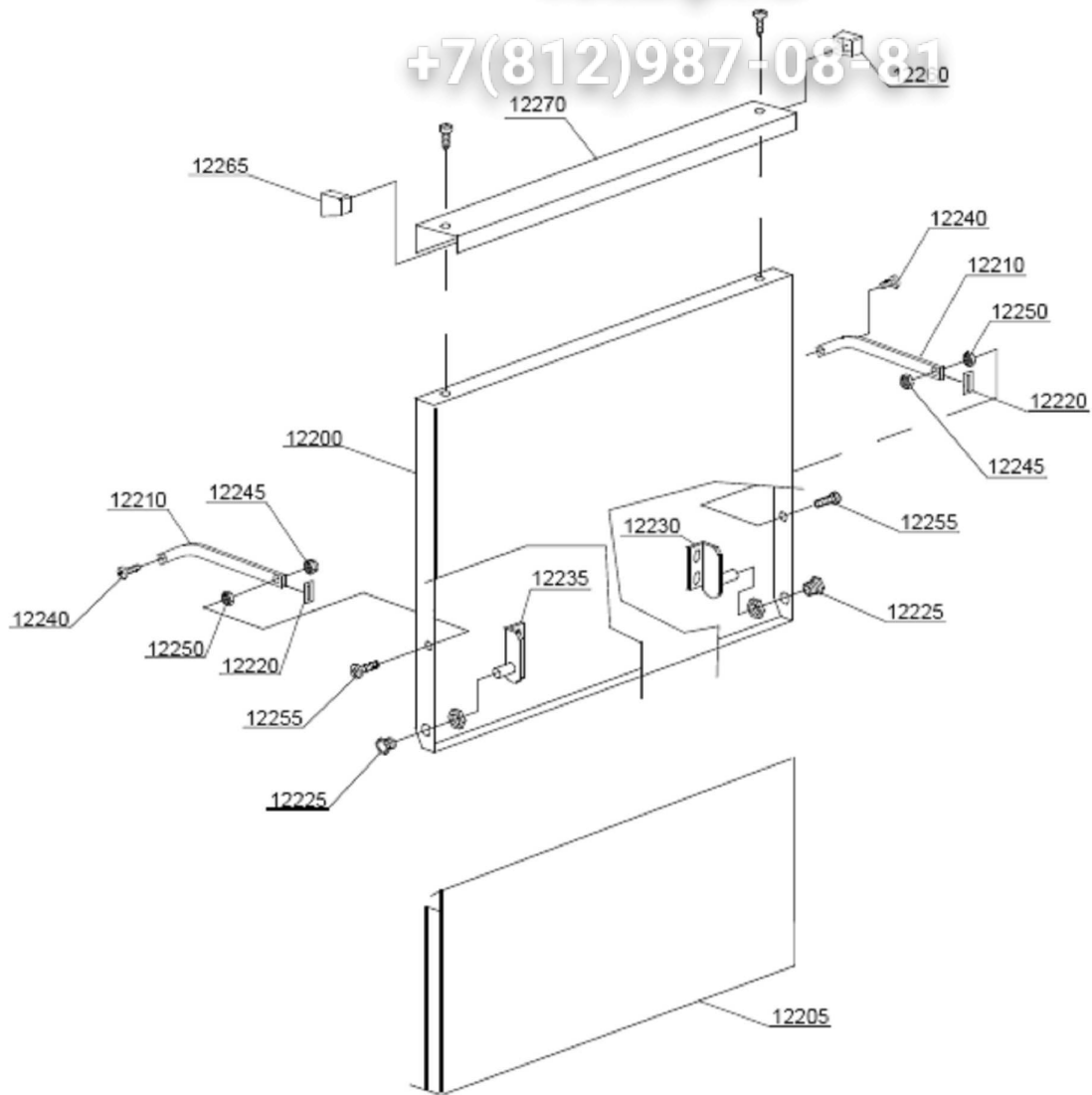
+7(812)987-08-81



Зип Общепит

vsezip.ru

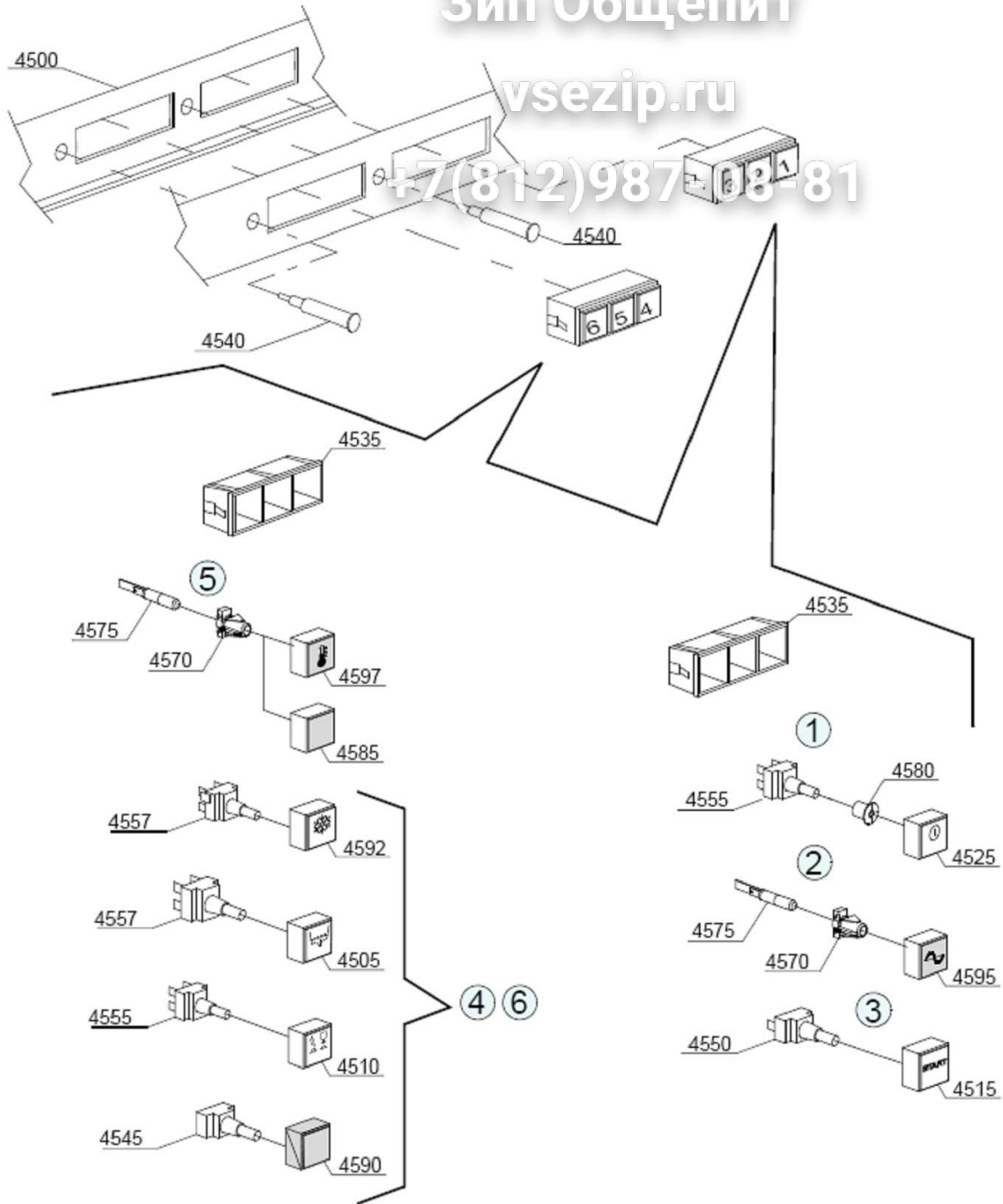
+7(812)987-08-81



Зип Общепит

vsezip.ru

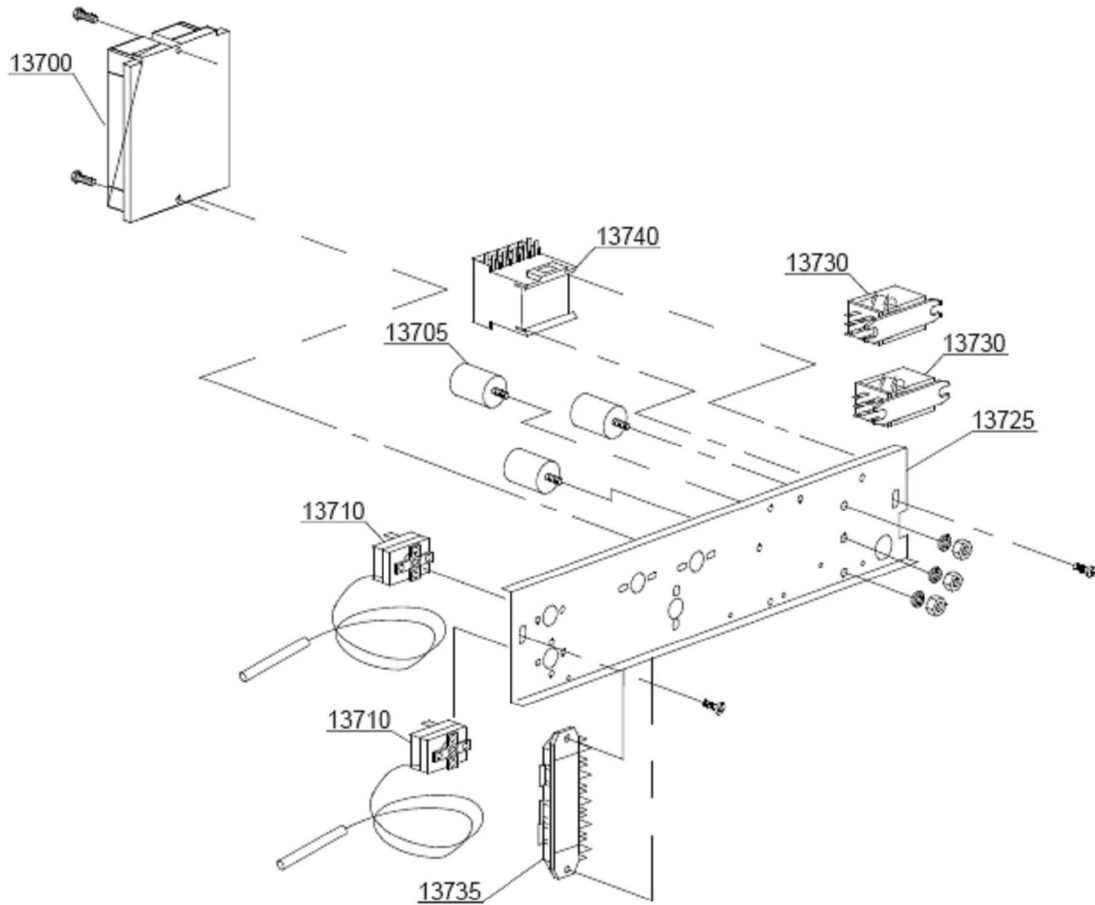
+7(812)987-08-81



Зип Общепит

vsezip.ru

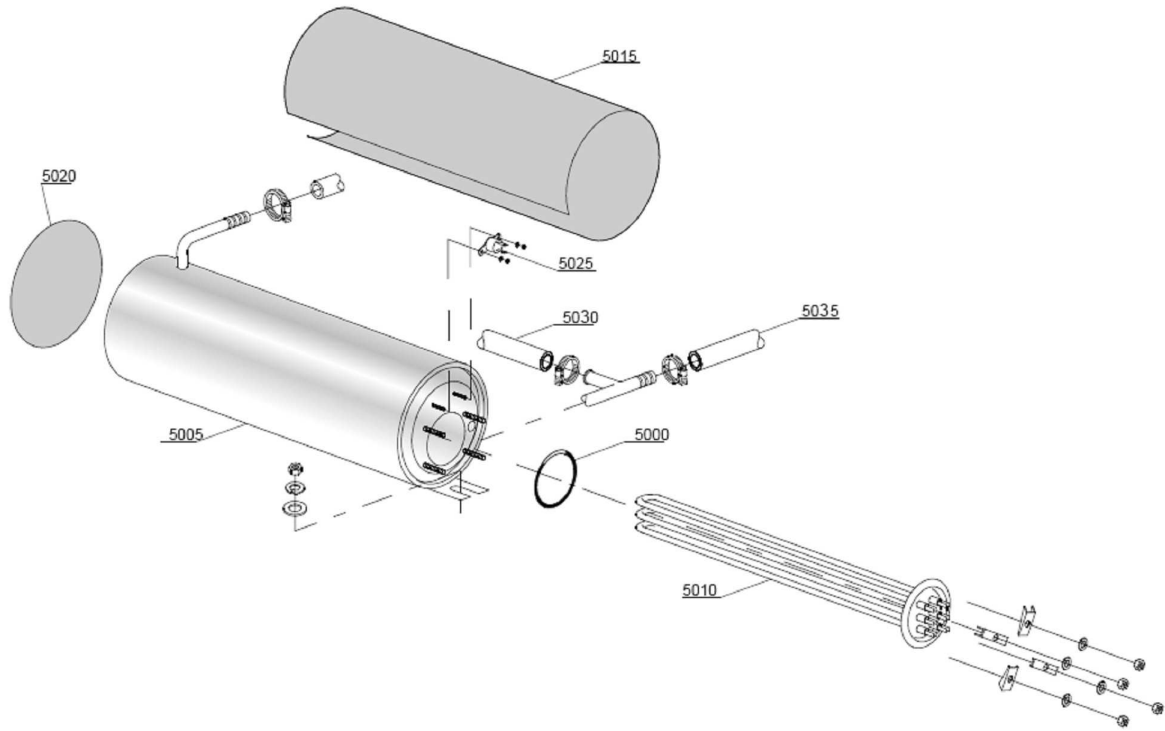
+7(812)987-08-81



Зип Общепит

vsezip.ru

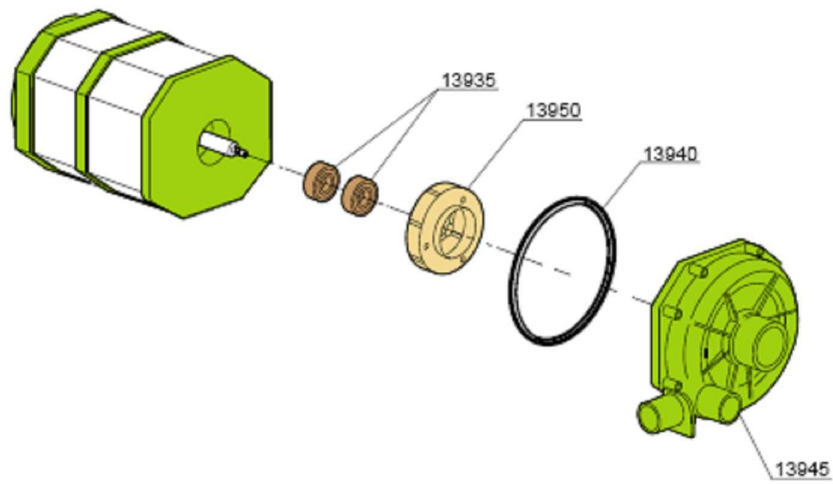
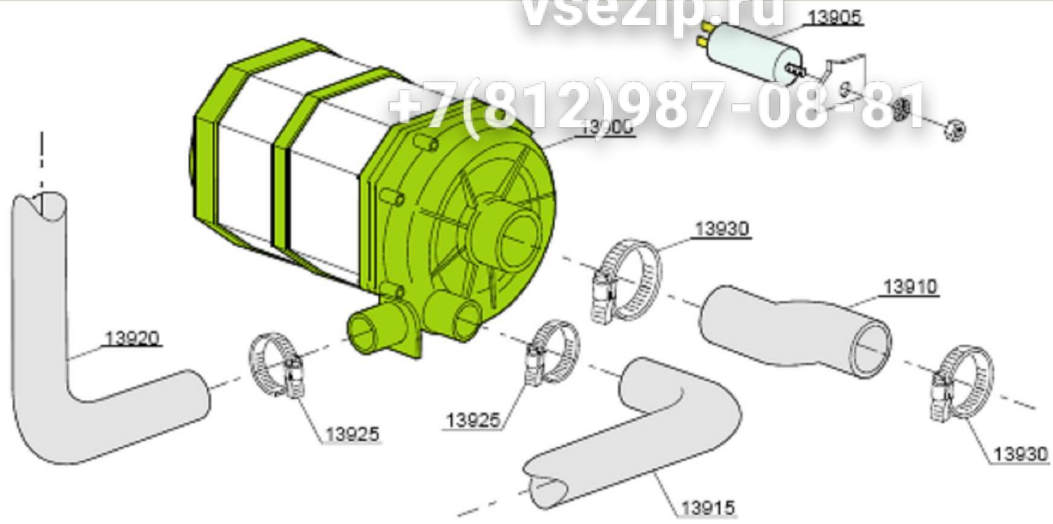
+7(812)987-08-81



Зип Общепит

vsezip.ru

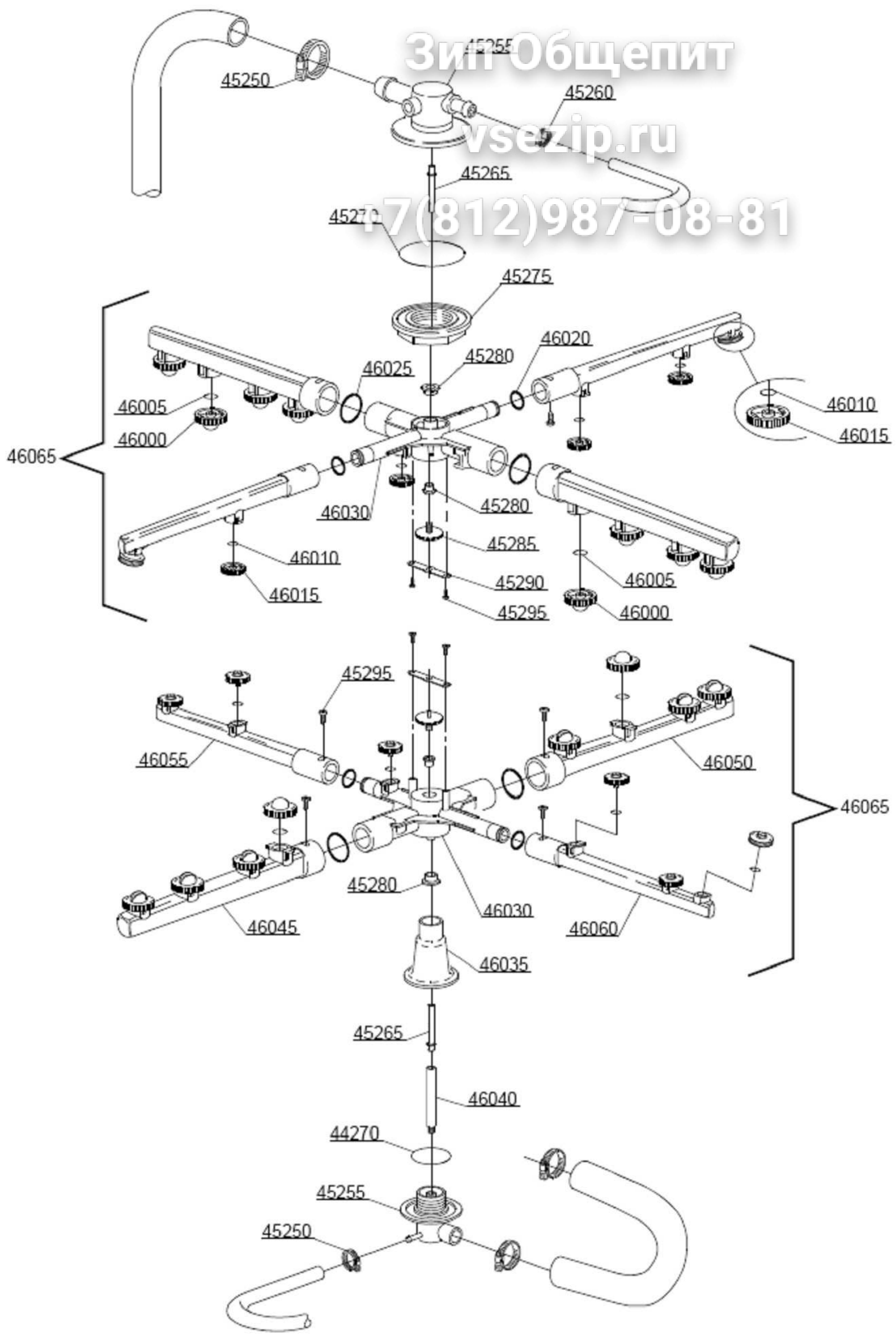
+7(812)987-08-81



Зип-Общепит

vsezip.ru

7(812)987-08-81



| Page | Pos | Code | Description | Info |
|------|-------|------------------|-------------------------------------|-------------|
| 002 | 13500 | 3273840 | Cover | 01/05/2009- |
| 002 | 13505 | KN50PS-Pos.13505 | Back panel | 01/05/2009- |
| 002 | 13510 | KN50PS-Pos.13510 | Body | 01/05/2009- |
| 002 | 13515 | 32D1850 | Cable-fastener with screw | 01/05/2009- |
| 002 | 13520 | 3273650 | Ferrule with filter | 01/05/2009- |
| 002 | 13525 | 30Q3250 | Suction filter | 01/05/2009- |
| 002 | 13530 | 37Q5100 | 95x75x3 gasket | 01/05/2009- |
| 002 | 13535 | 37Q5140 | DEM 40 gasket | 01/05/2009- |
| 002 | 13540 | 3191860 | Foot | 01/05/2009- |
| 002 | 13545 | 33D3350 | Overflow pipe | 01/05/2009- |
| 002 | 13550 | 3246750 | Reed magnet | 01/05/2009- |
| 002 | 13555 | 32G3360 | HEATING 2,7 Kw | 01/05/2009- |
| 002 | 13560 | KN50PS-Pos.13560 | 3x2,5x2500 cable | 01/05/2009- |
| 002 | 13560 | KN50PS-Pos.13560 | 3x4x2500 cable | 01/05/2009- |
| 002 | 13560 | KN50PS-Pos.13560 | 5x2,5x2500 cable | 01/05/2009- |
| 002 | 13560 | KN50PS-Pos.13560 | 4x4x2500 cable | 01/05/2009- |
| 002 | 13560 | KN50PS-Pos.13560 | 3x2,5x3300 cable | 01/05/2009- |
| 002 | 13565 | 3030750 | Door rod slide | 01/05/2009- |
| 002 | 13570 | KN50PS-Pos.13570 | Door jack assembly | 01/05/2009- |
| 002 | 13575 | KN50PS-Pos.13575 | Door jack locknut | 01/05/2009- |
| 002 | 13580 | KN50PS-Pos.13580 | Spring for door hook | 01/05/2009- |
| 002 | 13585 | KN50PS-Pos.13585 | Sphere for door hook | 01/05/2009- |
| 002 | 13590 | KN50PS-Pos.13590 | Door jack body | 01/05/2009- |
| 002 | 13595 | KN50PS-Pos.13595 | Door jack nut | 01/05/2009- |
| 002 | 13600 | KN50PS-Pos.13600 | Door O-ring angular | 01/05/2009- |
| 002 | 13605 | 3025410 | Door O-ring | 01/05/2009- |
| 002 | 13610 | KN50PS-Pos.13610 | O40mm fairlead | 01/05/2009- |
| 002 | 13615 | KN50PS-Pos.13615 | O13mm fairlead | 01/05/2009- |
| 002 | 13620 | KN50PS-Pos.13620 | Right/left internal slide | 01/05/2009- |
| 002 | 13625 | 33M1810 | Right side scrap tray | 01/05/2009- |
| 002 | 13630 | 3191850 | Interior filter with rack | 01/05/2009- |
| 003 | 700 | 33D3260 | Single solenoid valve | 01/10/2003- |
| 003 | 720 | KN50PS-Pos.720 | Pression reducing valve | 01/10/2003- |
| 003 | 725 | 15315 | Red pression reducing valve support | 01/10/2003- |
| 003 | 730 | 3140230 | 12/20 PIPE CLAMP | 01/10/2003- |
| 003 | 735 | KN50PS-Pos.735 | 3/4 gasket | 01/10/2003- |
| 004 | 810 | 33D3250 | Double solenoid valve - O10 | 01/10/2003- |
| 004 | 815 | KN50PS-Pos.815 | Green pression solenoid valve | 01/10/2003- |
| 004 | 820 | KN50PS-Pos.820 | Pression reducing valve | 01/10/2003- |
| 004 | 825 | 33A2090 | Red pression reducing valve | 01/10/2003- |
| 004 | 830 | 3140230 | 12/20 PIPE CLAMP | 01/10/2003- |
| 004 | 835 | KN50PS-Pos.835 | 3/4 gasket | 01/10/2003- |
| 005 | 4800 | 3023040 | Tecnopro dosing valve | 01/07/2003- |
| 005 | 4805 | 3024680 | O22 gasket | 01/07/2003- |
| 005 | 4810 | 3206600 | Membrane | 01/07/2003- |
| 005 | 4820 | 33D3240 | 3 out shining product dosing d | 01/07/2003- |
| 005 | 4830 | 36H1500 | Counter-weight | 01/07/2003- |
| 005 | 4840 | 30Q3210 | Small filter | 01/07/2003- |
| 005 | 4850 | 3187520 | Flexible-pipe holder | 01/07/2003- |
| 006 | 2100 | 32V7060 | 47-27 pressure switch | 01/09/2005- |
| 006 | 2105 | 33D3310 | Air trap assembly | 01/09/2005- |

| Page | Pos | Code | Description | Info |
|------|-------|------------------|--|-------------|
| 006 | 2110 | 37Q5130 | Gasket | 01/09/2005- |
| 006 | 2115 | 33Q6470 | M8 stainless steel nut | 01/09/2005- |
| 006 | 2120 | 3036160 | 4,5X9 EPDM rubber pipe | 01/09/2005- |
| 007 | 1300 | 33D2100 | SAFETY VALVE | 01/03/2008- |
| 007 | 1305 | 3140230 | 12/20 PIPE CLAMP | 01/03/2008- |
| 008 | 30800 | 33Q6520 | O12 mm plastic 3 ways derivati | 01/03/2008- |
| 008 | 30805 | 3140230 | 12/20 PIPE CLAMP | 01/03/2008- |
| 009 | 2500 | 3015280 | Drain pump - 60Hz | 01/11/2009- |
| 009 | 2500 | 3104270 | DRAIN PUMP | 01/11/2009- |
| 009 | 2505 | KN50PS-Pos.2505 | Pipe fitting | 01/11/2009- |
| 009 | 2510 | 33M1660 | Drain pipe | 01/11/2009- |
| 009 | 2515 | 3027970 | Drain coude/pump connection pipe | 01/11/2009- |
| 009 | 2525 | 3223050 | 25/40 clamp | 01/11/2009- |
| 010 | 12200 | KN50PS-Pos.12200 | Door | 01/05/2009- |
| 010 | 12205 | 3273050 | Lower door | 01/05/2009- |
| 010 | 12210 | 3177400 | | 01/05/2009- |
| 010 | 12220 | 3177410 | Hinge door seal | 01/05/2009- |
| 010 | 12225 | 3075230 | | 01/05/2009- |
| 010 | 12230 | 3075240 | | 01/05/2009- |
| 010 | 12235 | 3075250 | | 01/05/2009- |
| 010 | 12240 | 3081410 | M4x10 TCB Inox screw | 01/05/2009- |
| 010 | 12245 | KN50PS-Pos.12245 | Nut | 01/05/2009- |
| 010 | 12250 | KN50PS-Pos.12250 | M6 stainless steel nut | 01/05/2009- |
| 010 | 12255 | 3177420 | SCREW | 01/05/2009- |
| 010 | 12260 | 3244160 | Right door plug | 01/05/2009- |
| 010 | 12265 | 3244170 | Left door plug | 01/05/2009- |
| 010 | 12270 | 3244180 | Inox handle | 01/05/2009- |
| 011 | 4500 | KN50PS-Pos.4500 | Control panel | 01/05/2009- |
| 011 | 4505 | 3040840 | Green drain pump key | 01/05/2009- |
| 011 | 4505 | 3273340 | Blu drain pump key | 01/05/2009- |
| 011 | 4515 | KN50PS-Pos.4515 | Blu start key | 01/05/2009- |
| 011 | 4515 | 3063320 | Green start key | 01/05/2009- |
| 011 | 4515 | 3273760 | Yellow start key | 01/05/2009- |
| 011 | 4525 | KN50PS-Pos.4525 | Blu ON-OFF key | 01/05/2009- |
| 011 | 4525 | KN50PS-Pos.4525 | Yellow ON-OFF key | 01/05/2009- |
| 011 | 4525 | 32W4260 | Green ON-OFF key | 01/05/2009- |
| 011 | 4535 | KN50PS-Pos.4535 | Square black triple support | 01/05/2009- |
| 011 | 4535 | 36U0870 | Square grey triple support | 01/05/2009- |
| 011 | 4540 | 32W4230 | Pilot light | 01/05/2009- |
| 011 | 4545 | KN50PS-Pos.4545 | Push button support | 01/05/2009- |
| 011 | 4550 | 3040850 | 16A unipolar push button | 01/05/2009- |
| 011 | 4555 | 32W4150 | 16A SWITCH ONLY | 01/05/2009- |
| 011 | 4557 | 3242340 | 16A bipolar switch | 01/05/2009- |
| 011 | 4570 | 36U0850 | Pilot light support | 01/05/2009- |
| 011 | 4575 | 32W4220 | Pilot light | 01/05/2009- |
| 011 | 4580 | 33Q6440 | Green-orange cam | 01/05/2009- |
| 011 | 4585 | 32W4160 | Green gem | 01/05/2009- |
| 011 | 4590 | 36Q2060 | Grey key | 01/05/2009- |
| 011 | 4592 | KN50PS-Pos.4592 | Yellow additional cold rinse push button | 01/05/2009- |
| 011 | 4592 | KN50PS-Pos.4592 | Blu additional cold rinse push button | 01/05/2009- |
| 011 | 4592 | 3025570 | Green additional cold rinse key | 01/05/2009- |

| Page | Pos | Code | Description | Info |
|------|-------|------------------|---------------------------------|-------------|
| 011 | 4595 | 3025580 | Green square cycle gem | 01/05/2009- |
| 011 | 4597 | 3065830 | Green square temperature gem | 01/05/2009- |
| 012 | 13700 | 3022640 | ELECTRONICTIMER | 01/05/2009- |
| 012 | 13705 | 32V7020 | Low noise filter | 01/05/2009- |
| 012 | 13710 | 32V7240 | 0-90°C thermostat | 01/05/2009- |
| 012 | 13725 | KN50PS-Pos.13725 | Electric components panel | 01/05/2009- |
| 012 | 13730 | 32V7100 | Bipolar relay in deviation | 01/05/2009- |
| 012 | 13735 | 32D1860 | 6 poles terminal board | 01/05/2009- |
| 012 | 13735 | KN50PS-Pos.13735 | 3 poles terminal board | 01/05/2009- |
| 012 | 13740 | 32V7170 | Remote control switch 230V 50/ | 01/05/2009- |
| 012 | 13740 | 32V7200 | 25A/12A remote control switch | 01/05/2009- |
| 013 | 5000 | 37Q5190 | OR 151 NBR gasket | 01/05/2009- |
| 013 | 5005 | 34A2570 | Boiler | 01/05/2009- |
| 013 | 5010 | 32G3390 | HEATING EL. | 01/05/2009- |
| 013 | 5015 | 3177980 | Insulating boiler | 01/05/2009- |
| 013 | 5020 | 3177990 | Ø160 bottom | 01/05/2009- |
| 013 | 5025 | 32V7250 | Safety thermostat | 01/05/2009- |
| 013 | 5030 | 3022330 | PIPE | 01/05/2009- |
| 013 | 5035 | 3174950 | | 01/05/2009- |
| 014 | 13900 | KN50PS-Pos.13900 | 0,70Hp wash pump - 230Vac 60Hz | 01/05/2009- |
| 014 | 13900 | 3022650 | WASHING PUMP | 01/05/2009- |
| 014 | 13905 | 32V7000 | 12,5 uF condenser | 01/05/2009- |
| 014 | 13910 | 3022660 | Suction pipe coupling | 01/05/2009- |
| 014 | 13915 | 3245820 | Lower wash pipe coupling | 01/05/2009- |
| 014 | 13920 | 3022670 | Wash ramp | 01/05/2009- |
| 014 | 13925 | 3223050 | 25/40 clamp | 01/05/2009- |
| 014 | 13930 | KN50PS-Pos.13930 | 30/45 clamp | 01/05/2009- |
| 014 | 13935 | 3036790 | ROTATING SEALS | 01/05/2009- |
| 014 | 13940 | 3025600 | O RING | 01/05/2009- |
| 014 | 13945 | 3240520 | Scroll | 01/05/2009- |
| 014 | 13950 | 3025590 | Pump rotor | 01/05/2009- |
| 015 | 45250 | 3223050 | 25/40 clamp | 01/05/2009- |
| 015 | 45255 | 33Q6680 | Top/lower turret | 01/05/2009- |
| 015 | 45260 | KN50PS-Pos.45260 | 12/22 clamp | 01/05/2009- |
| 015 | 45265 | 33Q6390 | O10x51 lower/top rinse axle | 01/05/2009- |
| 015 | 45270 | 37Q5260 | 6225 OR 160 NBR gasket | 01/05/2009- |
| 015 | 45275 | 3036900 | RING NUT FOR FIXING TURRET | 01/05/2009- |
| 015 | 45280 | 31Z0240 | WASHER | 01/05/2009- |
| 015 | 45285 | 33Q6710 | SCREW | 01/05/2009- |
| 015 | 45290 | 35Y6030 | Blocking ring nut rotor plaque | 01/05/2009- |
| 015 | 45295 | KN50PS-Pos.45295 | 4x10 TCB O8 spax toothed screw | 01/05/2009- |
| 015 | 46000 | 3040900 | OPENED HEAD WASH NOZZLE 3,5 | 01/05/2009- |
| 015 | 46005 | 3045420 | OR 2050 NBR gasket | 01/05/2009- |
| 015 | 46010 | 3035830 | OR R6 NBR gasket | 01/05/2009- |
| 015 | 46015 | 3035840 | OPENED HEAD RINSE | 01/05/2009- |
| 015 | 46020 | 3035830 | NOZZLE OR R6 NBR gasket | 01/05/2009- |
| 015 | 46025 | 3197840 | OR gasket 2081 | 01/05/2009- |
| 015 | 46030 | 3191880 | Under / upper turret wash rotor | 01/05/2009- |
| 015 | 46035 | 33M1760 | Lower pipe coupling | 01/05/2009- |
| 015 | 46040 | KN50PS-Pos.46040 | Lower rinse axle | 01/05/2009- |
| 015 | 46045 | 3191930 | Left wash pipe | 01/05/2009- |

| Page | Pos | Code | Description | Info |
|------|-------|---------|---|-------------|
| 015 | 46050 | 3191940 | Right wash pipe | 01/05/2009- |
| 015 | 46055 | 3191950 | Right rinse arm | 01/05/2009- |
| 015 | 46060 | 3191960 | Left rinse arm | 01/05/2009- |
| 015 | 46065 | 3213890 | Grey wash/rinse lower/upper distributor | 01/05/2009- |

+7(812)987-08-81