

Зип Общепит

vsezip.ru

+7(812)987-08-81



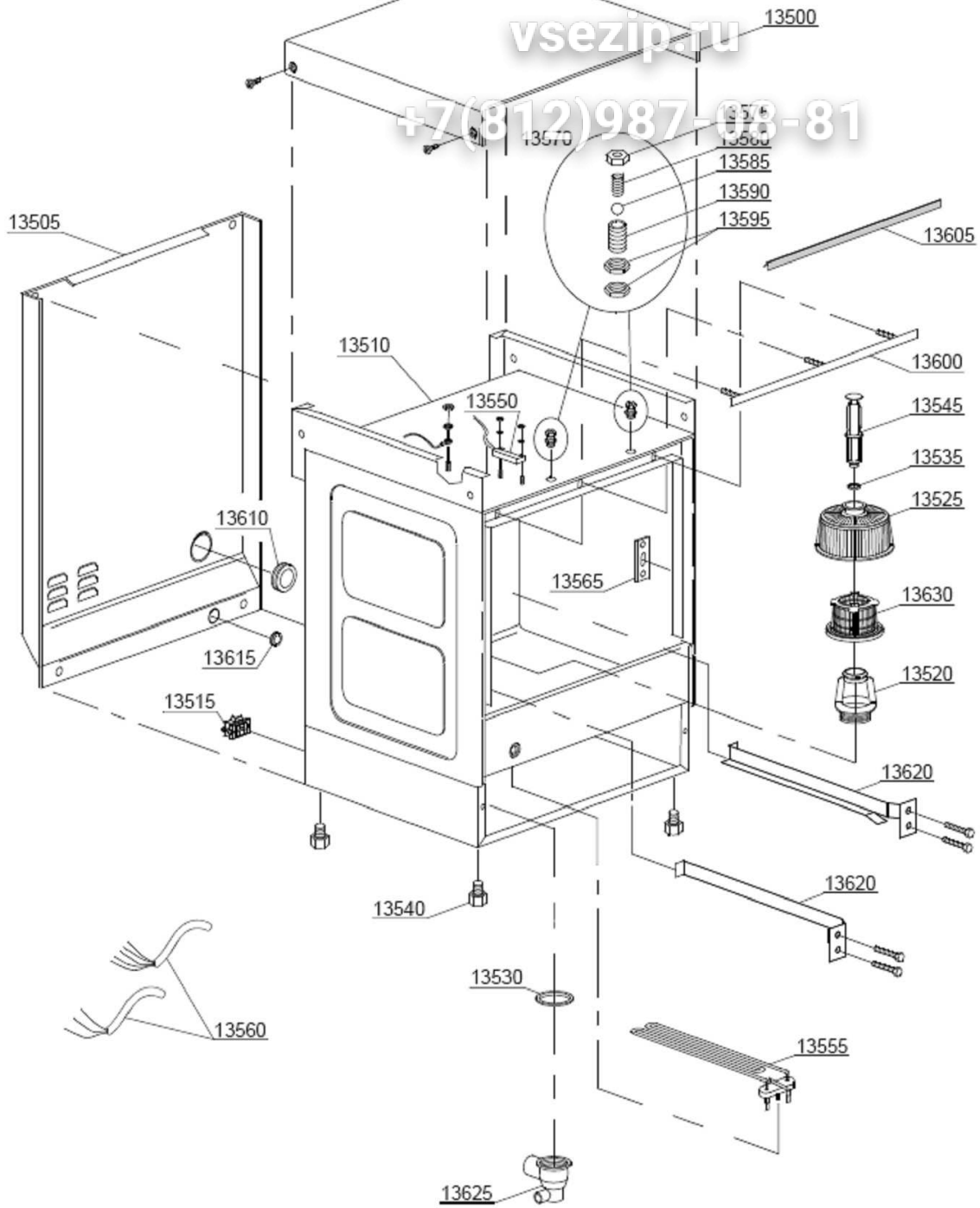
**KN50**

**Edition 20090501-**

Зип Общепит

vsezip.ru

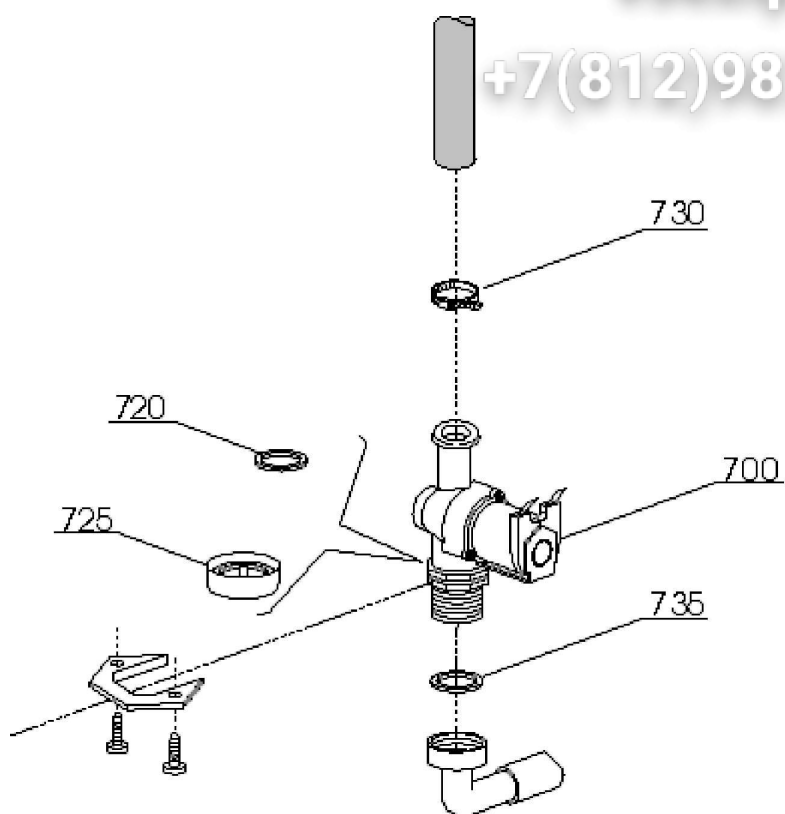
+7(812)987-08-81



Зип Общепит

vsezip.ru

+7(812)987-08-81

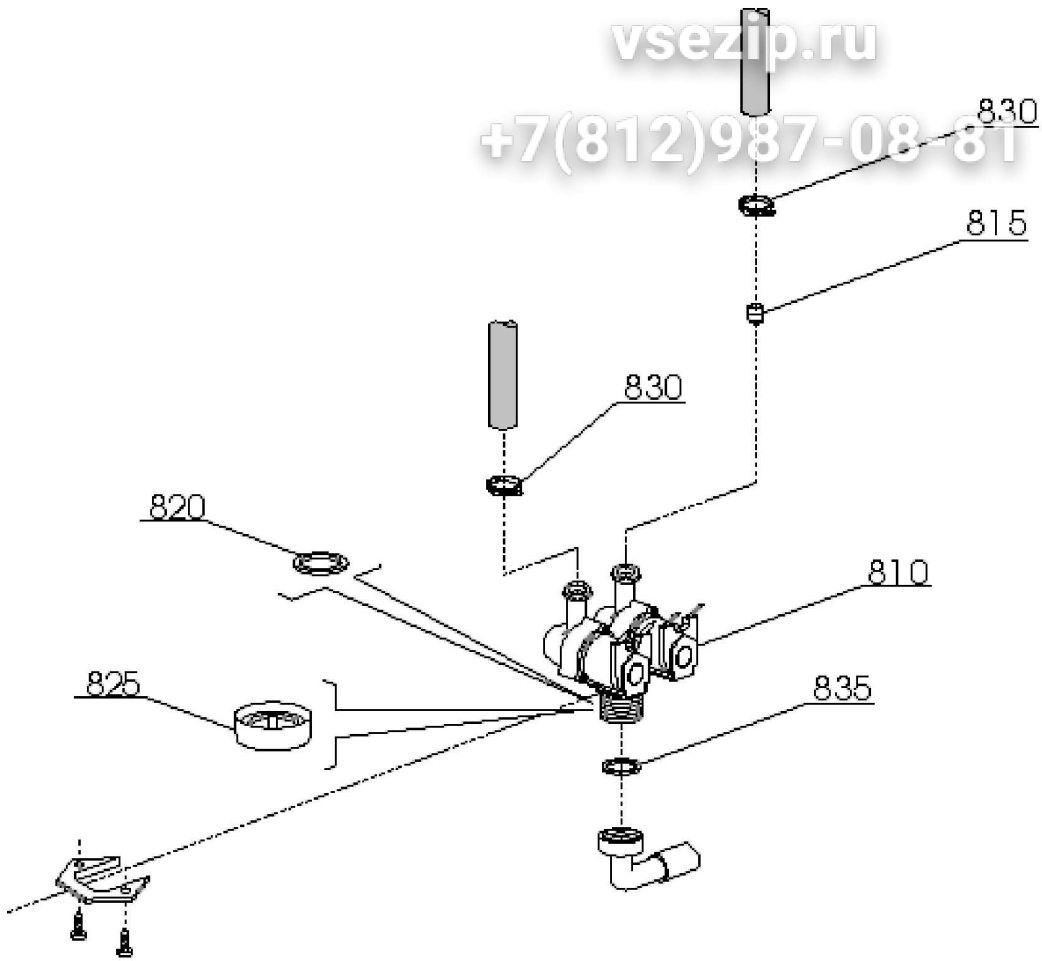


05\_002\_ε

Зип Общепит

vsezip.ru

+7(812)987-08-81

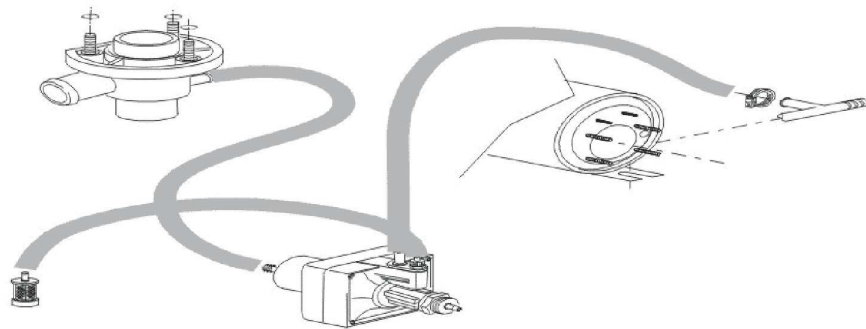
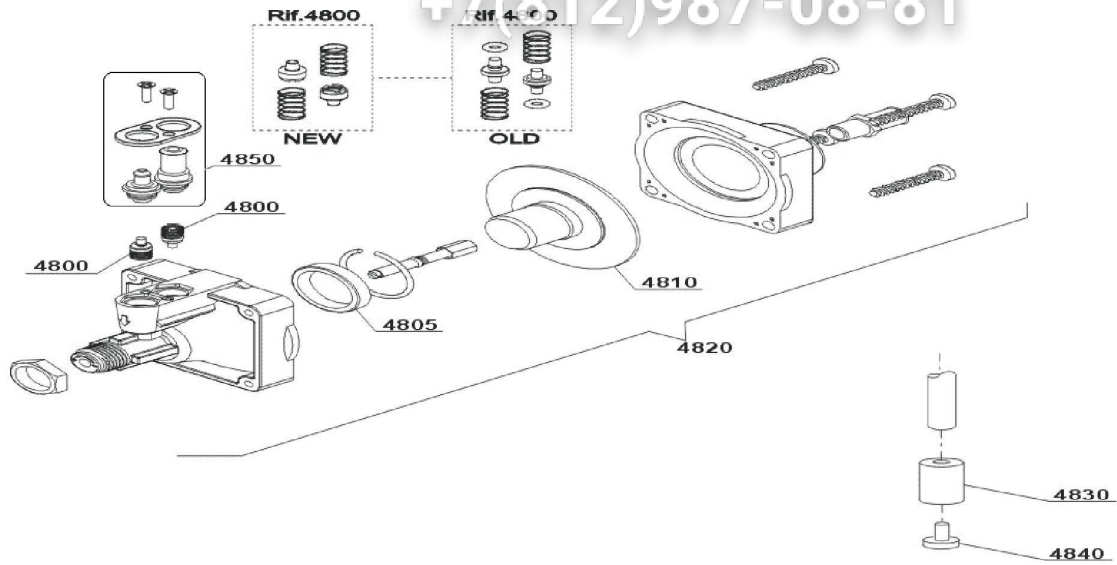


05\_003\_e

Зип Общепит

vsezip.ru

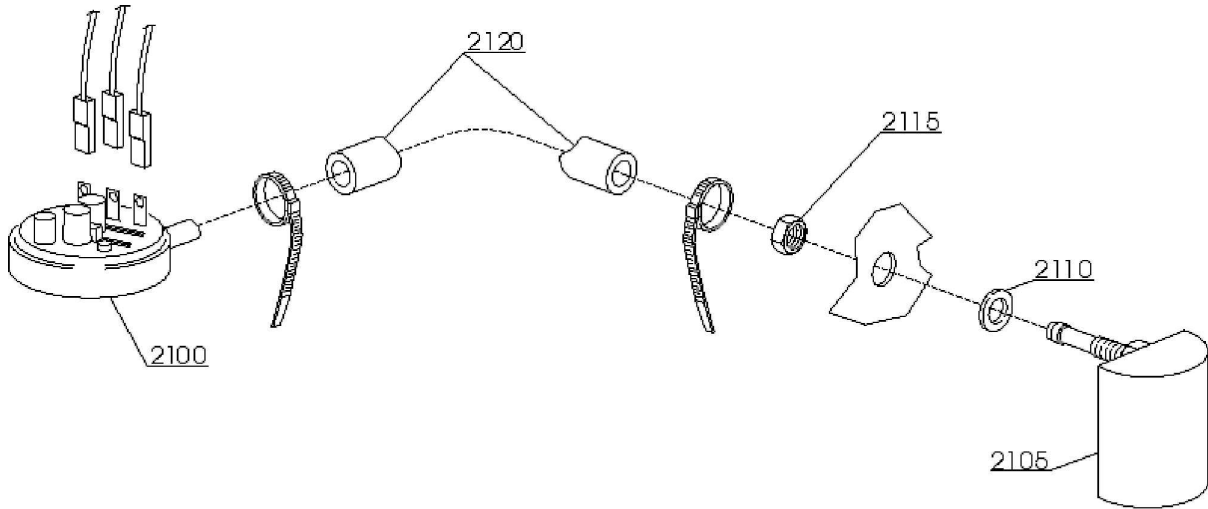
+7(812)987-08-81



Зип Общепит

vsezip.ru

+7(812)987-08-81

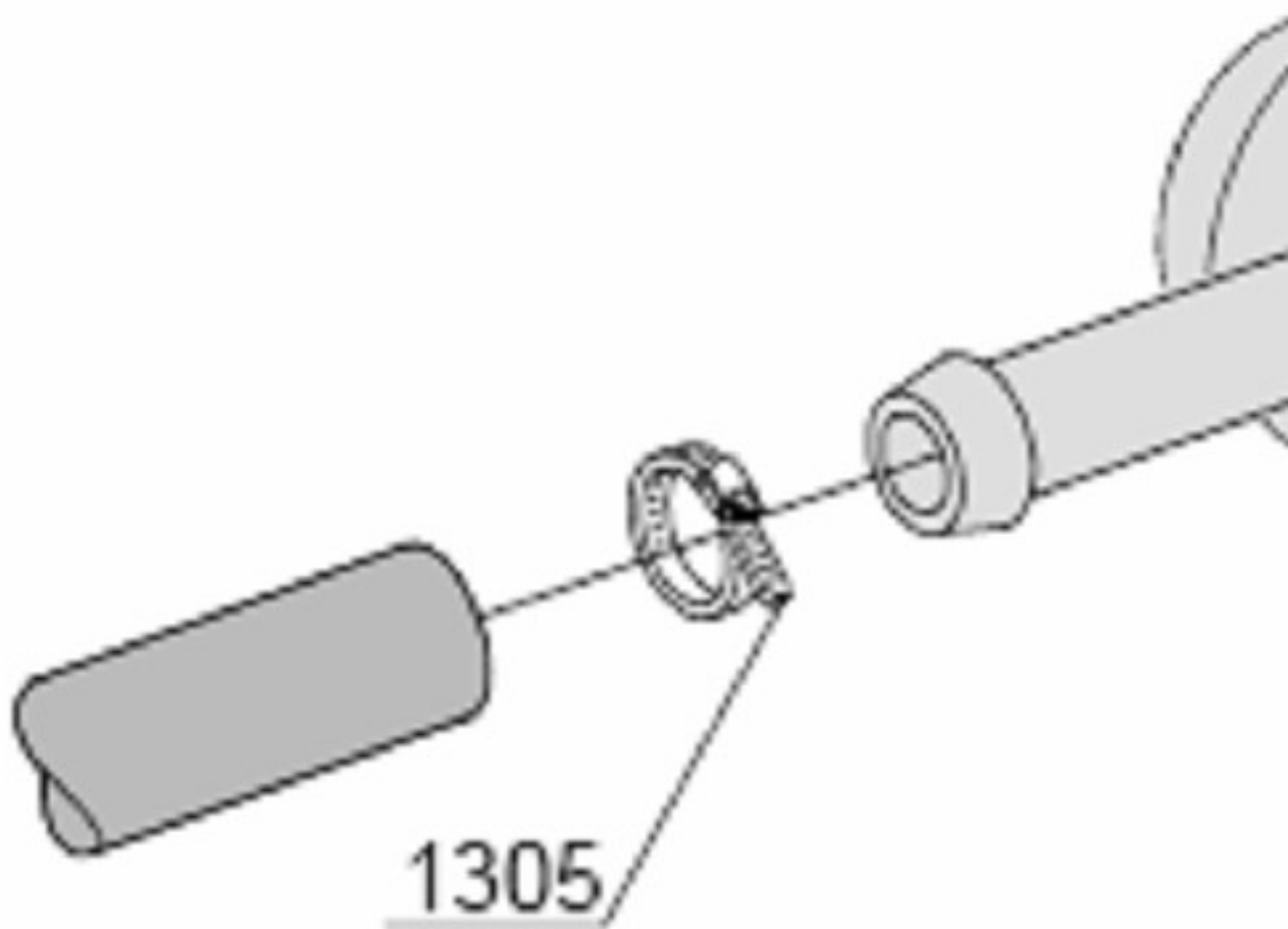


16\_001\_e

Зип Общепит

vsezip.ru

+7(812)987-08-81



**Зип Общепит**

**vsezip.ru**

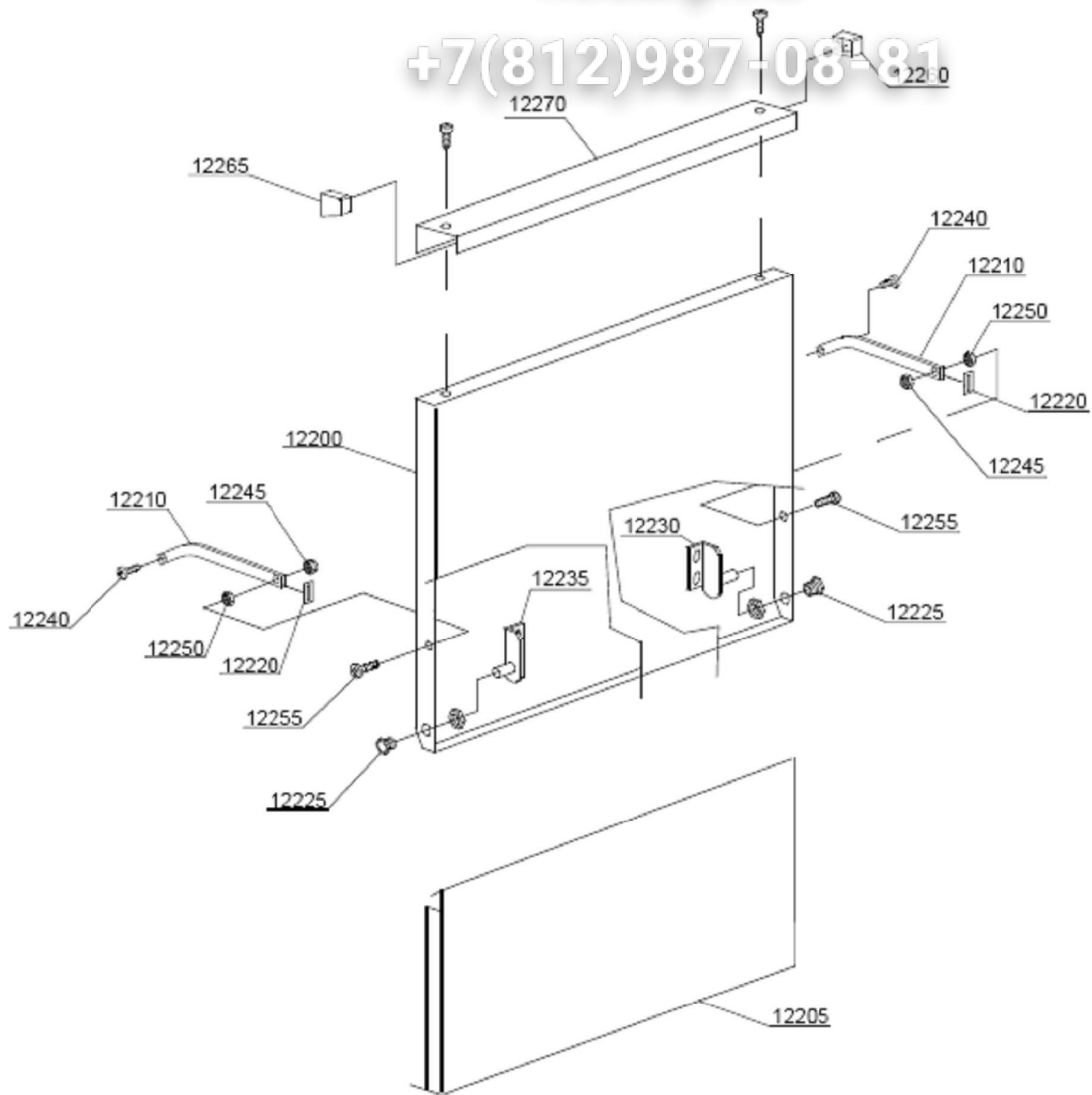
**+7(812)987-08-81**



Зип Общепит

vsezip.ru

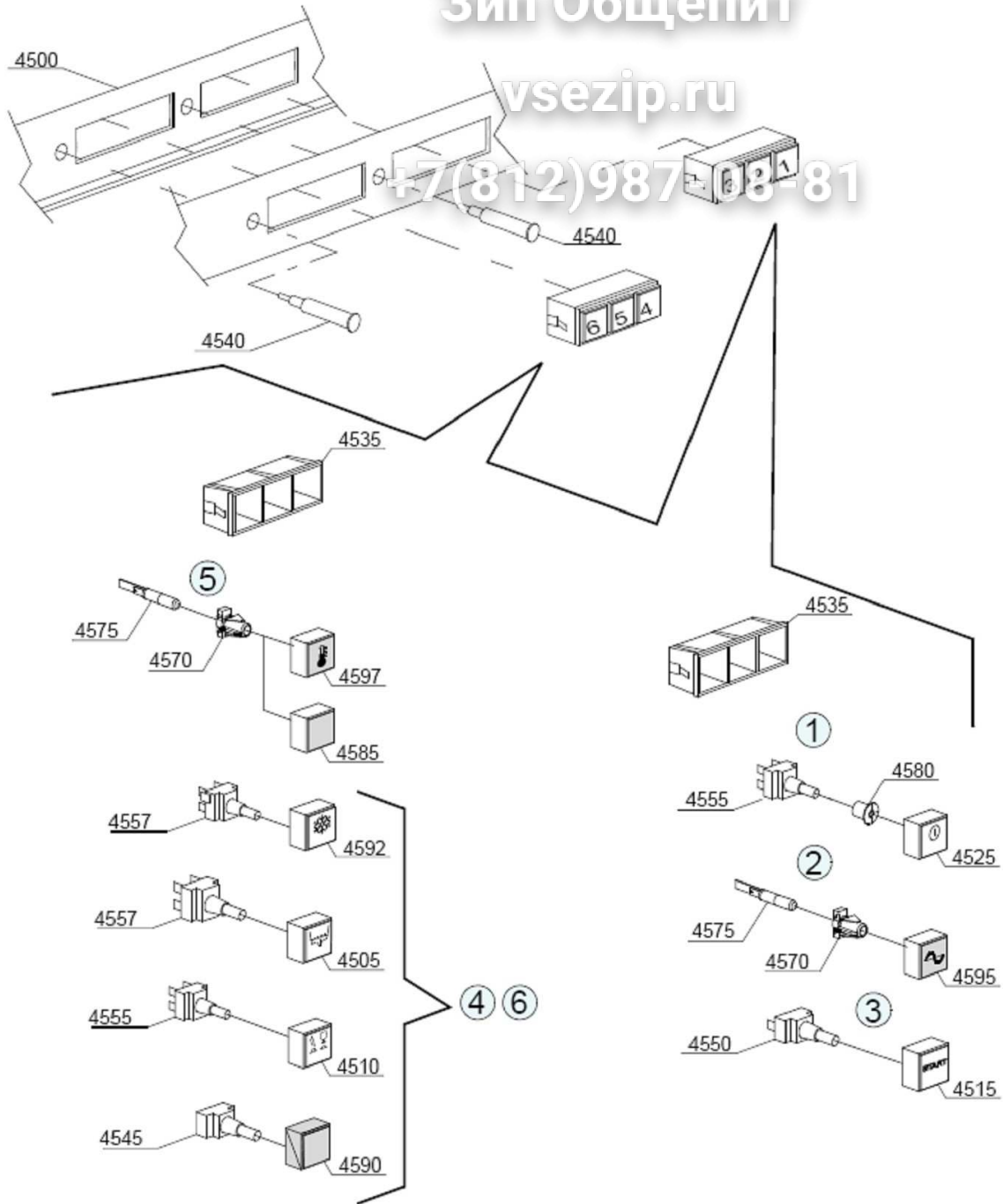
+7(812)987-08-81



Зип Общепит

vsezip.ru

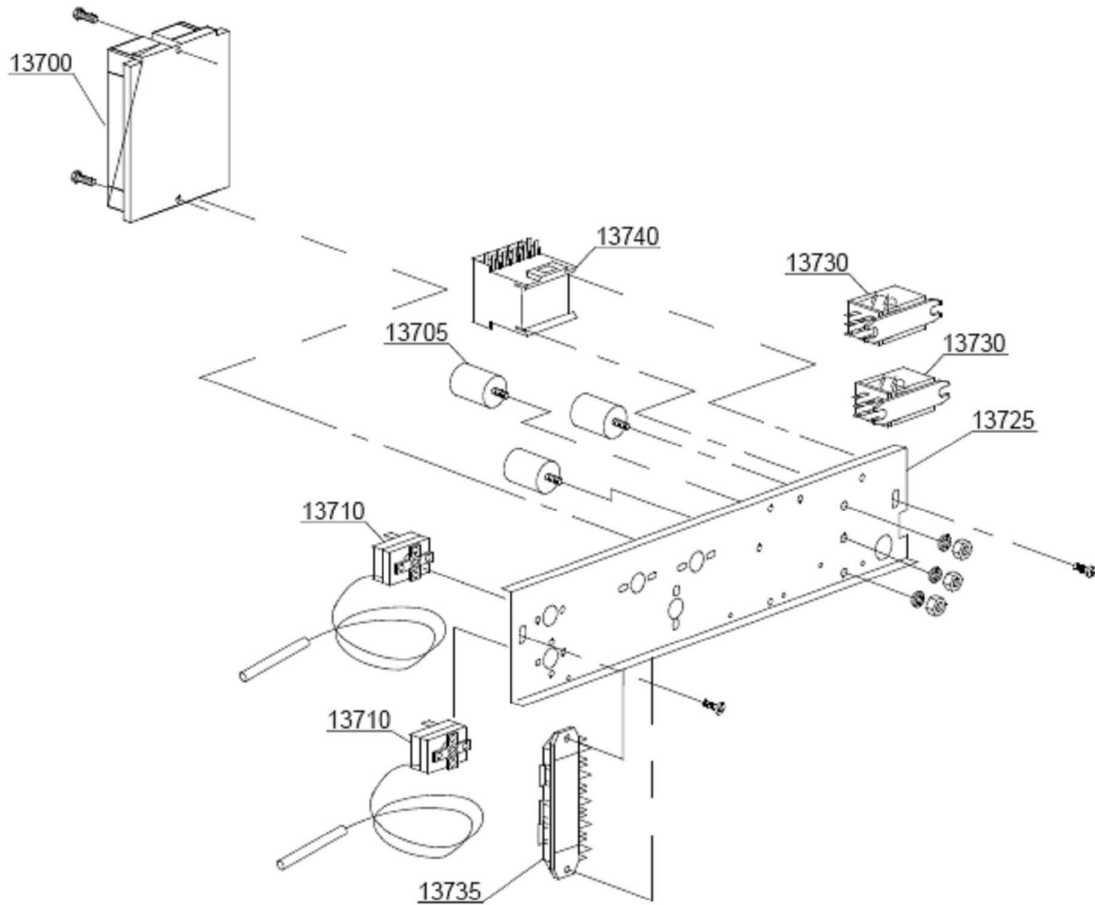
+7(812)987-08-81



Зип Общепит

vsezip.ru

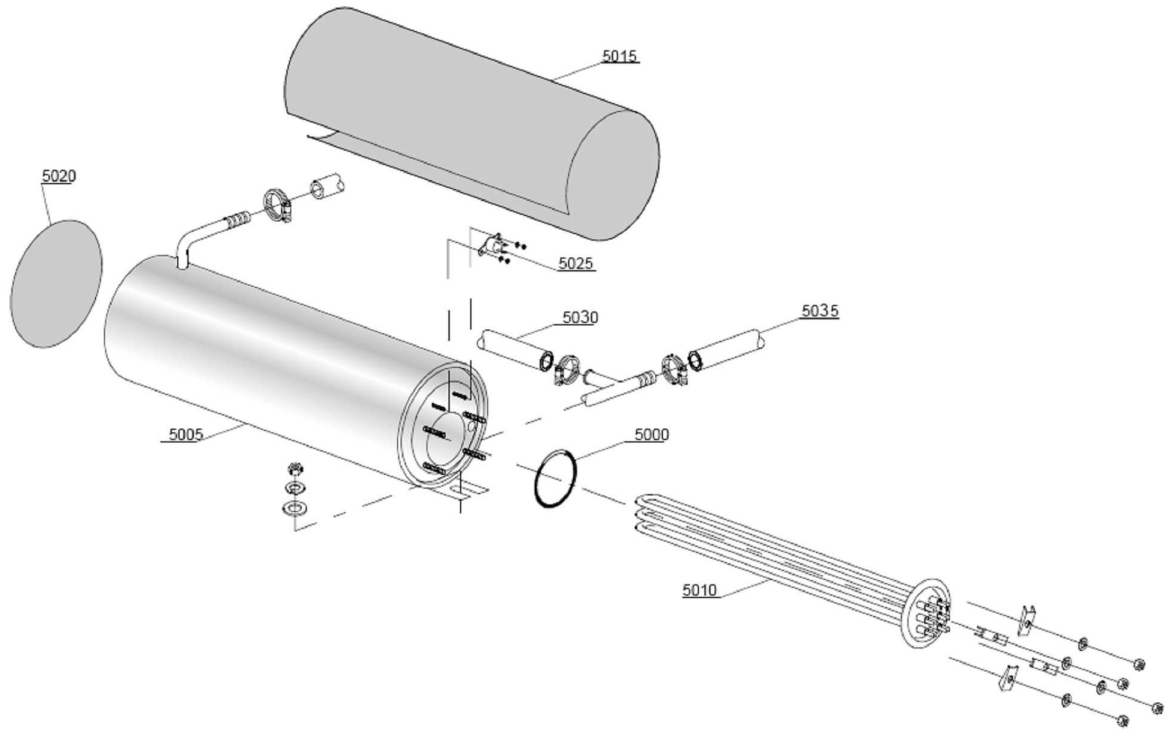
+7(812)987-08-81



Зип Общепит

vsezip.ru

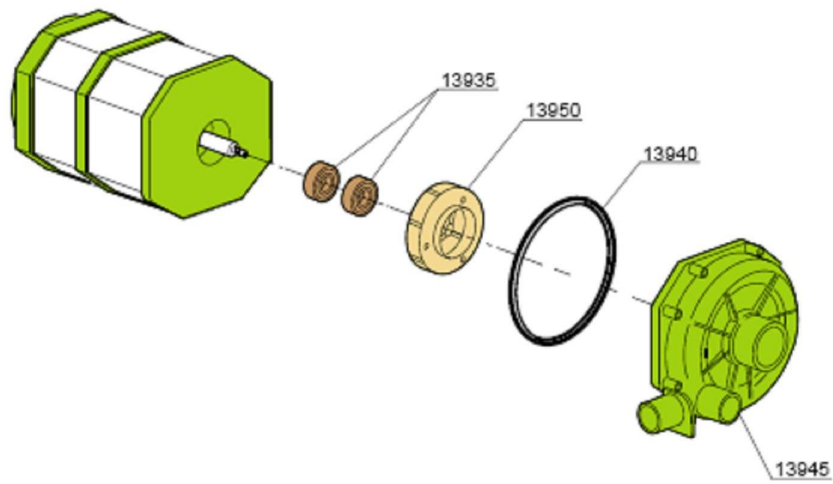
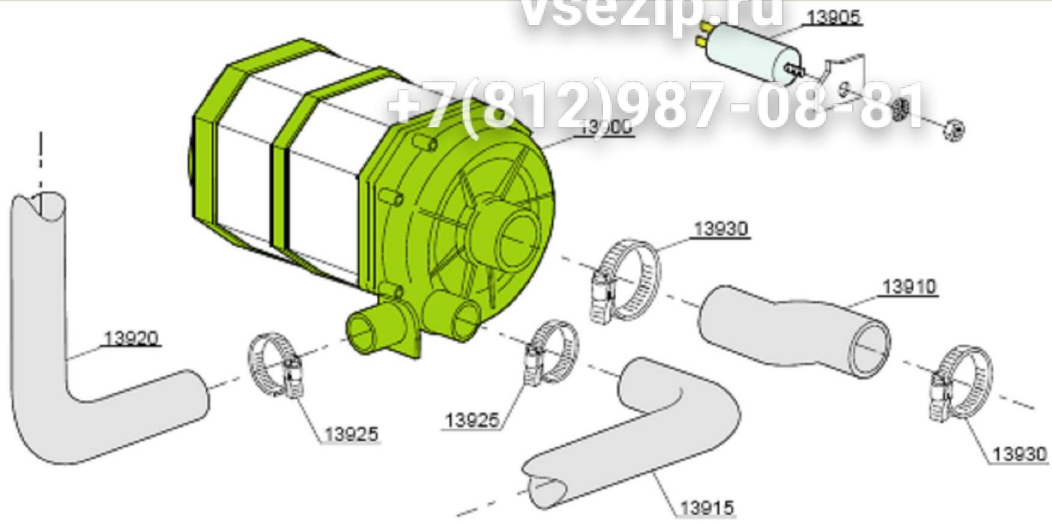
+7(812)987-08-81



Зип Общепит

vsezip.ru

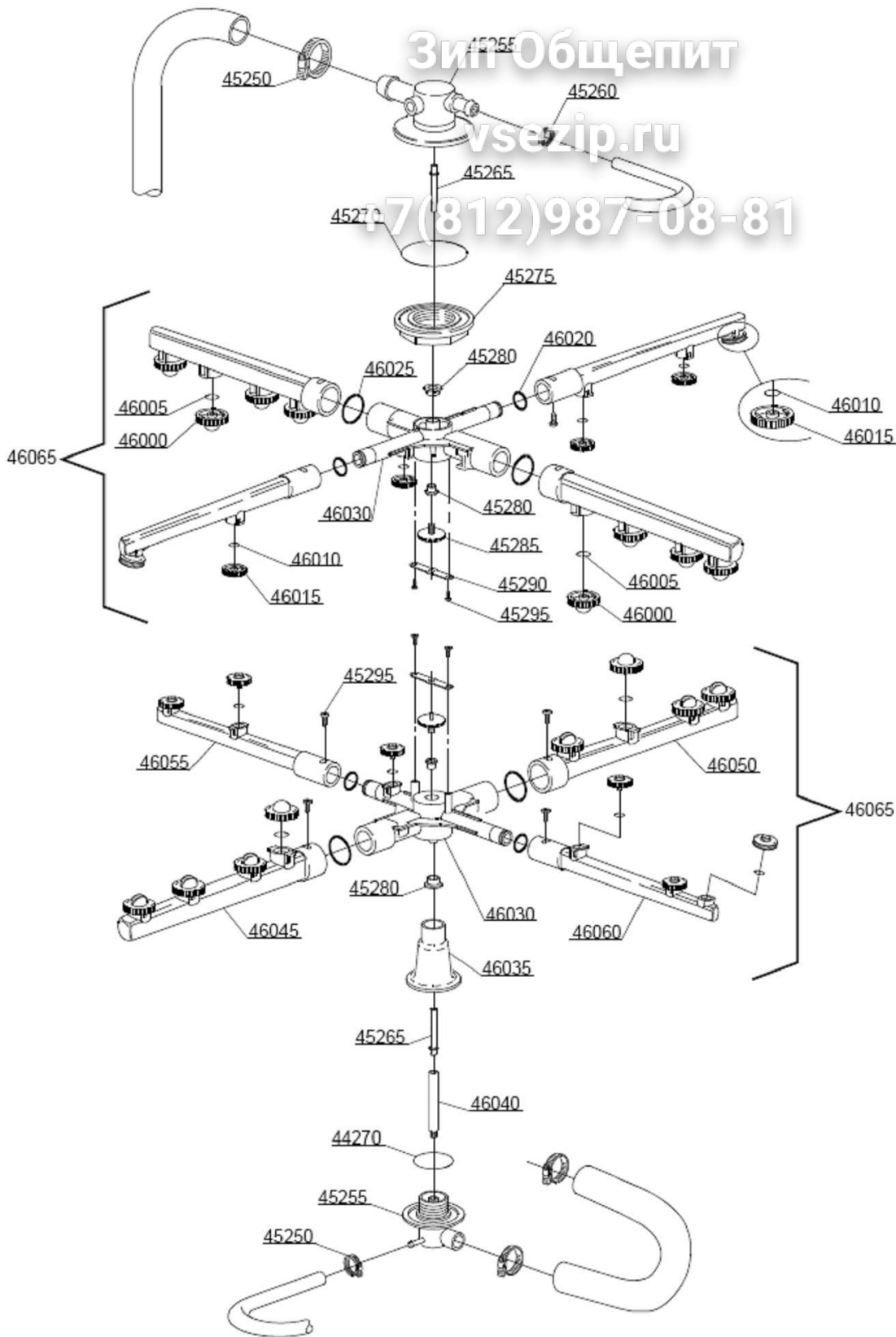
+7(812)987-08-81



Зип-Общепит

vsezip.ru

7(812)987-08-81



Page	Pos	Code	Description	Info
002	13500	3273840	Cover	01/05/2009-
002	13505	KN50-Pos.13505	Back panel	01/05/2009-
002	13510	KN50-Pos.13510	Body	01/05/2009-
002	13515	32D1850	Cable-fastener with screw	01/05/2009-
002	13520	3273650	Ferrule with filter	01/05/2009-
002	13525	30Q3250	Suction filter	01/05/2009-
002	13530	37Q5100	95x75x3 gasket	01/05/2009-
002	13535	37Q5140	DEM 40 gasket	01/05/2009-
002	13540	3191860	Foot	01/05/2009-
002	13545	33D3350	Overflow pipe	01/05/2009-
002	13550	3246750	Reed magnet	01/05/2009-
002	13555	32G3360	HEATING 2,7 Kw	01/05/2009-
002	13560	KN50-Pos.13560	3x2,5x2500 cable	01/05/2009-
002	13560	KN50-Pos.13560	3x4x2500 cable	01/05/2009-
002	13560	KN50-Pos.13560	5x2,5x2500 cable	01/05/2009-
002	13560	KN50-Pos.13560	4x4x2500 cable	01/05/2009-
002	13560	KN50-Pos.13560	3x2,5x3300 cable	01/05/2009-
002	13565	3030750	Door rod slide	01/05/2009-
002	13570	KN50-Pos.13570	Door jack assembly	01/05/2009-
002	13575	KN50-Pos.13575	Door jack locknut	01/05/2009-
002	13580	KN50-Pos.13580	Spring for door hook	01/05/2009-
002	13585	KN50-Pos.13585	Sphere for door hook	01/05/2009-
002	13590	KN50-Pos.13590	Door jack body	01/05/2009-
002	13595	KN50-Pos.13595	Door jack nut	01/05/2009-
002	13600	KN50-Pos.13600	Door O-ring angular	01/05/2009-
002	13605	3025410	Door O-ring	01/05/2009-
002	13610	KN50-Pos.13610	O40mm fairlead	01/05/2009-
002	13615	KN50-Pos.13615	O13mm fairlead	01/05/2009-
002	13620	KN50-Pos.13620	Right/left internal slide	01/05/2009-
002	13625	33M1810	Right side scrap tray	01/05/2009-
002	13630	3191850	Interior filter with rack	01/05/2009-
003	700	33D3260	Single solenoid valve	01/10/2003-
003	720	KN50-Pos.720	Pression reducing valve	01/10/2003-
003	725	15315	Red pression reducing valve support	01/10/2003-
003	730	3140230	12/20 PIPE CLAMP	01/10/2003-
003	735	KN50-Pos.735	3/4 gasket	01/10/2003-
004	810	33D3250	Double solenoid valve - O10	01/10/2003-
004	815	KN50-Pos.815	Green pression solenoid valve	01/10/2003-
004	820	KN50-Pos.820	Pression reducing valve	01/10/2003-
004	825	33A2090	Red pression reducing valve	01/10/2003-
004	830	3140230	12/20 PIPE CLAMP	01/10/2003-
004	835	KN50-Pos.835	3/4 gasket	01/10/2003-
005	4800	3023040	Tecnopro dosing valve	01/07/2003-
005	4805	3024680	O22 gasket	01/07/2003-
005	4810	3206600	Membrane	01/07/2003-
005	4820	33D3240	3 out shining product dosing d	01/07/2003-
005	4830	36H1500	Counter-weight	01/07/2003-
005	4840	30Q3210	Small filter	01/07/2003-
005	4850	3187520	Flexible-pipe holder	01/07/2003-
006	2100	32V7060	47-27 pressure switch	01/09/2005-
006	2105	33D3310	Air trap assembly	01/09/2005-

Page	Pos	Code	Description	Info
006	2110	37Q5130	Gasket	01/09/2005-
006	2115	33Q6470	M8 stainless steel nut	01/09/2005-
006	2120	3036160	4,5X9 EPDM rubber pipe	01/09/2005-
007	1300	33D2100	SAFETY VALVE	01/03/2008-
007	1305	3140230	12/20 PIPE CLAMP	01/03/2008-
008	30800	33Q6520	O12 mm plastic 3 ways derivati	01/03/2008-
008	30805	3140230	12/20 PIPE CLAMP	01/03/2008-
009	12200	KN50-Pos.12200	Door	01/05/2009-
009	12205	3273050	Lower door	01/05/2009-
009	12210	3177400		01/05/2009-
009	12220	3177410	Hinge door seal	01/05/2009-
009	12225	3075230		01/05/2009-
009	12230	3075240		01/05/2009-
009	12235	3075250		01/05/2009-
009	12240	3081410	M4x10 TCB Inox screw	01/05/2009-
009	12245	KN50-Pos.12245	Nut	01/05/2009-
009	12250	KN50-Pos.12250	M6 stainless steel nut	01/05/2009-
009	12255	3177420	SCREW	01/05/2009-
009	12260	3244160	Right door plug	01/05/2009-
009	12265	3244170	Left door plug	01/05/2009-
009	12270	3244180	Inox handle	01/05/2009-
010	4500	KN50-Pos.4500	Control panel	01/05/2009-
010	4505	3040840	Green drain pump key	01/05/2009-
010	4505	3273340	Blu drain pump key	01/05/2009-
010	4515	KN50-Pos.4515	Blu start key	01/05/2009-
010	4515	3063320	Green start key	01/05/2009-
010	4515	3273760	Yellow start key	01/05/2009-
010	4525	KN50-Pos.4525	Blu ON-OFF key	01/05/2009-
010	4525	KN50-Pos.4525	Yellow ON-OFF key	01/05/2009-
010	4525	32W4260	Green ON-OFF key	01/05/2009-
010	4535	KN50-Pos.4535	Square black triple support	01/05/2009-
010	4535	36U0870	Square grey triple support	01/05/2009-
010	4540	32W4230	Pilot light	01/05/2009-
010	4545	KN50-Pos.4545	Push button support	01/05/2009-
010	4550	3040850	16A unipolar push button	01/05/2009-
010	4555	32W4150	16A SWITCH ONLY	01/05/2009-
010	4557	3242340	16A bipolar switch	01/05/2009-
010	4570	36U0850	Pilot light support	01/05/2009-
010	4575	32W4220	Pilot light	01/05/2009-
010	4580	33Q6440	Green-orange cam	01/05/2009-
010	4585	32W4160	Green gem	01/05/2009-
010	4590	36Q2060	Grey key	01/05/2009-
010	4592	KN50-Pos.4592	Yellow additional cold rinse push button	01/05/2009-
010	4592	KN50-Pos.4592	Blu additional cold rinse push button	01/05/2009-
010	4592	3025570	Green additional cold rinse key	01/05/2009-
010	4595	3025580	Green square cycle gem	01/05/2009-
010	4597	3065830	Green square temperature gem	01/05/2009-
011	13700	3022640	ELECTRONICTIMER	01/05/2009-
011	13705	32V7020	Low noise filter	01/05/2009-
011	13710	32V7240	0-90°C thermostat	01/05/2009-
011	13725	KN50-Pos.13725	Electric components panel	01/05/2009-



Page	Pos	Code	Description	Info
011	13730	32V7100	Bipolar relay in deviation	01/05/2009-
011	13735	32D1860	6 poles terminal board	01/05/2009-
011	13735	KN50-Pos.13735	3 poles terminal board	01/05/2009-
011	13740	32V7170	Remote control switch 230V 50/	01/05/2009-
011	13740	32V7200	25A/12A remote control switch	01/05/2009-
011	13740	32V7210	36A/20A contactor -	01/05/2009-230V 50/60
012	5000	37Q5190	OR 151 NBR gasket	01/05/2009-
012	5005	34A2570	Boiler	01/05/2009-
012	5010	32G3390	HEATING EL.	01/05/2009-
012	5015	3177980	Insulating boiler	01/05/2009-
012	5020	3177990	Ø160 bottom	01/05/2009-
012	5025	32V7250	Safety thermostat	01/05/2009-
012	5030	3022330	PIPE	01/05/2009-
012	5035	3174950		01/05/2009-
013	13900	KN50-Pos.13900	0,70Hp wash pump - 230Vac 60Hz	01/05/2009-
013	13900	3022650	WASHING PUMP	01/05/2009-
013	13905	32V7000	12,5 uF condenser	01/05/2009-
013	13910	3022660	Suction pipe coupling	01/05/2009-
013	13915	3245820	Lower wash pipe coupling	01/05/2009-
013	13920	3022670	Wash ramp	01/05/2009-
013	13925	3223050	25/40 clamp	01/05/2009-
013	13930	KN50-Pos.13930	30/45 clamp	01/05/2009-
013	13935	3036790	ROTATING SEALS	01/05/2009-
013	13940	3025600	O RING	01/05/2009-
013	13945	3240520	Scroll	01/05/2009-
013	13950	3025590	Pump rotor	01/05/2009-
014	45250	3223050	25/40 clamp	01/05/2009-
014	45255	33Q6680	Top/lower turret	01/05/2009-
014	45260	KN50-Pos.45260	12/22 clamp	01/05/2009-
014	45265	33Q6390	O10x51 lower/top rinse axle	01/05/2009-
014	45270	37Q5260	6225 OR 160 NBR gasket	01/05/2009-
014	45275	3036900	RING NUT FOR FIXING TURRET	01/05/2009-
014	45280	3120240	WASHER	01/05/2009-
014	45285	33Q6710	SCREW	01/05/2009-
014	45290	35Y6030	Blocking ring nut rotor plaque	01/05/2009-
014	45295	KN50-Pos.45295	4x10 TCB O8 spax toothed screw	01/05/2009-
014	46000	3040900	OPENED HEAD WASH NOZZLE 3,5	01/05/2009-
014	46005	3045420	OR 2050 NBR gasket	01/05/2009-
014	46010	3035830	OR R6 NBR gasket	01/05/2009-
014	46015	3035840	OPENED HEAD RINSE	01/05/2009-
014	46020	3035830	NOZZLE OR R6 NBR gasket	01/05/2009-
014	46025	3197840	OR gasket 2081	01/05/2009-
014	46030	3191880	Under / upper turret wash rotor	01/05/2009-
014	46035	33M1760	Lower pipe coupling	01/05/2009-
014	46040	KN50-Pos.46040	Lower rinse axle	01/05/2009-
014	46045	3191930	Left wash pipe	01/05/2009-
014	46050	3191940	Right wash pipe	01/05/2009-
014	46055	3191950	Right rinse arm	01/05/2009-
014	46060	3191960	Left rinse arm	01/05/2009-
014	46065	3213890	Grey wash/rinse lower/upper distributor	01/05/2009-